

## ASSEMBLY INSTRUCTIONS



**+ Do Not Use Power Tools**



**+ Suggested Adults**



**NOTE:**

- 1 Read instructions cover to cover.
- 2 Save all packaging until assembly is completed.

**1 IMPORTANT SAFETY INFORMATION**

**Do not** assemble the product if any of the following parts arrived damaged:

- Part 1 -Chair Seat
- Part 2 -Base

**Do not** assemble if any of the following Hardware parts are missing:

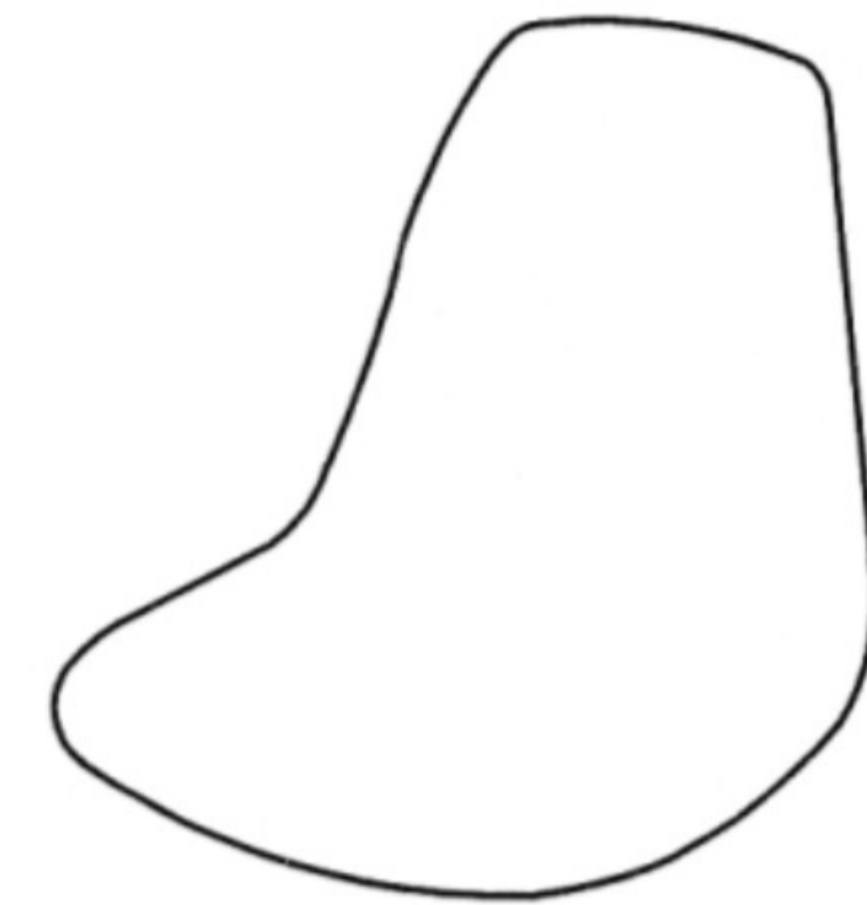
- Part A -Bolt
- Part B -Bolt
- Part C -Screw
- Part D -Allen Key

**2 IMPORTANT ASSEMBLY INFORMATION**

**Assembly Step** If loosening persists, please make sure to tighten all the bolts periodically, or use a thread locker adhesive.

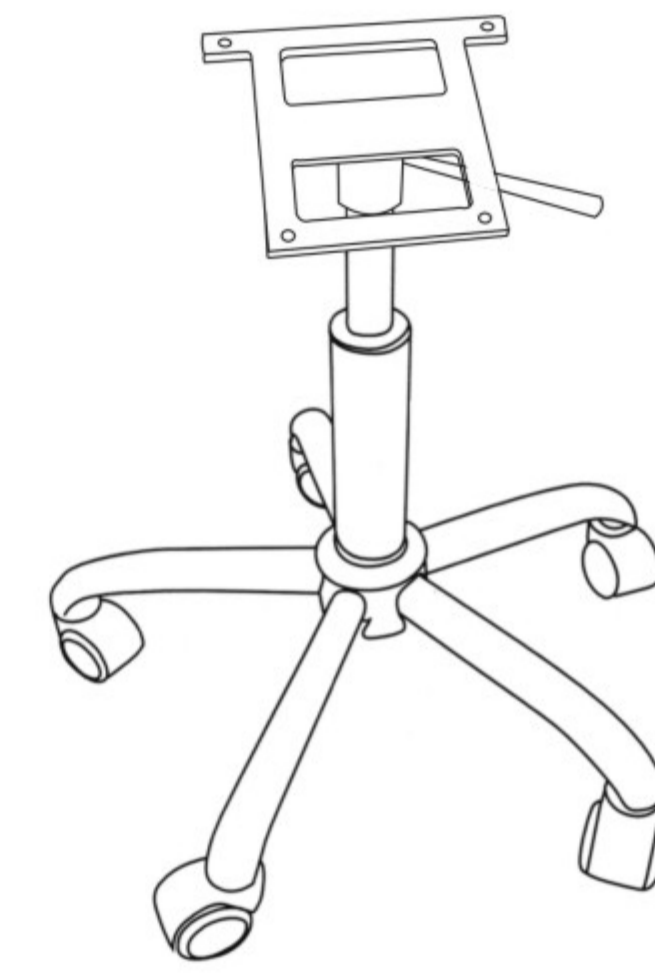
**+ Parts Included**

①



1PC

②



1PC

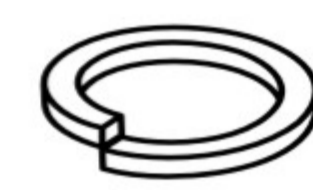
**+ Hardware Included**

A



4PCS

B



4PCS

C



4PCS

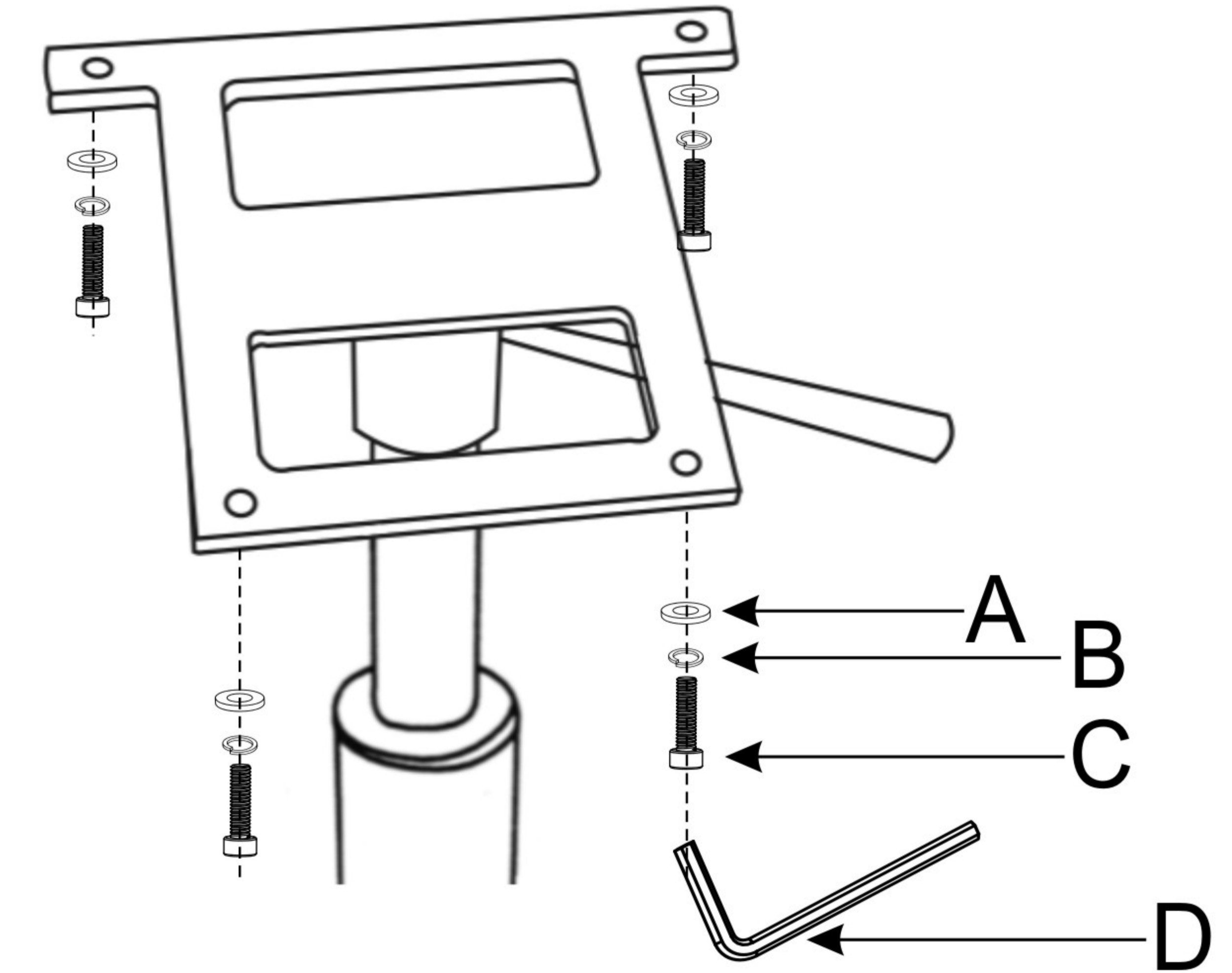
D



1PC

## ASSEMBLY INSTRUCTIONS

1



2

