

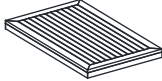
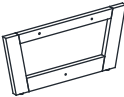




PREPARATION

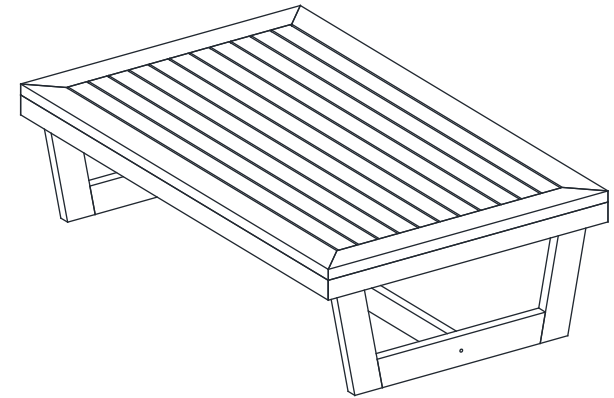
- * Before beginning assembly of product, make sure all parts are present. Compare parts with part contents list and hardware contents list.
- * If any part is missing or damaged, do not attempt to assemble the product.
- * Estimated Assembly Time: 10 minutes.
- * Tools Required for Assembly (included): Allen Key

CARE AND MAINTENANCE

Insert Care and Maintenance here

Part List and Hardware List

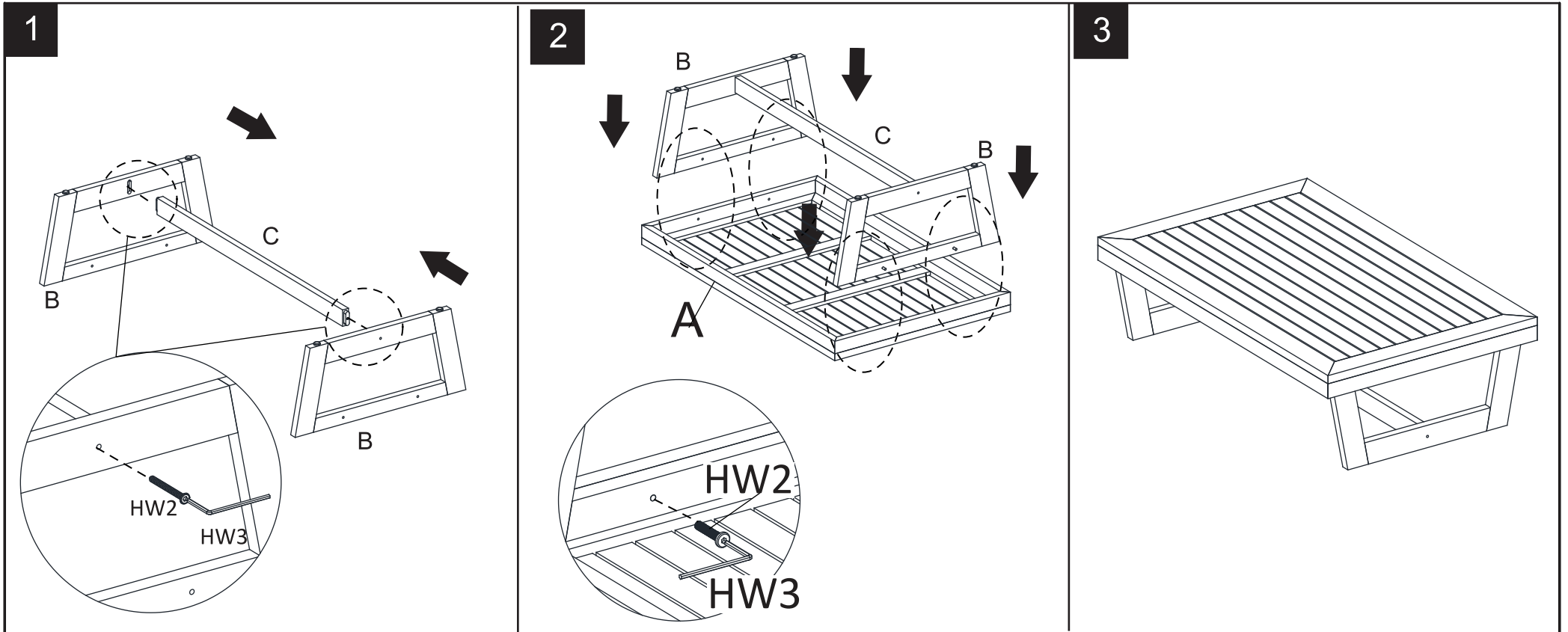
PIECE	DESCRIPTION	PICTURE	QUANTITY
A	Table Top		1X
B	Leg panel		2X
C	Cross Bar		1X
HW1	Allen Bolt: M6x0.5x35 mm	 M6 x 35	4X
HW2	Screw: M6 x0.5 x60 mm	 M6x60	2X
HW3	Allen key	 LG4	1X



Weight Capacity :40 Ibs
Warning : Do not stand on Table
Warning : Do not over torque bolts / screws

PREPARATION

- *Before beginning assembly of product, make sure all parts are present. Compare parts with package contents list and hardware contents list.
- *If any part is missing or damaged, do not attempt to assemble the product.
- * Estimated Assembly Time : 10 minutes.
- * Tools Reuired for Assemblv (included): Allen Kev



Step 1

Attach Leg Panel (B) to Cross Bar (C) ,
Use Screw (HW2) tighten with allen key (HW3).

Step 2

Place Table Top(A) facedown as shown above
Secure Support Bar(C) and Leg Panel(B) to Table Top(A)
by using Bolt(HW2) with Allen Key(HW3).

Step 3

Caution: This Table can only be used on
a flat, level surface