

MODERN SIDE TABLE

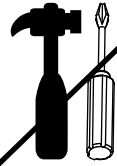
NEED HELP? For replacement requests or product inquiries, please contact our Customer Service Team by emailing us. Thank you for selecting!

00:10

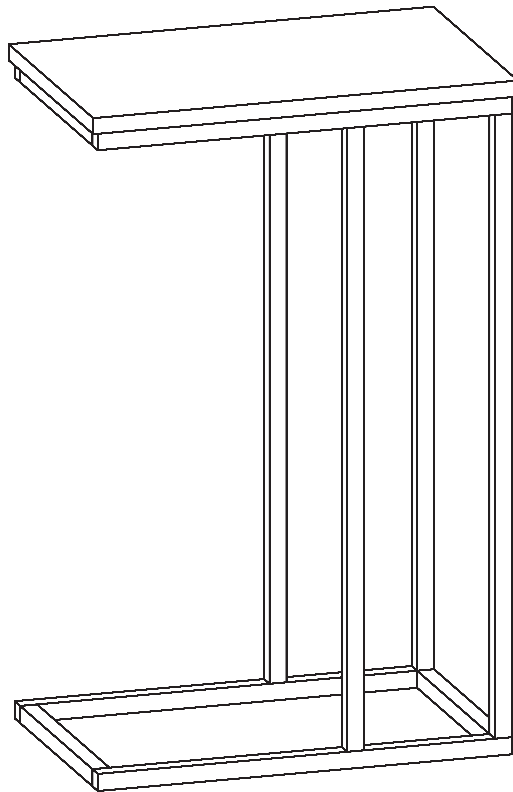
Approx. 10 minutes



1 Person Assembly

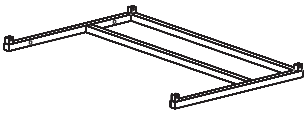
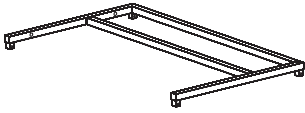

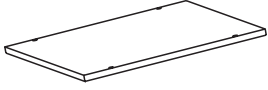
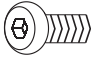




No Tools Required

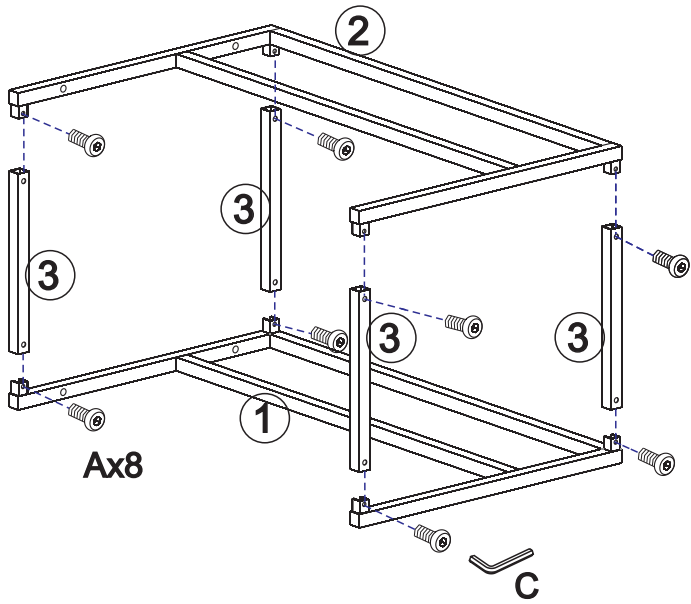


USEFUL HINTS BEFORE YOU START

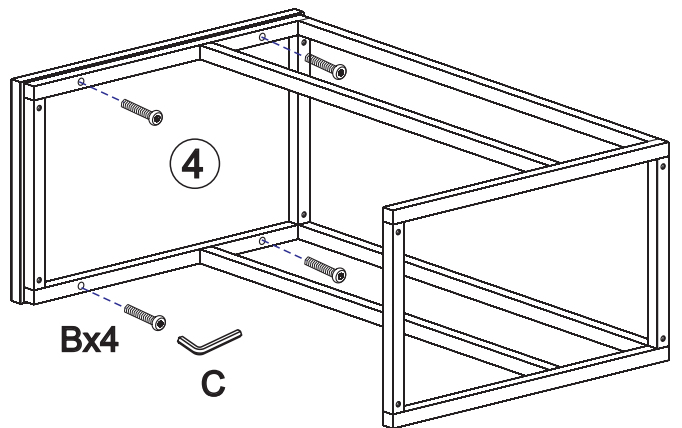
1. Read each step carefully before assembling.
2. It is important that each step is performed in correct order to avoid difficulties.
3. Identify, sort and count the parts before assembly.
4. Assemble your furniture on packaging cardboard to prevent scratch or damage.
5. Clean the product with mild cleanser using soft damped cloth.
Do not use harsh or abrasive cleanser.
6. Using incompatible hardware might cause damage to product.

1x1pc 	2x1pcs 	3x4pcs 	4x1pc 
Ax8pcs  M6X12	Bx4pcs  M6X25	Cx1pc 	

1



2



3

