

NOTICE

*Please make sure that you have all parts indicated and they are in good condition before you begin assembly of this item. Refer to part list and hardware list below for guidance.

*This item should be assembled on a soft surface to prevent scratching the finish during assembly.

*This item may require periodic tightening.

PREPARATION

* Before beginning assembly of product, make sure all parts are present. Compare parts with part contents list and hardware contents list.

* If any part is missing or damaged, do not attempt to assemble the product.

* Estimated Assembly Time: 10 minutes.

* Tools Required for Assembly (included): Allen Key

CARE AND MAINTENANCE

OUTDOOR FURNITURE CARE

Store outdoor furniture indoors or cover well when not in use. Remove wooden furniture from standing water.

Dust regularly with small brush or vacuum.

Spills should be taken care of immediately before they harden or stain with a slightly dampened sponge.

UPHOLSTERY CARE

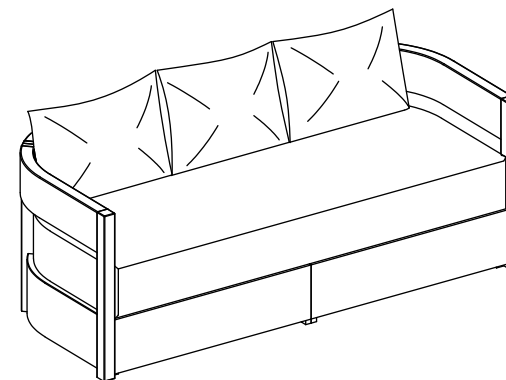
To prevent overall soiling, frequent vacuuming or light brushing is recommended. Cushions and pillows should be turned on a weekly basis.

Down-filled cushions should be brushed rather than vacuumed. Spot clean, using a mild water-free solvent or dry cleaning product. Only a professional cleaner should undertake a complete overall cleaning.

The use of steam or water-based cleaners may cause excessive shrinking or staining.

Owner Manual

Product Dimensions: 65.74" W x 29.13" D x 24.8" H





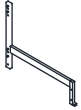
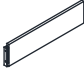






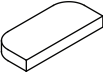

Weight Capacity :600 lbs

Warning : Do not stand on bench




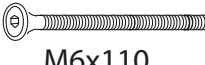




Warning : Do not over torque bolts / screws



Part List and Hardware List

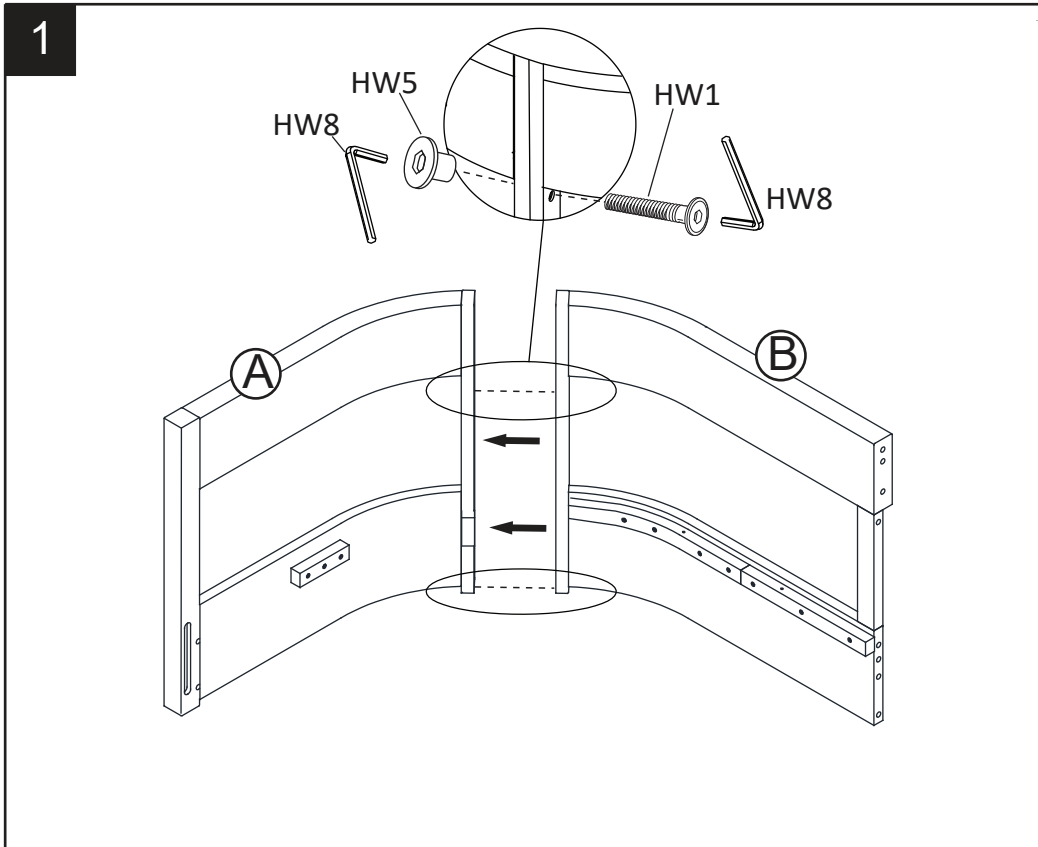
PIECE	DESCRIPTION	PICTURE	QUANTITY
A	Right Leg Panel		1X
B	Right Backrest Leg Panel		1X
C	Right Middle Leg Panel		1X
D	Right Support Bar		1X
E	Left Leg Panel		1X
F	Left Backrest Leg Panel		1X
G	Left Middle Leg Panel		1X
H	Left Support Bar		1X
I	Right Seat Cushion		1X
K	Right Seat Cushion		1X
CSH1	Seat Cushion		1X
CSH2	Back Cushion		3X

Part List and Hardware List

PIECE	DESCRIPTION	PICTURE	QUANTITY
HW1	Allen Bolt: M6x0.5x35 mm	 M6x35	6X
HW2	Allen Bolt: M6x0.5x45 mm	 M6x45	4X
HW3	Allen Bolt: M6x0.5x100 mm	 M6x100	2X
HW4	Allen Bolt: M6x0.5x110 mm	 M6x110	1X
HW5	Insert Nut	 M6x15	9X
HW6	Screws M6x0.5x35 mm	 M6x35	4X
HW7	Screws M6x0.5x60 mm	 M6x60	4X
HW8	Allen key	 LG4	2X

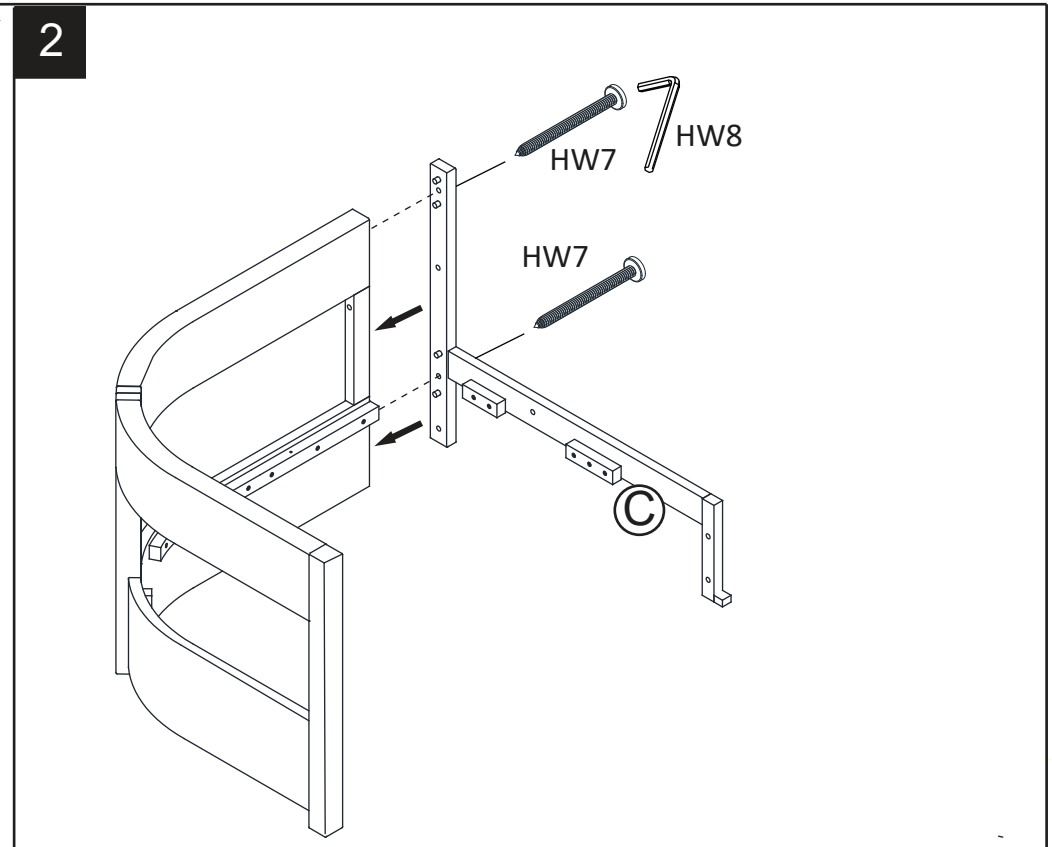
PREPARATION

- *Before beginning assembly of product, make sure all parts are present. Compare parts with package contents list and hardware contents list.
- *If any part is missing or damaged, do not attempt to assemble the product.
- * Estimated Assembly Time : 10 minutes.
- * Tools Required for Assembly (included): Allen Key
- * If you are having difficulty, our friendly Customer care team is always here to help.



Step 1

Attach the Right Leg Panel (A) to Right Backrest Leg Panel (B) using Bolts(HW1), Insert Nuts(HW5) and the Allen key (HW8) as shown above.

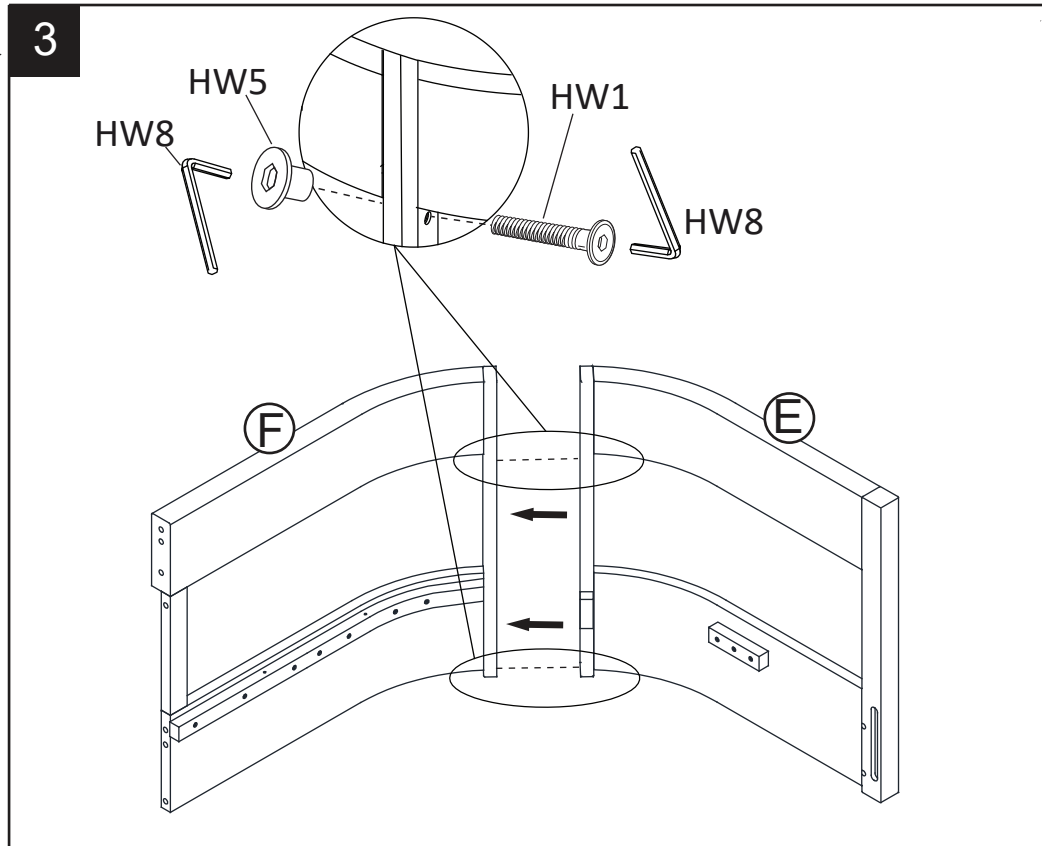


Step 2

Attach the Right Middle Leg Panel (C) to The Right Backrest Leg Panel (B). Using Screws (HW7) and the Allen key (HW8) as shown above.

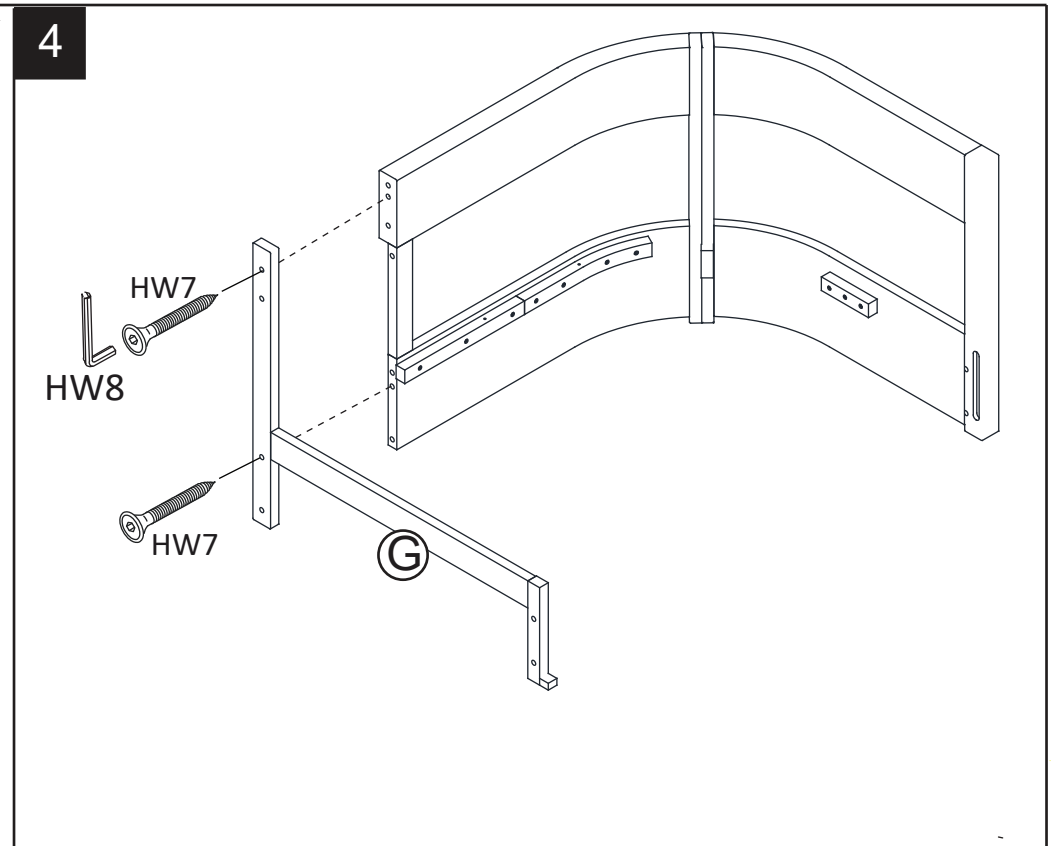
PREPARATION

- *Before beginning assembly of product, make sure all parts are present. Compare parts with package contents list and hardware contents list.
- *If any part is missing or damaged, do not attempt to assemble the product.
- * Estimated Assembly Time : 10 minutes.
- * Tools Required for Assembly (included): Allen Key
- * If you are having difficulty, our friendly Customer care team is always here to help.



Step 3

Attach the Left Leg Panel (E) to Left Backrest Leg Panel (F) using Bolts(HW1), Insert Nuts(HW5) and the Allen key (HW8) as shown above.



Step 4

Attach the Left Middle Leg Panel (G) to The Left Backrest Leg Panel (F). Using Screws (HW7) and the Allen key (HW8) as shown above.

PREPARATION

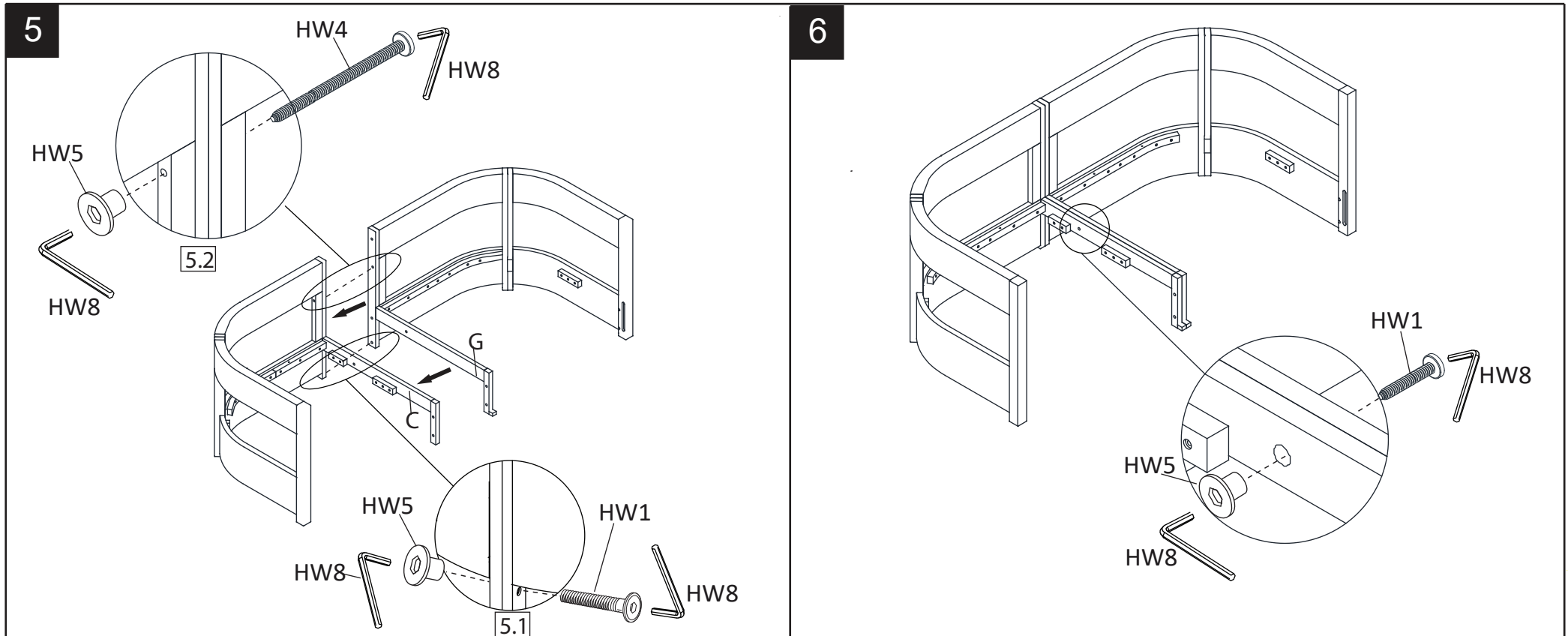
*Before beginning assembly of product, make sure all parts are present. Compare parts with package contents list and hardware contents list.

*If any part is missing or damaged, do not attempt to assemble the product.

* Estimated Assembly Time : 10 minutes.

* Tools Required for Assembly (included): Allen Key

* If you are having difficulty, our friendly Customer care team is always here to help.



Step 5

* 5.1 Attach the Right Middle Leg Panel (C) to Left Middle Leg Panel (G).
Using Bolts(HW1), Insert Nuts(HW5) and the Allen key (HW8) .
as shown above.

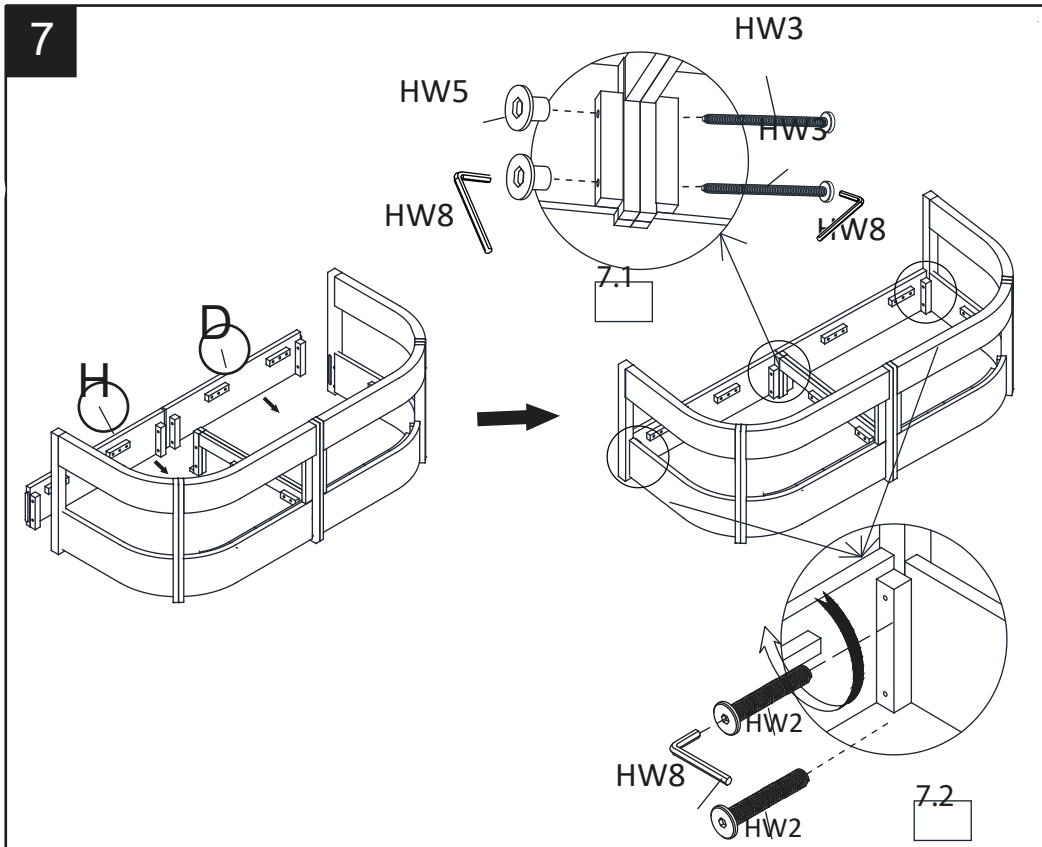
* 5.2 Using Bolts(HW4), Insert Nuts(HW5) and the Allen key (HW8) .
as shown above.

Step 6

Using Bolts(HW1), Insert Nuts(HW5) and the Allen key (HW8).
as shown above.

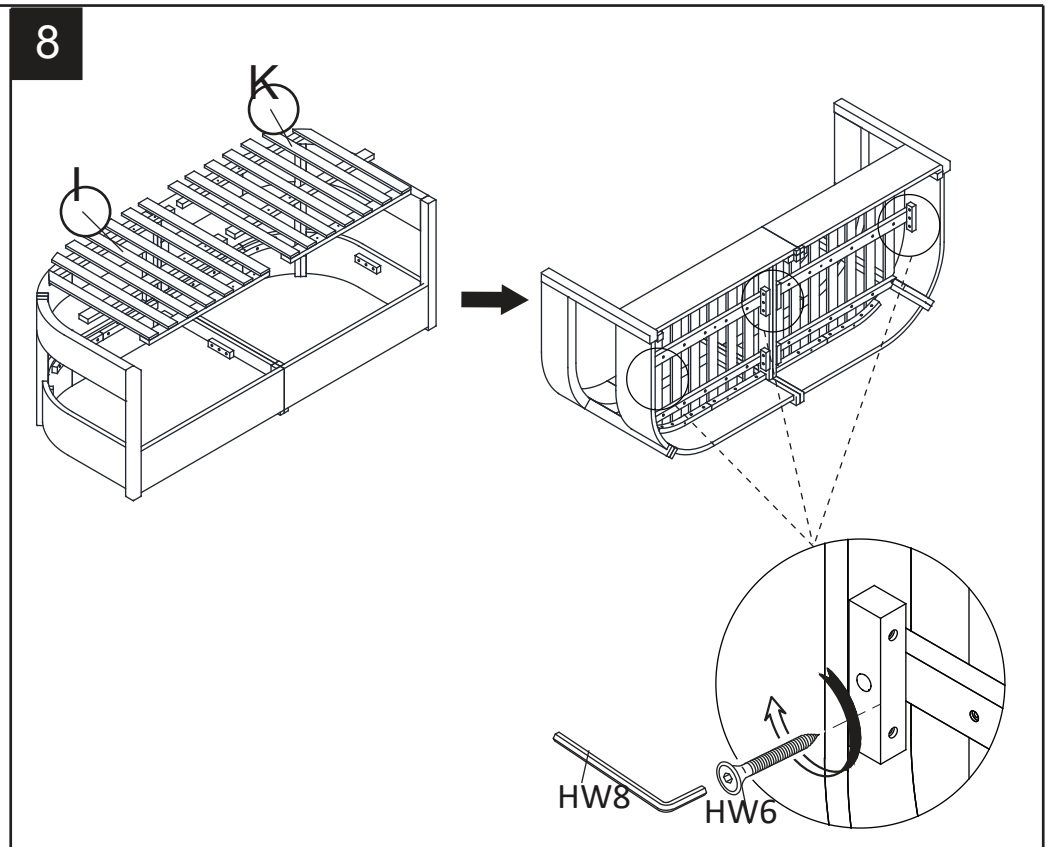
PREPARATION

- *Before beginning assembly of product, make sure all parts are present. Compare parts with package contents list and hardware contents list.
- *If any part is missing or damaged, do not attempt to assemble the product.
- * Estimated Assembly Time : 10 minutes.
- * Tools Required for Assembly (included): Allen Key
- * If you are having difficulty, our friendly Customer care team is always here to help.



Step 7

- * 7.1 Attach the Right Support Bar (D) and Left Support Bar (H) to The Chair. Using Bolts(HW3), Insert Nuts(HW5) and the Allen key (HW8) . as shown above.
- * 7.2 Using Bolts (HW2) and the Allen key (HW8) as shown above.



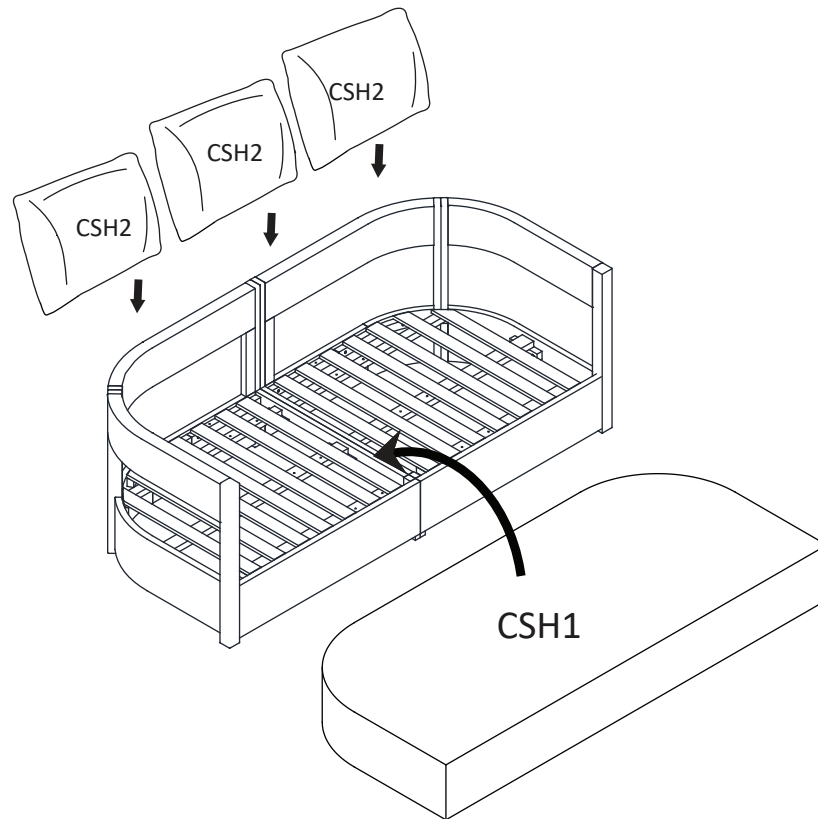
Step 8

- Attach the Right Seat Panel (I) and The Left Seat panel (K) to Chair using Screws (HW6) and the Allen key (HW8) as shown above.

PREPARATION

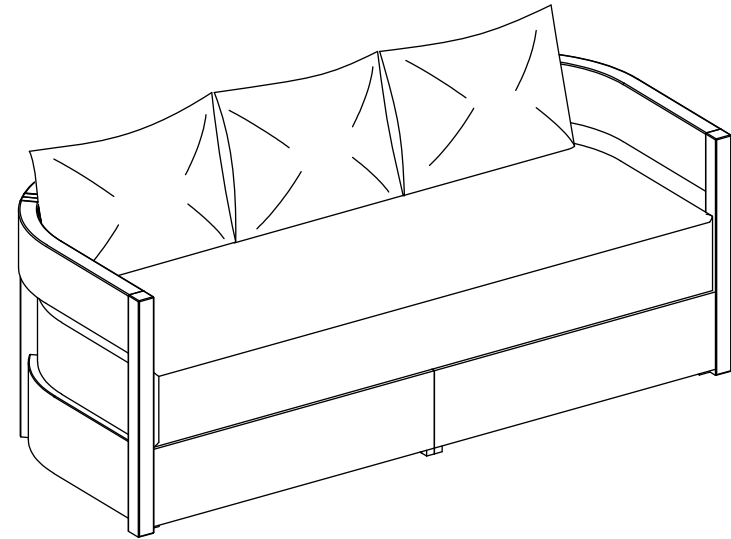
- * Before beginning assembly of product, make sure all parts are present. Compare parts with package contents list and hardware contents list.
- * If any part is missing or damaged, do not attempt to assemble the product.
- * Estimated Assembly Time : 10 minutes.
- * Tools Required for Assembly (included): Allen Key
- * If you are having difficulty, our friendly Customer care team is always here to help.

9



Step 9
Attach the Seat Cushion (CSH1) and Back Cushion (CSH2) into the Chair.

10



Step 10
Your Chair is ready to be used.