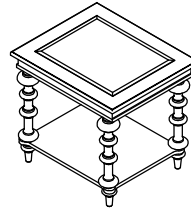




ASSEMBLY INSTRUCTIONS

370-915



BEFORE YOU START:

1. Check the parts against the parts list to make sure all items are present.
2. Assemble your furniture on a soft, flat surface to avoid scratching the finish.
3. **CAUTION:** Do not over tighten screws, nuts or bolts during assembly.
4. Your furniture may require occasional tightening.

INSTRUCTIONS:

1. Turn the table upside down on to a clean soft surface. Attach four legs to the table top as shown in Figure 1.
2. Attach the lower legs and shelf to the bottom as shown in Figure 2
3. Turn the table upright. Attach glass top to the top frame, using Clear bumper (A) as shown in Figure 3

Figure 1

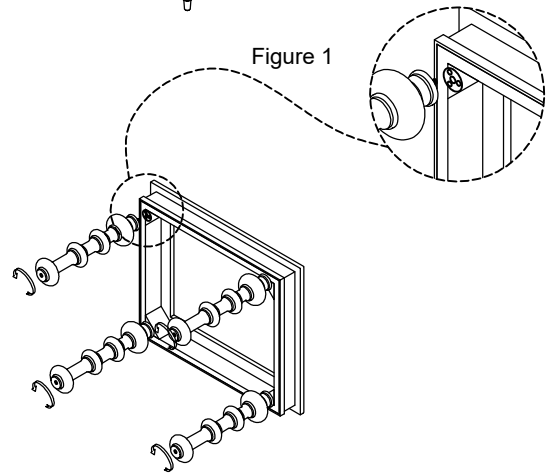


Figure 2

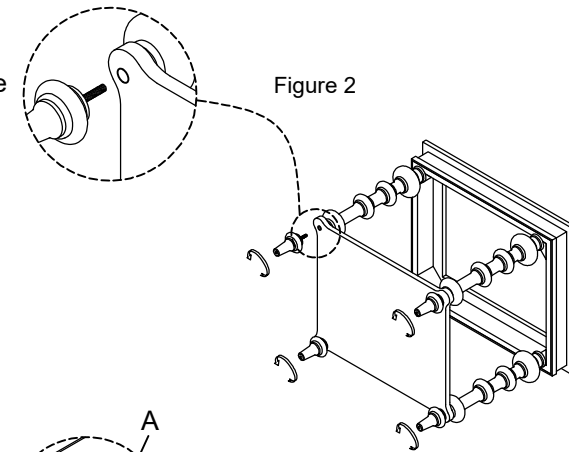
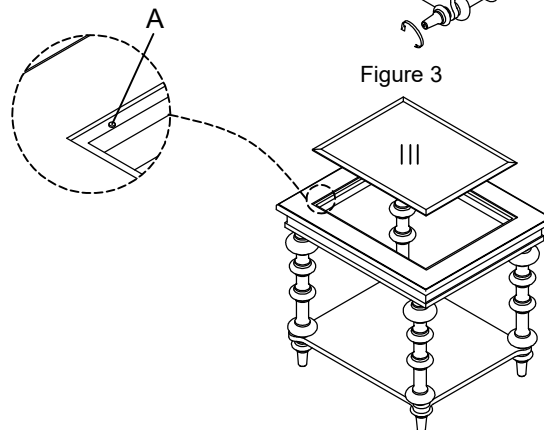



Figure 3



HARDWARE LIST			
NO.	Drawing	Description	Q'TY
A		Clear bumper (Ø8*1.5mm)	4 pcs