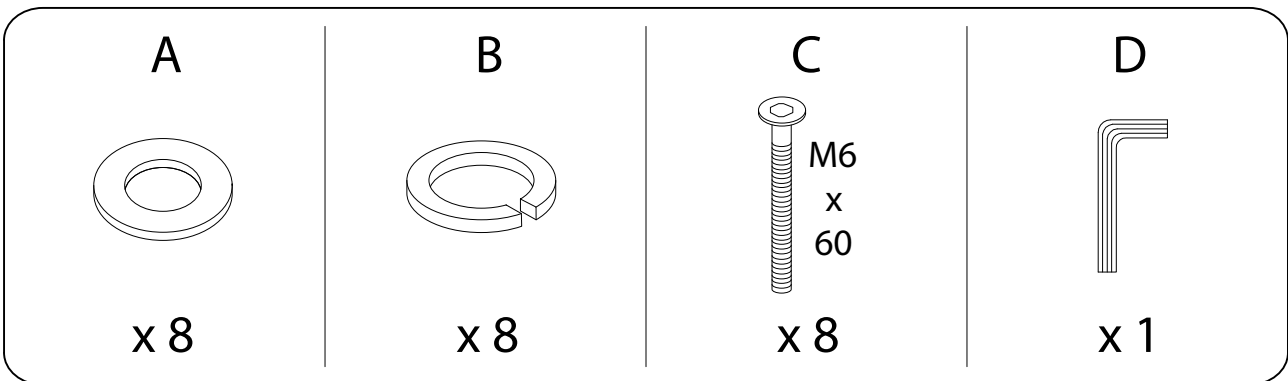
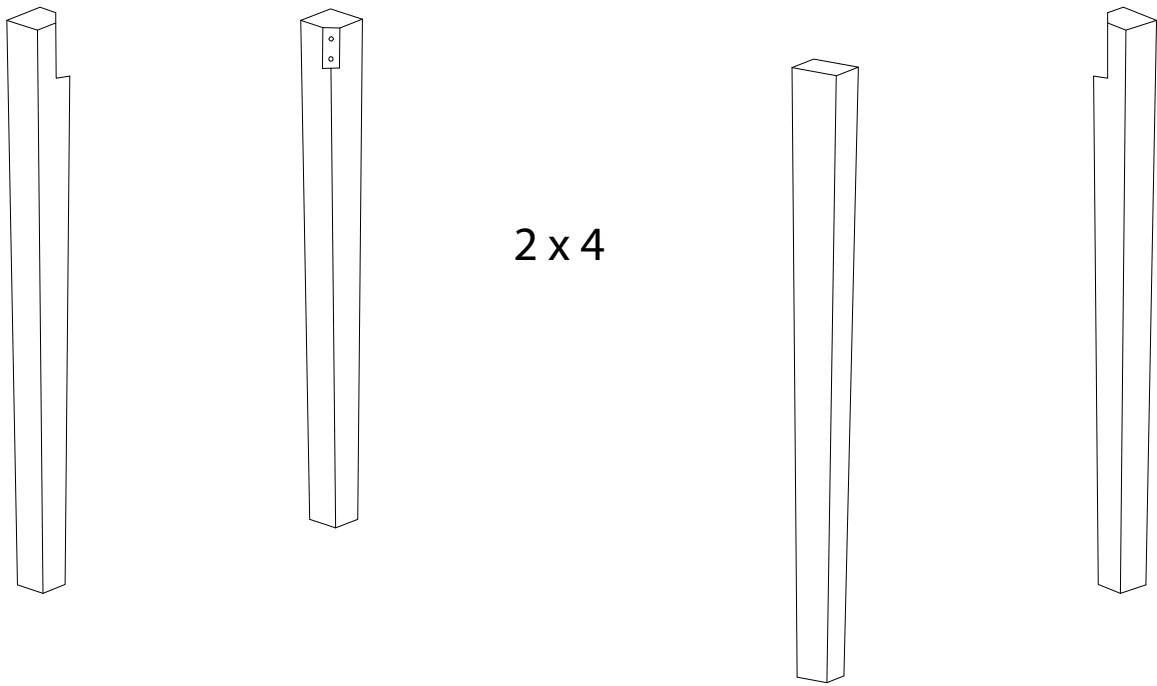
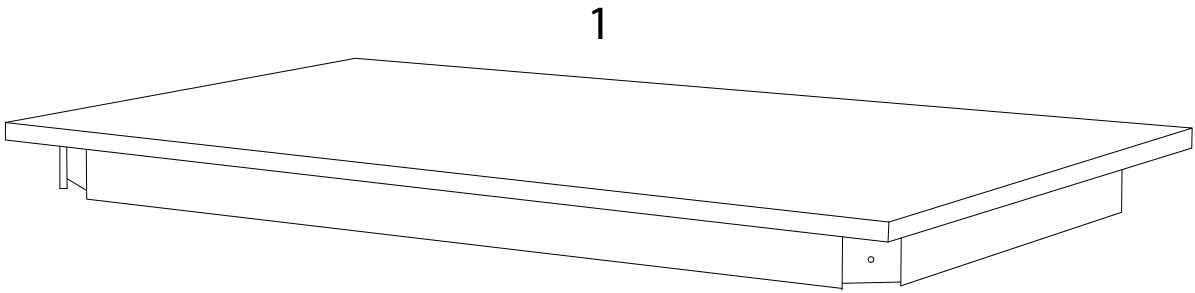
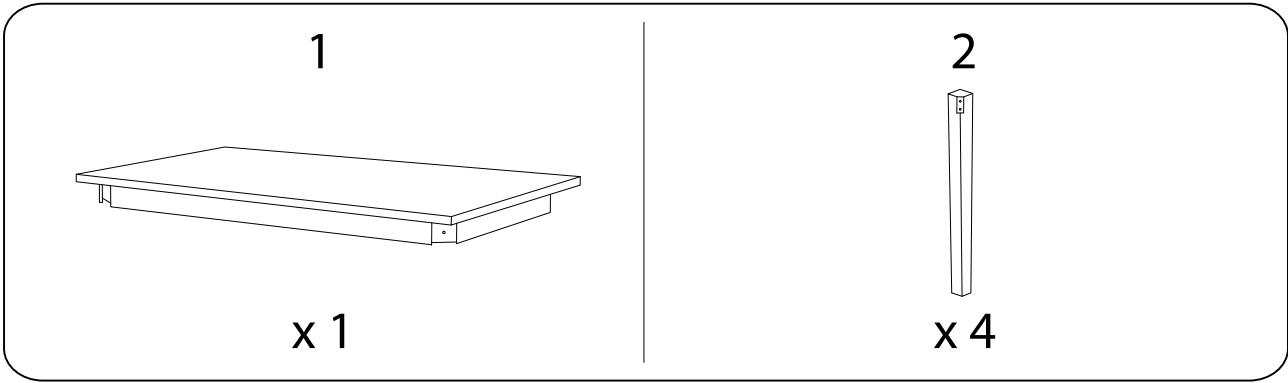


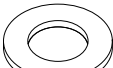
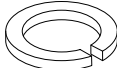
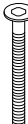
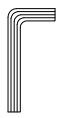


Diagram illustrating assembly instructions and safety warnings:

- Warning 1:** A triangle with an exclamation mark. Below it, a box contains an icon of an L-shaped bracket and a crossed-out power drill, indicating that a power drill should not be used for this step.
- Warning 2:** A triangle with an exclamation mark. Below it, a box contains an icon of a rectangular block being placed on a surface and a crossed-out icon of a block being lifted, indicating that the block should be placed on a soft surface and not lifted.
- Time:** A clock icon with the text "30'" below it, indicating a 30-minute assembly time.
- Personnel:** An icon of a person with the text "2" below it, indicating that two people are required for assembly.



1

<p>1</p>  <p>x 1</p>	<p>2</p>  <p>x 4</p>	<p>A</p>  <p>x 8</p>	<p>B</p>  <p>x 8</p>	<p>C</p> <p>M6 x 60</p>  <p>x 8</p>	<p>D</p>  <p>x 1</p>
---	---	---	--	--	---

