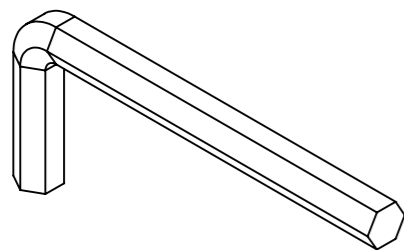
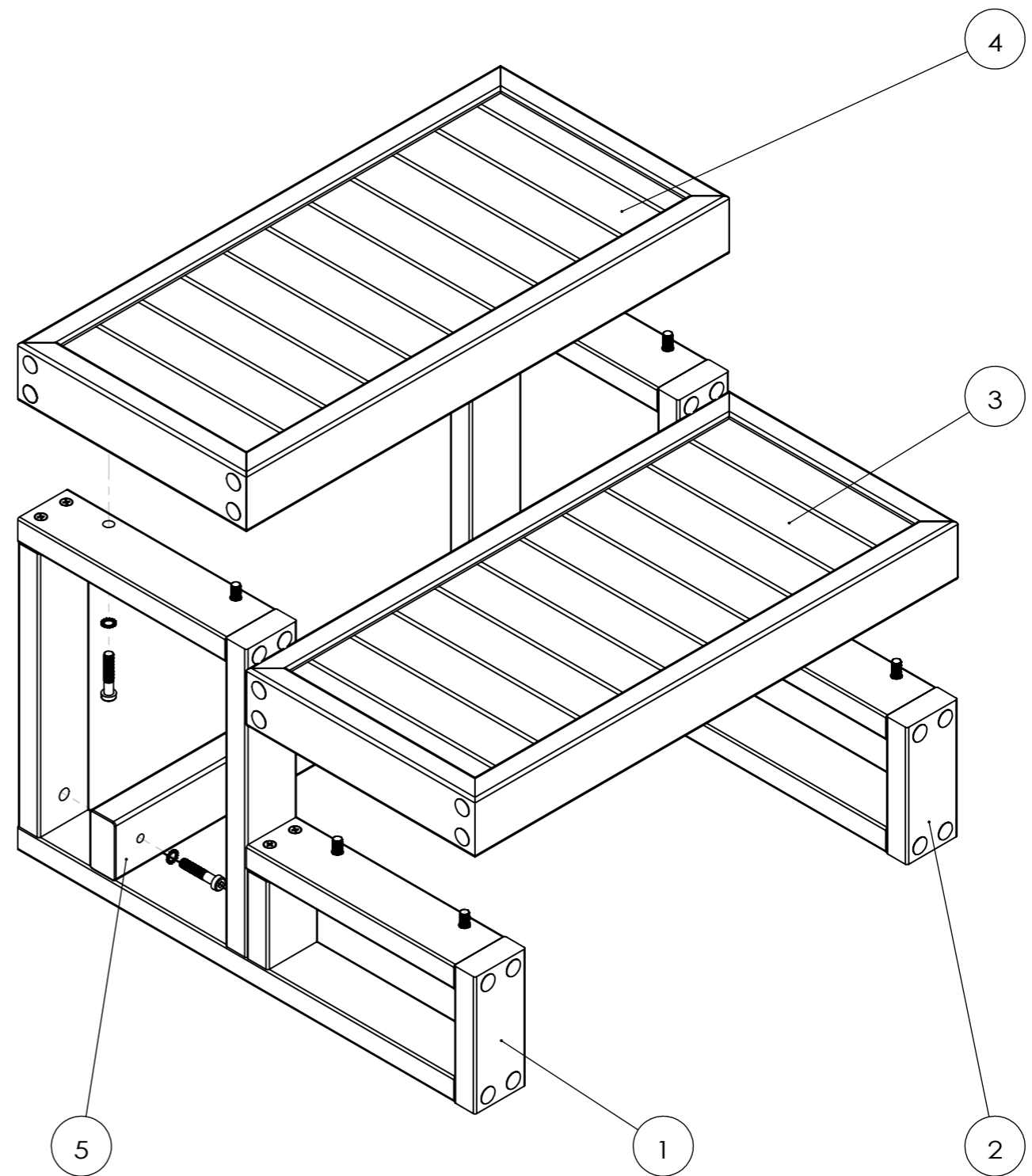
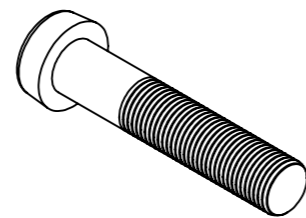


# TWO LAYER STEP

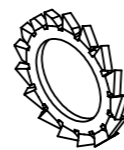
- 1.step stool
- 2.step stool
- 3.step surface
- 4.step surface
- 5.cross-beam



*x1*



*x10*



*x10*