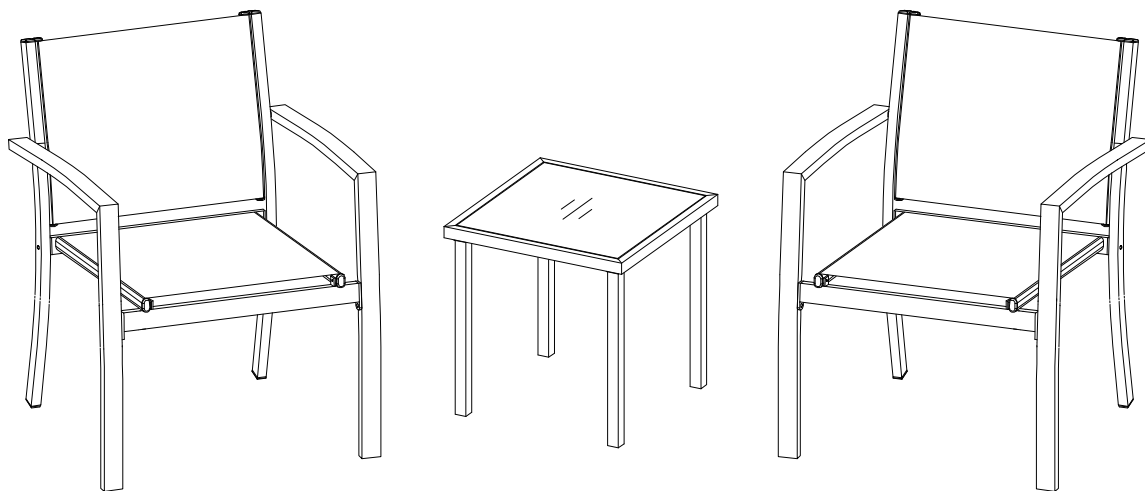


ASSEMBLY INSTRUCTIONS

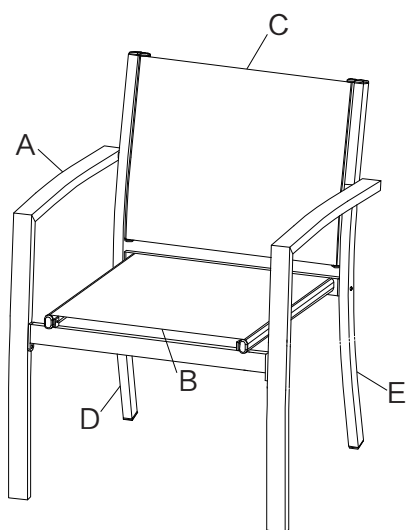
■ 3-Piece

Bistro Sets



Parts

Check and make sure you get the components on the list, contact us for any missing



■ 2-Single Chair

A:Armrest

B:Single seat

C:Single Back

D:Right leg

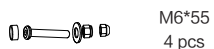
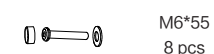
E:Left leg

K:M6*55 Screw

L:M6*55 Screw

M:M6*35 Screw

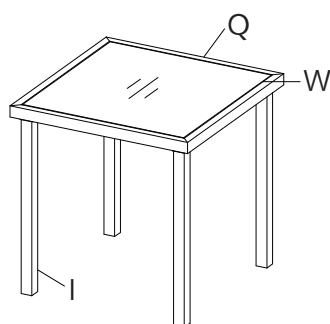
N:M6*30 Screw



■ Install Tool



■ Wrench



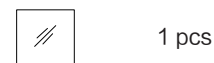
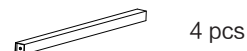
■ 1-Coffee Table

Q:Table frame

I:Table leg

W:Glass

O:M6*20 Screw

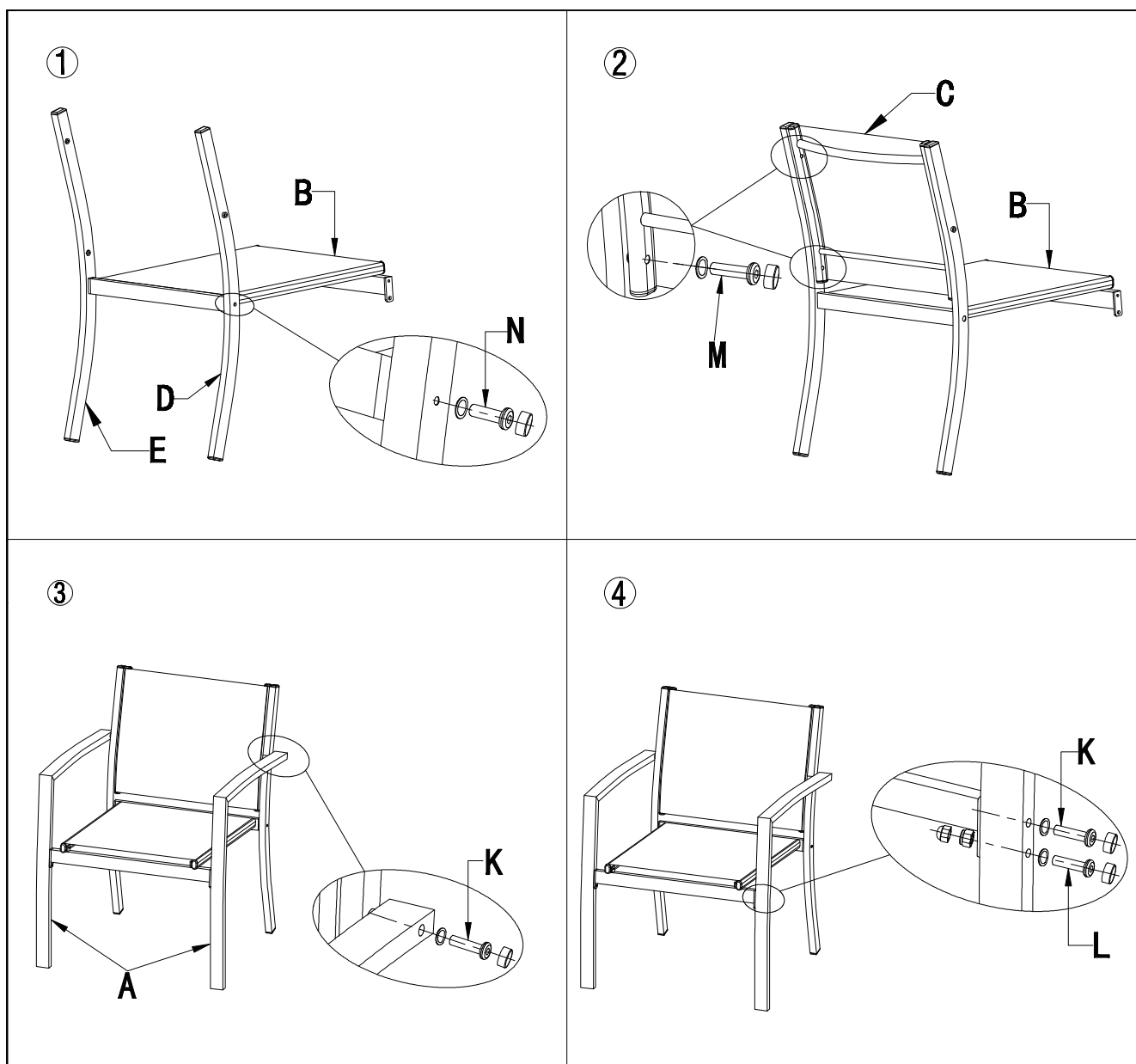


Tips: DO NOT tighten any screws until all the parts are put together.

Assembly steps

Tips: DO NOT tighten any screws until all the parts are put together.

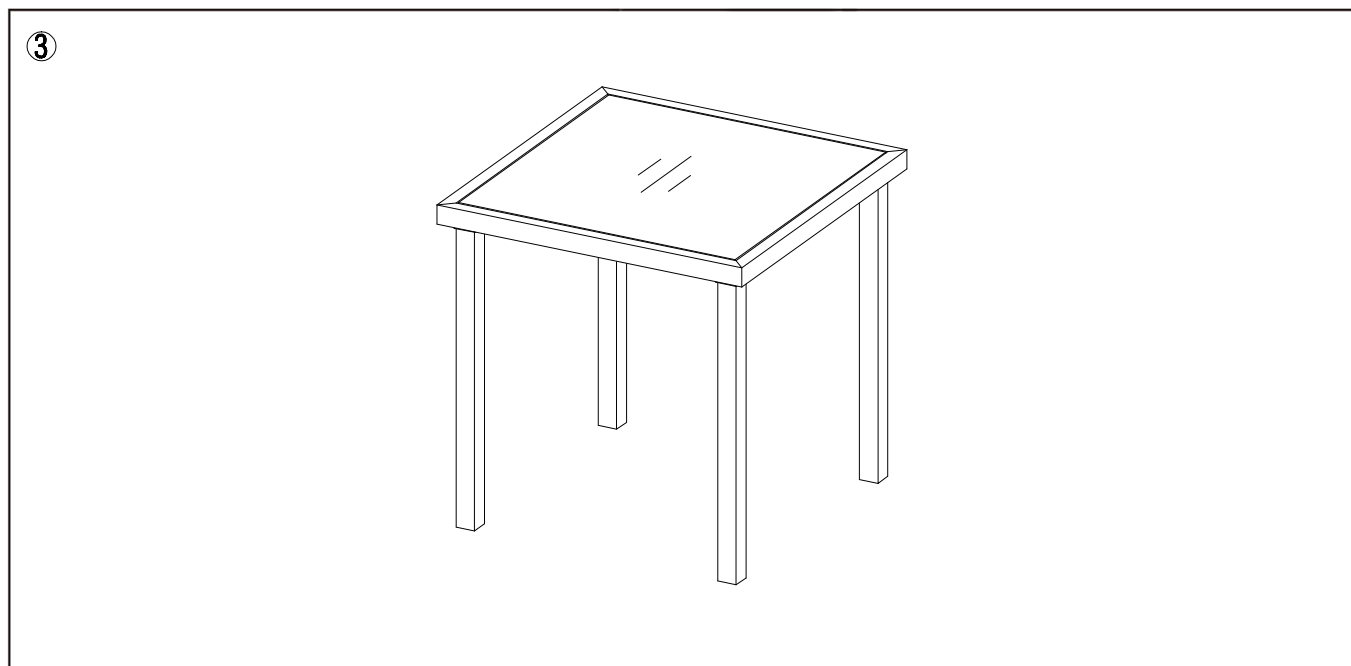
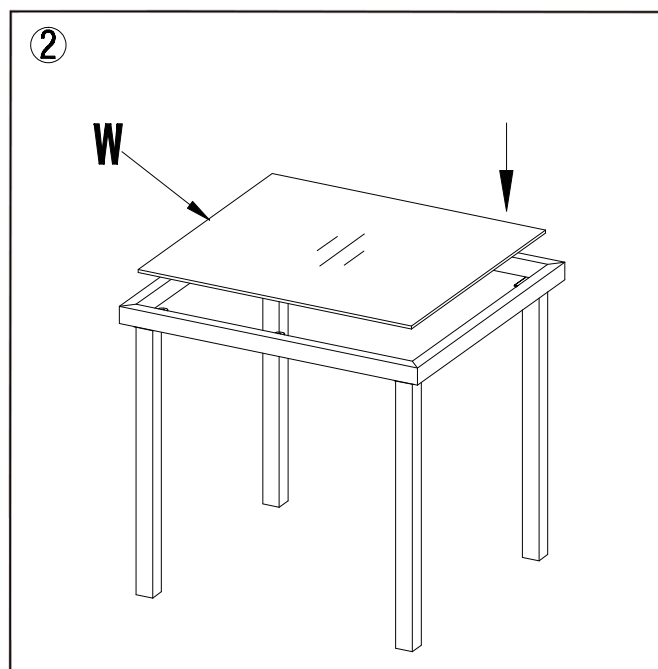
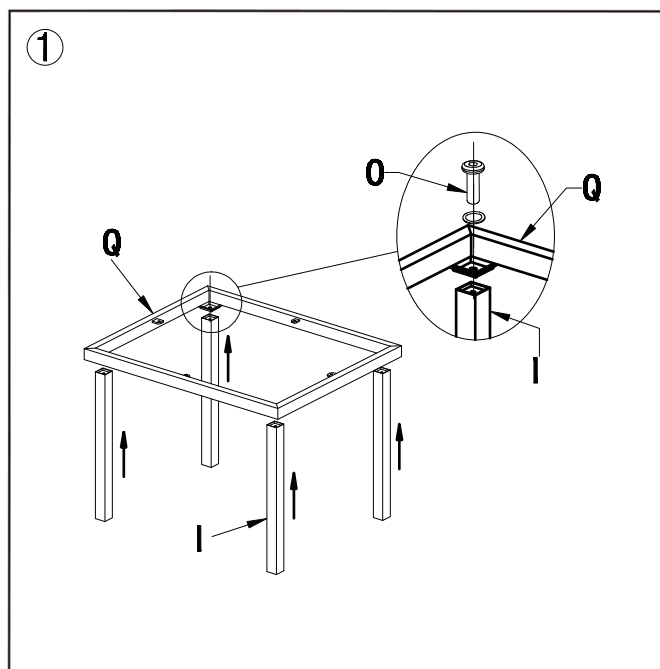
■ Single Chair Assembly step



Assembly steps

Tips: DO NOT tighten any screws until all the parts are put together.

■ Coffee Table Assembly step



Notice:

Please do not place it in a humid environment for a long period of time.