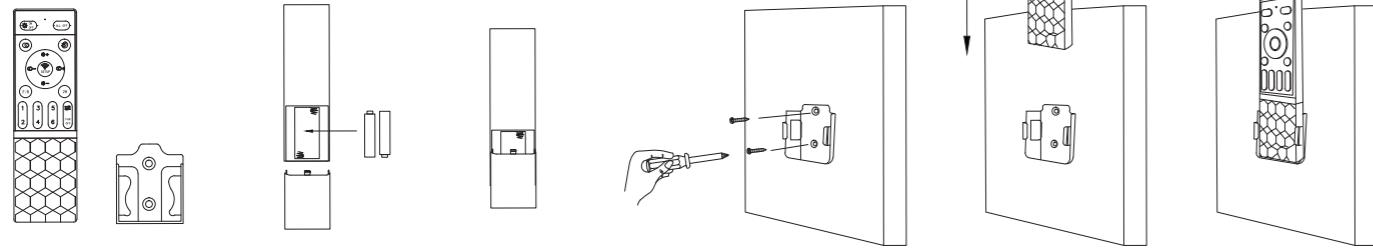
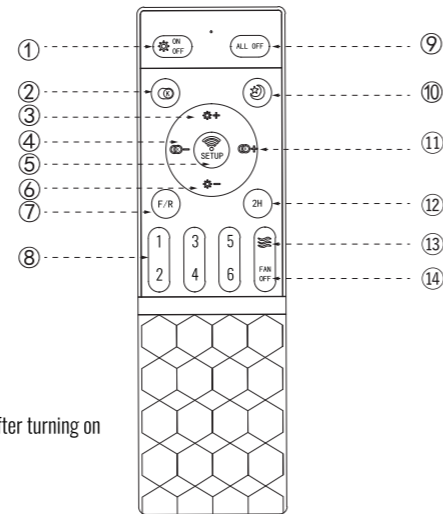


# REMOTE CONTROL INSTRUCTIONS

1. Insert 2 batteries before using: AAA 1.5V battery x 2pcs (not included)
2. Install the Remote Holder (H) onto the wall with screws.

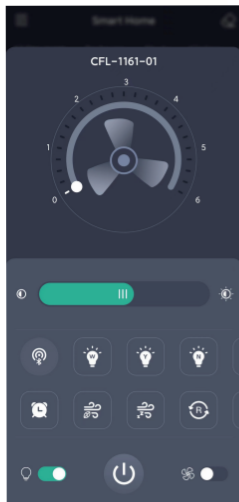


- ① Turn on/off the light.
- ② Quick switch of the light color: Y ellow Light → White Light → Natural Light
- ③⑥ Change the brightness of the light.
- ④⑪ Change the color temperature of the light.
- ⑦ Alternate the fan's rotation between forward and reverse.
- ⑧ Turn on the fan on 1/2/3/4/5/6 speed.
- ⑨ Turn off the fan and light.
- ⑩ Night Mode Press to dim the light.
- ⑫ 2 hours for timing the fan.
- ⑬ Natural wind. The fan's speed will change automatically.
- ⑭ Turn off the fan.



**Signal Pairing:** If the remote control loses signal from the fan, press and hold the Signal Pairing button ⑤ at the beginning after turning on the wall switch until the light flashes. This will pair the remote control to the fan.

# APP CONTROL INSTRUCTIONS



Install the "FanLamp Pro" app from Google Play, Apple App Store, or other app stores by scanning the QR code or searching for the app name. Ensure that your phone is connected to the internet and Bluetooth enabled.

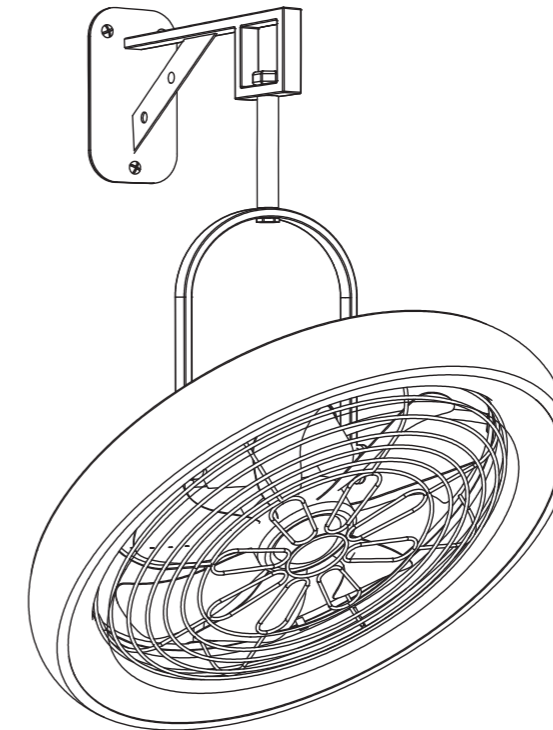
	Pairing: Click the Pair button within 5 seconds after turning on the fan from the wall switch. Once the fan flashes or beeps, it has been successfully paired with your phone and can now be controlled through the app.
	Slide the slider to change the fan speed
	Slide to adjust the brightness of the light
	Quickly change color temperature " White, Yellow, Natural "
	Switch to night light mode
	Fan forward & Fan reverse
	Guiding style (not supported by this product)
	Timer
	Sleeping wind (Not applicable on this fan)
	Natural wind: Simulate natural wind and automatically adjust the wind speed
	Turn on/off the light
	Turn on/off the fan

NOTE:  
Install the "FanLamp Pro" app from Google Play, Apple App Store, or other app stores by scanning the QR code or searching for the app name. Ensure that your phone is connected to the internet and Bluetooth enabled.

# INSTALLATION MANUAL

## FAN SCONCE

Model No.: FS-6008BL-01

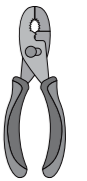


APP Control Applicable

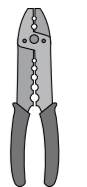
### TOOLS REQUIRED



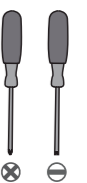
Ladder



Pliers

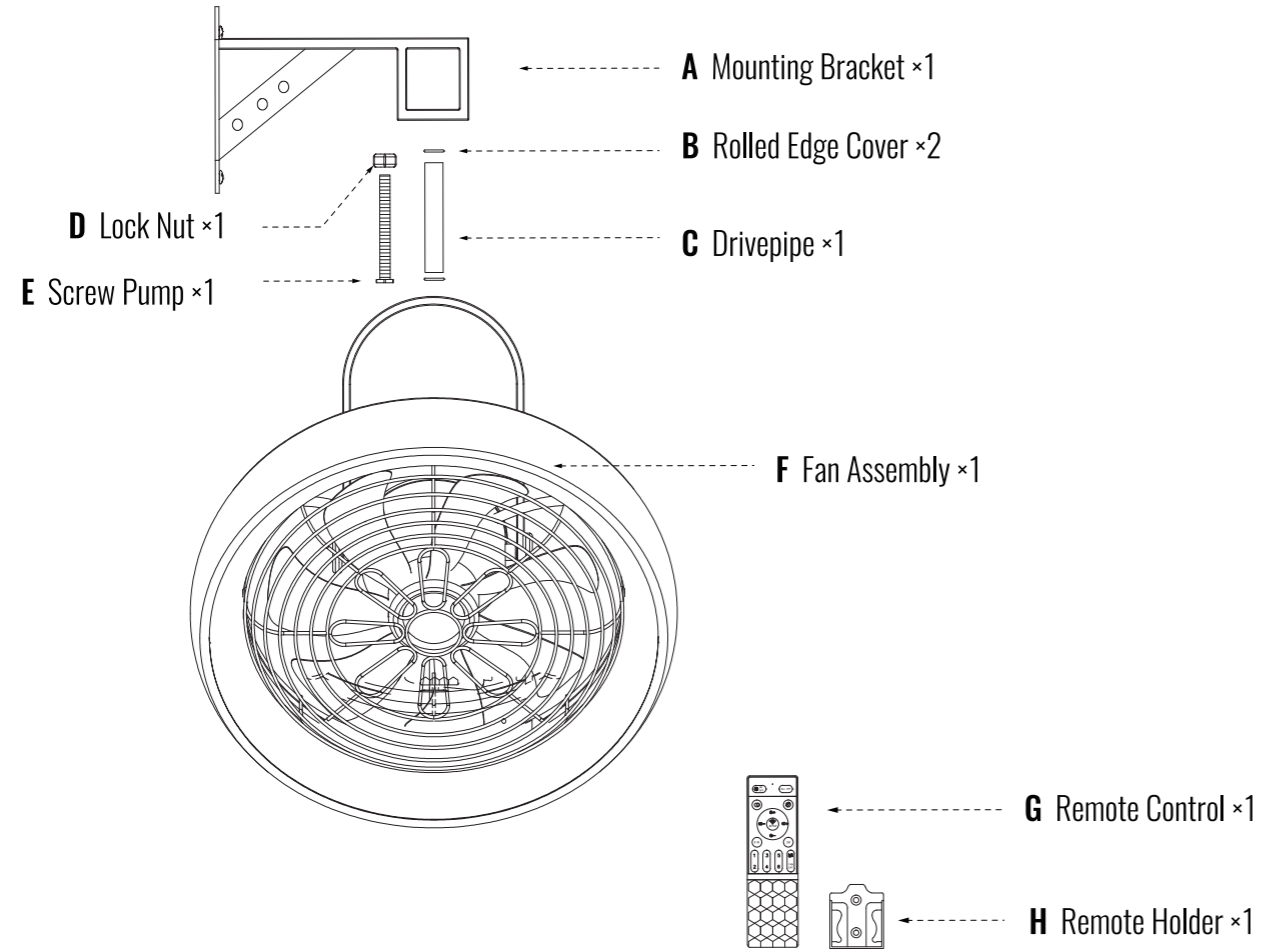


Wire Strippers

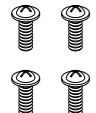
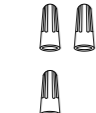


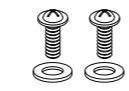


Screwdrivers

# PACKING LIST



# INSTALLATION KIT

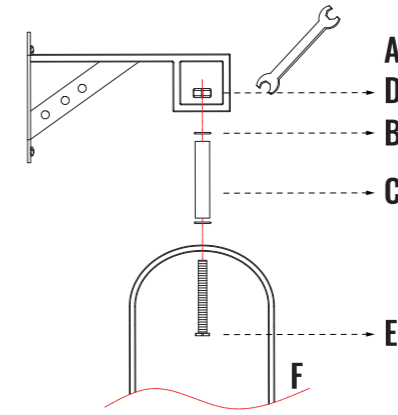
<b>AA</b> 4×  Canopy Screw	<b>BB</b> 3×  Wire Nut	<b>CC</b> 1×  Gloves	<b>DD</b> 4×  Wood Screw	<b>EE</b> 2×  Outlet Box Screw & Washer
--	--	--	---	---

**Note:**  
1. Some extra hardware may be included. The quantity listed above is the number required for installation.

# INSTALLATION

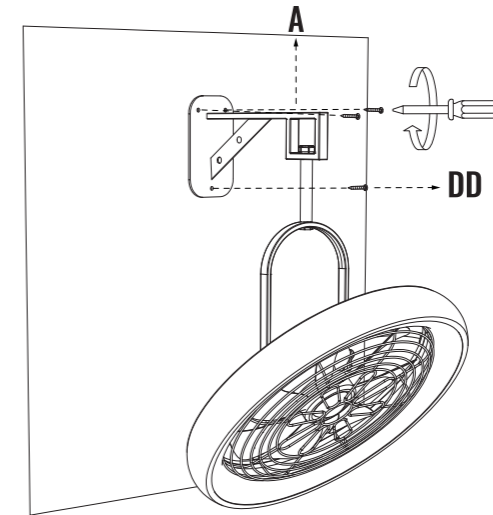
## 1. Connecting the Mounting Bracket

As shown in the figure, connect the Mounting Bracket (A) to the Fan Assembly (F) using Rolled Edge Cover (B), Drivepipe (C), Lock Nut (D), and Screw Pump (E).



## 2. Installing the Mounting Bracket

Install the Mounting Bracket (A) to the wall with the Wooden Screws (DD).



## 3. Connect the power

