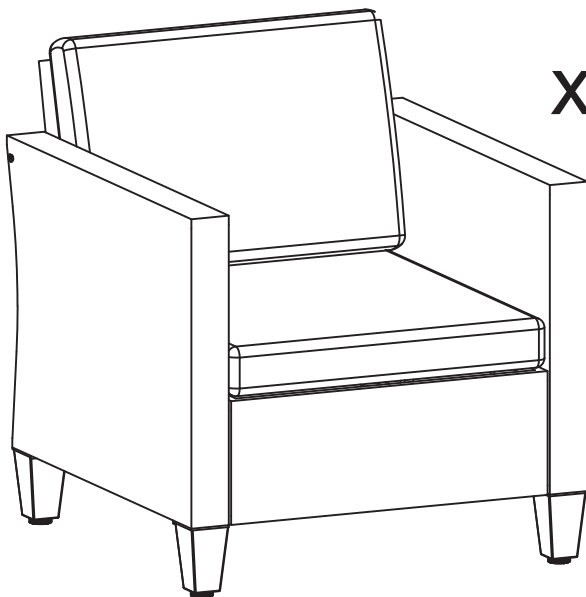


sku:SD-WK34BR/WK34N/WK38N

Steel wicker armchair set



x2



Thank you for choosing us!

Our goal is to provide high quality outdoor furniture with outstanding customer service-all at an affordable price.

Please let us know how we are doing!

Problems?

(Missing pieces, wrong pieces...)

We will fix it immediately. Send us an email at

aftersaledirect@gmail.com

Happy?

Please leave us a review!

You can make others happy too!



Tip: We recommend flattening the boxes to use as a protective work surface, or setting up your new furniture on a soft floor like a carpet.



**IMPORTANT, RETAIN FOR
FUTURE REFERENCE:
READ CAREFULLY.**

Safety

- For domestic use only.
- Always use on firm level ground.
- Don't tighten all the bolts before the product is fully assembled.
- It would be useful to ask someone to help you assemble the product.
- Periodic structural checks of this product should be undertaken, do not use if you have any doubts about its fitness for purpose.
- Do not stand on the seat.
- Do not let children play with this product.
- Maximum load per seat: 250 lbs.

At the beginning of the season

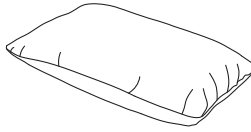
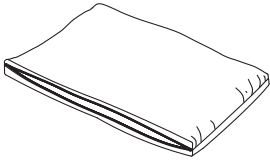
- Check to ensure that all components and fixings of this product are secure, do not use if you have any doubts about its fitness for purpose.

At the end of the season

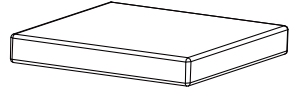
- This product should be stored under cover during prolonged spells of adverse weather (wet or cold) and also during the winter (ideally in a garden shed or garage).
- Always clean and dry thoroughly before storage.

How to Put on the Cushion Cover

1

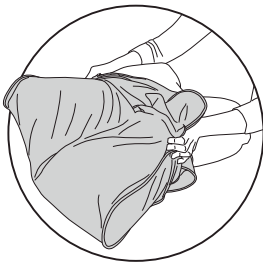


OR



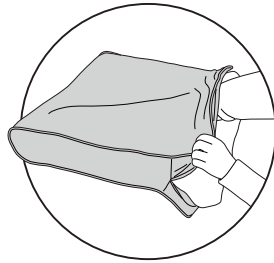
1. Take the cushion covers and inners out of the carton.

2



2. Fold the inner in half, pushing the sides together, then begin to slide the cover onto it.

3



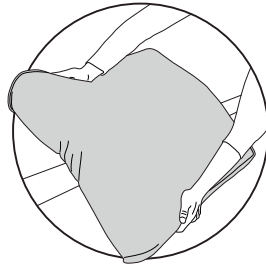
3. Align both far corners, then gently compress insert while fitting cover around it.

4



4. To avoid a stuck zipper, please pull the fabric away from the zipper before moving forward.

5

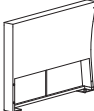





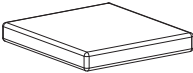
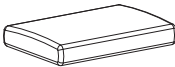



5. When all done, please pat the cushion or give it a little shake to make it more flat.

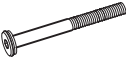





Care & Cleaning Guidelines

The covers are machine washable. Before washing, please zip the cover up to avoid catching other clothes. You can clean the dust on the chair / table / footstool with a damp cloth.

COMPONENT LIST - ARMCHAIR X2

Item no.	Reference Image	Description	Qty.
A		Right Armrest	1
B		Left Armrest	1
C		Back Panel	1
D		Seat Base	1
E		Side Panel	1
F		Foot	4
G		Seat Cushion	1
H		Back Cushion	1
I		M6*30 Head Cap Screw	10

COMPONENT LIST - ARMCHAIR X2

Item no.	Reference Image	Description	Qty.
K		M6*85 Head Cap Screw	2
L		M6 Washer	12
M		M8 Washer	4
N		M8 Nut	4
P		Allen Key	1
R		M8 Wrench	1

NOTE:

Do NOT tighten any screws fully first until you have tightened all the screws.

This may cause the frame to warp.

If there is still wobbles or screw holes cannot be aligned, loosen the screws and tighten sequentially.

If the Armchair is not stable it could lead to damage to the product.

01



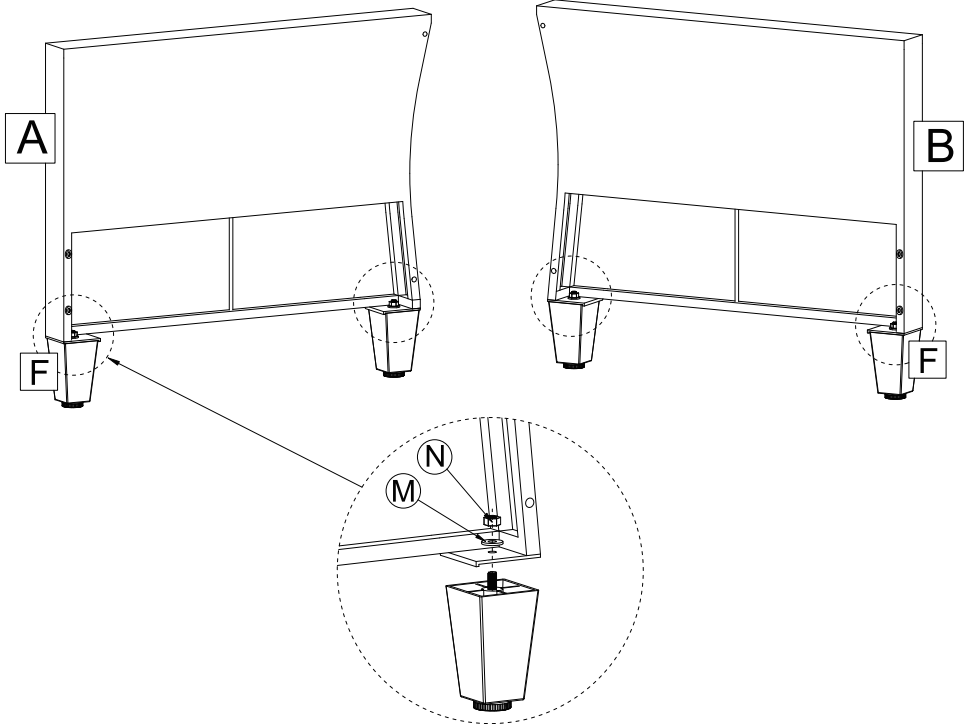
Foot ×4



M8 Washer ×4



M8 Nut ×4



02

(I)



(K)



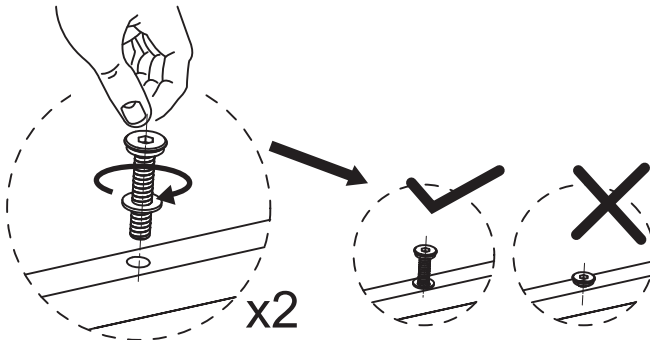
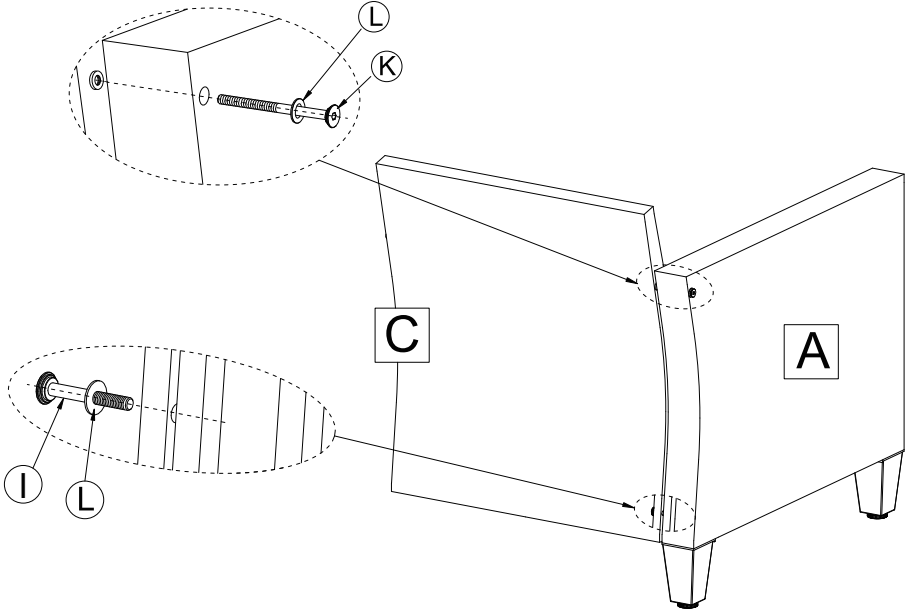
(L)



M6*30 Screw x1

M6*85 Screw x1

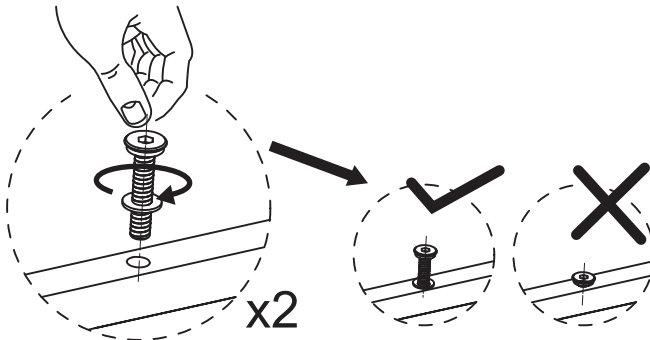
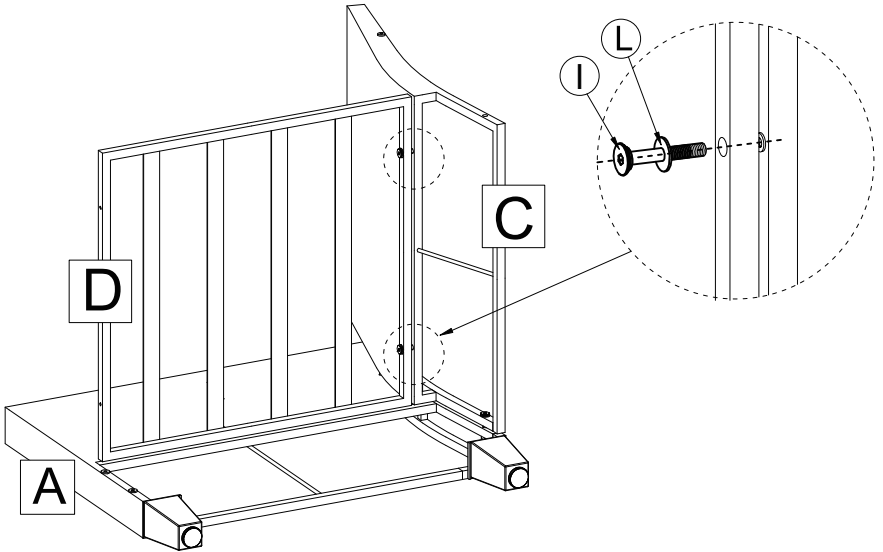
M6 Washer x2



x2

NOTE: DO NOT TIGHTEN THE SCREWS COMPLETELY.

03



NOTE: DO NOT TIGHTEN THE SCREWS COMPLETELY.

04

I

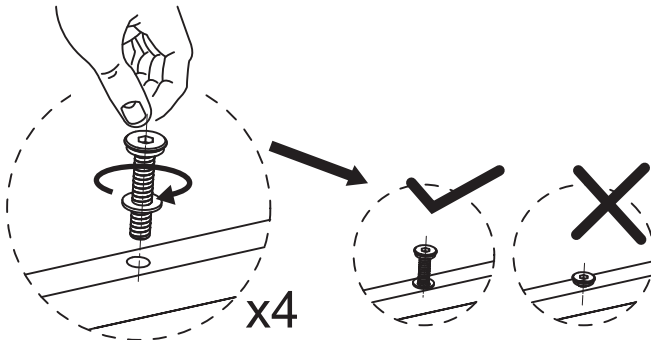
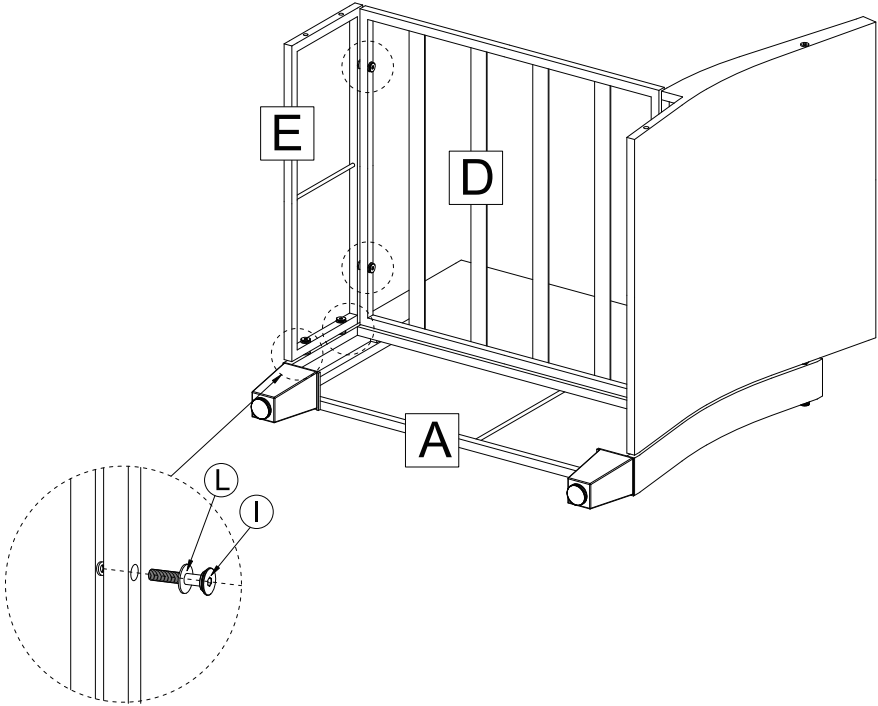


L



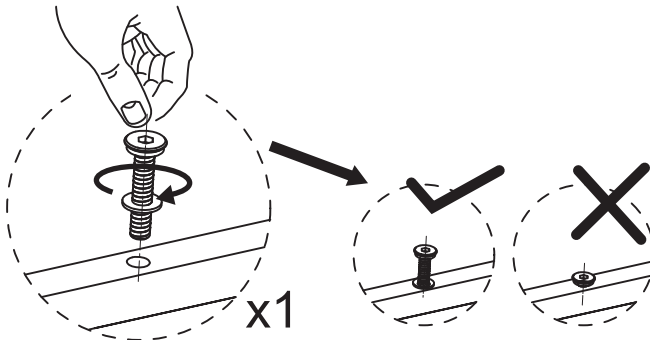
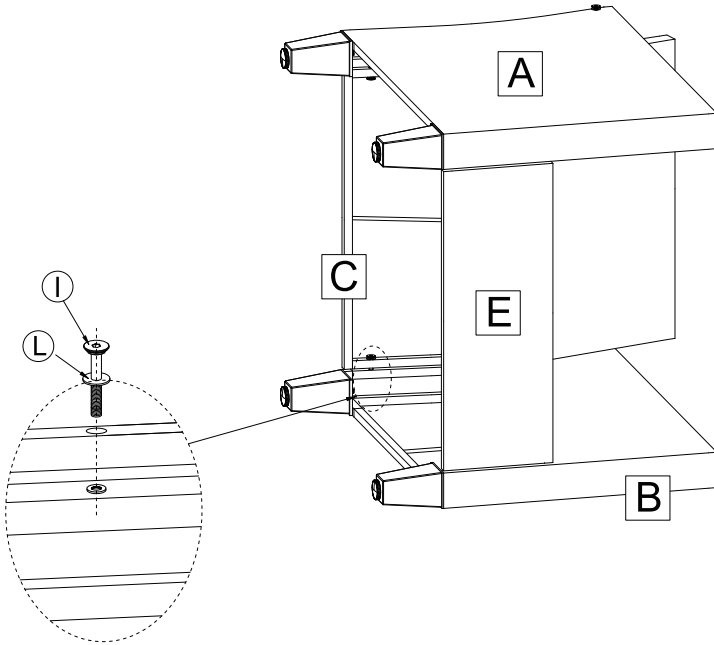
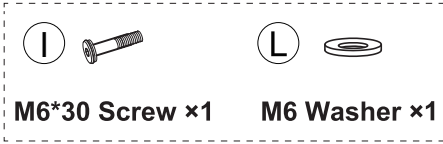
M6*30 Screw x4

M6 Washer x4



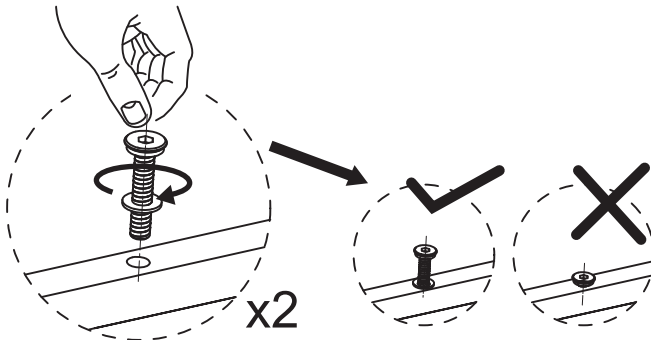
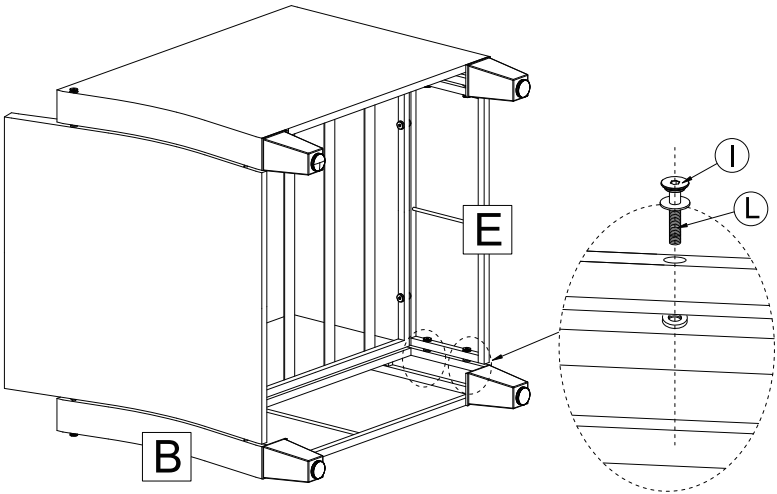
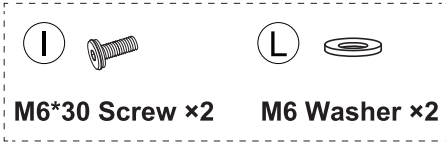
NOTE: DO NOT TIGHTEN THE SCREWS COMPLETELY.

05



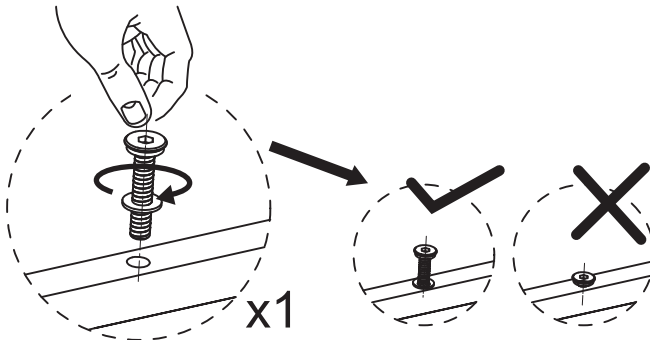
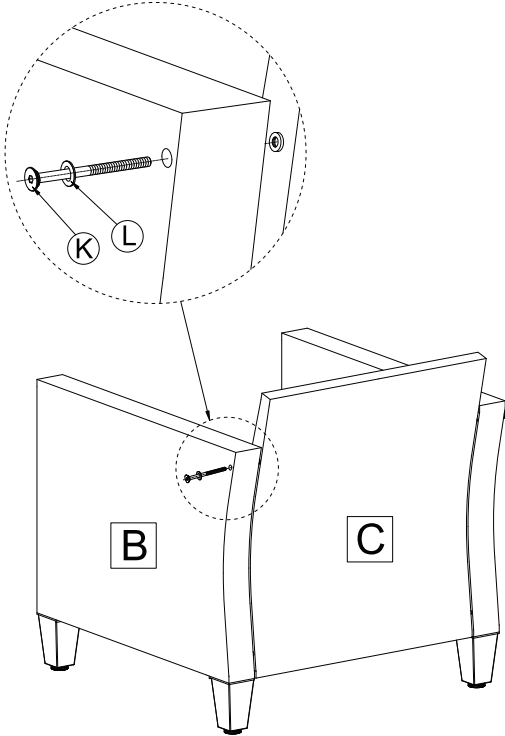
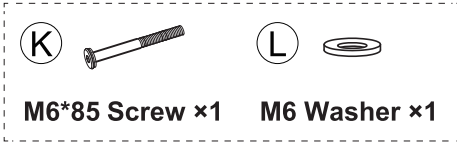
NOTE: DO NOT TIGHTEN THE SCREWS COMPLETELY.

06



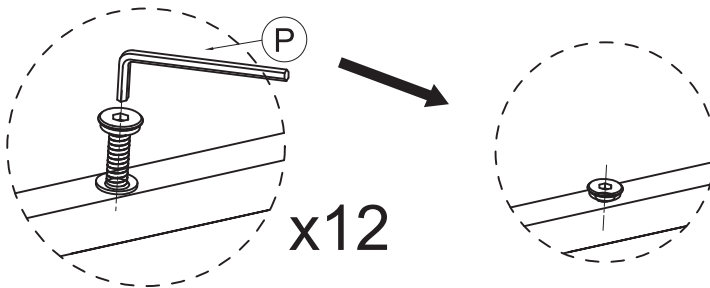
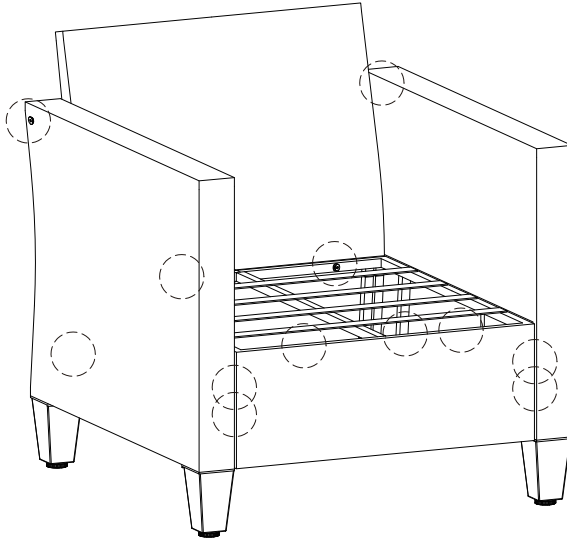
NOTE: DO NOT TIGHTEN THE SCREWS COMPLETELY.

07



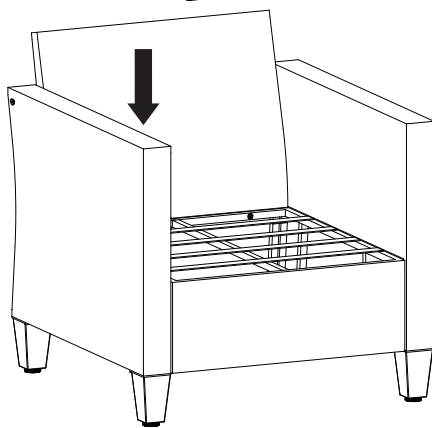
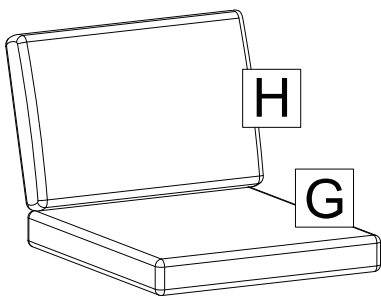
NOTE: DO NOT TIGHTEN THE SCREWS COMPLETELY.

08 Tighten all 12 Screws into place with Allen Key and Wrench.

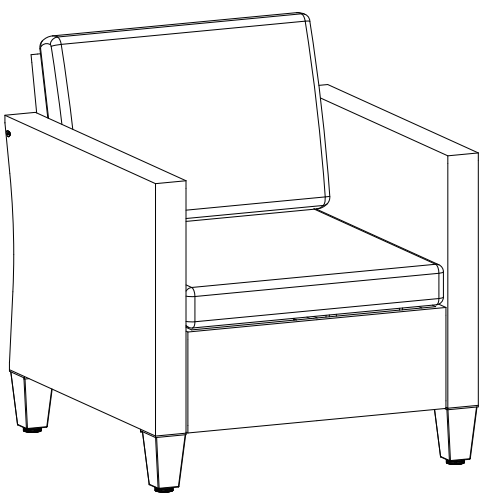


NOTE:IF ANY SCREW HOLES CANNOT BE ALIGNED, LOOSEN ALL THE SCREWS AND GO BACK STEP 1 AND RESTART ASSEMBLY.

09



10



Assembly is completed.