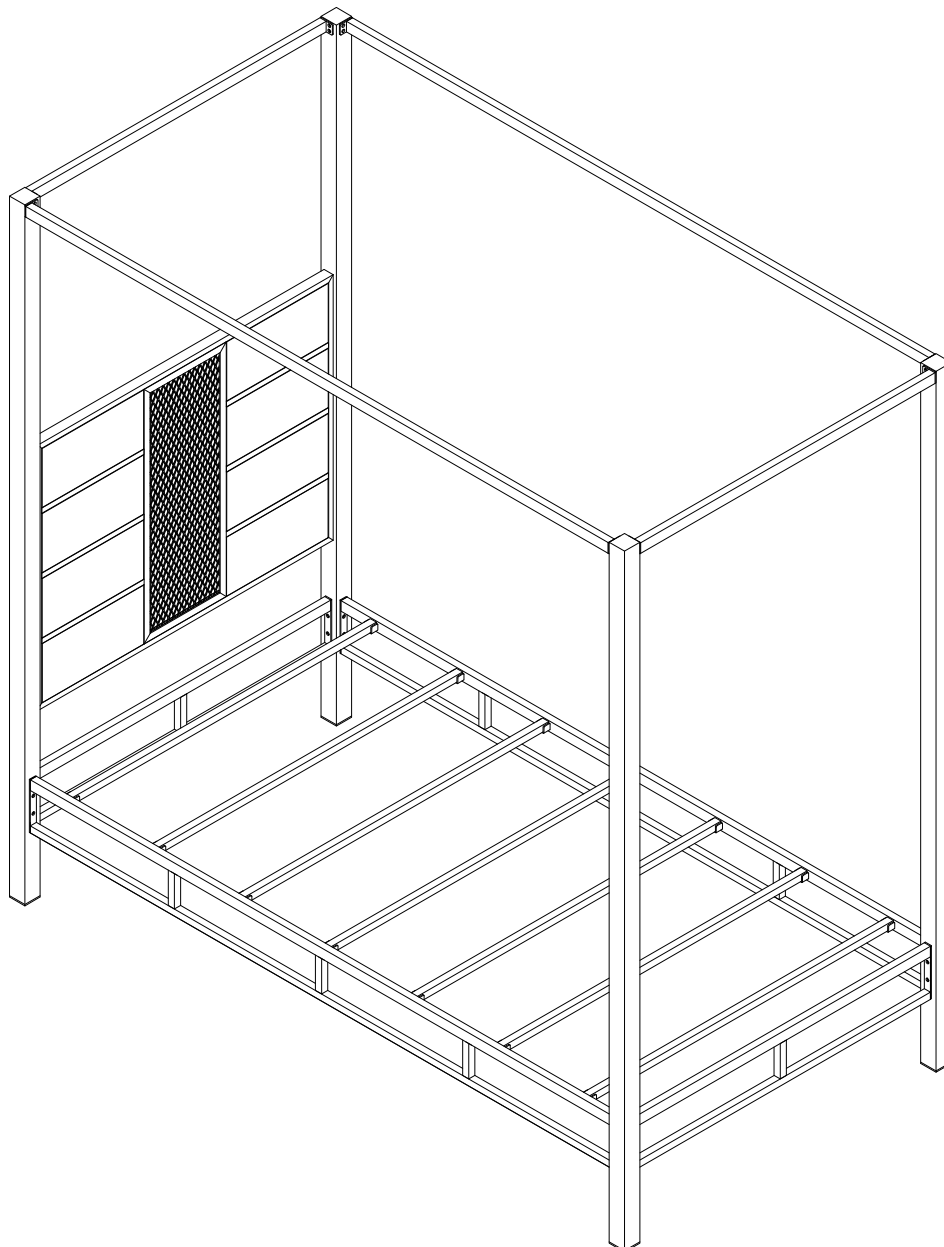
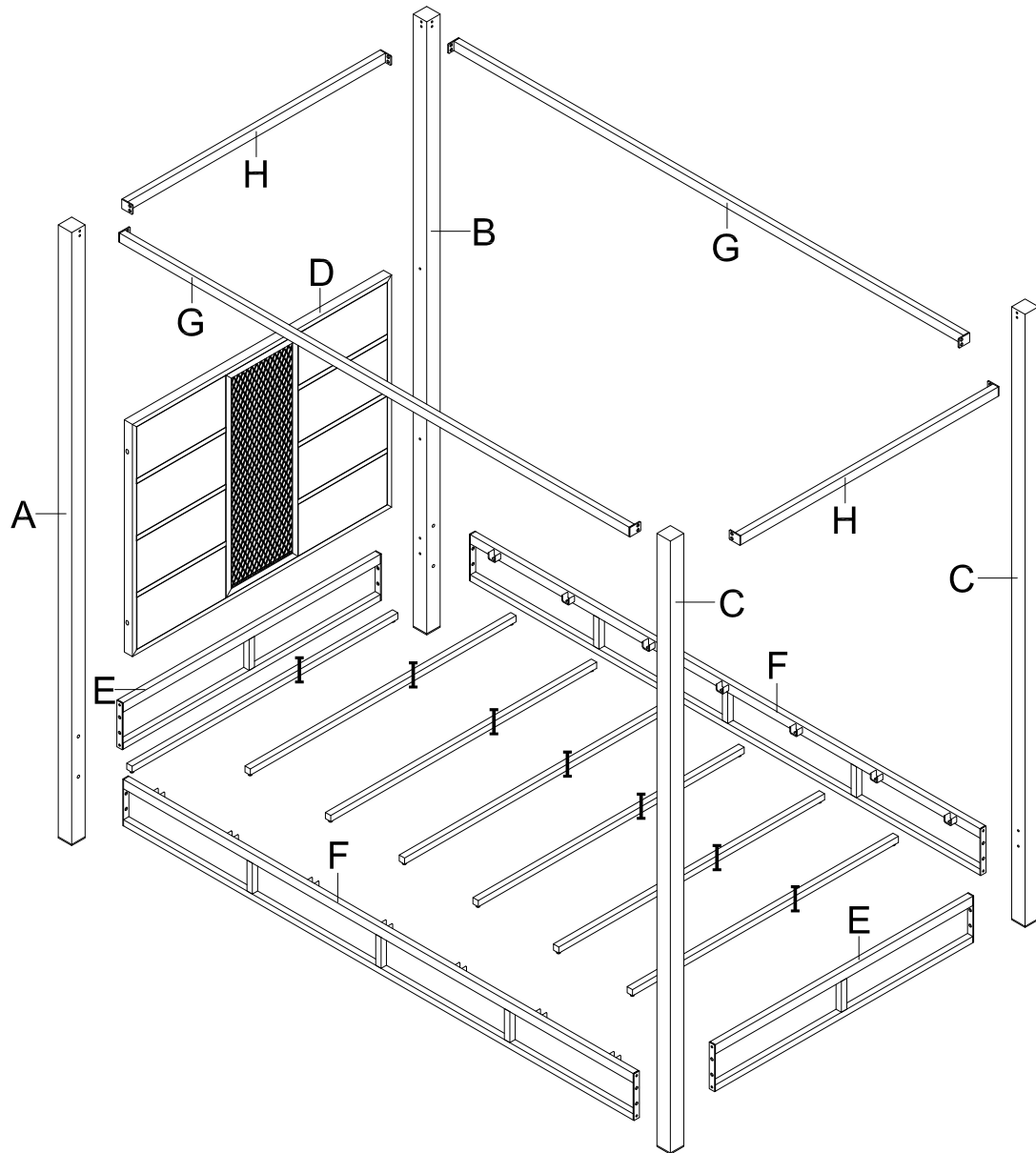


ASSEMBLY INSTRUCTIONS

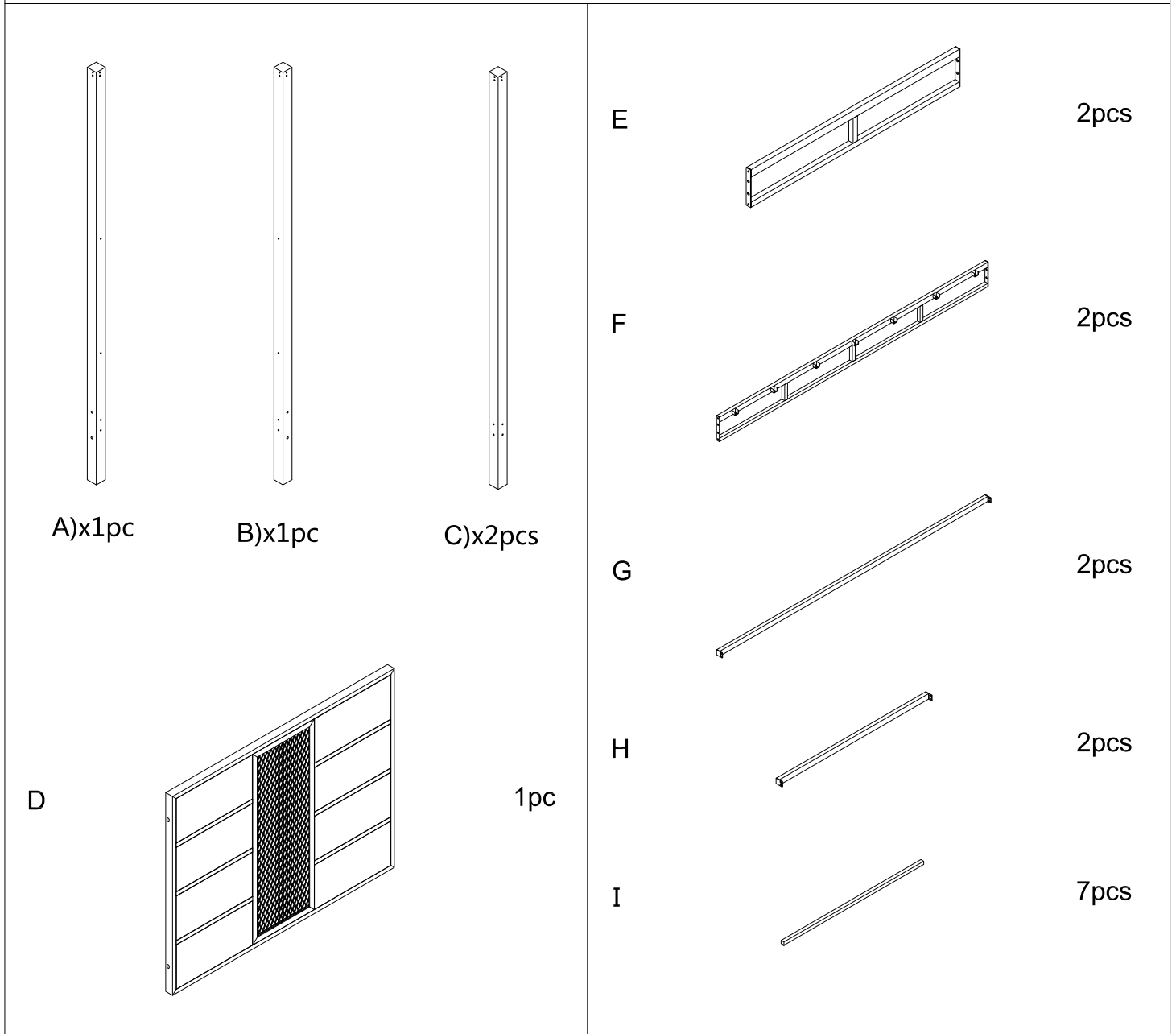


Do not tighten screws until completely assembled.

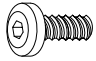
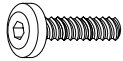
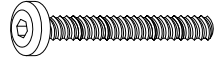
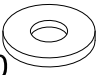
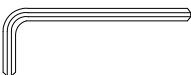
PARTS IDENTIFICATION

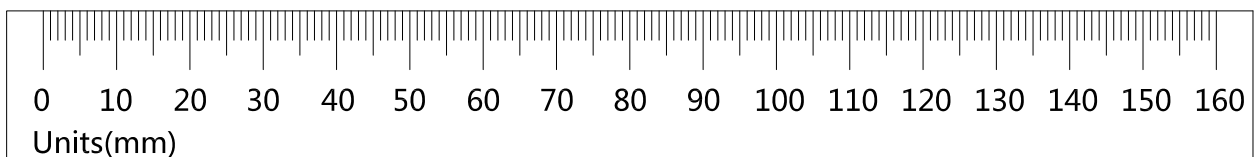


PARTS IDENTIFICATION

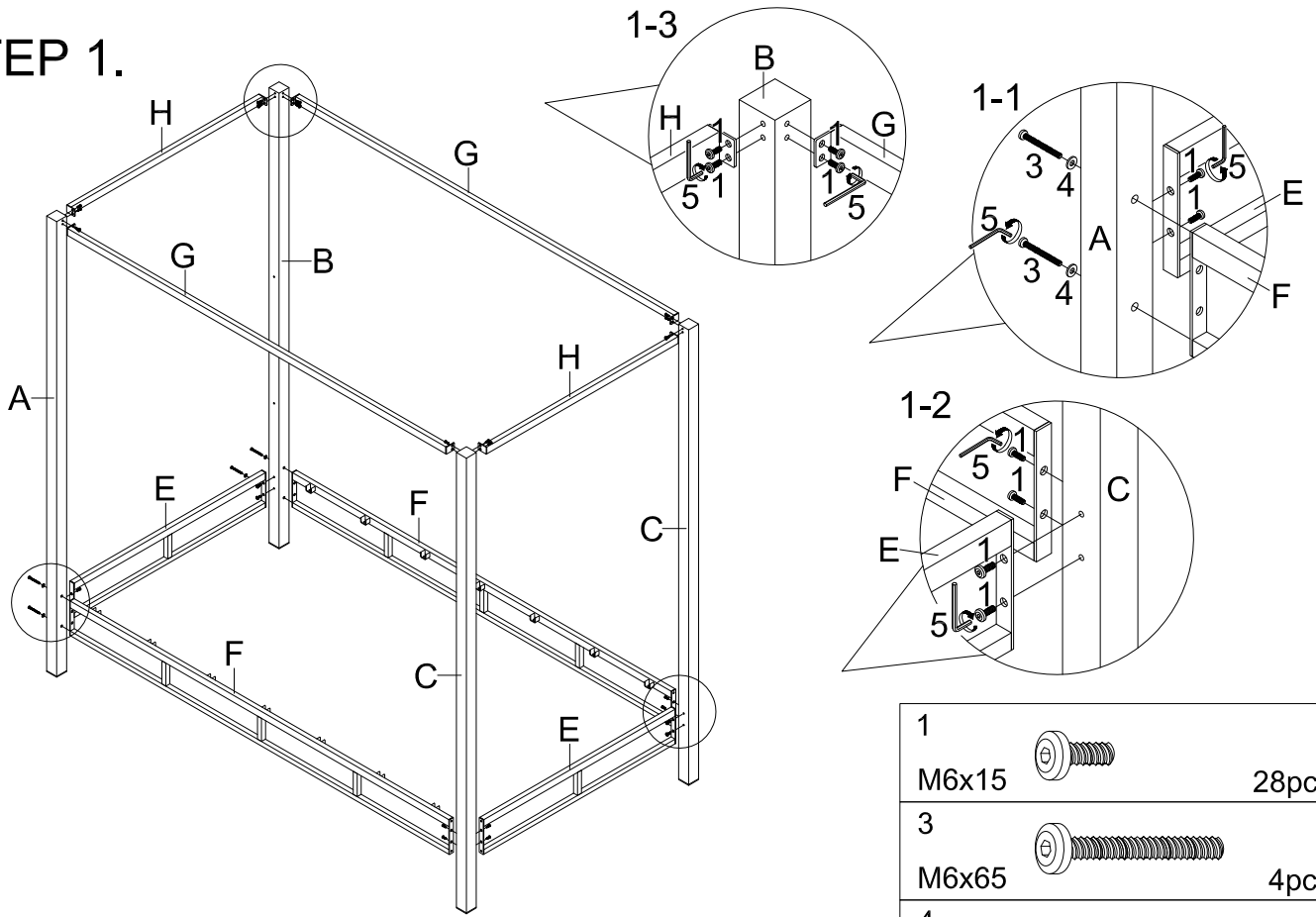


HARDWARE LIST

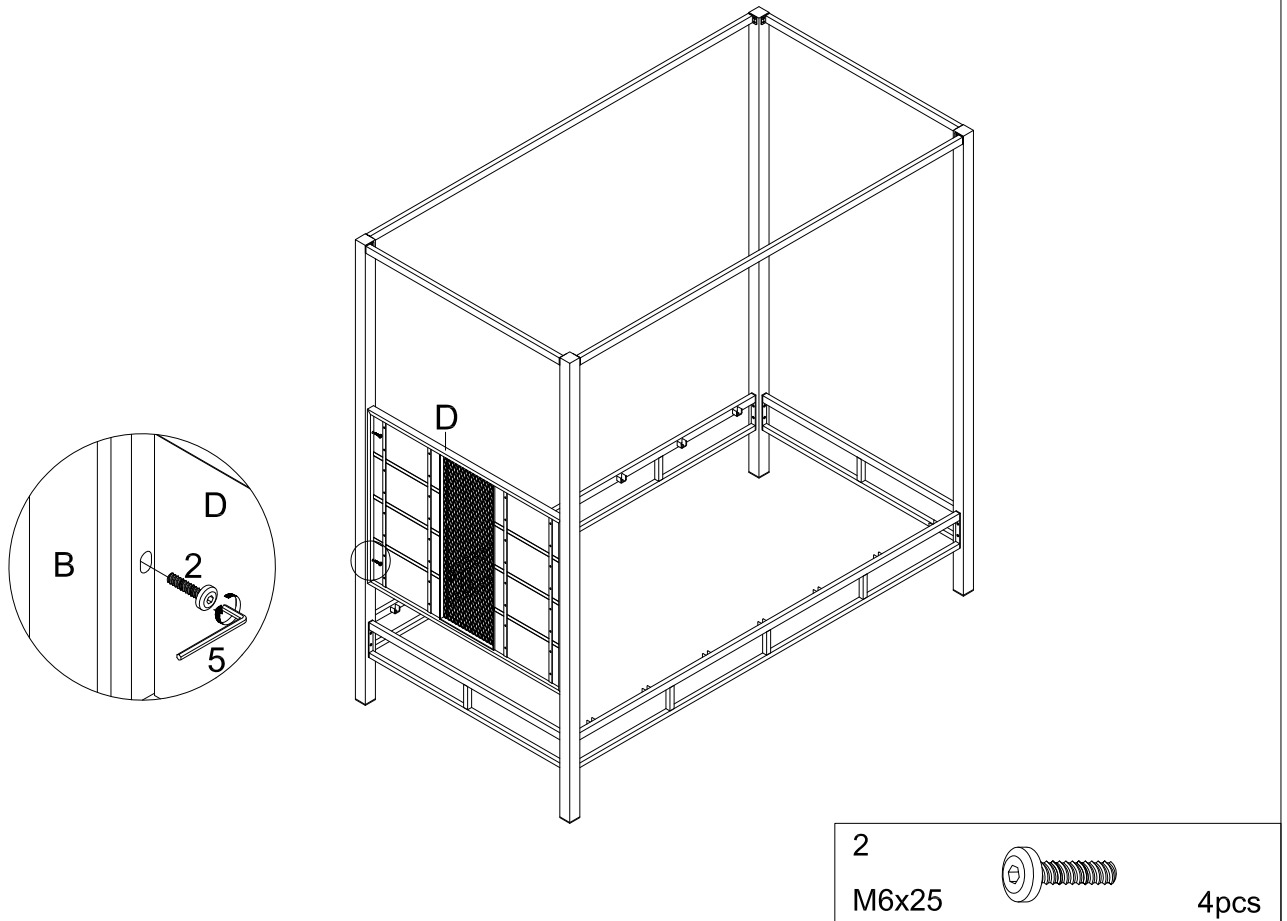
1  M6x15 28pcs	2  M6x25 4pcs	3  M6x65 4pcs
4  Ø18xØ9x2.0 4pcs	5  4x4 1pc	



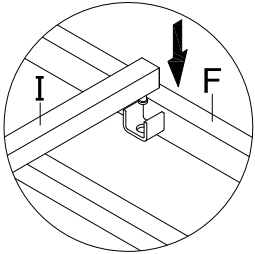
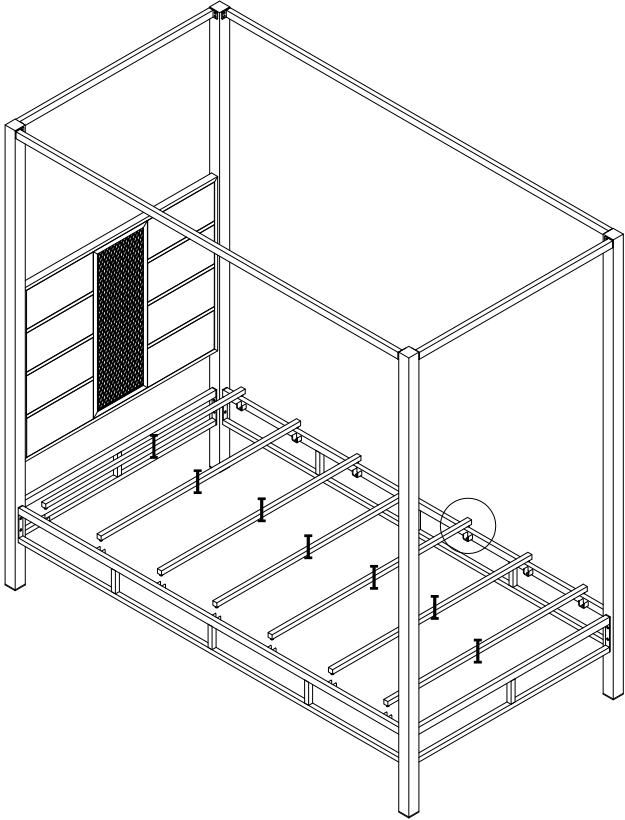
STEP 1.



STEP 2.



STEP 3.



STEP 4.

