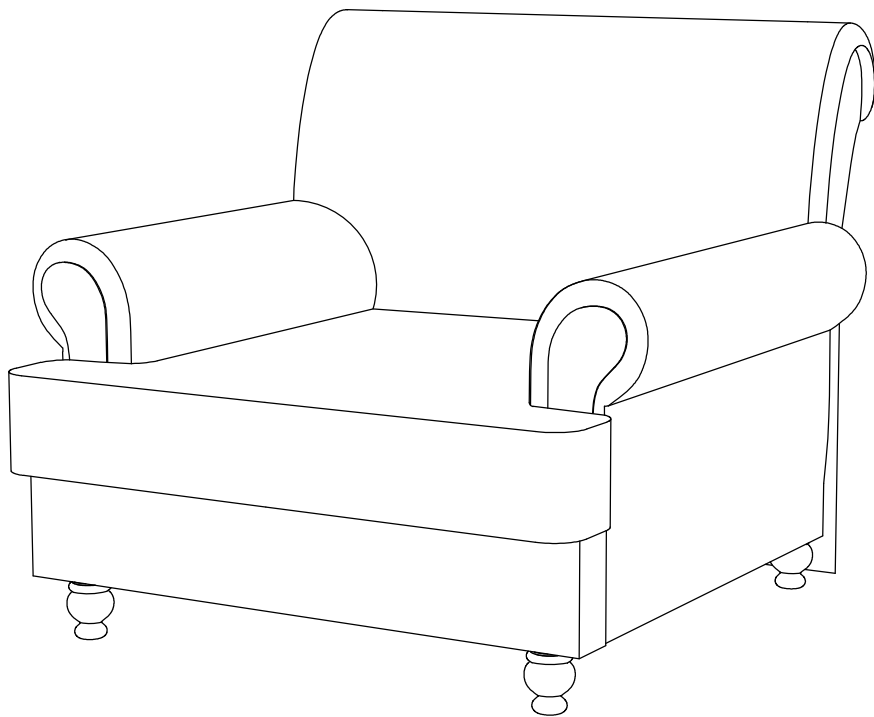




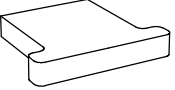
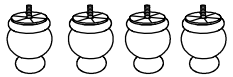
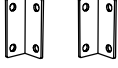


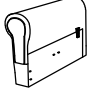
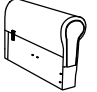


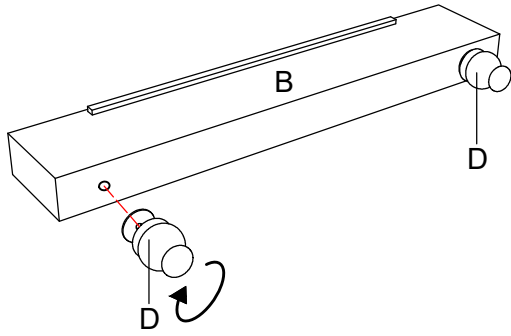
ACCENT CHAIR

ASSEMBLY INSTRUCTIONS

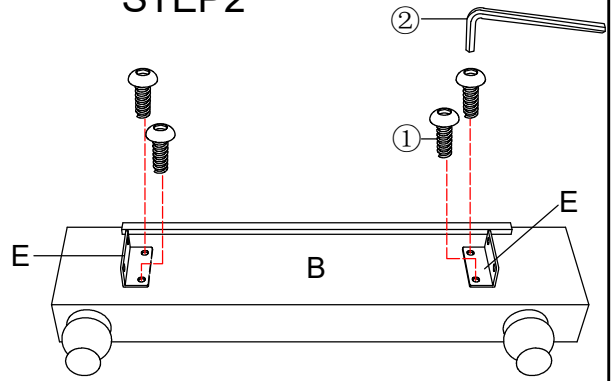


CARTON	ID	PARTS IDENTIFICATION	QTY	ID	HARDWARE PACKAGE	QTY
LX03-C1	A	BACK 	1PC	①	 SCREWS	12PCS
	B	FRONT PANEL 	1PC	②	 HEXAGON CROSS WRENCH	1PC
	C	SEAT CUSHION 	1PCS			
	D	SOFA LEGS 	4PCS			
	E	ANGLE IRON 	2PCS			
	F	MID-RAIL 	1PC			
	G	SEAT CUSHION BOTTOM PLATE 	1PC			
LX03-C - ARM	H	LEFT ARM 	1PC			
	I	RIGHT ARM 	1PC			

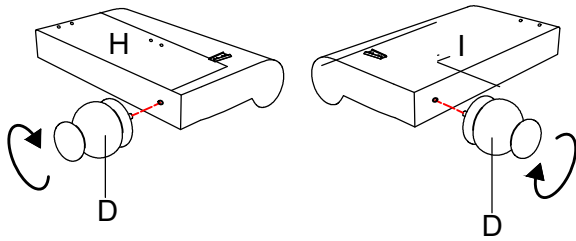
STEP1



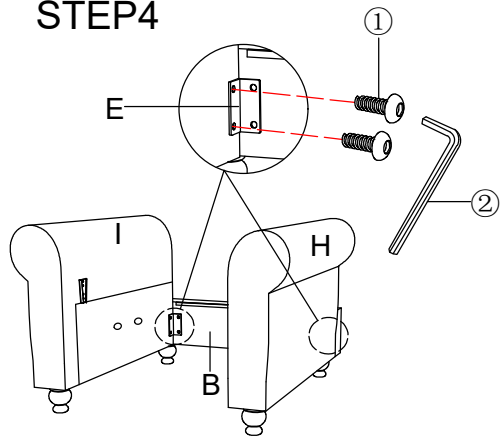
STEP2



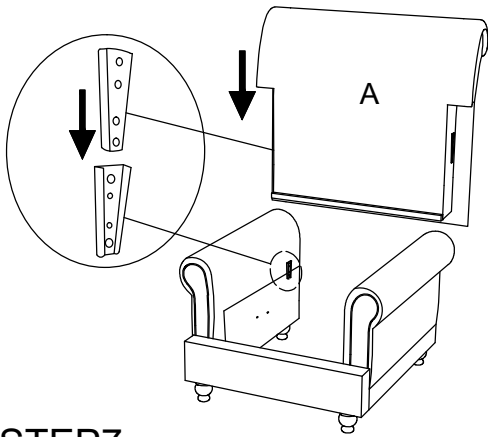
STEP3



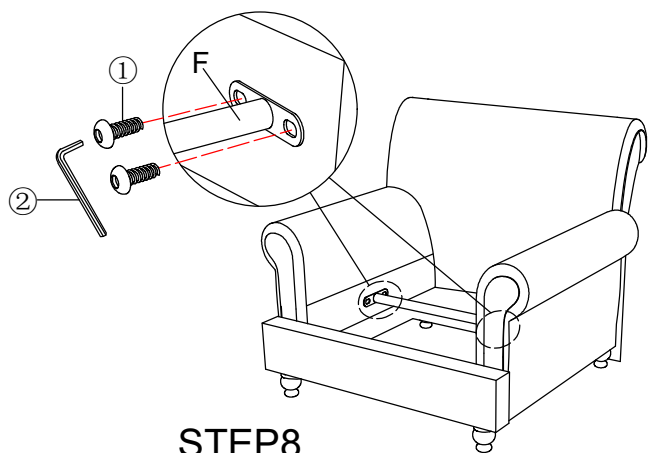
STEP4



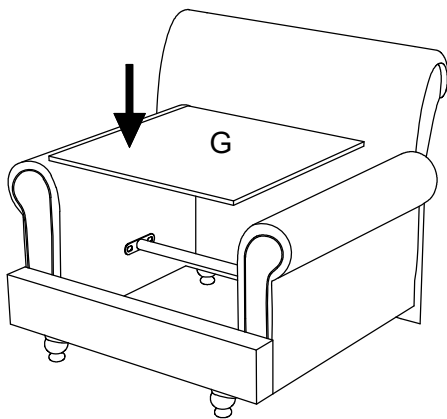
STEP5



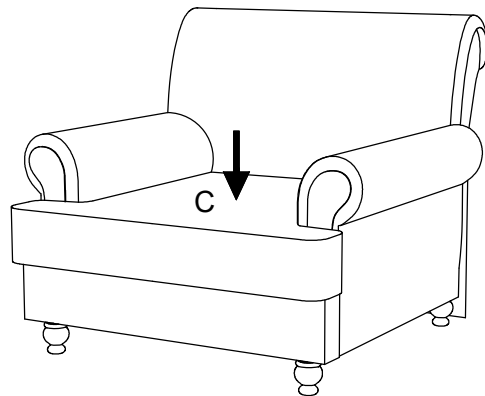
STEP6



STEP7



STEP8



ITEM ACCENT CHAIR

ASSEMBLY INSTRUCTIONS

ASSEMBLY TIPS

1. Remove hardware from box and sort by size.
2. Please check to see that all hardware and parts are present prior to start of assembly.
3. Please follow attached instructions in the same sequence as numbered to assure fast & easy assembly.



WARNING!

1. Don't attempt to repair or modify parts that are broken or defective. Please contact the store immediately.
2. This product is for home use only and not intended for commercial establishments.

ASSEMBLY TIME: 20 MINUTES

