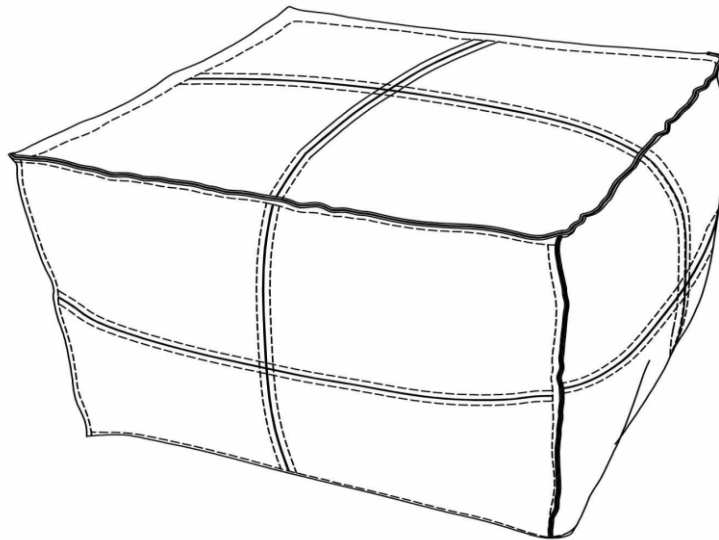


SIMPLIHOME®

Brody / Wendal / Gayla

Large Square Coffee Table Pouf

MODEL # AXCPFCT-I4-DDB



SIMPLIHOME®

Great quality is a right.

Thank you for shopping with Simpli Home,
America's top brand for high-value furniture.

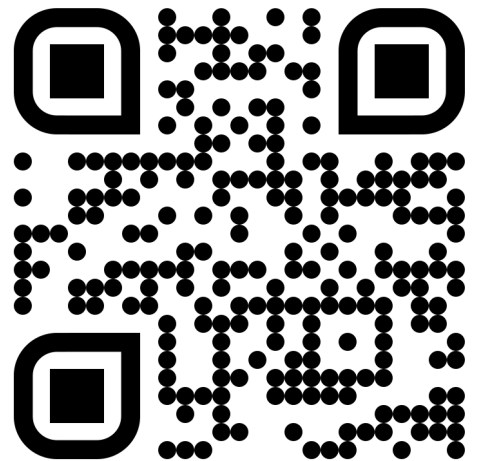


It's time to register your product warranty.

It's quick and easy. And you'll be happy you did.



- ✓ Activate your **1-year** warranty
- ✓ Automatic entry to win a **\$500** gift certificate
- ✓ Earn instant rewards and **save**

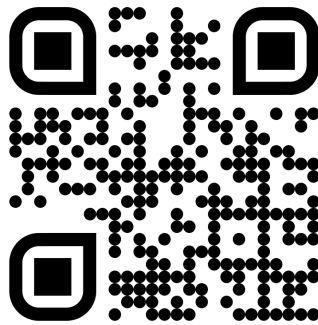


simpli-home.com/product-registration

SIMPLIHOME®

Review your product and collect rewards!

Thank you for your purchase! We hope you enjoy it. We'd love your feedback. Please share a review and get instant rewards!



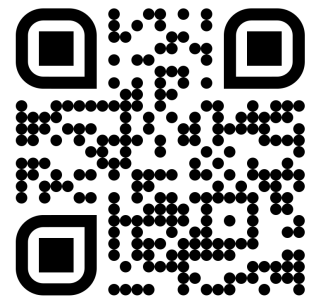
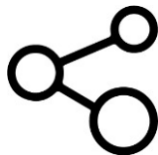
simpli-home.com/product-review



Share photos and get your cash back!



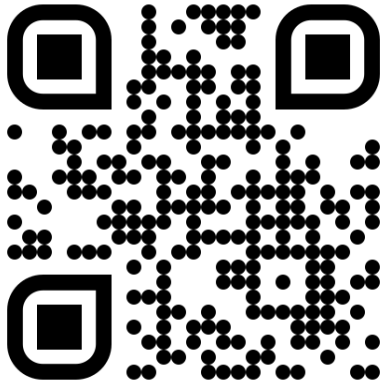
Send us images or share them on social and qualify for instant rewards. You may even receive store credit on your entire purchase!



simpli-home.com/share-images

SIMPLIHOME®

For fastest customer service



1. Open your phone's camera.
2. Point your phone's camera at the QR code to scan.
3. Click on the pop up.
4. You'll be taken to our customer service page.
5. Fill the form with your order information and issue.
6. Submit form.
7. A customer service associate will contact you.

Other ways to contact us...



Email Us

customerservice@simpli-home.com



Visit Us

Visit our site directly at
www.simpli-home.com



Call Us

1-866-518-0120
Monday to Friday
9am to 5pm EST

***If you've purchased from a retailer and you wish to return the product, please contact the retailer directly.**

Care & Maintenance

This furniture is designed for indoor use.

All furniture requires regular maintenance to look its best and the Pouf is no exception. Your Pouf will last long without needing a great deal of attention. Whether you use your Pouf as a footstool, occasional table or casual seating, there are tips that can help keep your Pouf looking good.

To help protect your Pouf, follow these steps:

- Dust regularly with a dry soft cloth
- Vacuum occasionally with a soft brush attachment
- Do not use a coarse brush or scrubbing brush as they can damage the fabric
- Blot spills immediately with a dry cloth
- If staining occurs, use a soft cloth with warm water
- Keep your Pouf out of direct sunlight so it does not fade or discolor
- If it can be avoided, do not place Pouf near heating vents, this will affect the filler and cause material to fade and crack
- Do not place hot items directly on top of the Pouf