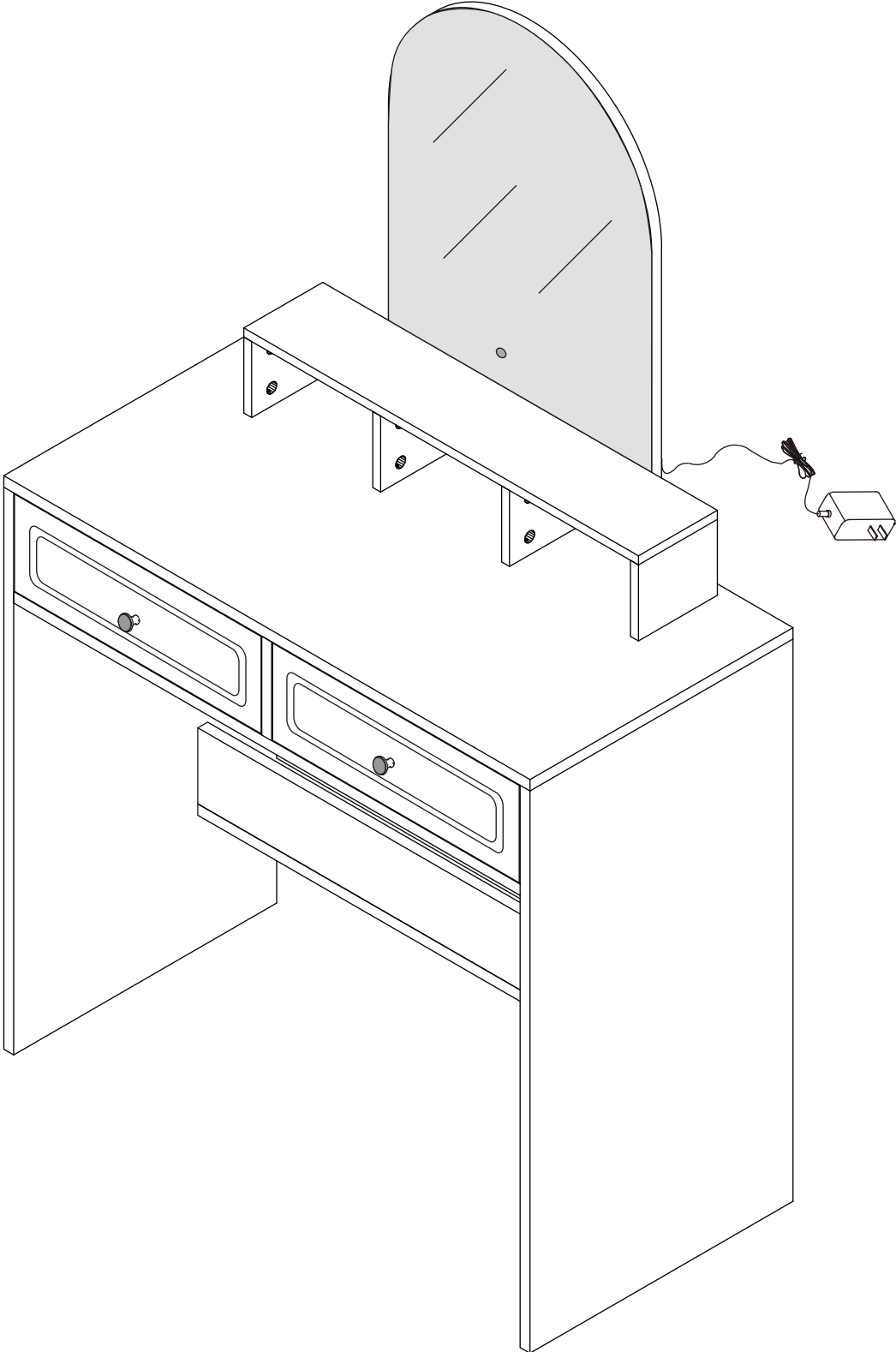
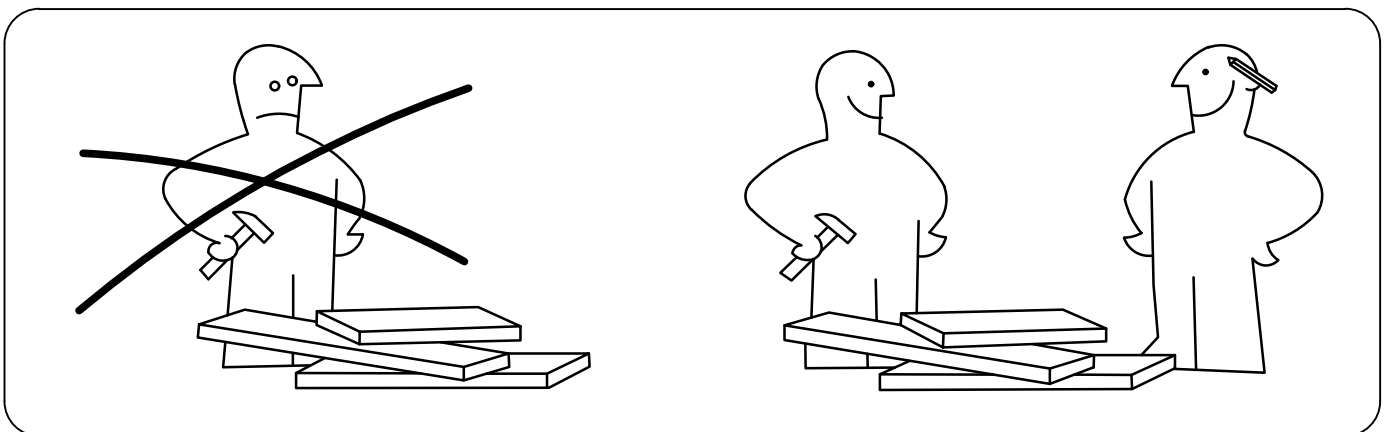
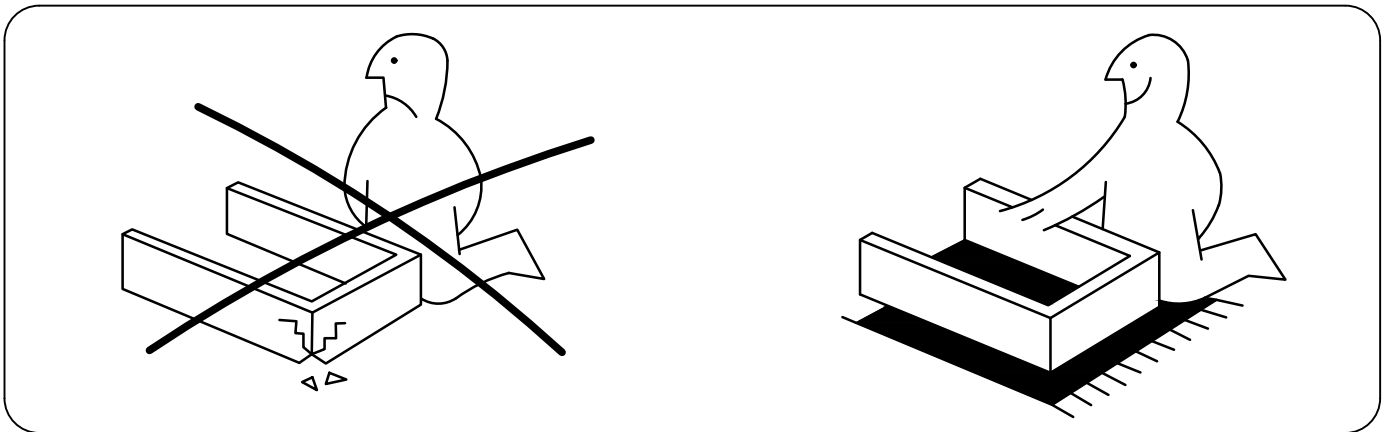


MAKRUP VANITY USER MANUAL



INTRODUCTION

Thank you for purchasing our products. Committed to providing customers with the best quality products and service has always been our lifelong goal. Before using the product, please read this instruction manual carefully to ensure correct use. Keep the instruction manual in a place where the user can find it at any time.



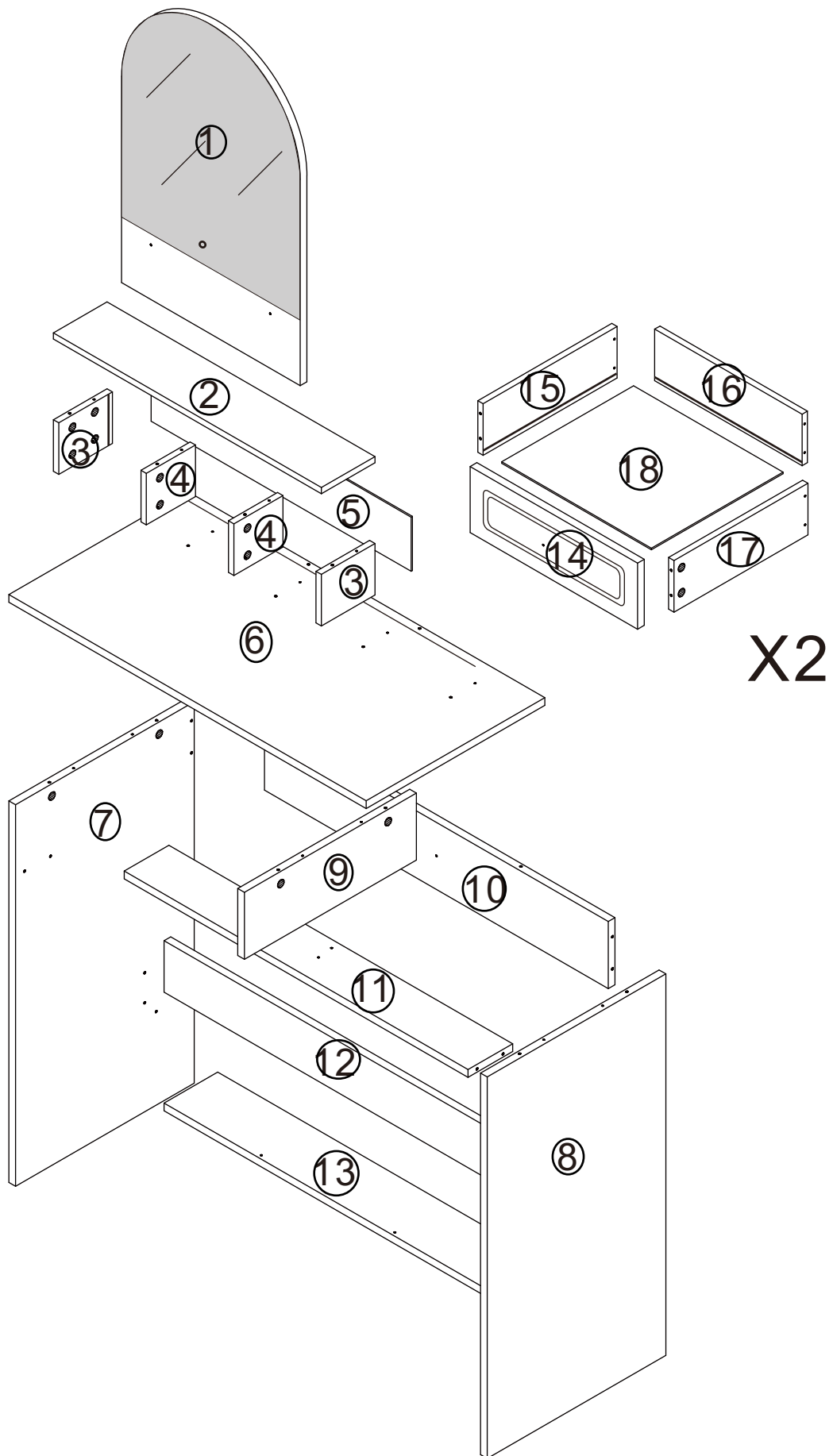
PRECAUTIONS

1. There are many components and accessories in the package. Each component and accessory is labeled with a letter or a number, check carefully before using any of them. Keep them away from children to prevent accidents.
2. Please install the product on a clean and soft underlay (such as carpet or cardboard) to avoid scratching or damaging the surface of the product.
3. The main components of the product is relatively heavy. Please pay attention to safety during installation.
4. The product is not stable during installation. Please do not move it randomly before it is completely installed.
5. If you have any questions during installation, please contact the customer service in time.

***PLEASE BE SURE TO FOLLOW THE INSTALLATION STEPS IN THE MANUAL TO AVOID UNNECESSARY LOSSES CAUSED BY IMPROPER INSTALLATION.**

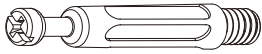
***IF YOU NEED FURTHER ASSISTANCE, PLEASE CONTACT THE CUSTOMER SERVICE ONLINE.**

PART LIST



HARDWARE LIST

A X 44



M6X35mm

B X 44



M15X12mm

C X 13



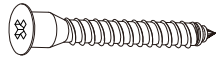
M6X30mm

D X 8



M3.5X35mm

E X 6



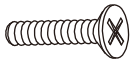
M5X40mm

H X 23



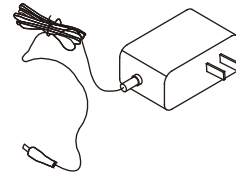
M3X12mm

M X 2



M4X16mm

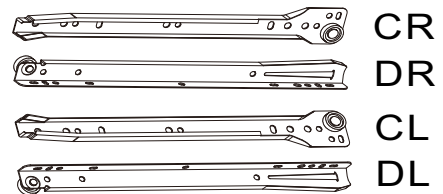
J X 1



N X 1



O X 2



L X 2



P X 4



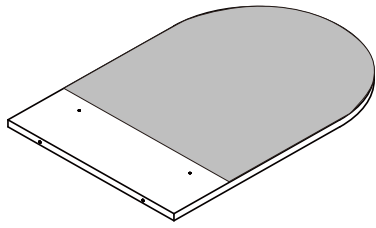
M3X14mm

Q X 4



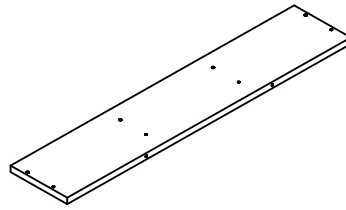
PANEL LIST

①



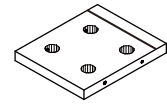
X 1PC

②



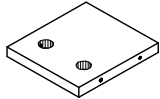
X 1PC

③



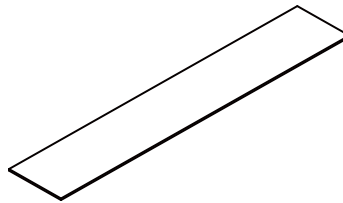
X 2PCS

④



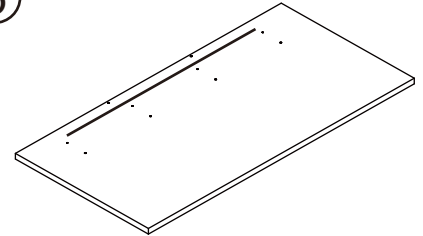
X 2PCS

⑤



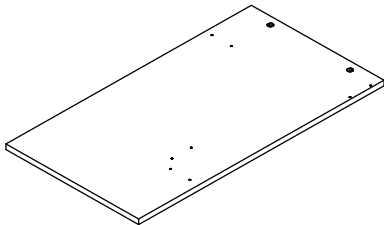
X 1PC

⑥



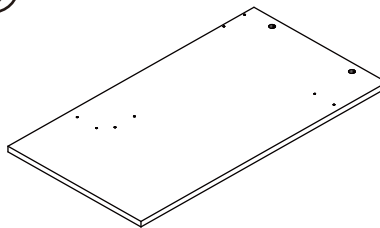
X 1PC

⑦



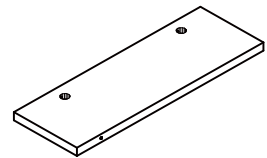
X 1PC

⑧



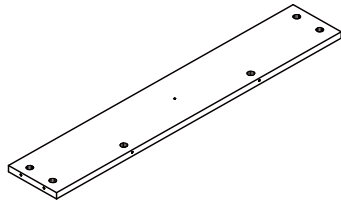
X 1PC

⑨



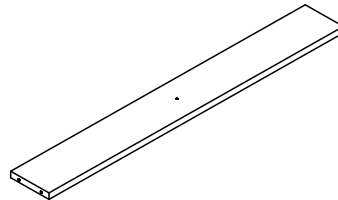
X 1PC

⑩



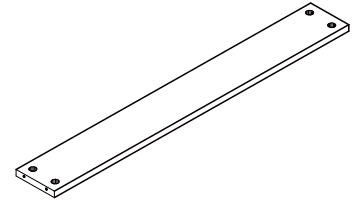
X 1PC

⑪



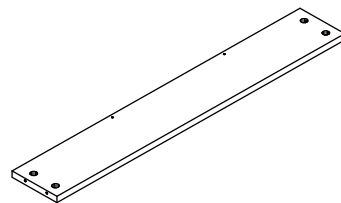
X 1PC

⑫



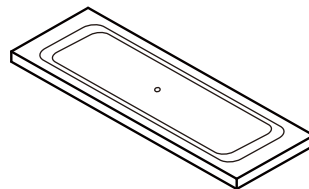
X 1PC

⑬



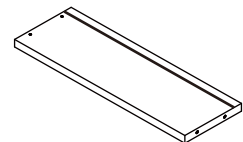
X 1PC

⑭



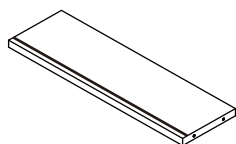
X 2PCS

⑮



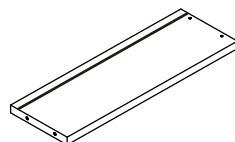
X 2PCS

⑯



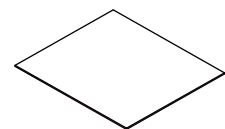
X 2PCS

⑰



X 2PCS

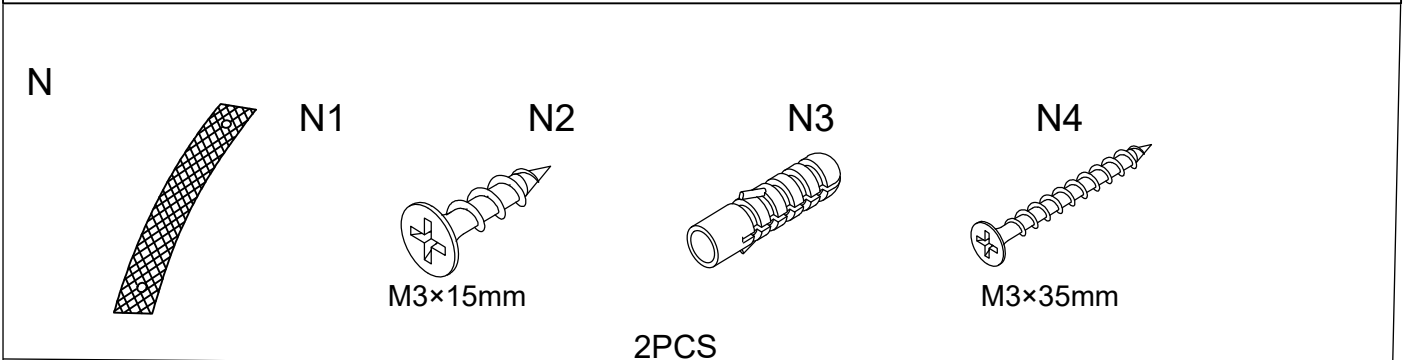
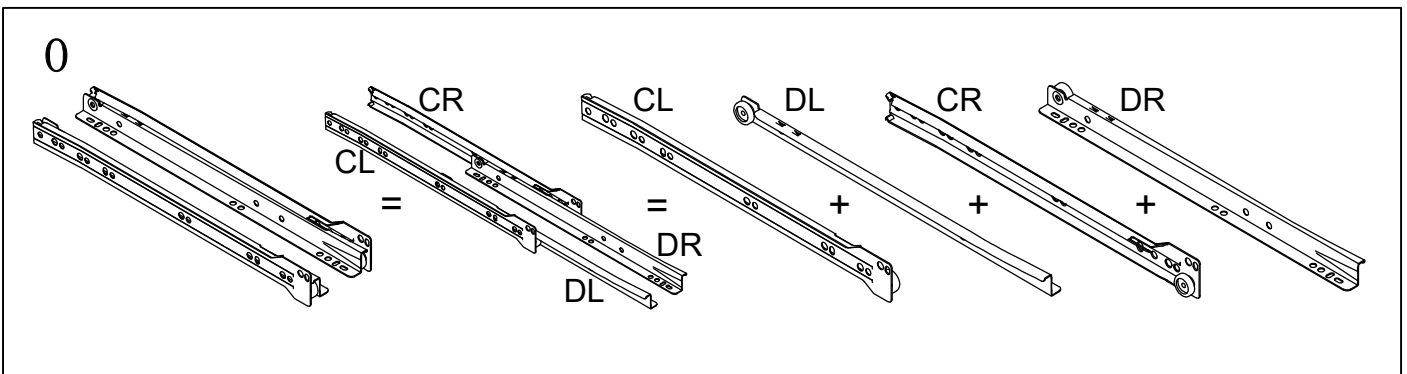
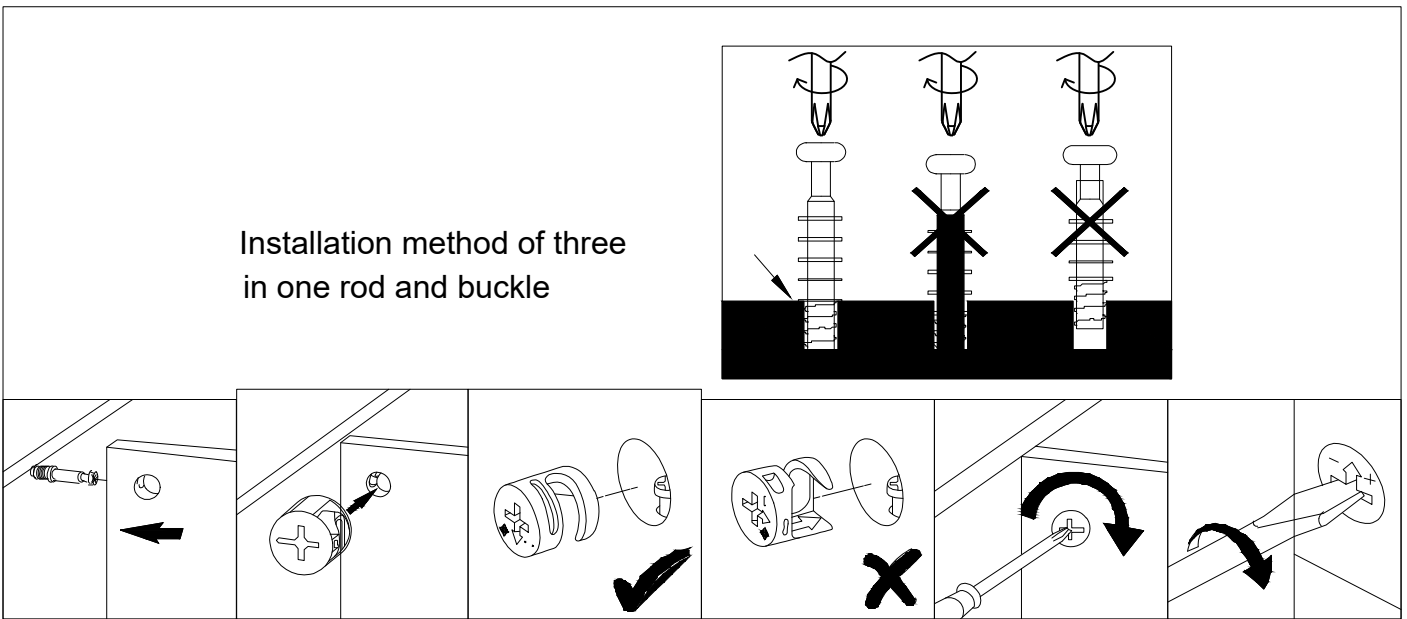
⑱



X 2PCS

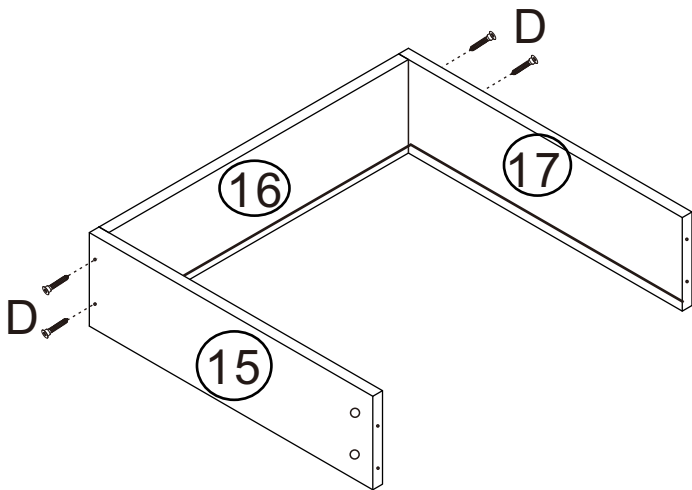
TIPS

1. When installing the product, use a soft surface (such as carpet or cardboard) to avoid scratching or damaging the surface of the product.
2. Please try to use a manual screwdriver instead of electric screw driver. A manual screwdriver can be used to better control the tightness of the screws.
3. Do not use any glue.
4. The product is unstable before it is assembled. Please pay attention to the product installation sequence, and align all screws and screw holes before tightening.
5. The structure of this product can not meet the requirements of children climbing.



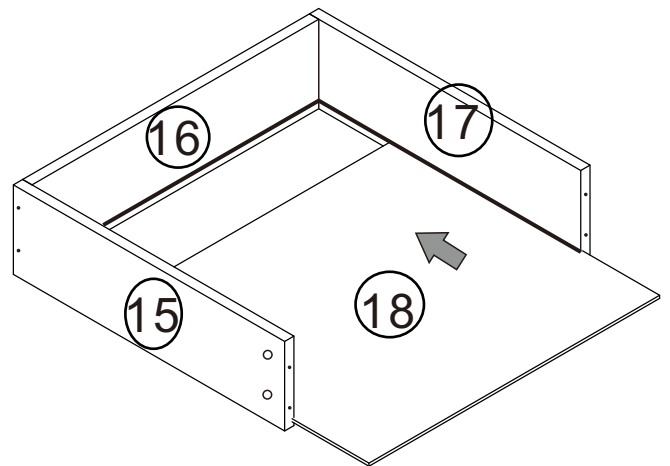
STEP 1

X 2



STEP 2

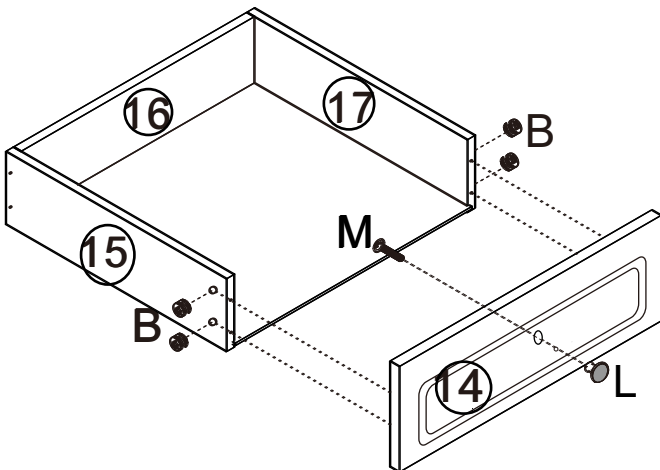
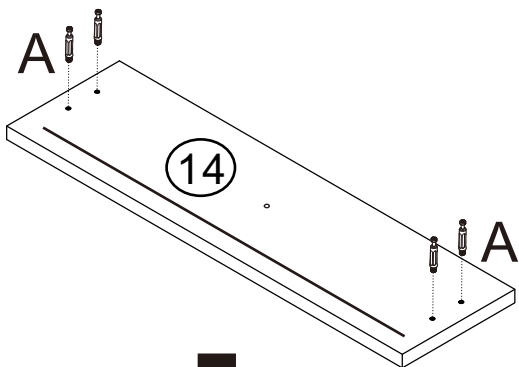
X 2



D X 8 PCS

STEP 3

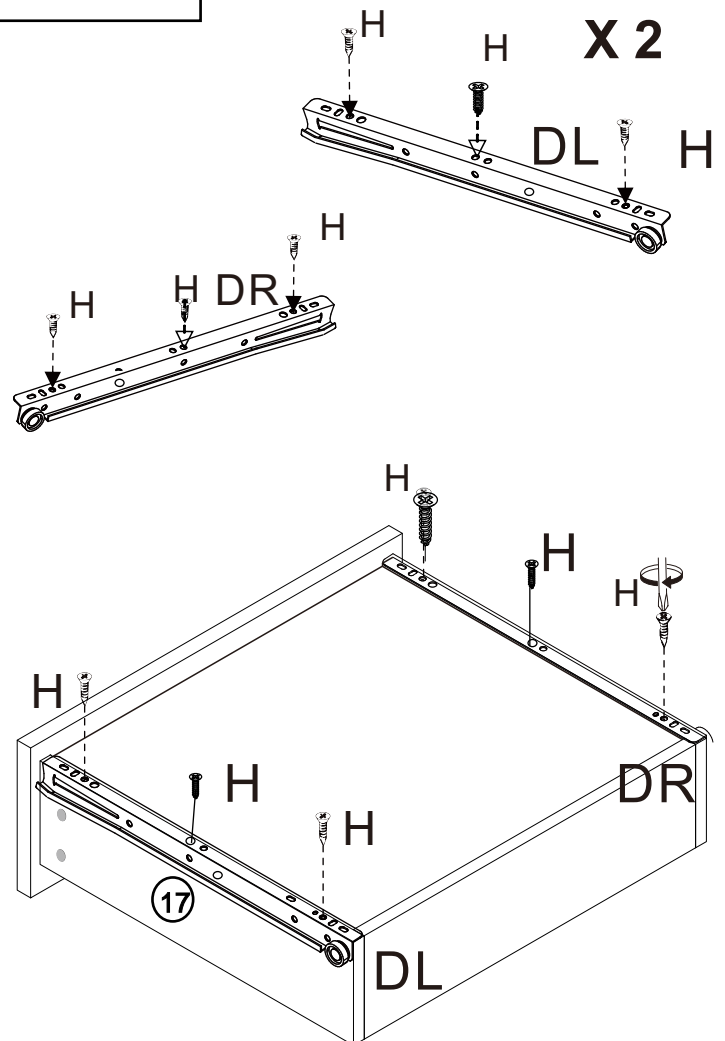
X 2



A X 8 PCS
B X 8 PCS
M X 2 PCS
L X 2 PCS

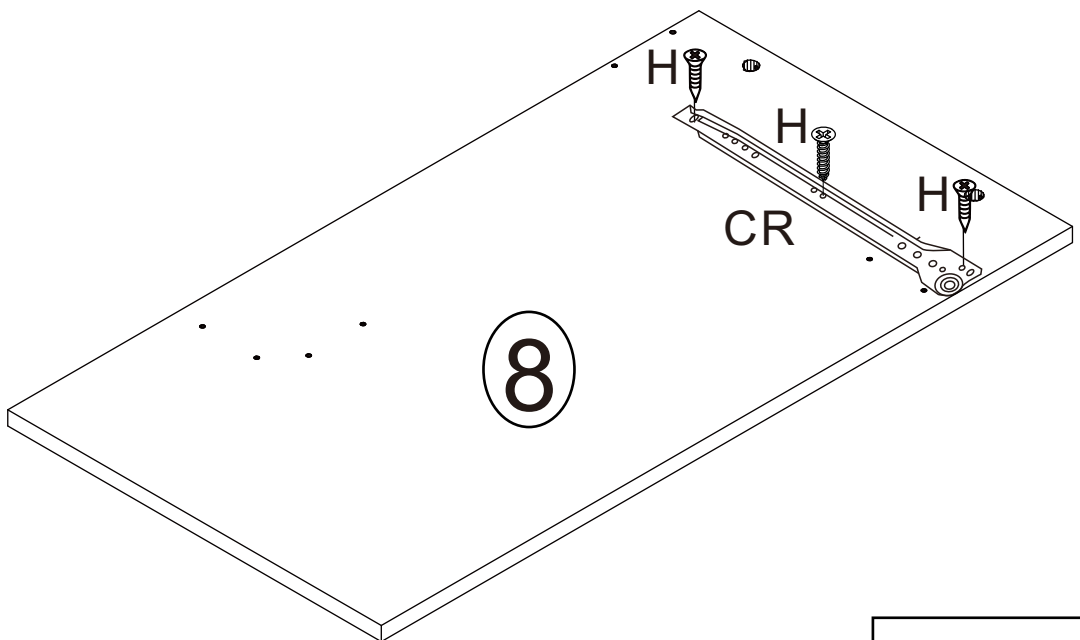
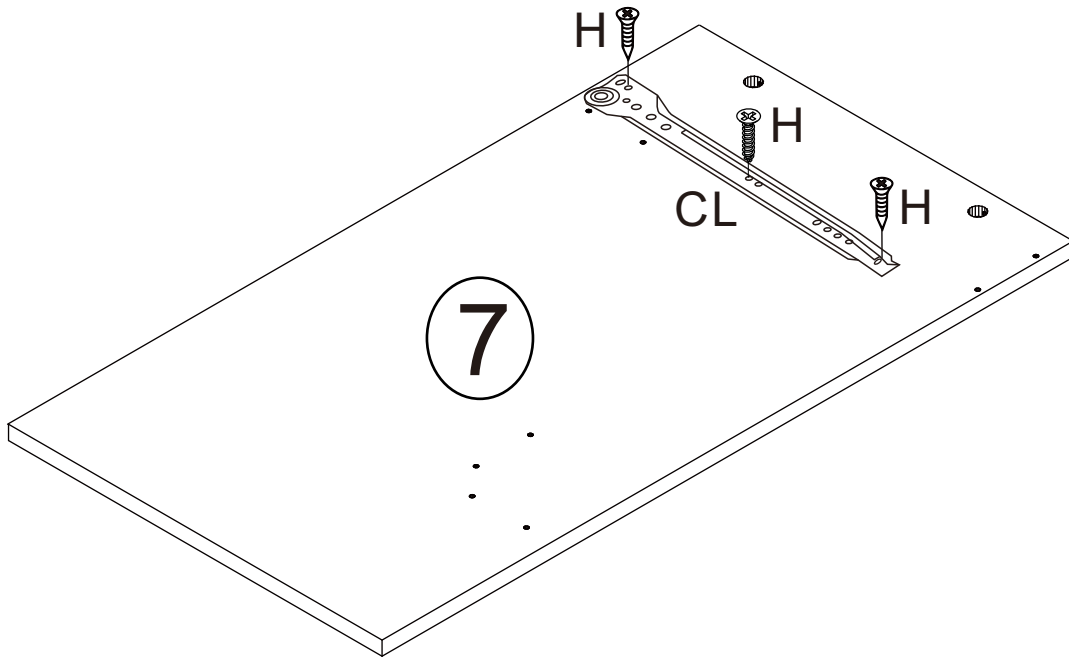
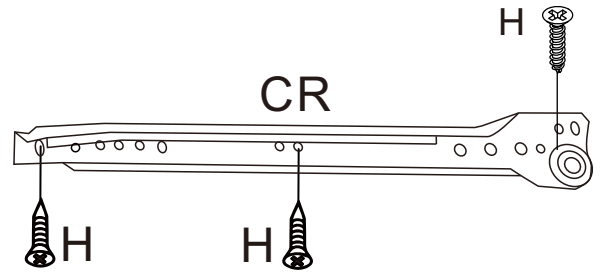
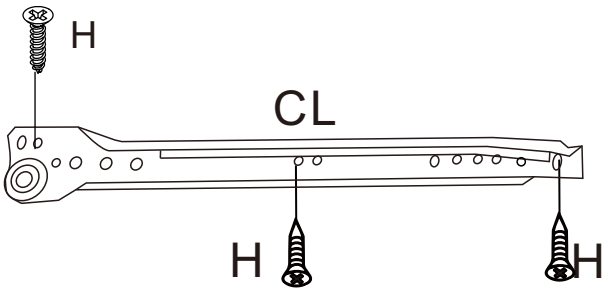
STEP 4

X 2



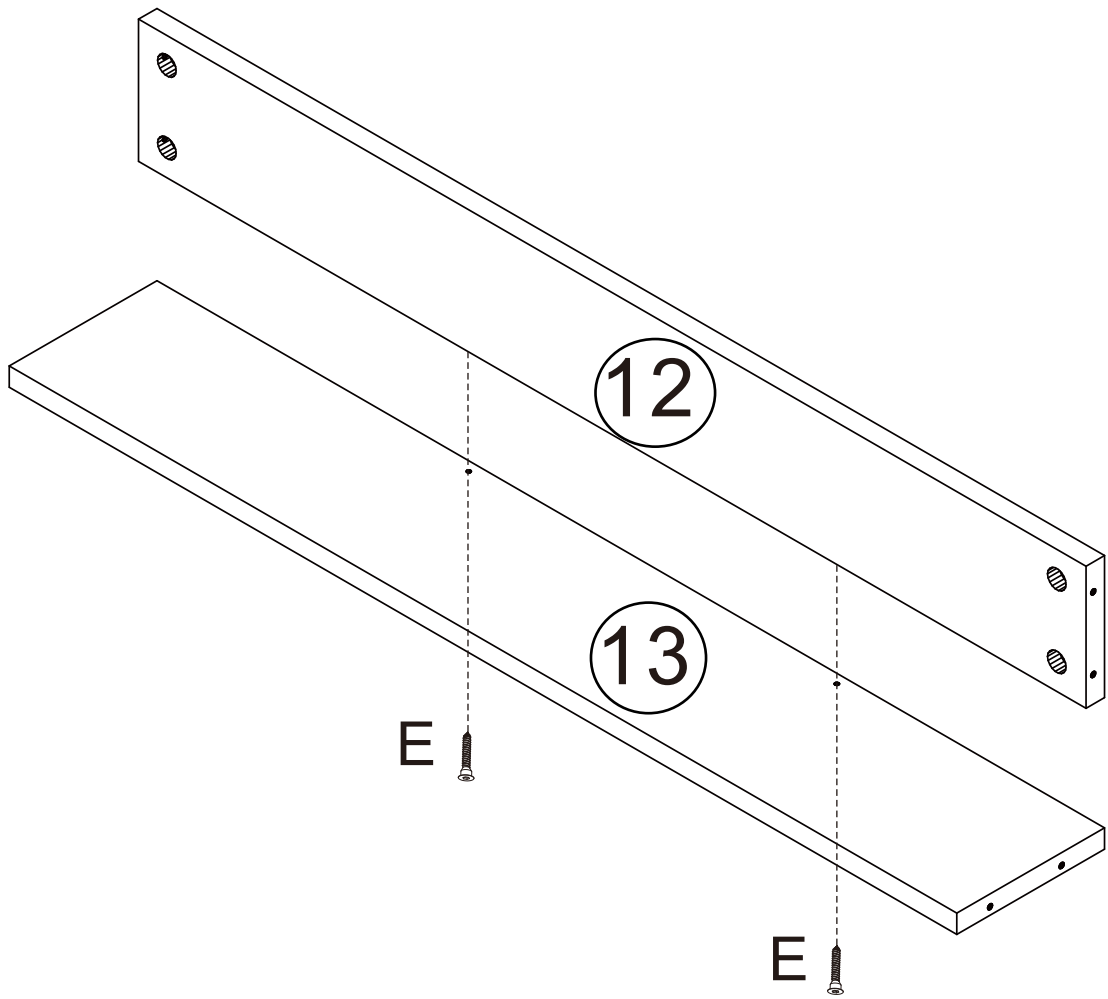
H X 12 PCS
DL X 2 PCS
DR X 2 PCS

STEP 5



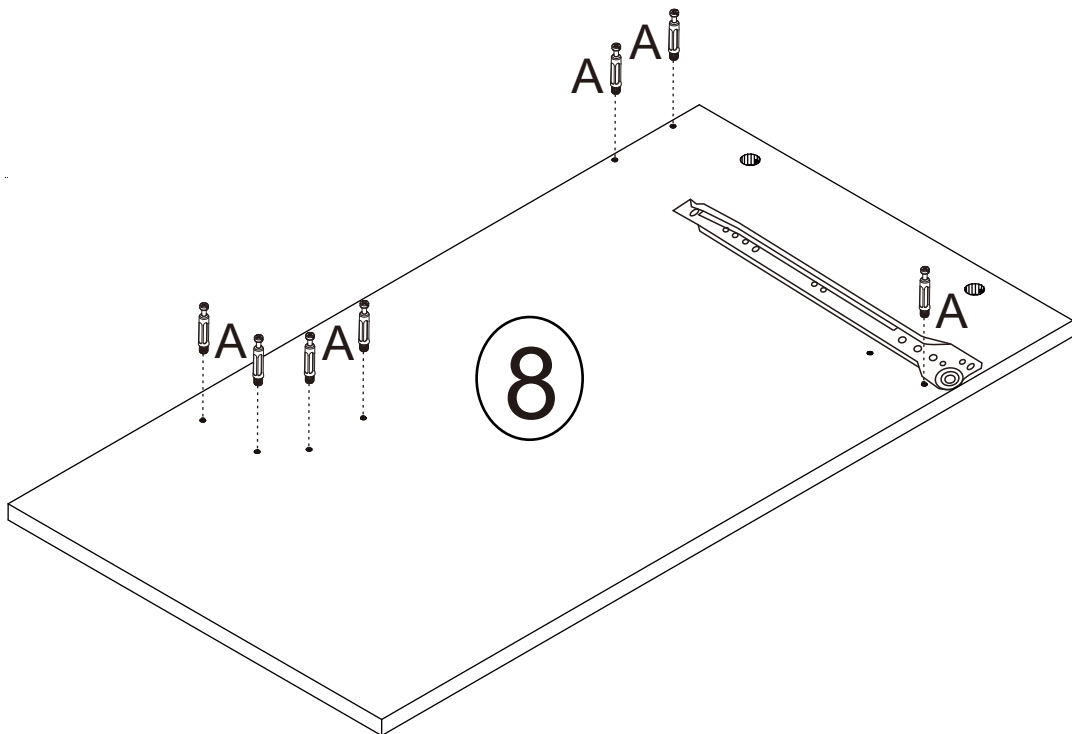
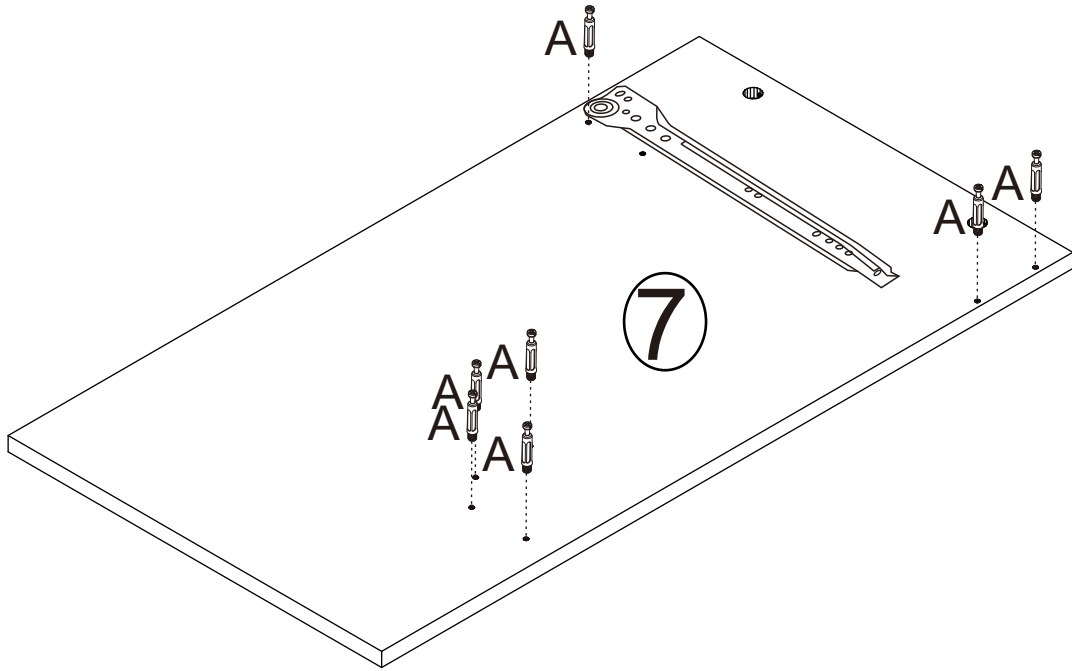
H X 6PCS
DL X 1PC
DR X 1PC

STEP 6



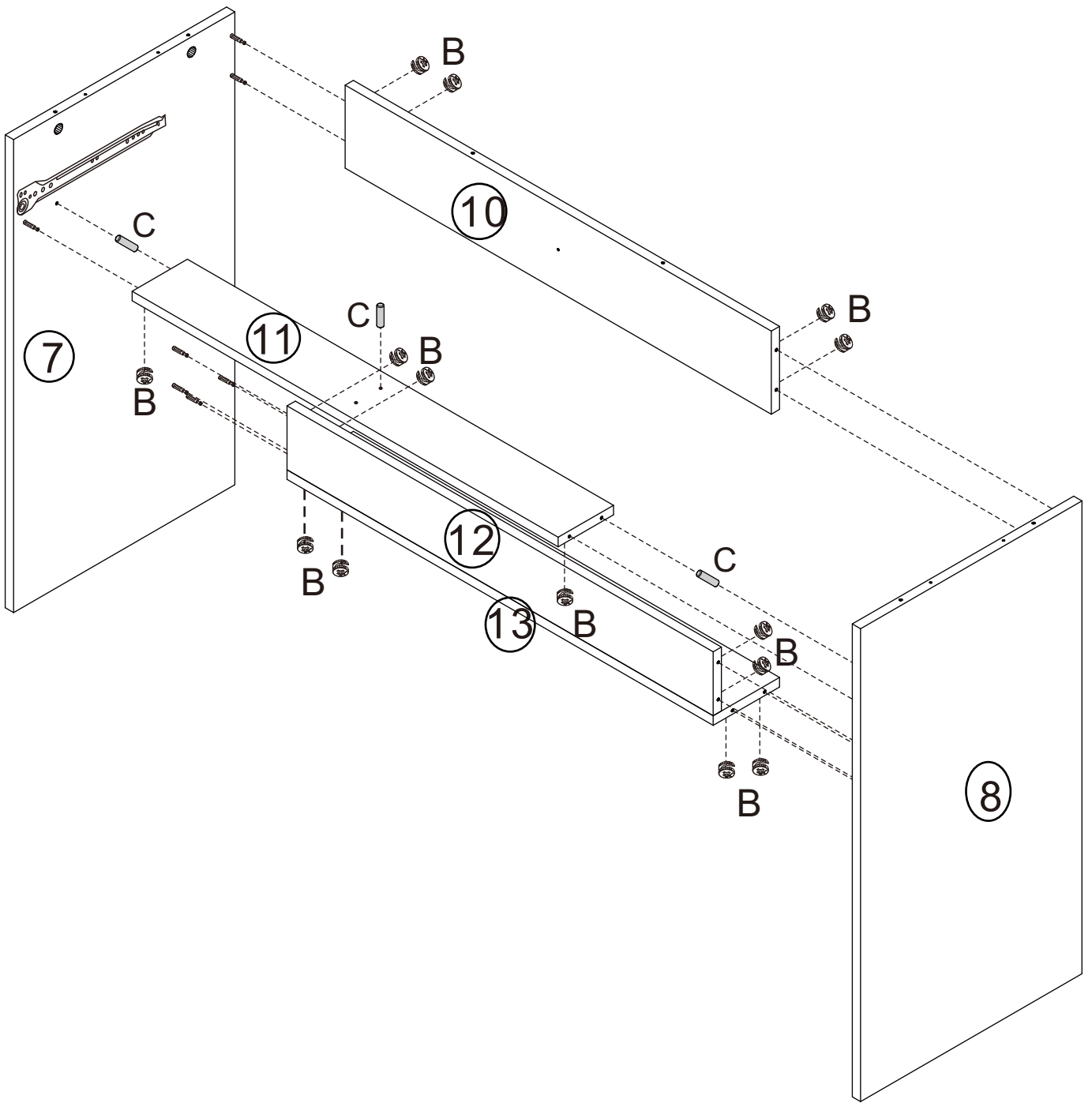
E X 2PCS

STEP 7



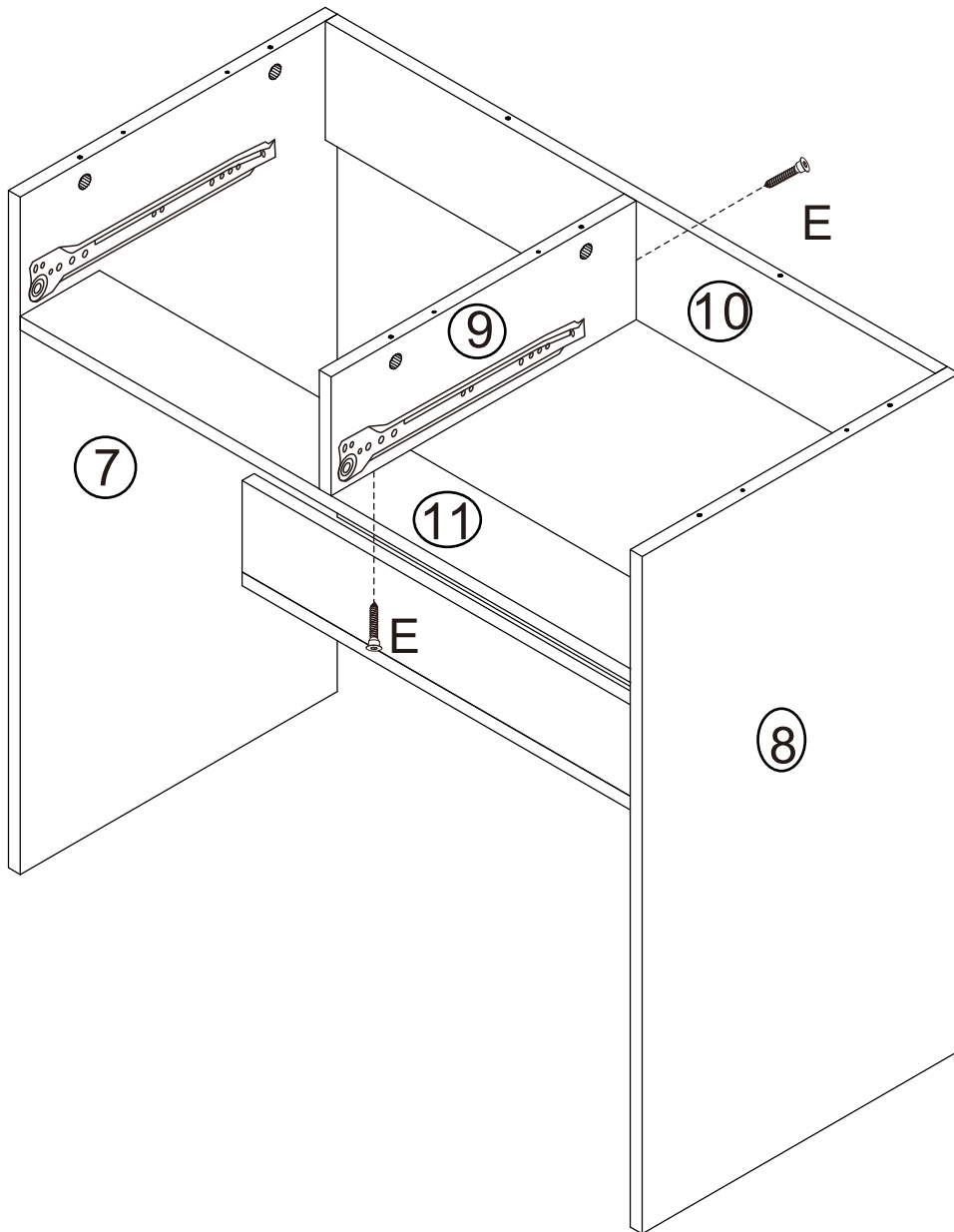
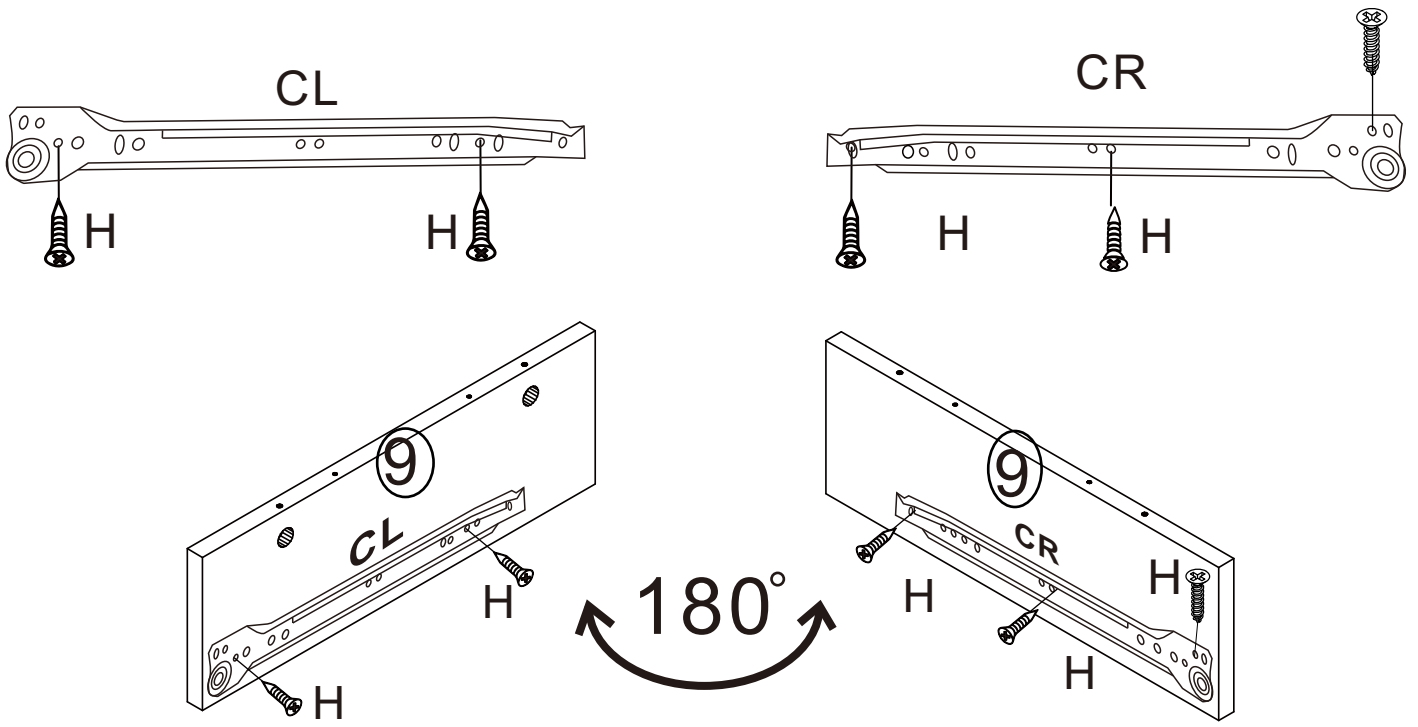
A X14PCS

STEP 8



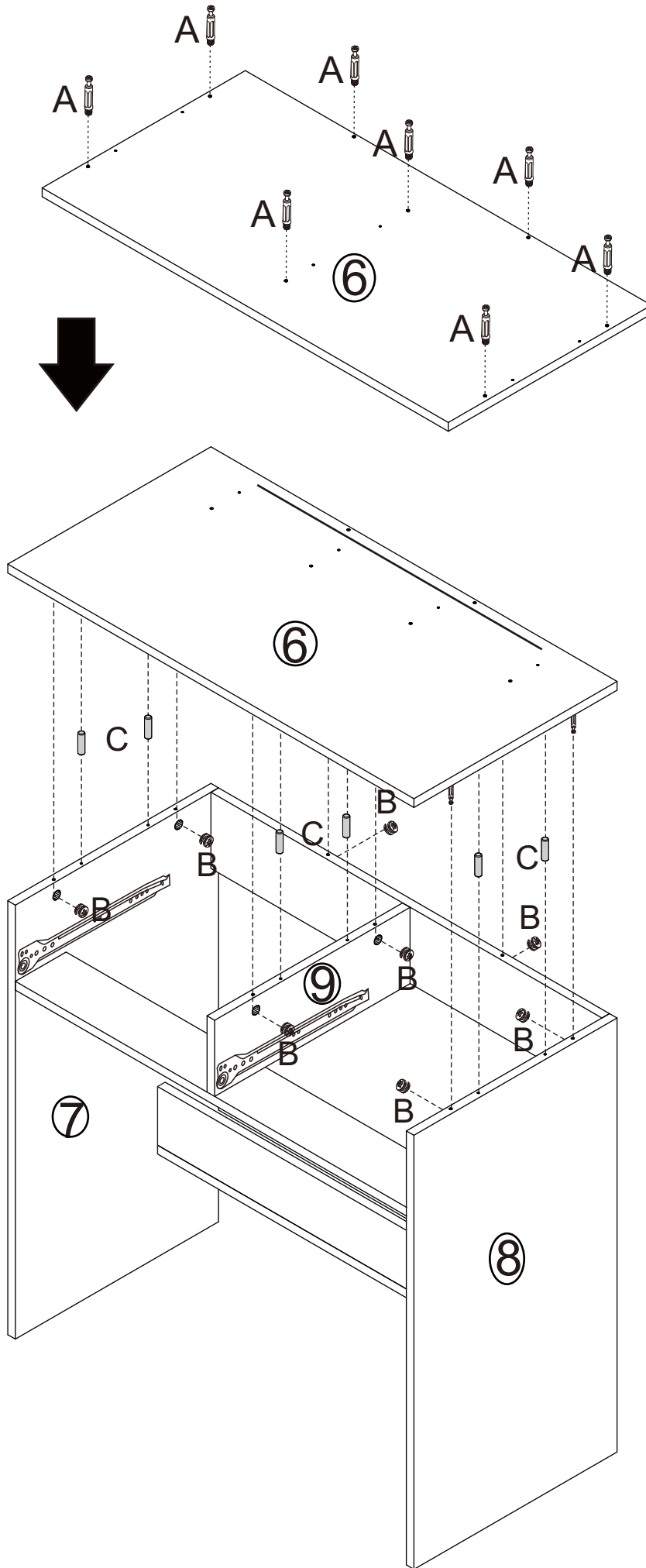
B X 14PCS
C X 3 PCS

STEP 9



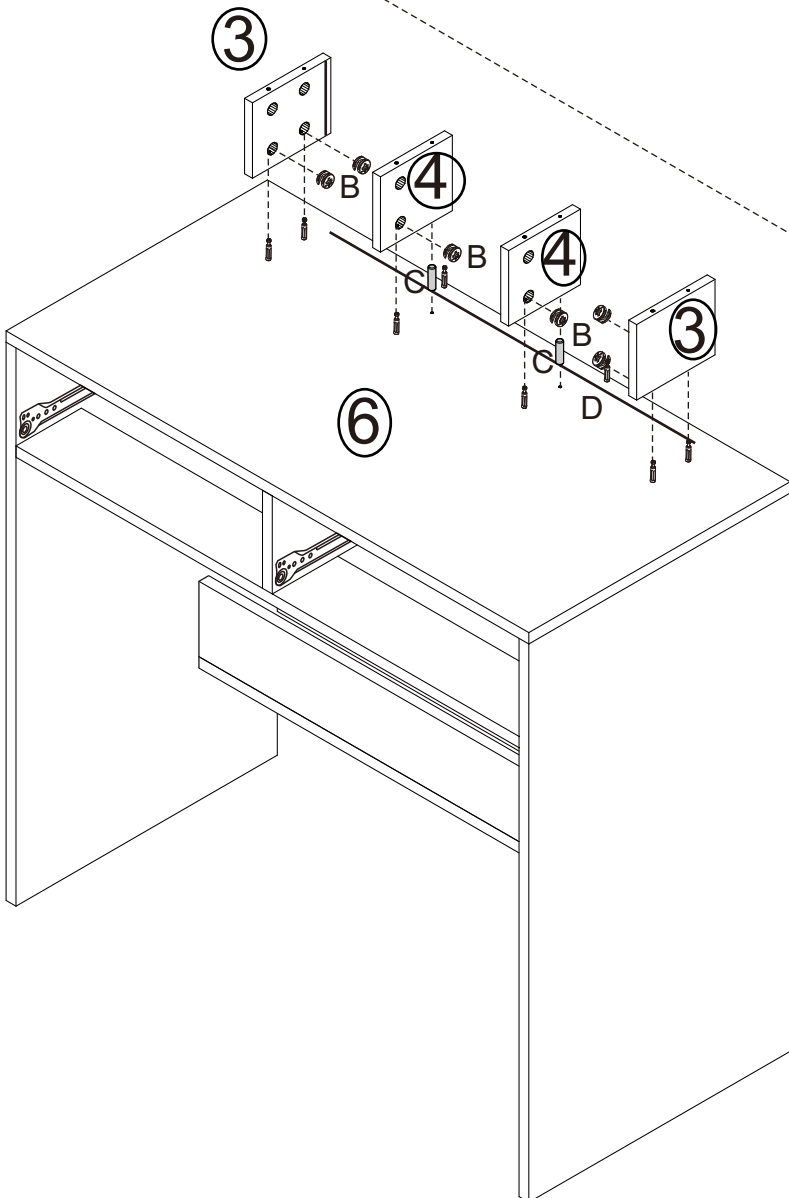
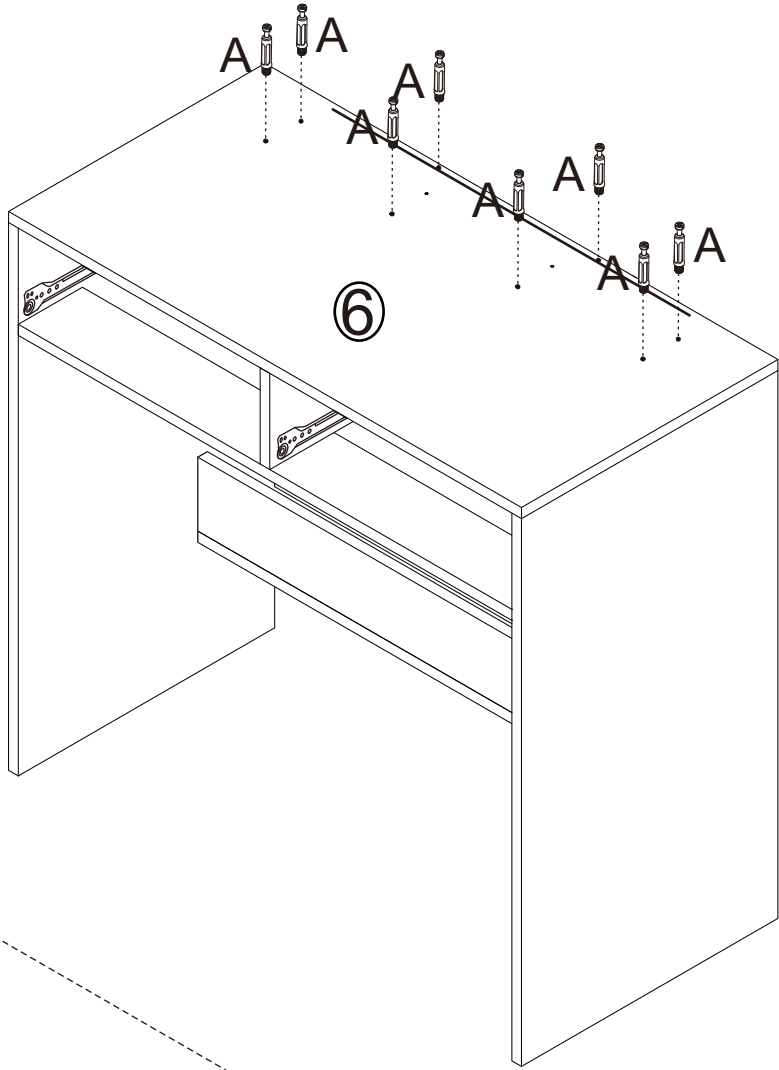
E X 2PCS
H X 5PCS
CL X 1PC
CR X 1PC

STEP 10



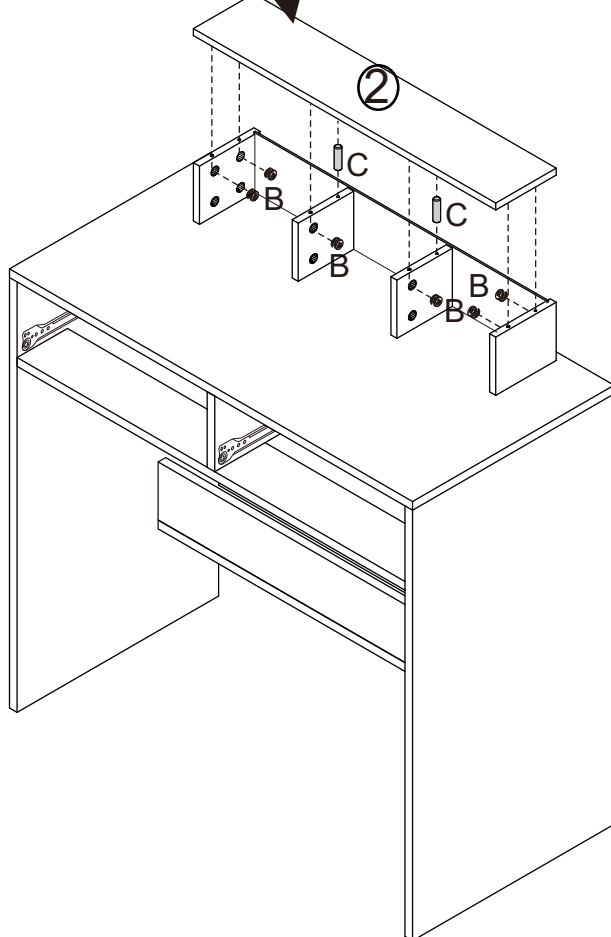
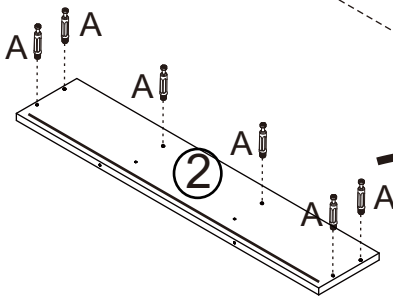
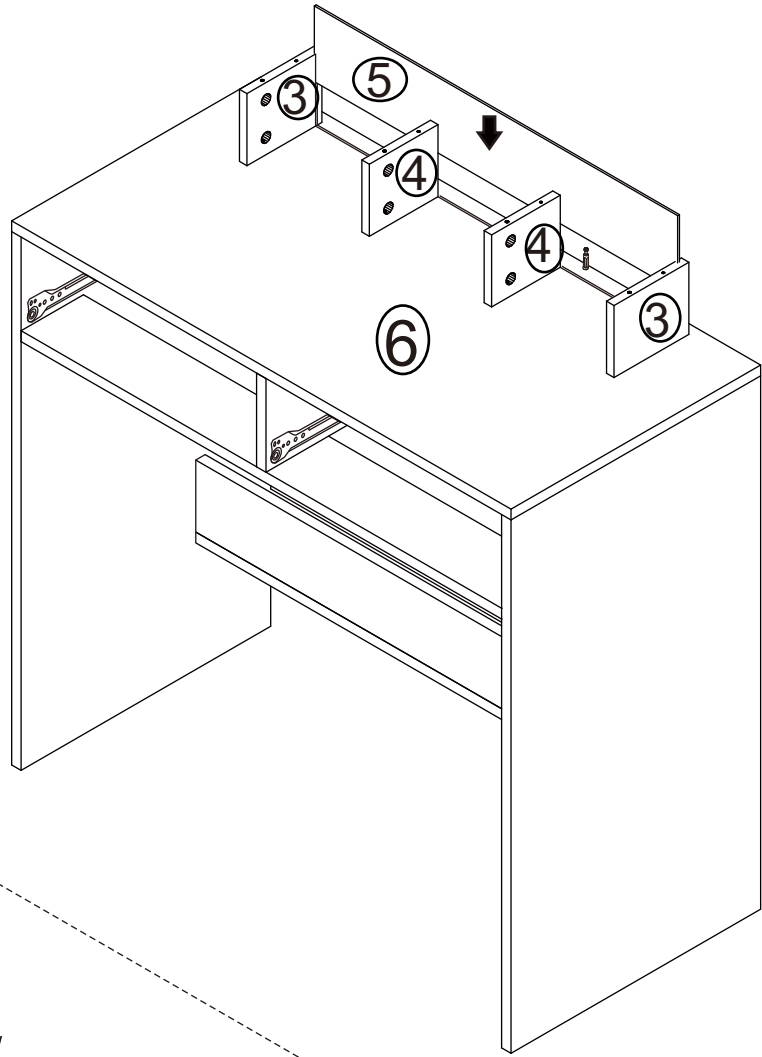
A X 8 PCS
B X 8 PCS
C X 6 PCS

STEP 11



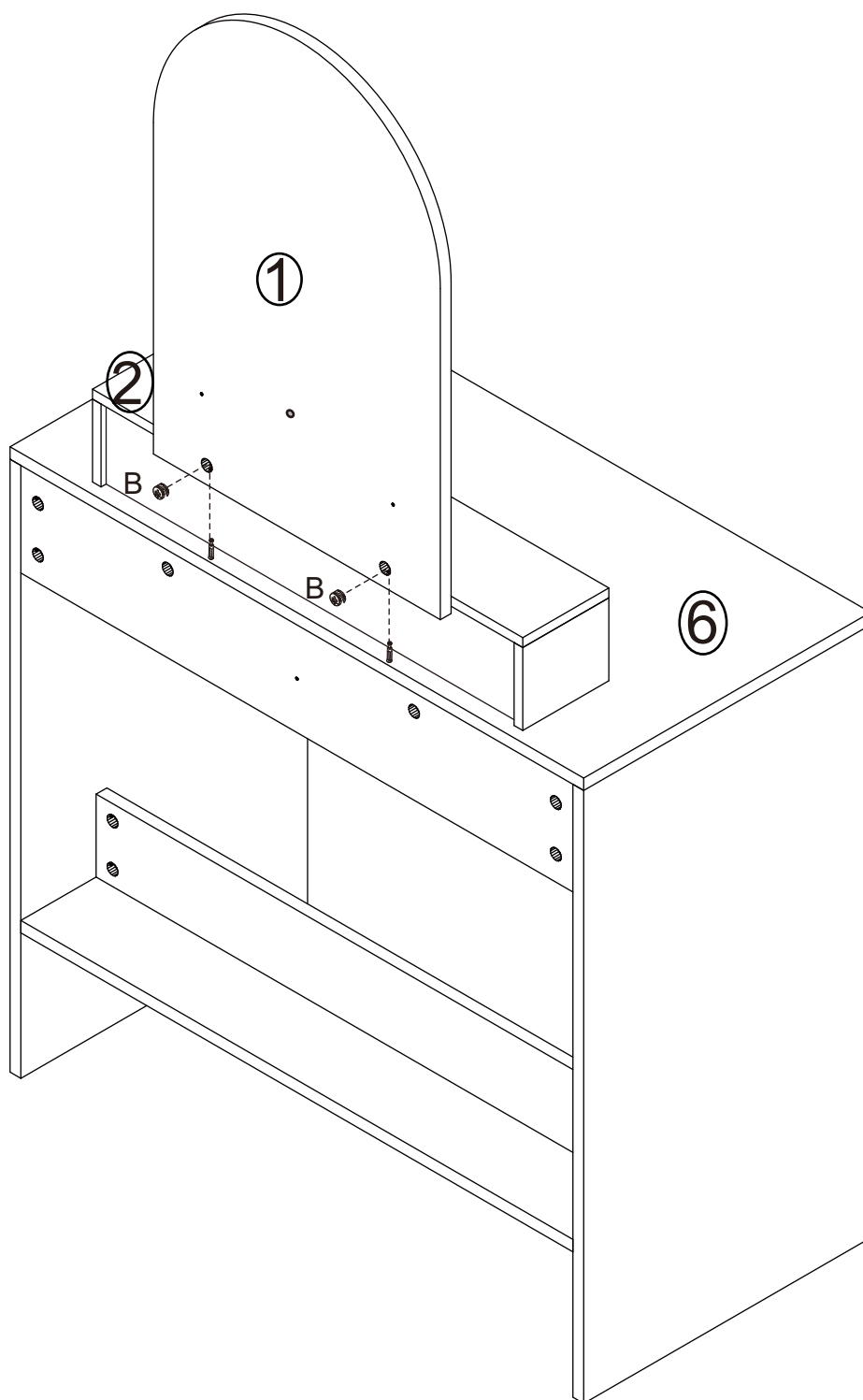
A X 8PCS
B X 6PCS
C X 2PCS

STEP 12



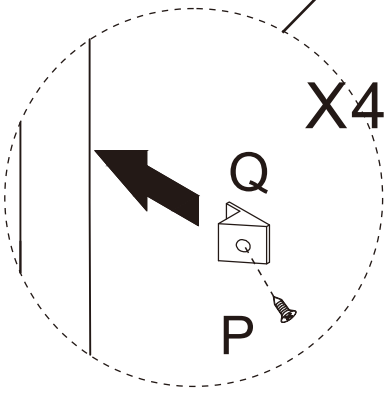
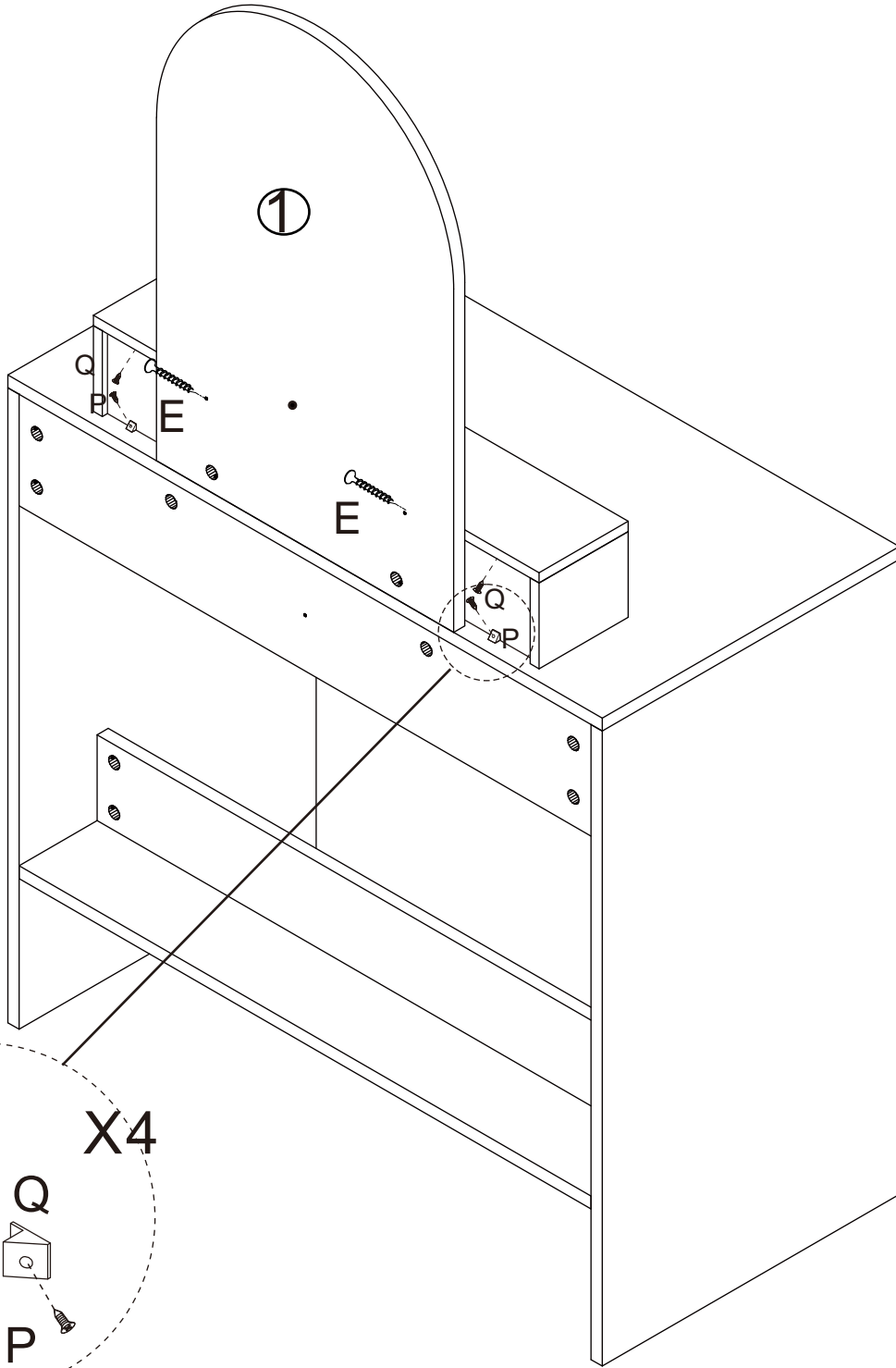
A X 6PCS
B X 6PCS
C X 2PCS

STEP 13




B X 2PCS


STEP 14



P X 4PCS
Q X 4PCS
E x 2pcs

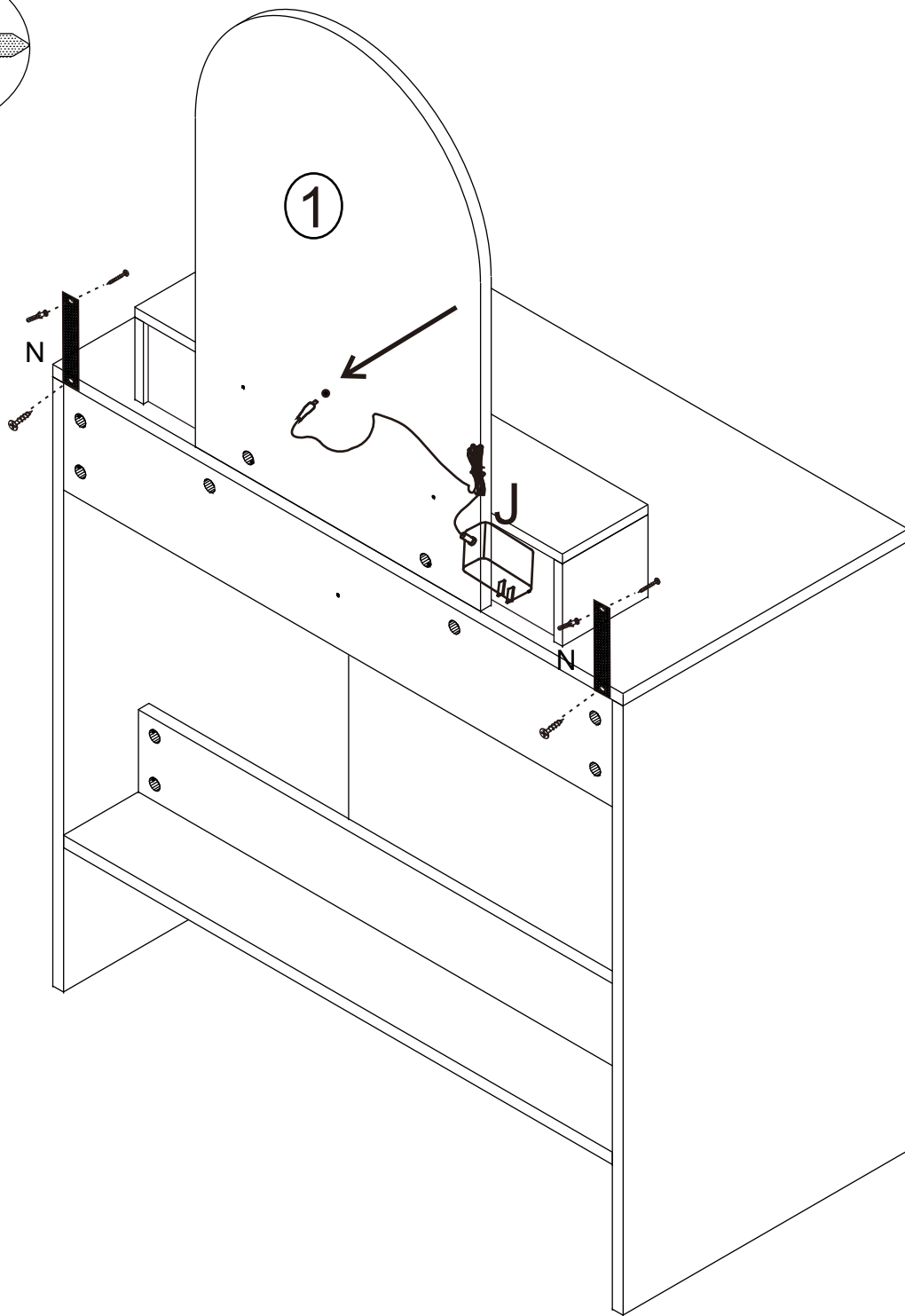
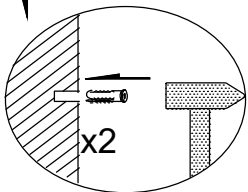
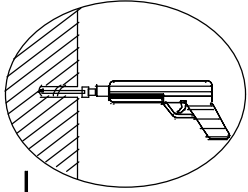
STEP 15

N3x2 

N4x2 

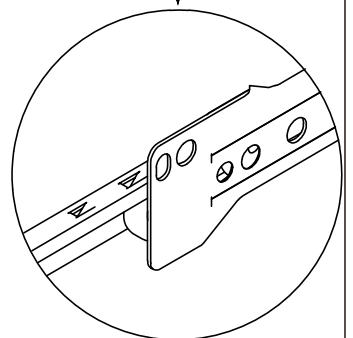
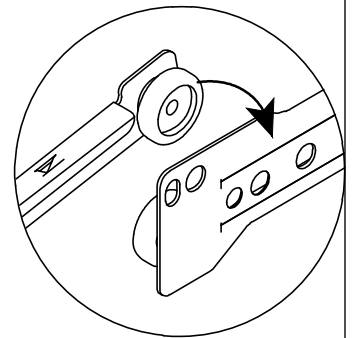
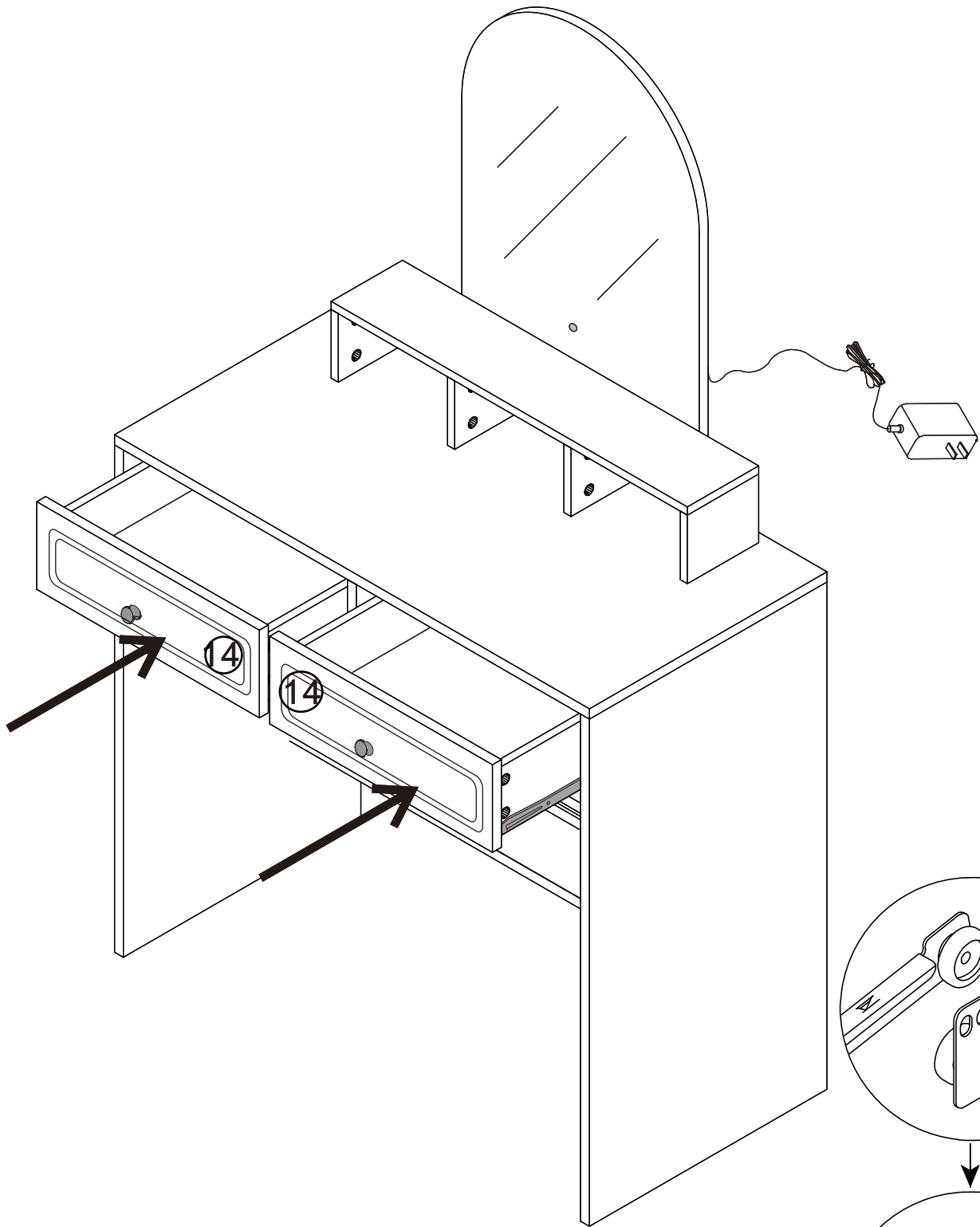
MANDATORY!

For safety reasons, we recommend you follow these instructions to install the anti-tipping hardware, when installed properly, this hardware may prevent the unit from tipping unexpectedly.



J X 1PC
NX 2SETS

STEP 16



STEP 16

