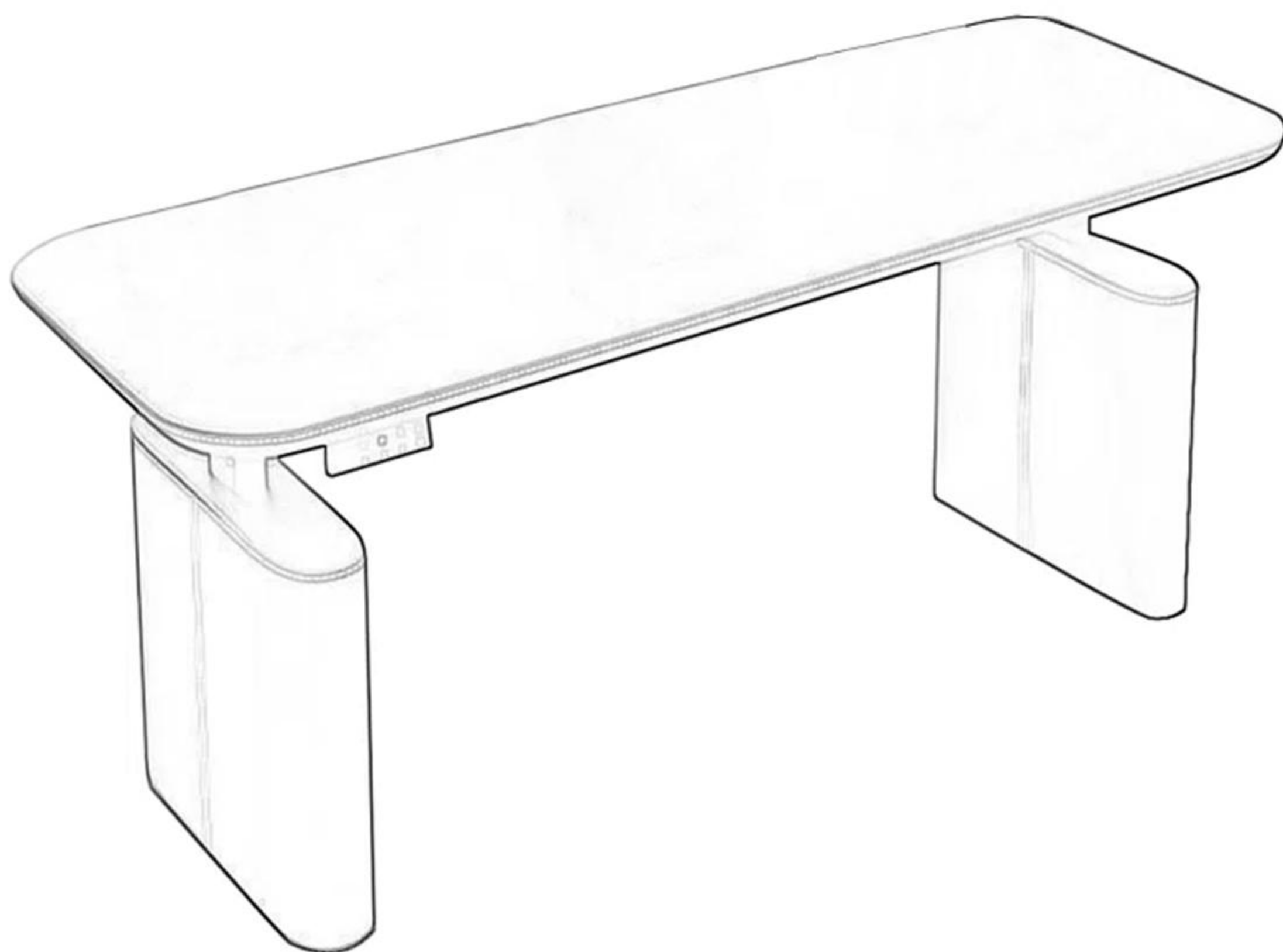
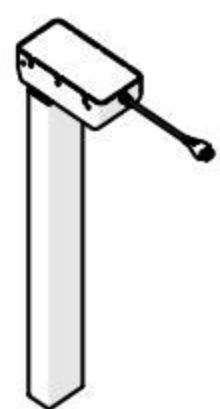


Installation Guide for Height-Adjustable Desk

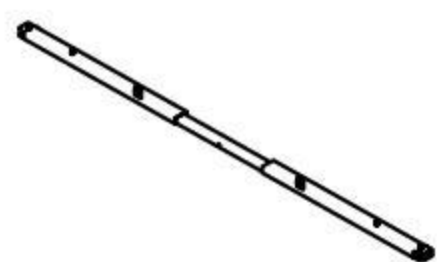


1. Packaging

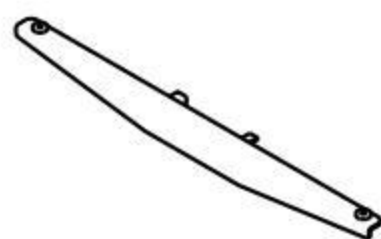
1.1 Pre-assembly Parts Checklist



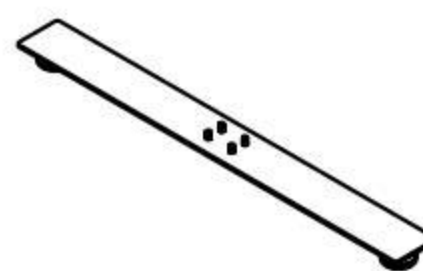
Desk leg (2pcs)



Top frame (2 pcs)



End tube (2 pcs)



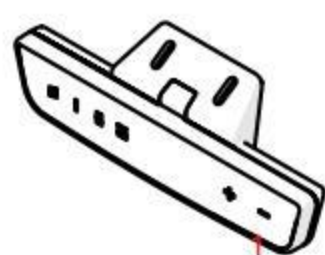
Support foot (2 pcs)



Connecting cable (1 pc)



Power cord (1 pc)



Remote control (1 pc)

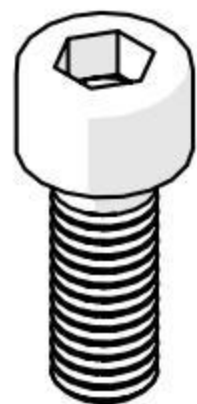


Control unit (1 pc)

1.2 Screw List



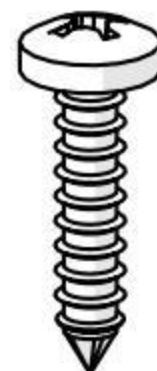
M6×12 (12Pcs)



M6×16 (8Pcs)



ST 4.8×19 (10Pcs)



ST 3.5×16(2Pcs)



Torque Guide

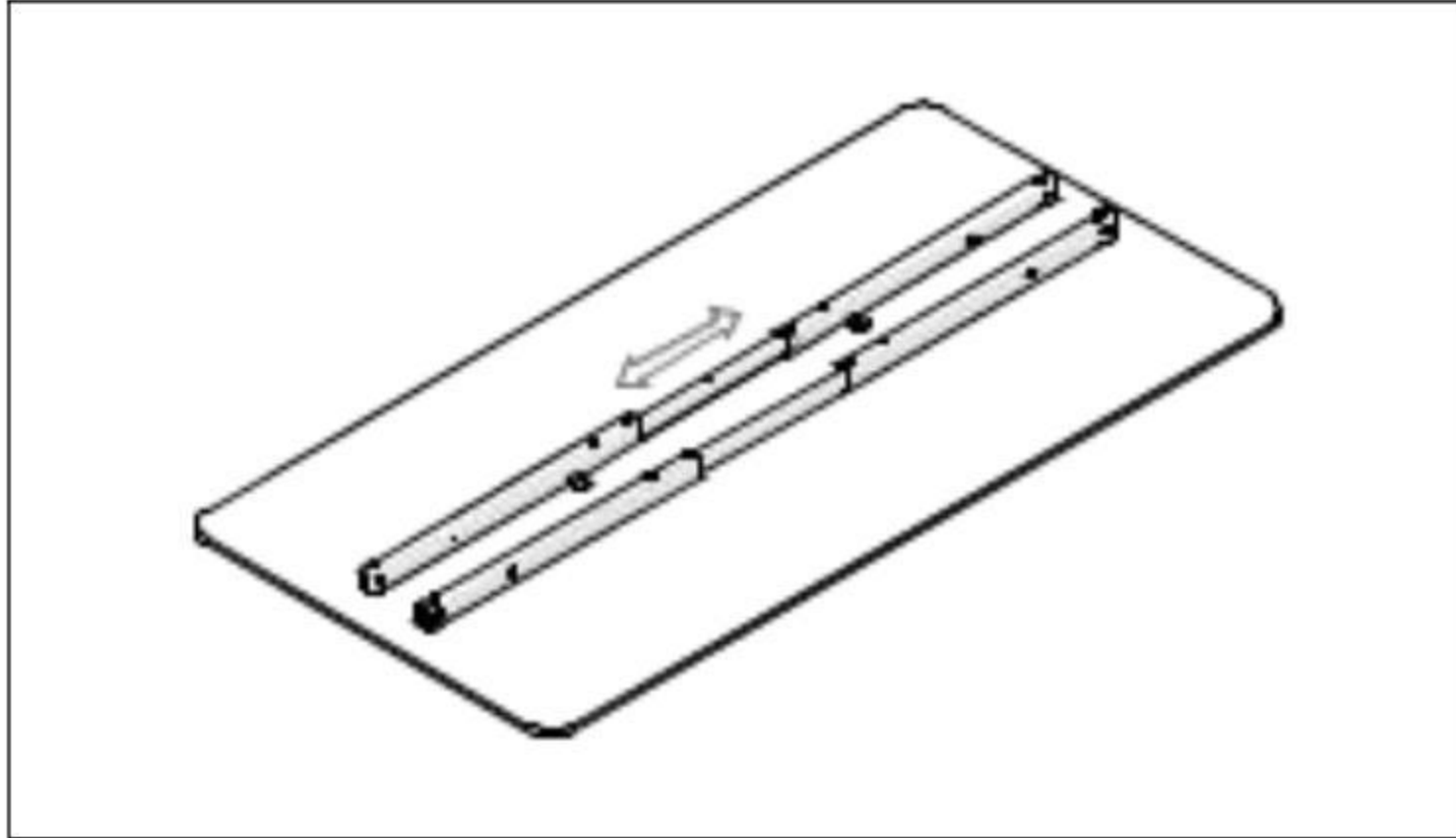
Maximum Torque

The maximum torque for M6 screw rod is 6Nm.

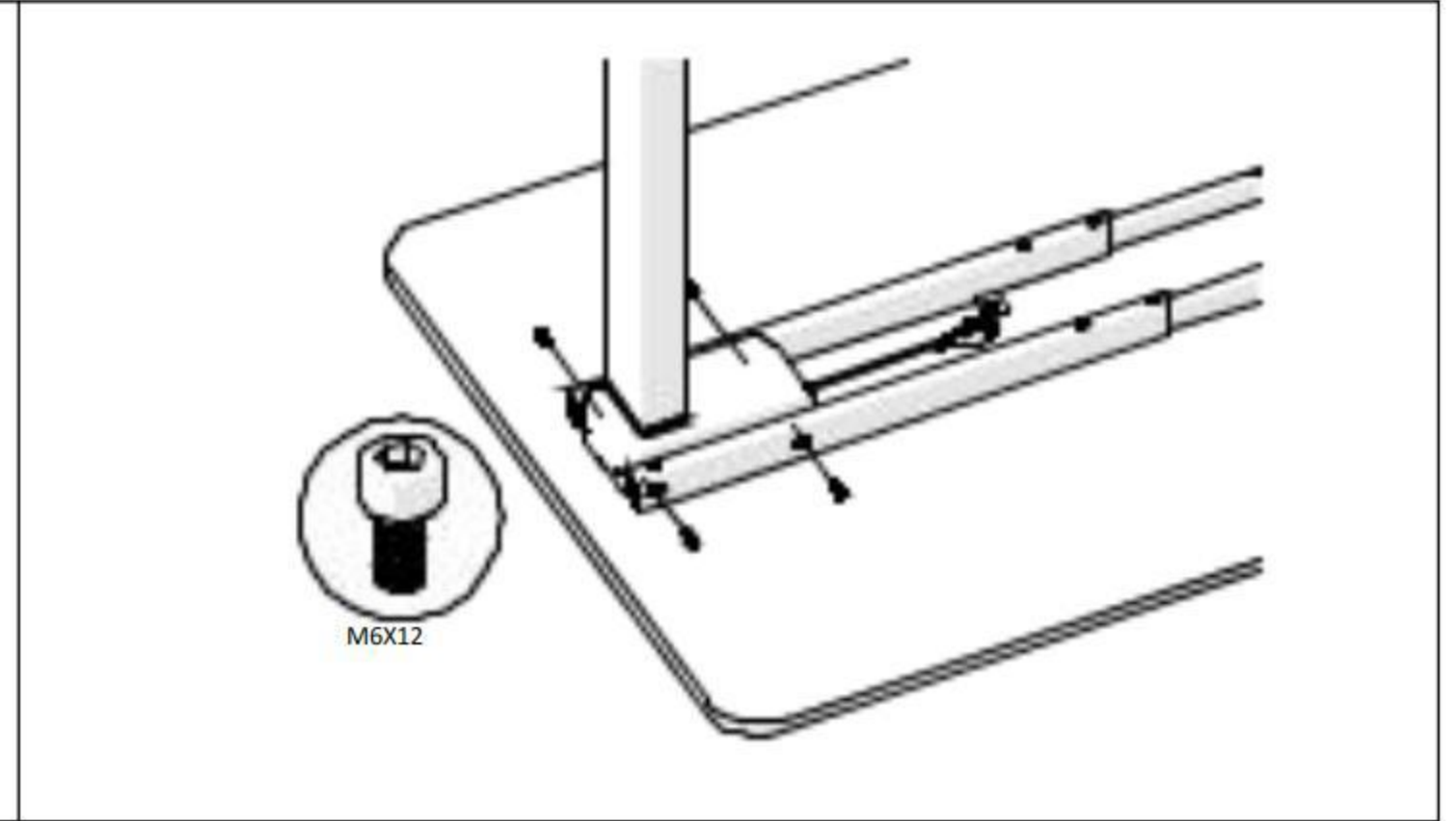
The self-tapping screws are only tightened manually.

2. Assembly

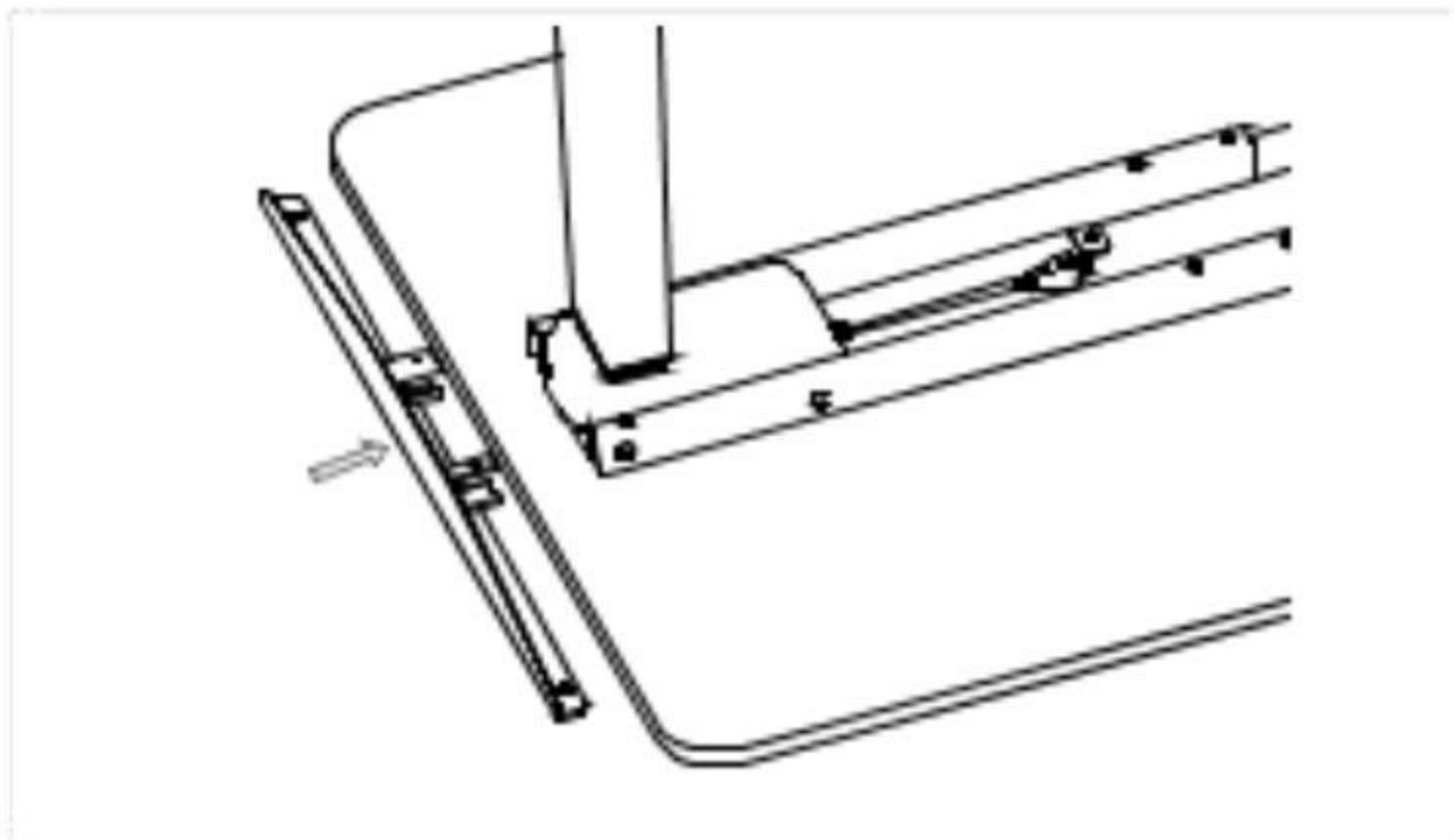
2.1 Assembly Steps



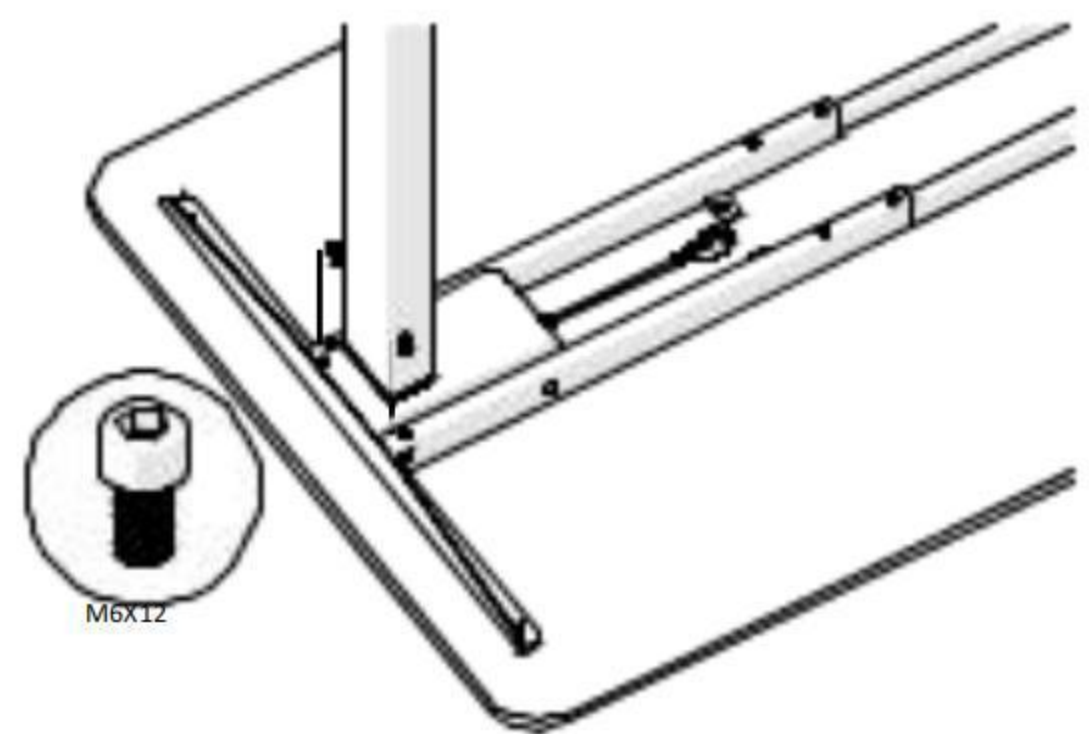
Step 1: Adjust the top frame to the appropriate length.



Step 2: Assemble the legs and frame according to the instructions above. Please refer to the torque guide.



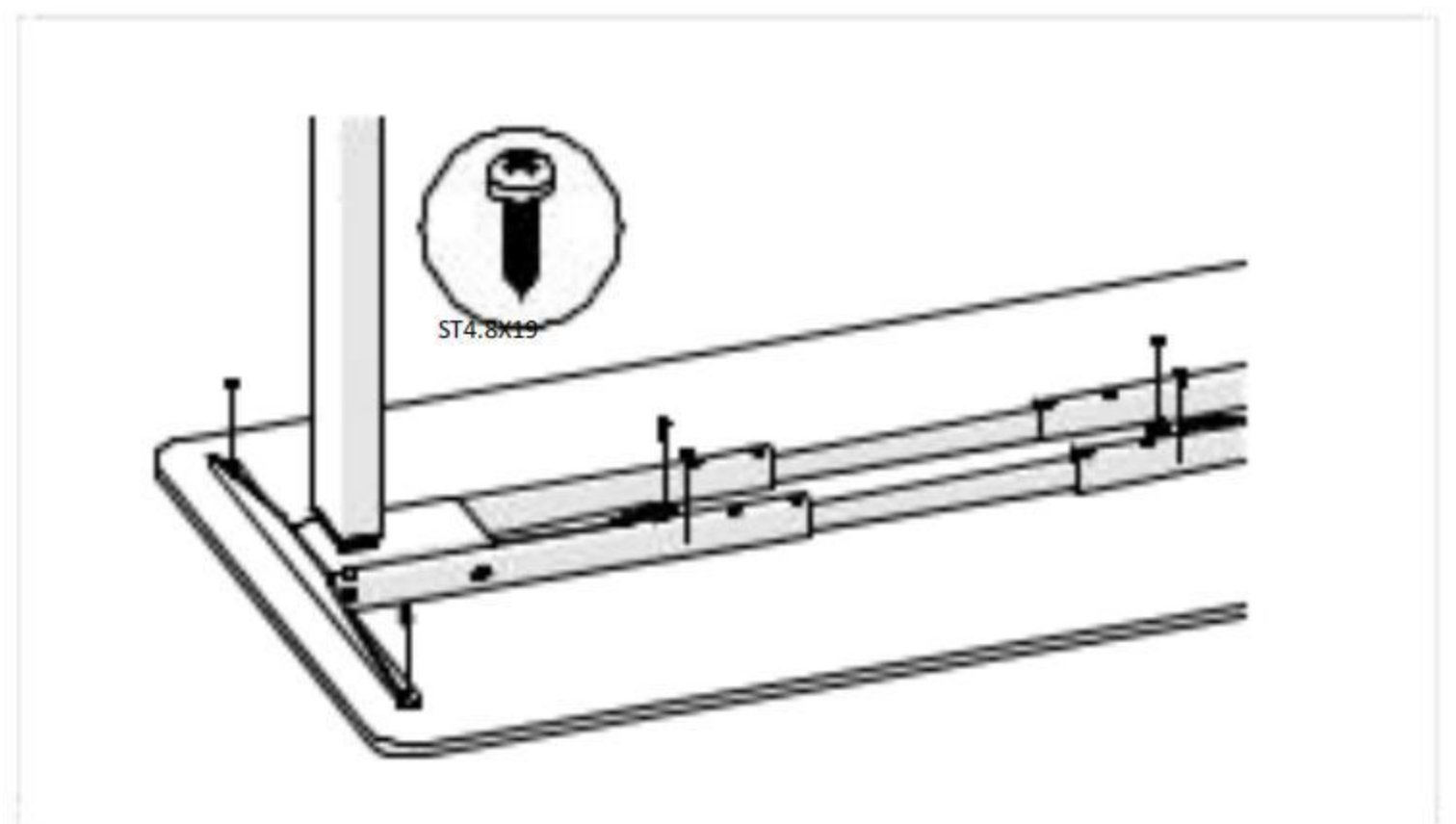
Step 3: Install the end tubes according to the instructions above.



Step 4: Install the end tubes and frame according to the instructions above. Please refer to the torque guide.



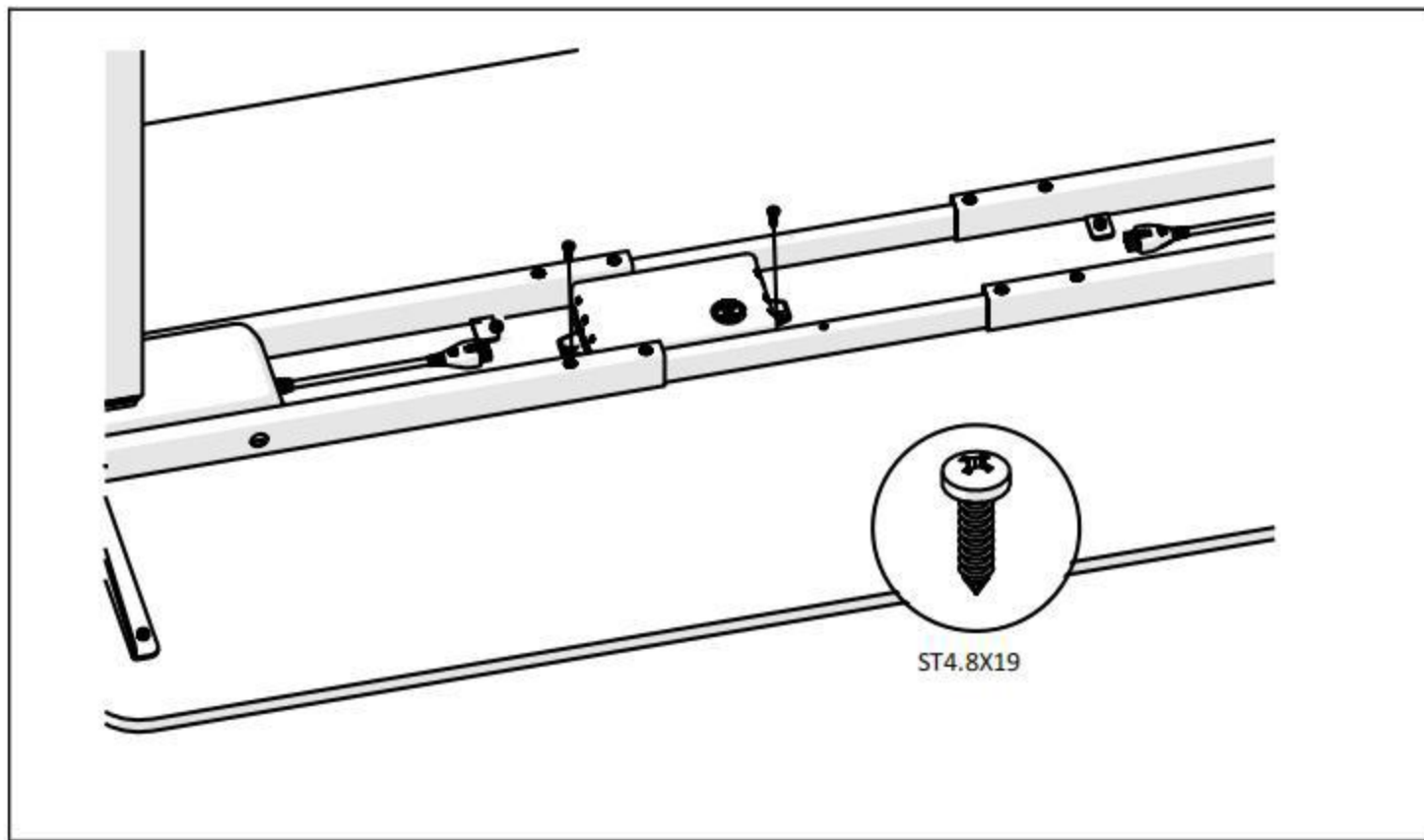
Step 5: Install the desk legs according to the instructions above. Press the smooth side of the tabletop against the desk legs. Please refer to the screw list to select the appropriate support feet and matching screws. Please refer to the torque guide.



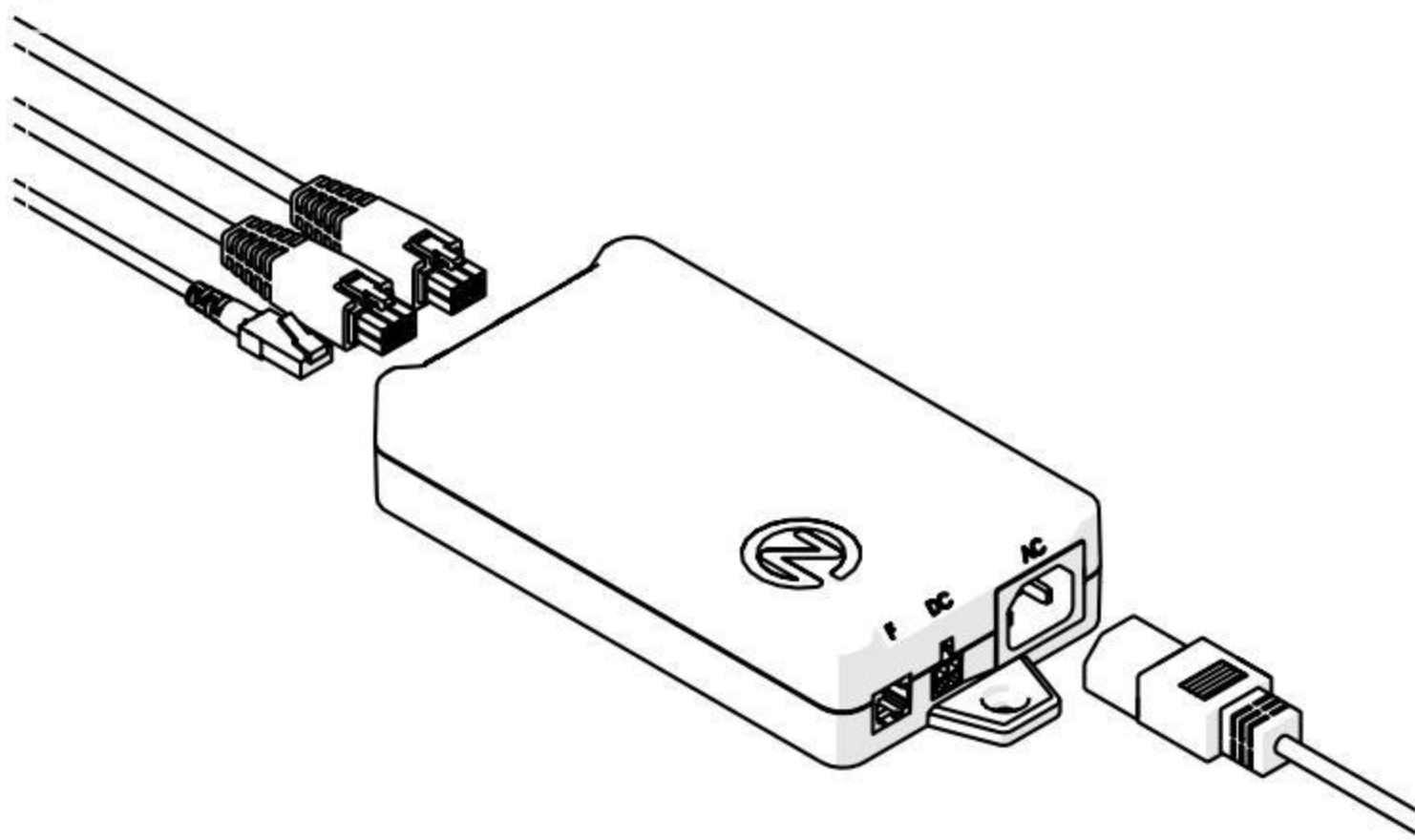
Step 6: Install the frame and end tubes together according to the instructions above. Please refer to the torque guide.

3.Assembly

3.1 Step-by-Step Assembly




Step 7: Install the control unit according to the instructions above. Please refer to the torque guide.

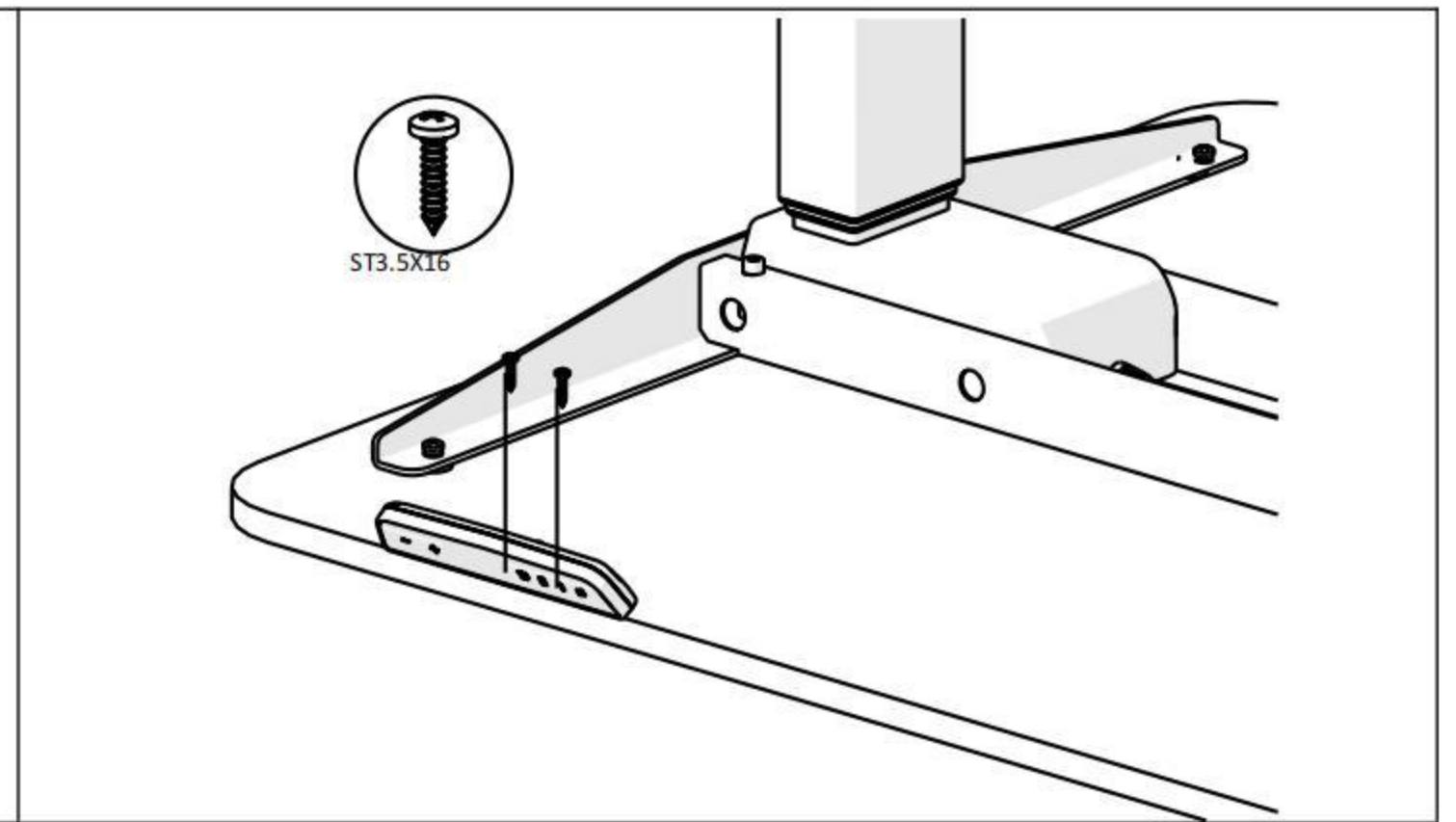


Step 9: Connect the wires to the control unit according to the instructions above.

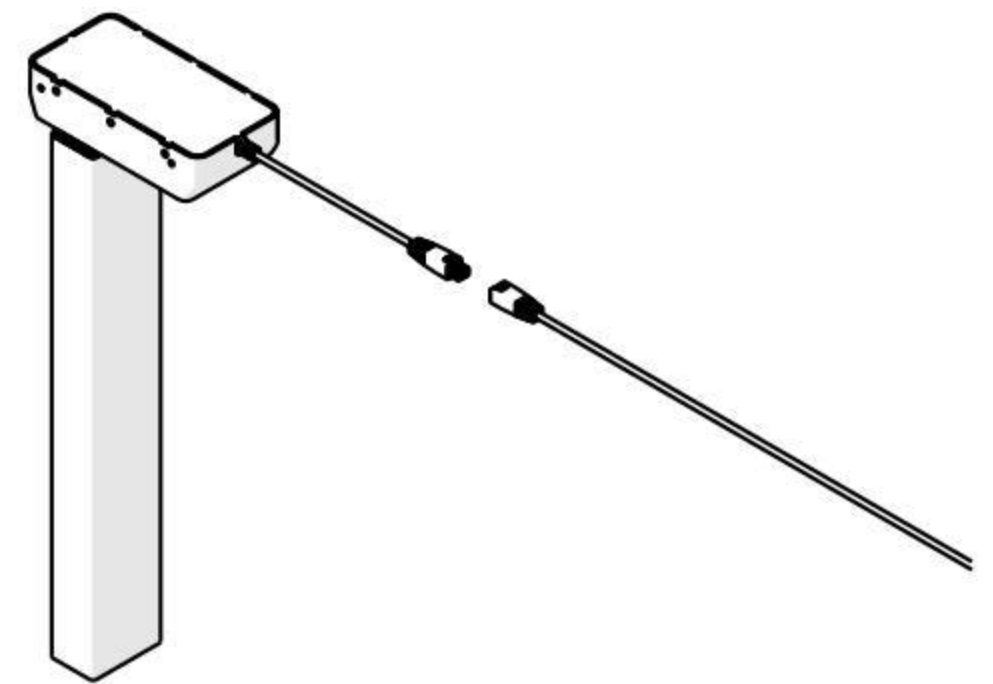


Step 11: Perform zero-position setting.

 **Warning:** Do not power on the system before assembly is complete.



Step 8: Install the remote control device on the desktop according to the instructions above. Please refer to the screw list to select the appropriate PC and matching screws. Please refer to the torque guide.



Step 10: Connect the wires to the desk legs according to the instructions above.



Installation instructions for desk legs:

During Step 5 when installing the desk feet (support structures), you can first insert the desk leg as illustrated in the picture, and then proceed with the installation of the desk feet.