



3-TIER DISH DRAINER STORAGE

SAFETY & WARNINGS

Warning

- Please read all instructions carefully.
- Retain instructions for future reference.
- Separate and count all parts and hardware.
- Read through each step carefully and follow the proper order.
- We recommend that, where possible, all items are assembled near to the area in which they will be placed in use, to avoid moving the product unnecessarily once assembled.
- Always place the product on a flat, steady and stable surface.
- Keep all small parts and packaging materials for this product away from babies and children as they potentially pose a serious choking hazard.
- Parts of the assembly will be easier with 2 people.
- Do not use this item if any components are missing or damaged.
- Dispose of all packaging carefully and responsibly.

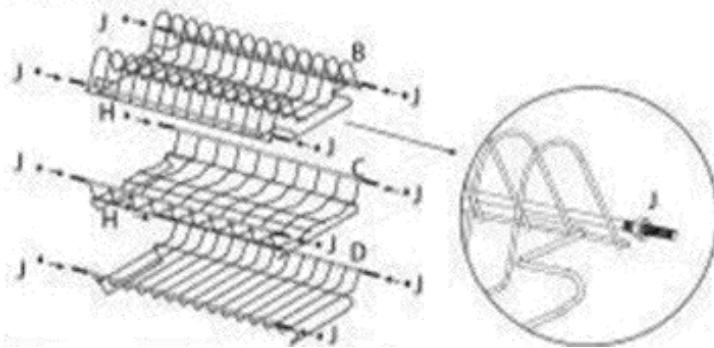
Assembly Tips

- Please read the instruction manual carefully to understand the matters needing attention in the process of installation and maintenance.
- Strictly follow the assembly instructions.
- Carefully check whether the parts in the box are intact.
- Assemble on the box so as not to damage the product and room floor.
- The use of mismatched parts may cause damage to the product. Please confirm the model of various parts before assembly.

INSTALLATION

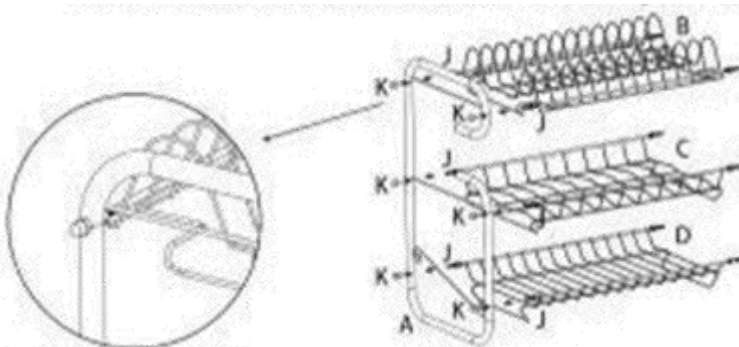
Step 1

Put 12 pieces of J into the designated positions of B, C and D.



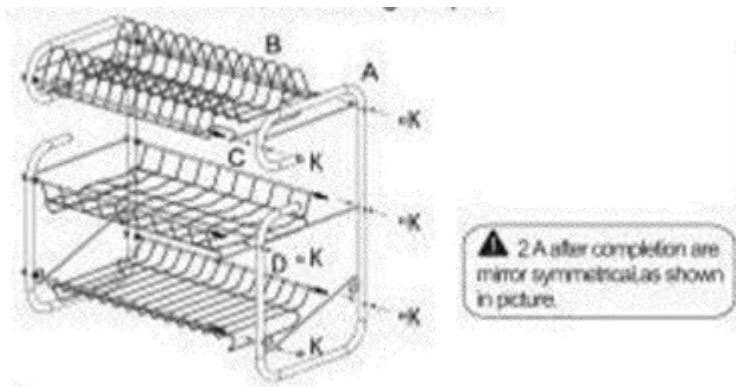
Step 2

Install B, C and D into A and embed six K into A, B, C. Screw J and K to fix A as shown in picture.



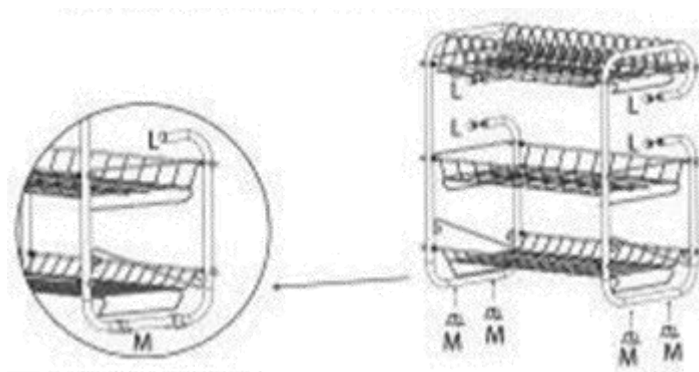
Step 3

Install another A, following step 2.



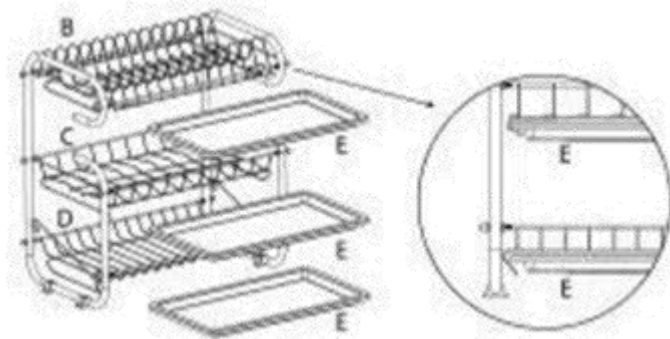
Step 4

Install four M and four L as shown in picture.



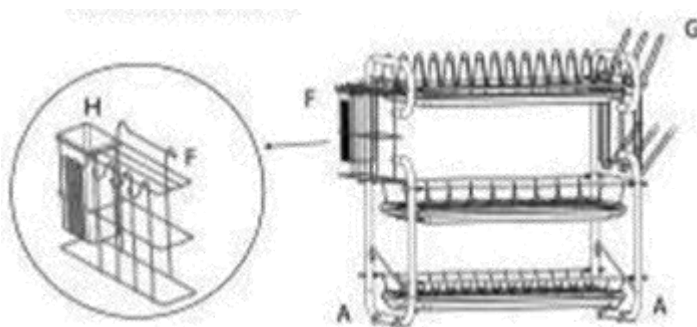
Step 5

Push three E in each slot.



Step 6

Installation is completed after hanging F and G on the side.



CLEANING & CARE

- To maintain the finish, clean the surface by using a soft cloth. Do not use a metal brush.
- Regularly check all fastenings to ensure that they properly tightened.
- Dispose of the products and the packaging in an environmentally friendly manner.