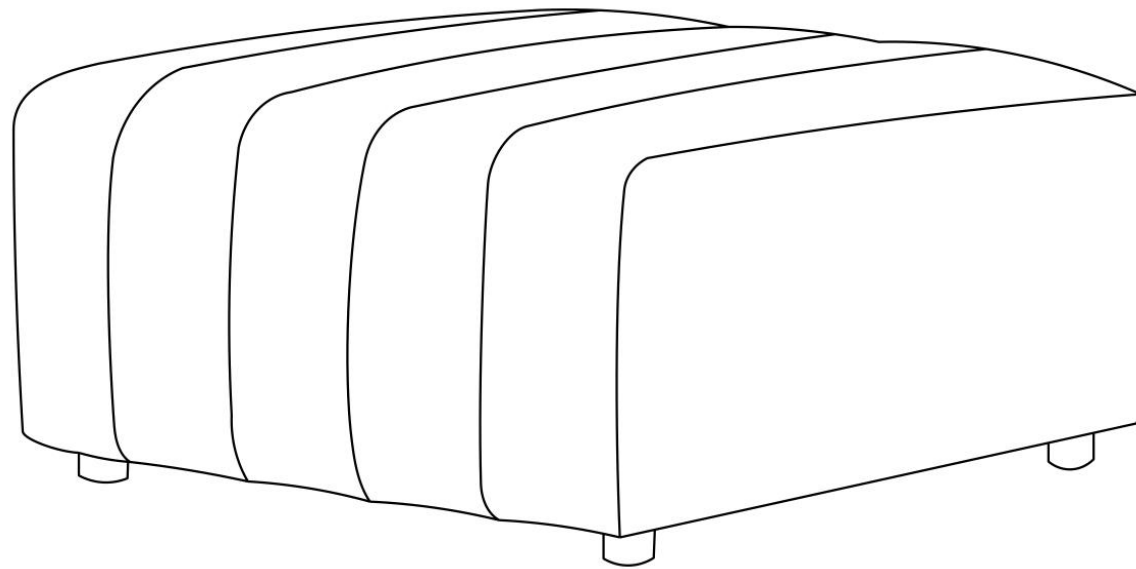


ASSEMBLY INSTRUCTIONS.

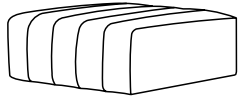
OTTOMAN OATMEAL



THANK YOU FOR YOUR PURCHASE!

PARTS AND HARDWARE

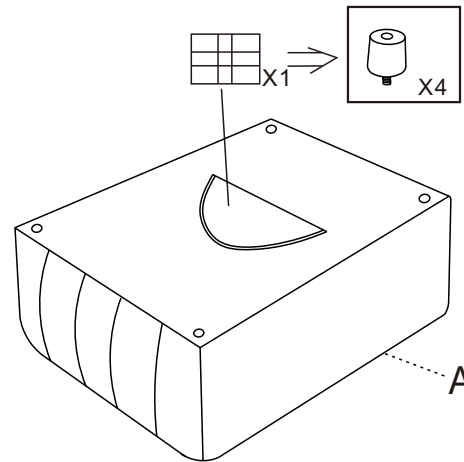
A. OTTOMAN X1



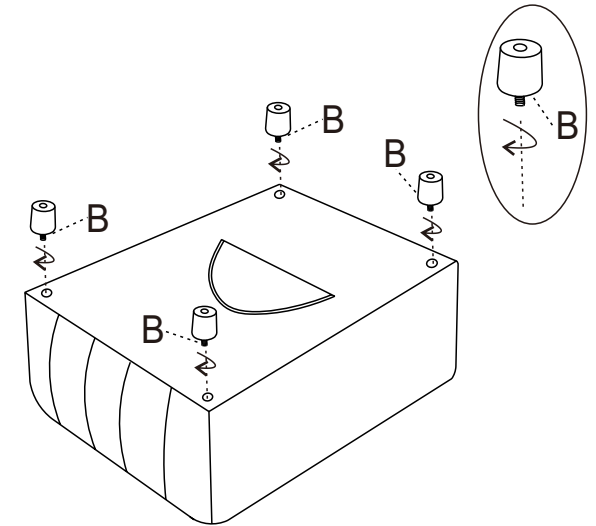
B. LEGX4



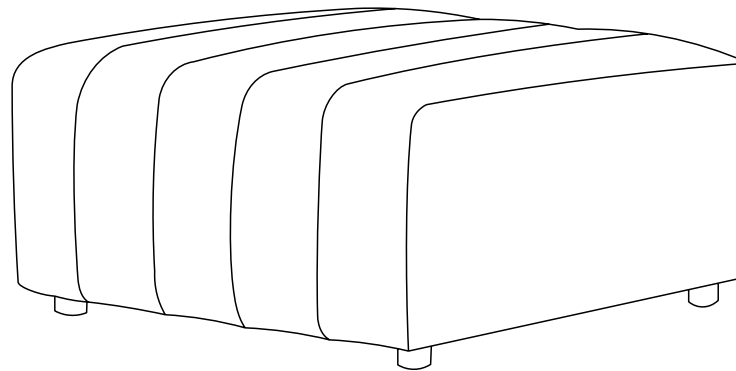
STEP 1.



STEP 2.



STEP 3.



NOTES.

Thank you for purchasing this quality product!
Be sure to check all packing material carefully for small part that may have come loose inside the carton during shipping.

CAUTION: The item is heavy, assembly should be performed by two people