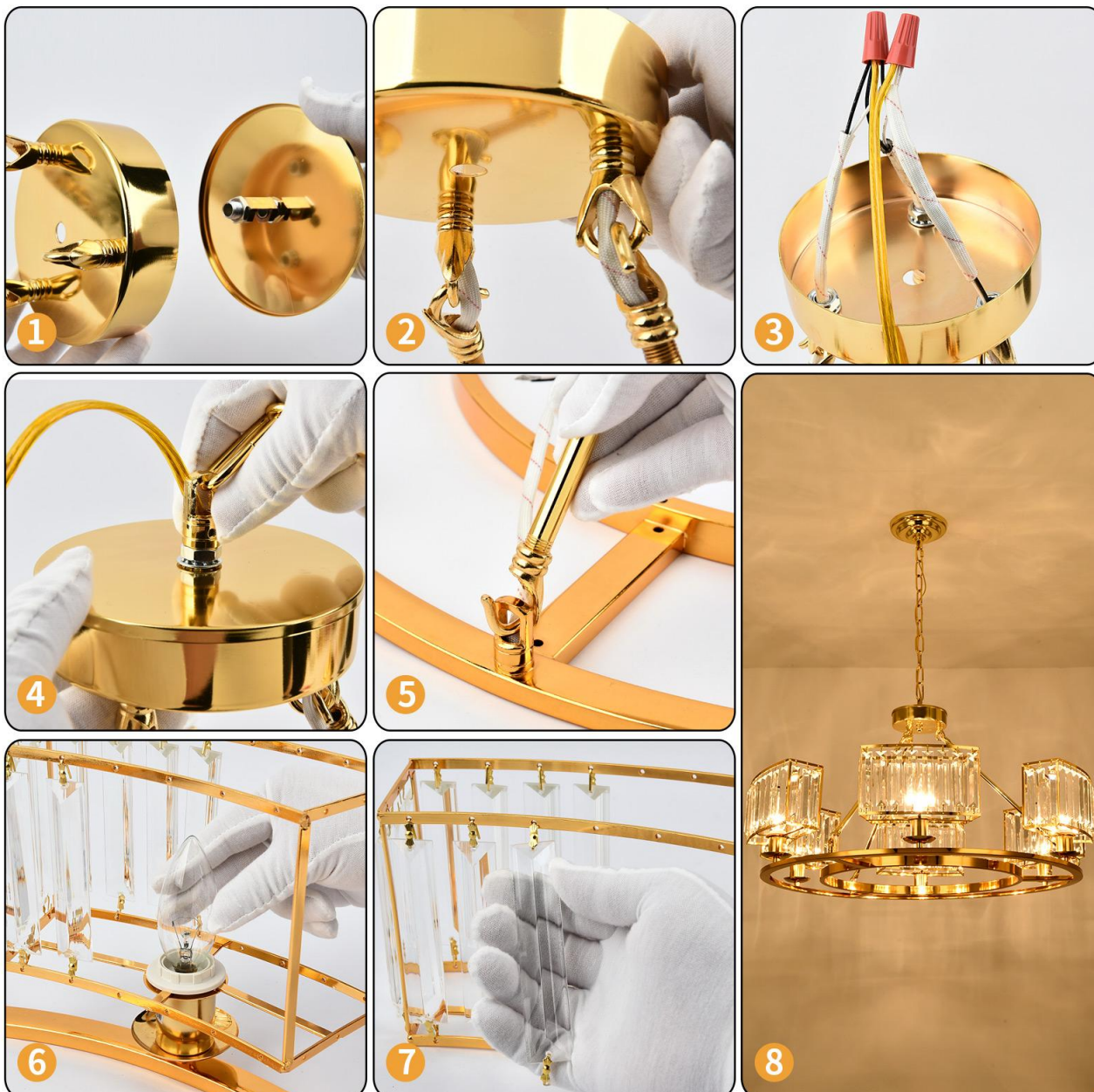


Item Number:

WARNING (To reduce the risk of fire,electric shock,or injury to persons):

- 1.We suggest installation by a **licensed electrician**.
- 2.Please read the instruction carefully and save it as you may need it at later time.
- 3.Before you start,**NEVER** attempt any work without shutting off the electricity until the work is done.A).Go to the main fuse,or circuit breaker,box in your home.Place the main power switch in the“**OFF**”position.B). Place the wall switch in the“**OFF**”position
- 4.Mounting surface should be clean,dry,flat,strong enough and 1/4”larger than the canopy on all side.Any gaps between the mounting surface and canopy exceeding 3/16”should be corrected as required.
- 5.Make sure that the ceiling or wall can stand the weight of the lamp before fixture.
- 6.Make sure the voltage you are using is85~265v
- 7.Keepthe lamp away from acidic and basic objects in case of damaging the surface of the lamp.
- 8.When replacing bulb,you should turn off or unplug the lamp and you must wait untili iscool as bulbs get hot quickly.
- 9.The safety instructions appearing in this manual are not meant to cover all possible conditionsthat may occur. It must be understood that common sense,caution and care must be used with any electrical products.
- 10.Do not touch the bulb or lampshade during the lighting fixture working.
- 11.Because the version is different,there will be European or American mounted plate,please take the received version prevail.The picture is for installation reference only.

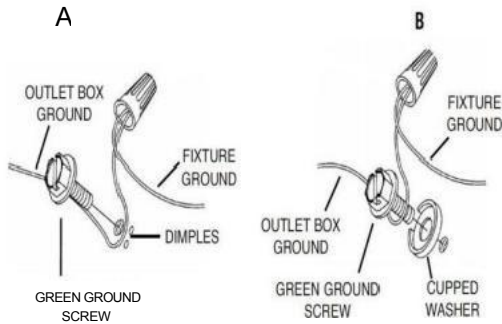
Image for finished product:




Installation Procedures:

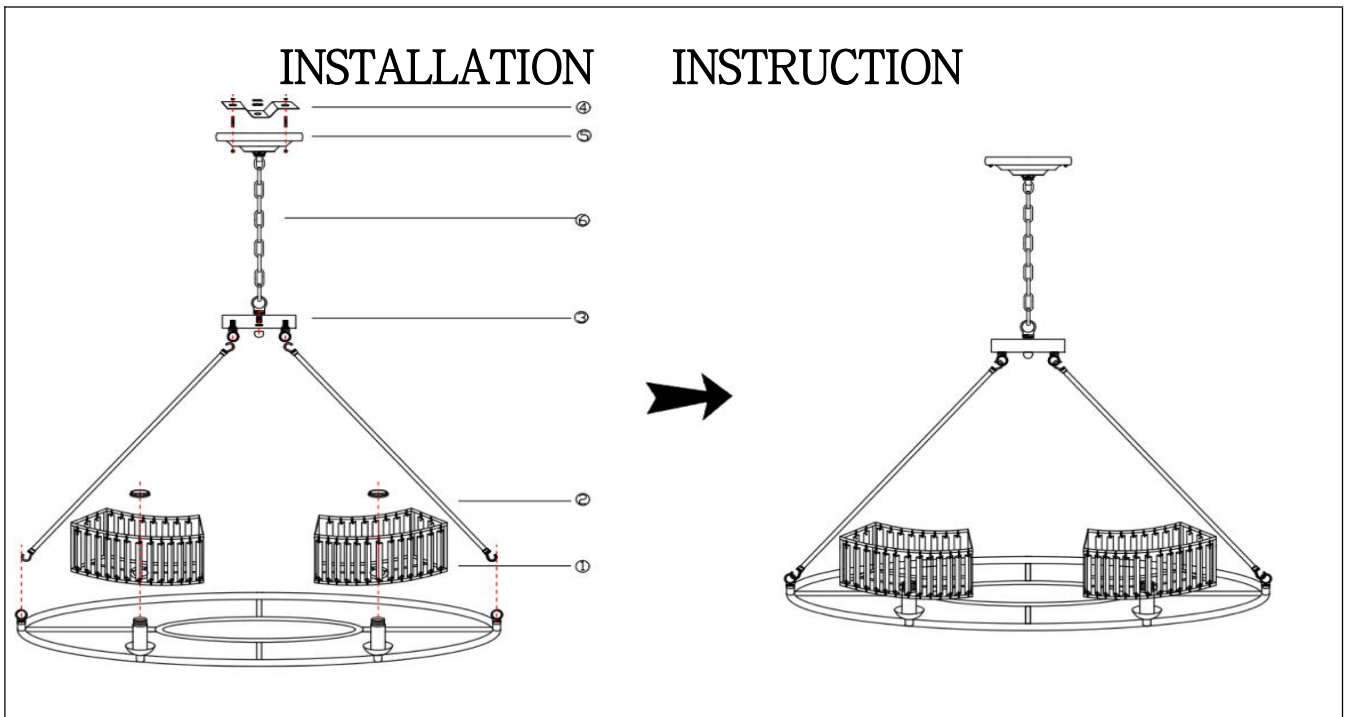
Open the package and take out all the parts or accessories, then place them on a clean flat place. Assemble the light fixture as below procedure:

1. Drill holes on the ceiling wall, fix the screws on the mounted plate.
2. Connect wires from lamp to the ceiling, wiring instructions as below:



Connect Black or Red Supply Wire to:	Connect White Supply Wire to:
Black	White
*Parallel cord (round & smooth)	*Parallel cord (square & ridged)
Clear, Brown, Gold or Black without tracer	Clear, Brown, Gold or Black with tracer
Insulated wire (other than green) with copper conductor	Insulated wire (other than green) with silver conductor
*Note: When parallel wires (SPTI & SPTII) are used, the neutral wire is square shaped or ridged and the other wire will be round in shape or smooth (see illus.)	
 Neutral Wire	

3. Fix the canopy to cover the outlet box with screw cap
4. Adjust the height of the light fixture by adjusting the chain lock.
5. Install medium-base bulbs (not included) to each socket.
6. Install in order as shown in the picture
7. Check everything installed correctly, then you can turn on the light.
8. If there is any question during installation, please feel free to contact us:
9. Enjoy your beautiful life!



INSTALLATION STEPS:

1. Make sure to turn off the electricity before installation.
2. Take out the fitting from the packaging.
3. Fix the mounting bracket to ceiling
4. Mounting from inside to outside (1-6)
5. Connect the wire (from the lighting) to the wire (from the ceiling);
6. Turn on the electricity for testing.

installed by qualified electrician