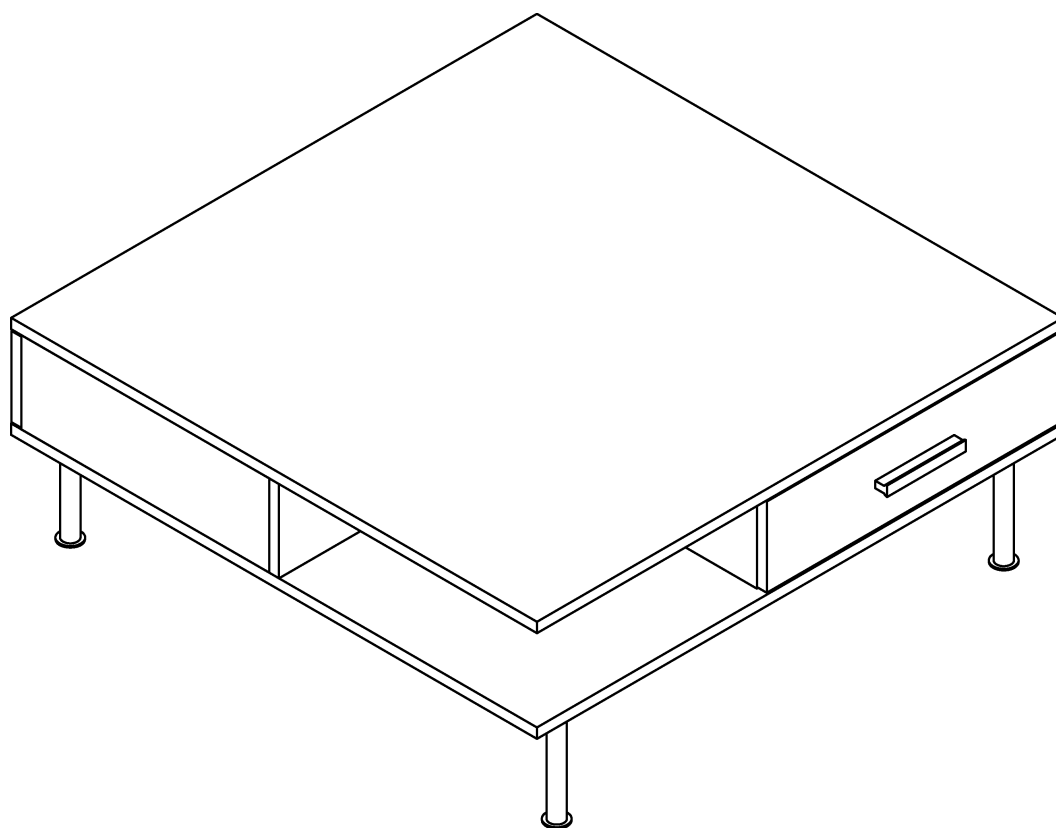
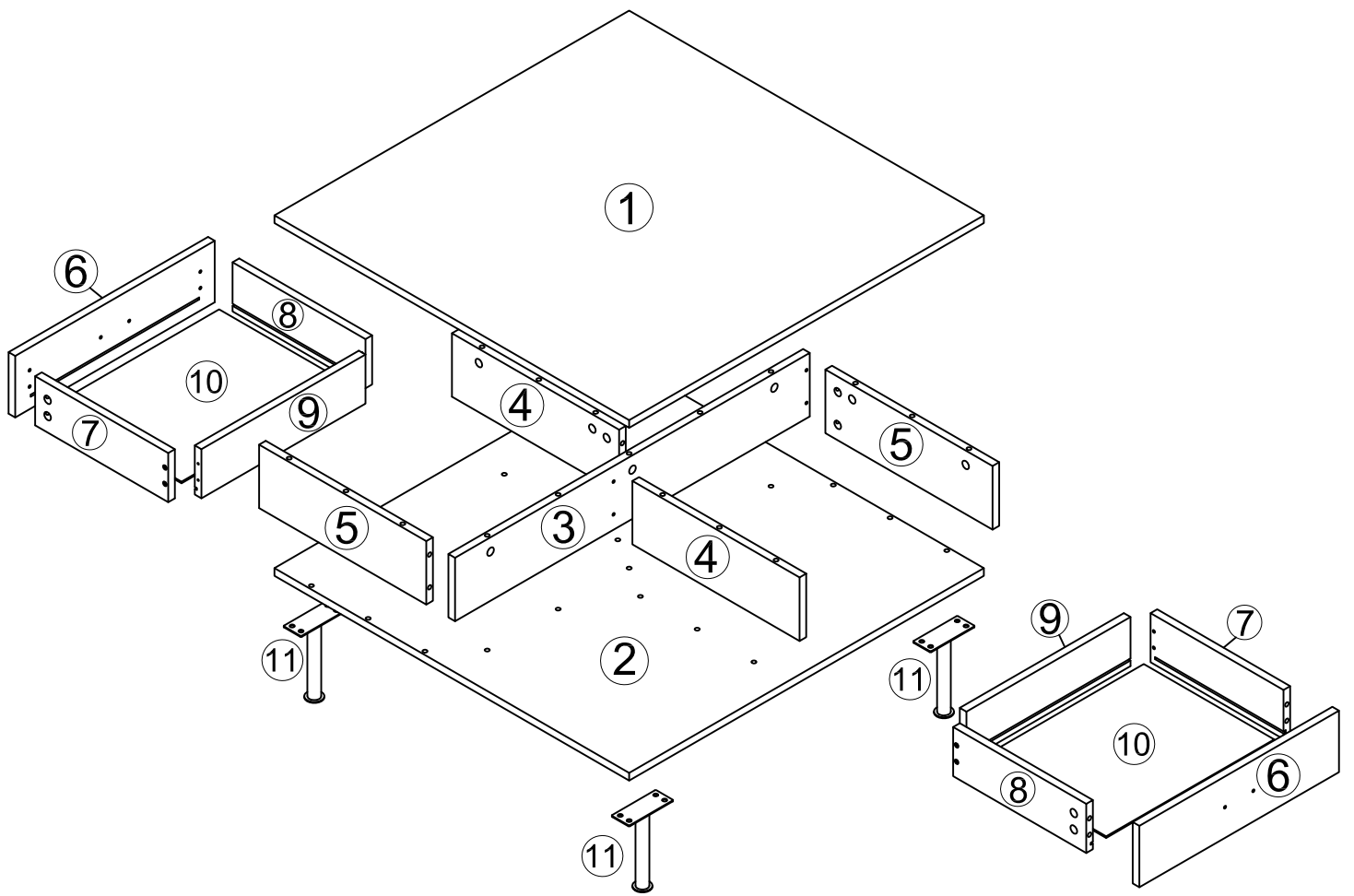
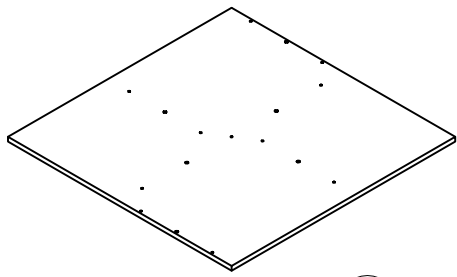


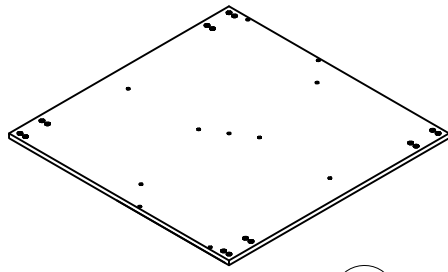
ASSEMBLY INSTRUCTION



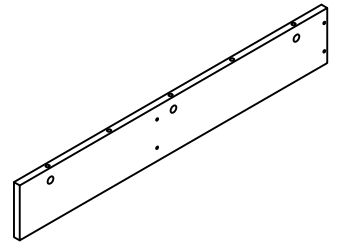




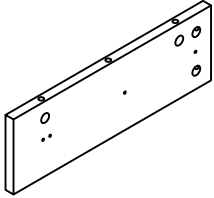
① ×1



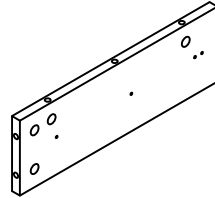
② ×1



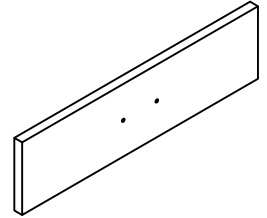
③ ×1



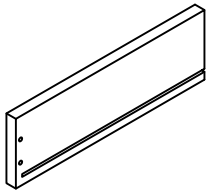
④ ×2



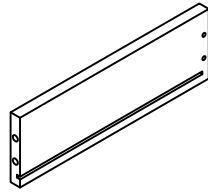
⑤ ×2



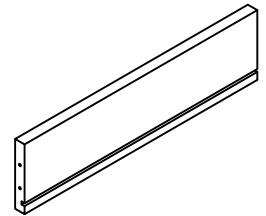
⑥ ×2



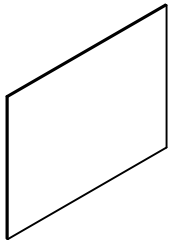
⑦ ×2



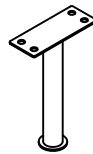
⑧ ×2



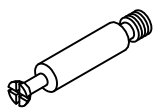
⑨ ×2



⑩ ×2



⑪ ×4



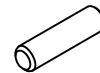
A×27PCS



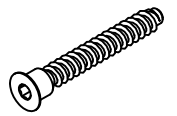
B×19PCS



C×8PCS



D×12PCS



M7×40mm
E×11PCS



M6×12mm
F×16PCS



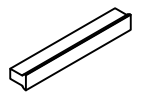
Ø3.5×14mm
G×32PCS



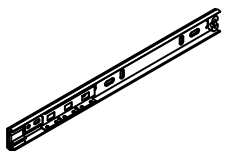
Ø3.5×30mm
H×8PCS



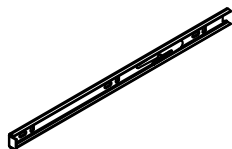
Ø4×18mm
I×4PCS



J×2PCS



K×4PCS



L×4PCS

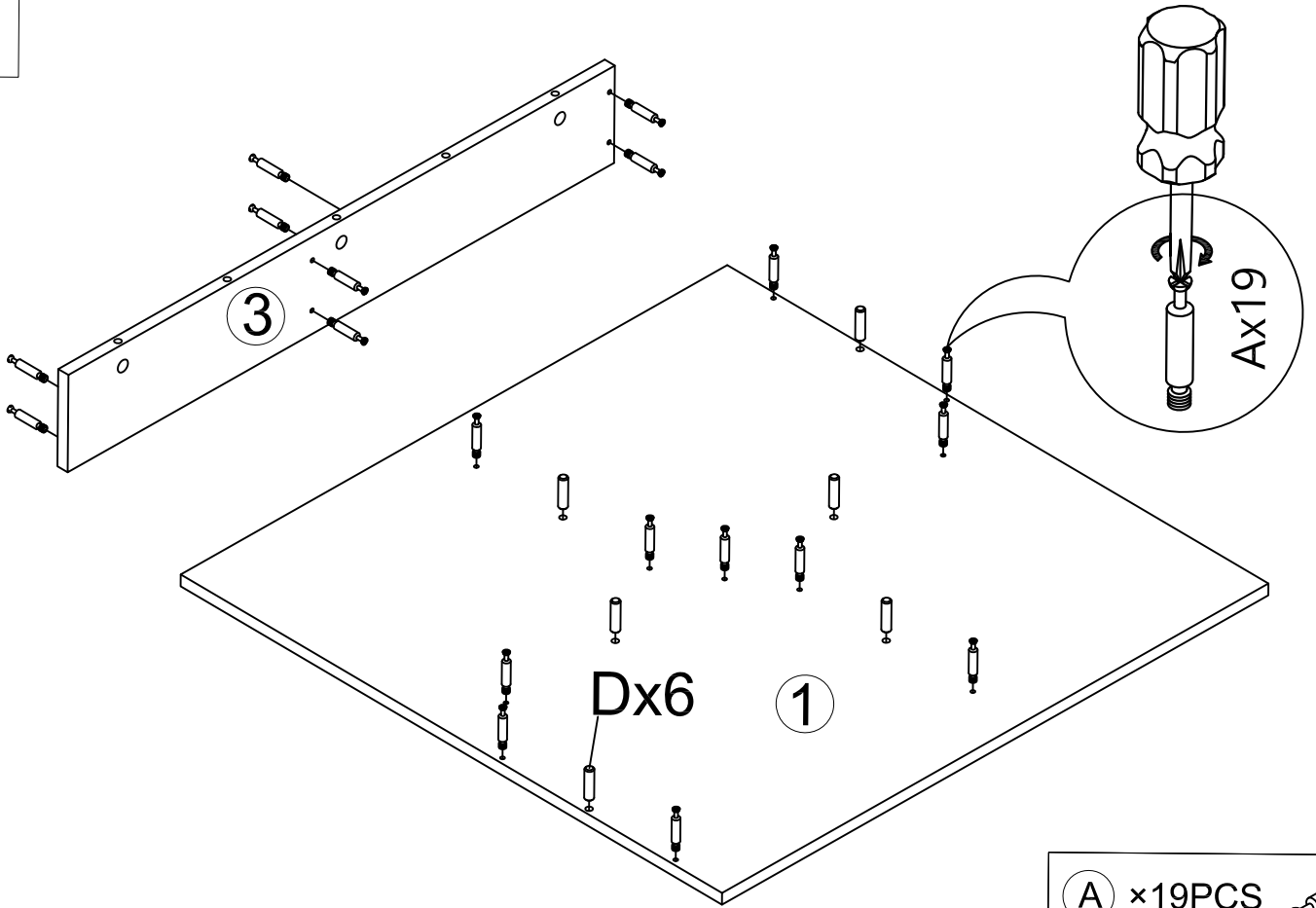


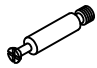
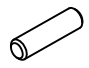
M×1PC



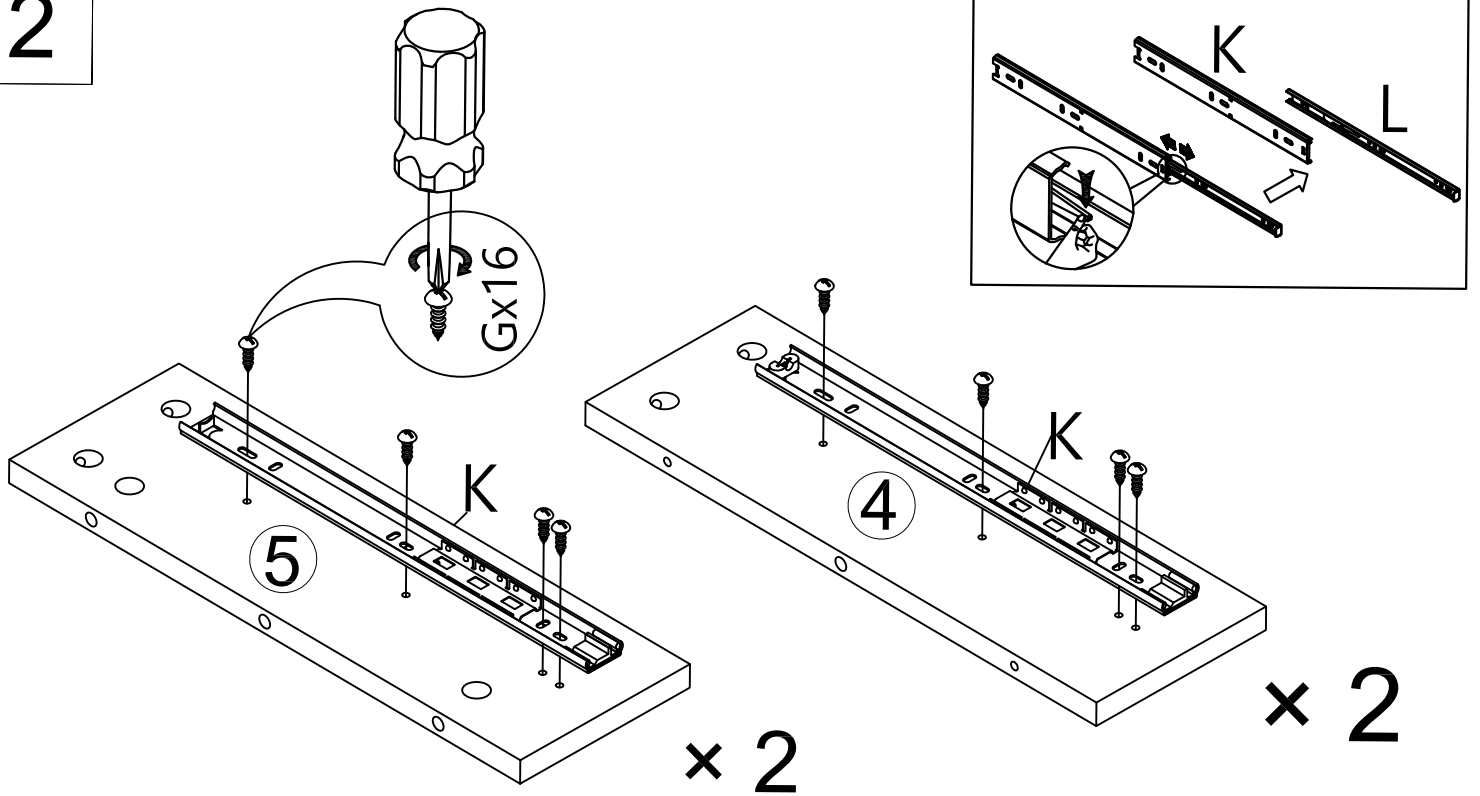
Philips head screwdriver required for assembly
(not included)


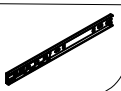
1



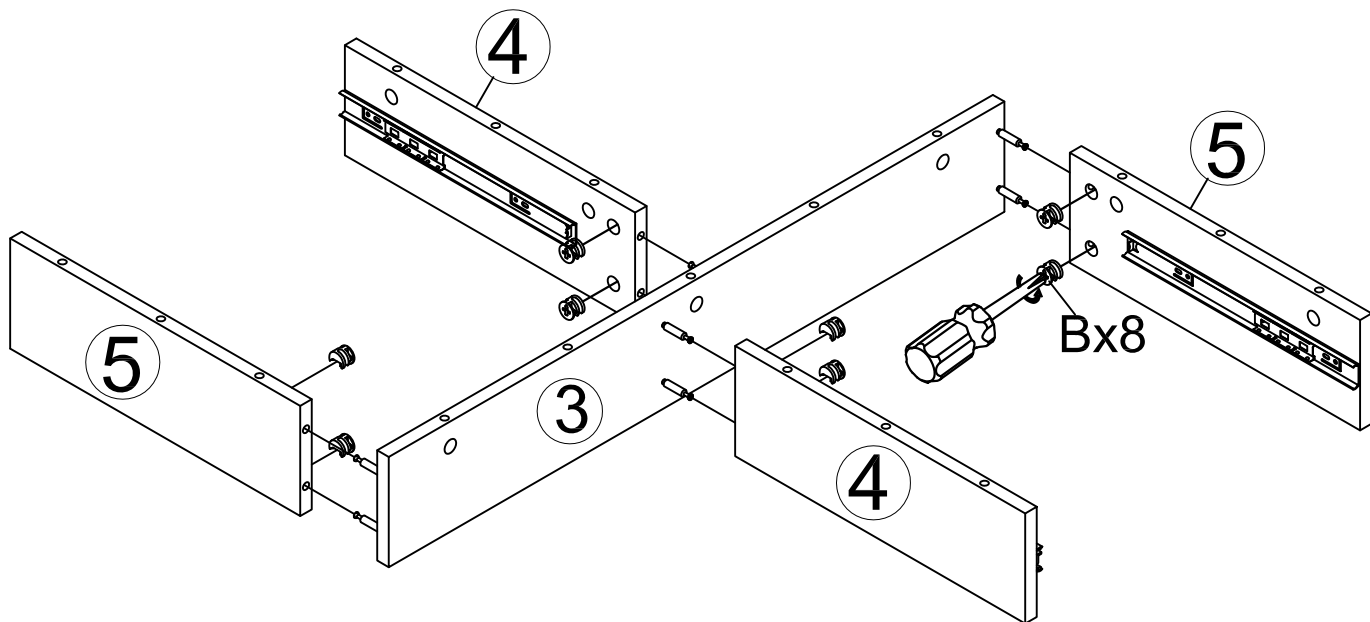
- (A) ×19PCS 
- (D) ×6PCS 

2



- (G) ×16PCS 
- (K) ×4PCS 

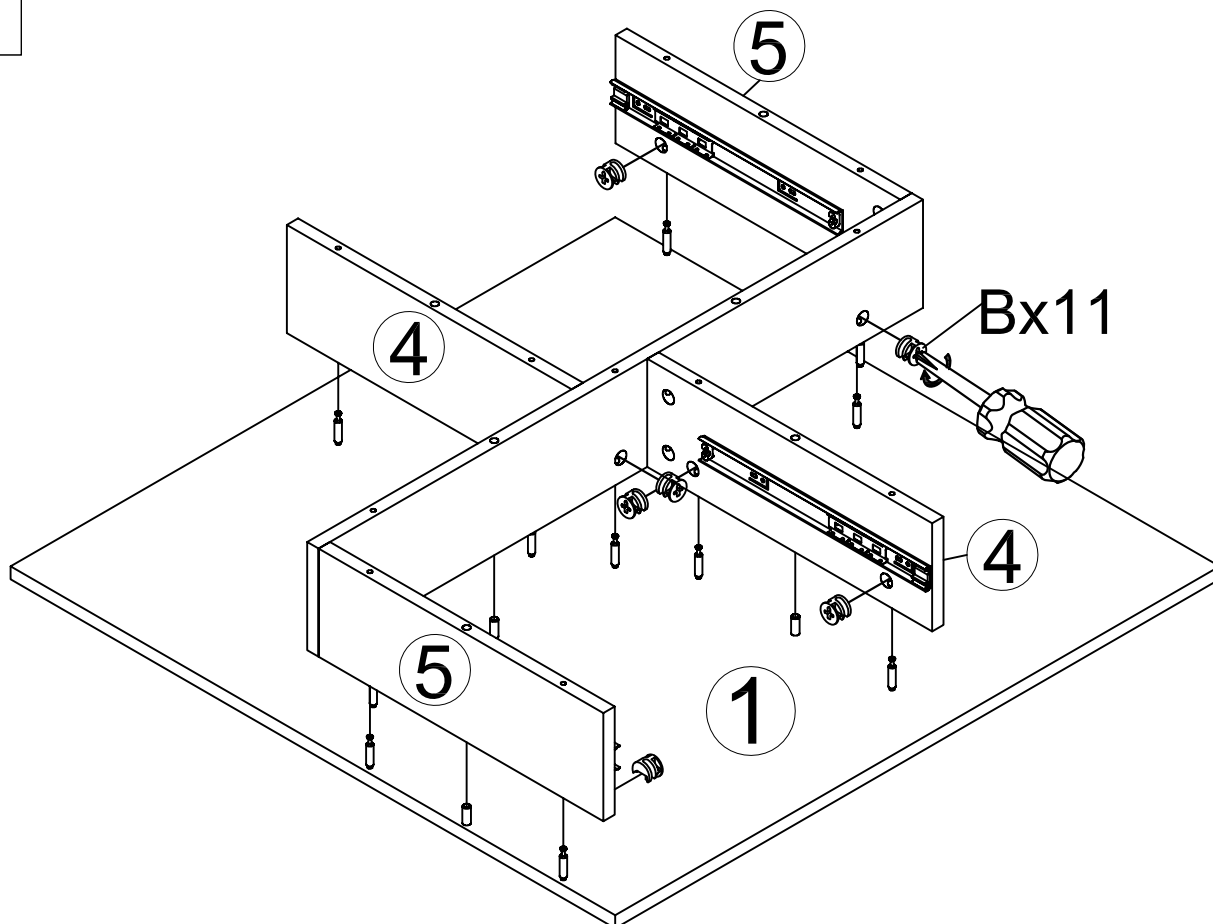
3



(B) ×8PCS



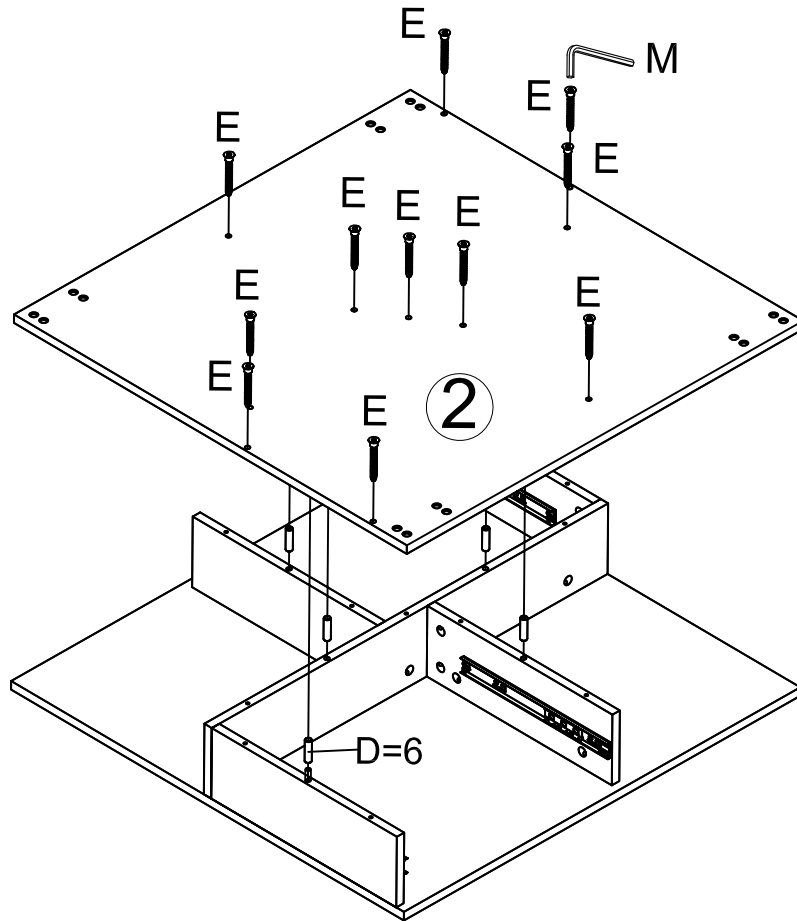
4



(B) ×11PCS



5

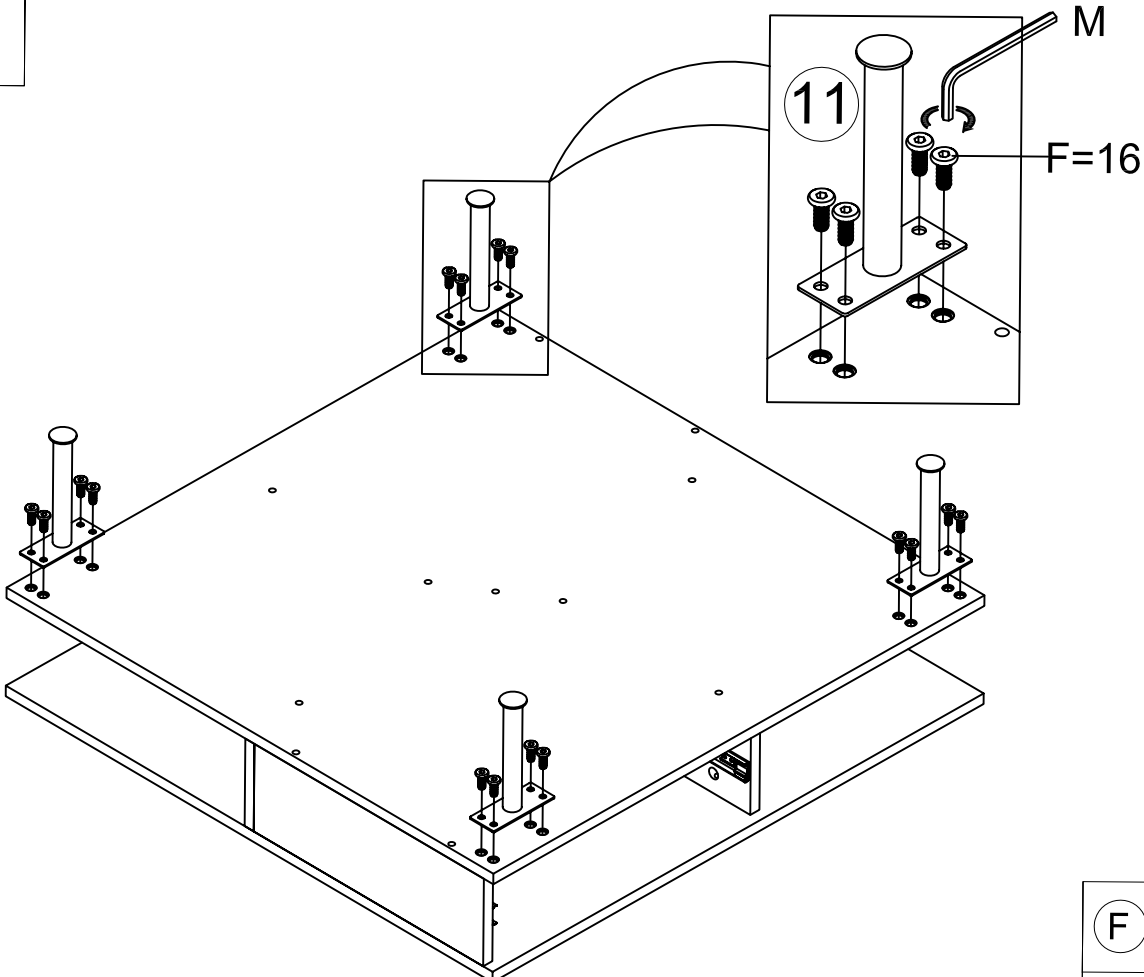


D ×6PCS 

E ×11PCS 

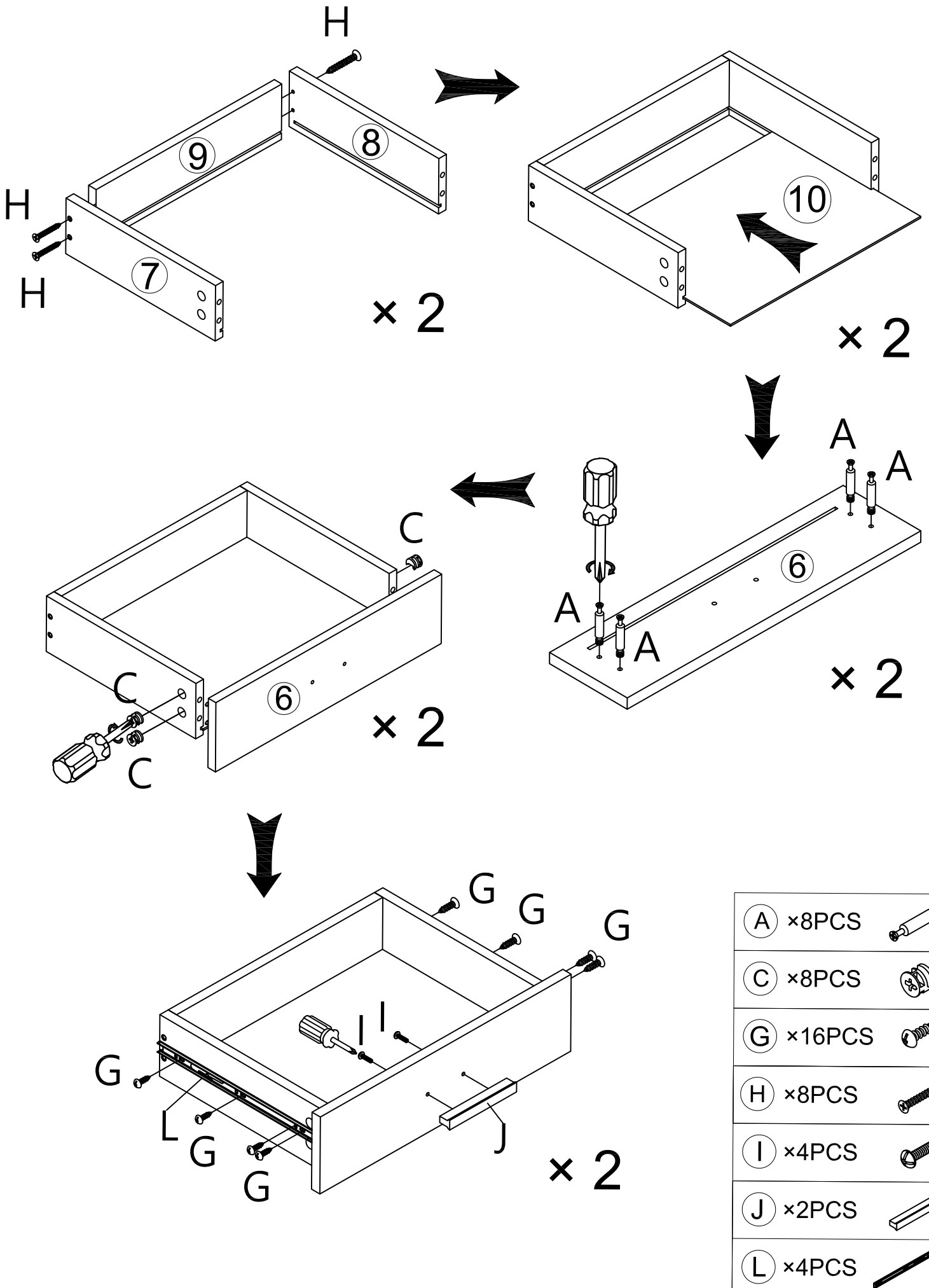
M 








6



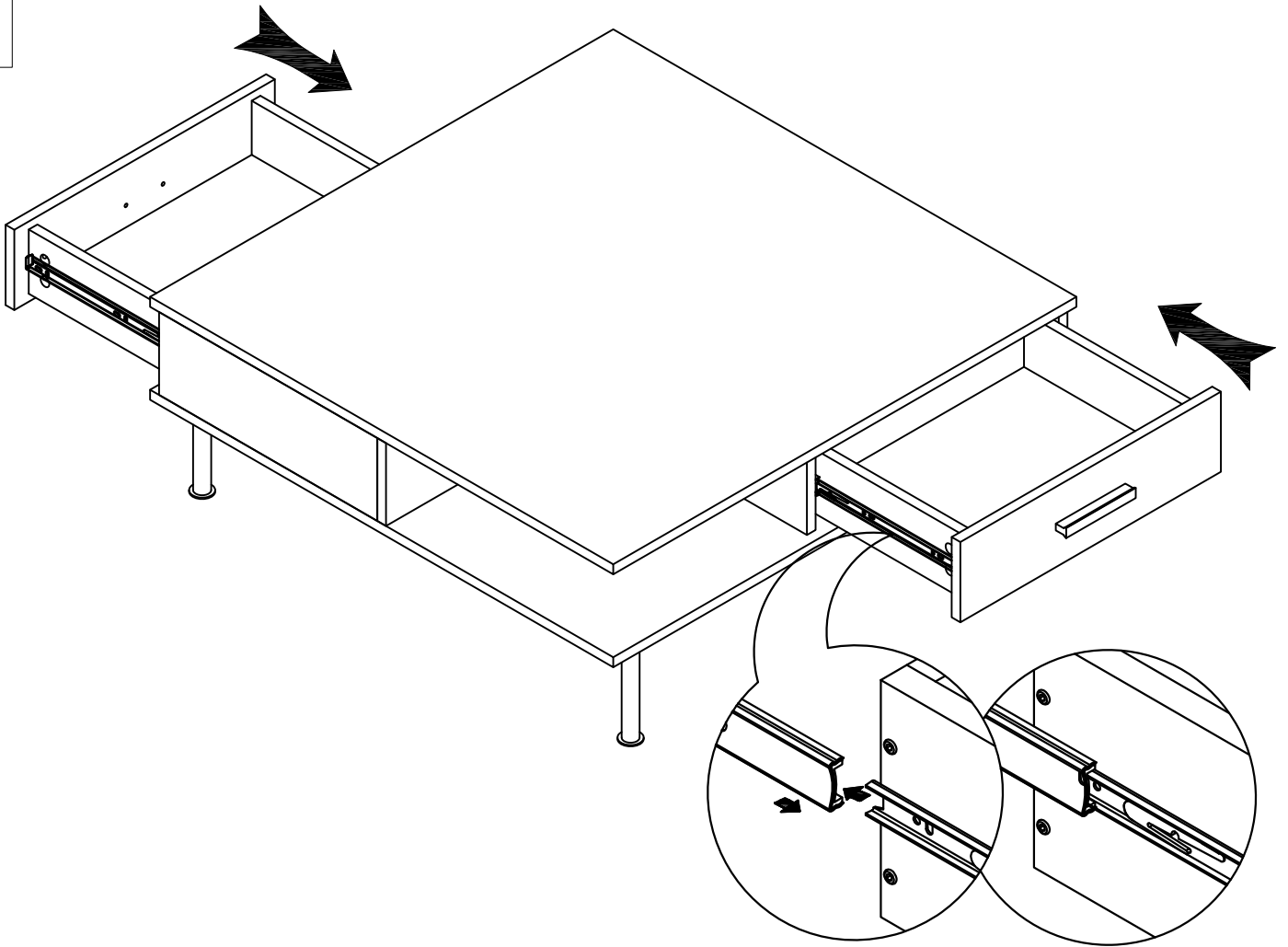
F ×16PCS 

M 



(A) x8PCS	
(C) x8PCS	
(G) x16PCS	
(H) x8PCS	
(I) x4PCS	
(J) x2PCS	
(L) x4PCS	

8



9

