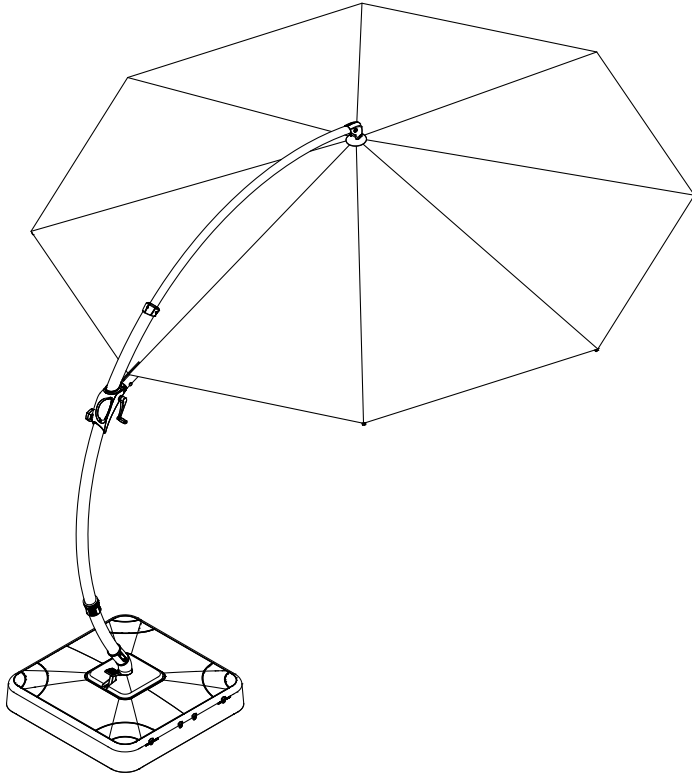
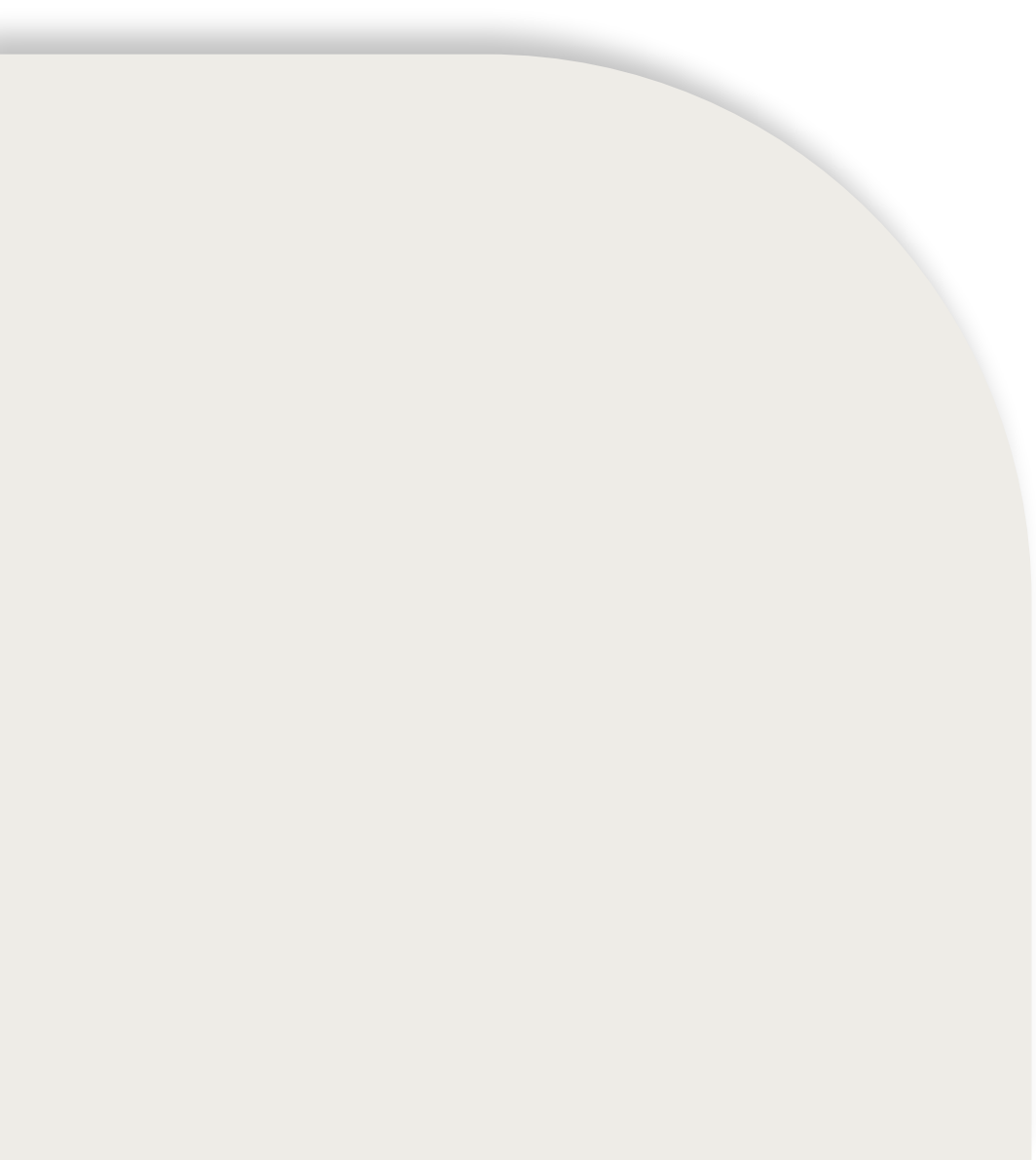


UMBRELLA

Vibrant Chic Collection





Attention

Thank you for purchasing this product. We have created these easy-to-follow instructions to ensure that you spend your time enjoying the product instead of putting it together. If you need more information, please get in touch with us via the email customerservice@lausaint.com

PREPARATION

- Before assembly, please read and understand this manual.
- The product is shipped in one box, and it is essential to ensure that all parts are present before assembly. Compare the details with the package content list and hardware content list.
- If any part is missing or damaged, do not attempt to assemble the product.
- The estimated assembly time is about 40 minutes.

WARNING

- When assembling the product, it is important to tighten each bolt firmly and correctly. Do not fully tighten all bolts and screws until assembly is completed.
- Please note that certain parts may possess sharp edges, and as a precautionary measure, we strongly advise wearing protective gloves when assembling.
- Children under the age of 16 should not be involved in the assembly, dismantling or disassembly of products.
- Always keep children under close supervision by a competent adult while using or around this product, and keep them out of the assembly area during assembly.
- This product is heavy and may require **TWO adults** for safe assembly.
- Additionally, never use this product as support and do not shake, lean, or climb on the product anytime.

CARE AND MAINTENANCE

- Before using, clean the product entirely with a soft, dry towel.
- When not in use, wipe away dirt. Wash with a mild solution of soap and water, rinse and dry completely.
- Do not use strong detergents or abrasive cleaners.
- Store the product in a good, dry location away from sunlight.



CAUTION

- Please retain these instructions for future reference.
 - The paint on this product may peel off if it is fitted or misused.
 - Use and carry this item with care and apply touch-up paint (not included) when necessary.
 - This patio umbrella is designed and made for personal, non-commercial use and should not be used as a toy or a tool.
 - Do not place the product near any heat source.
-

WARRANTY

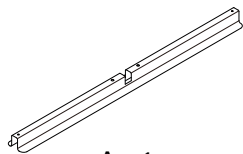
This warranty is extended to the original purchaser. It applies to defects in materials and quality of your patio umbrella, provided it is maintained with care and used only for personal and residential purposes.

The frame is warranted to be free from defects in material or quality for one year.

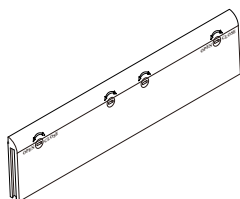
The fabric is insured for one year against defects in material or quality.



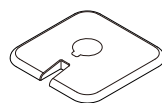
Component List



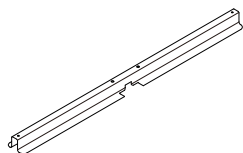
A x 1



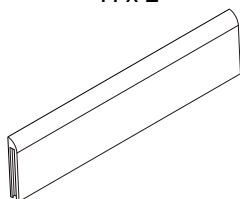
H x 2



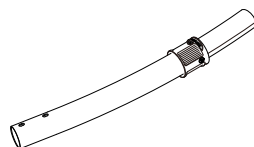
M x 1



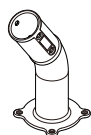
B x 1



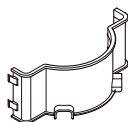
R x 2



N x 1



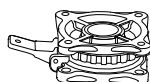
C x 1



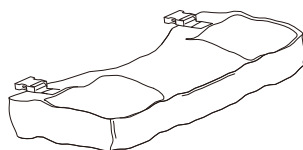
J x 2



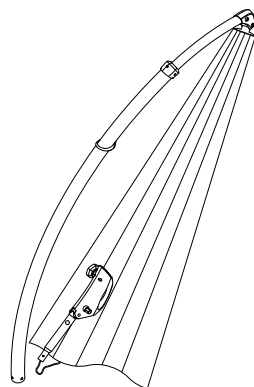
S x 1



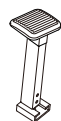
D x 1



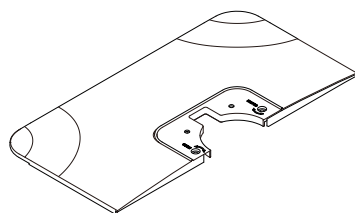
K x 2



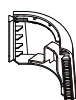
P x 1



E&F x 1



L x 2



G x 4



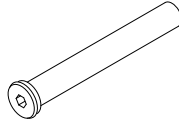
Q x 1



Component List



AA x 4 (M10 X 25mm)



EE x 3 (Ø 8.8 X M6 X 66mm)



HH x 1 (S5)



BB x 4 (M10 X 20mm)



FF x 3 (M6 X 15mm)



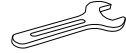
NN x 2 (S4)



CC x 8 (Ø 10)



LL x 2 (M6 X 25mm)



JJ x 1 (S13)



DD x 2 (M6 X 10mm)

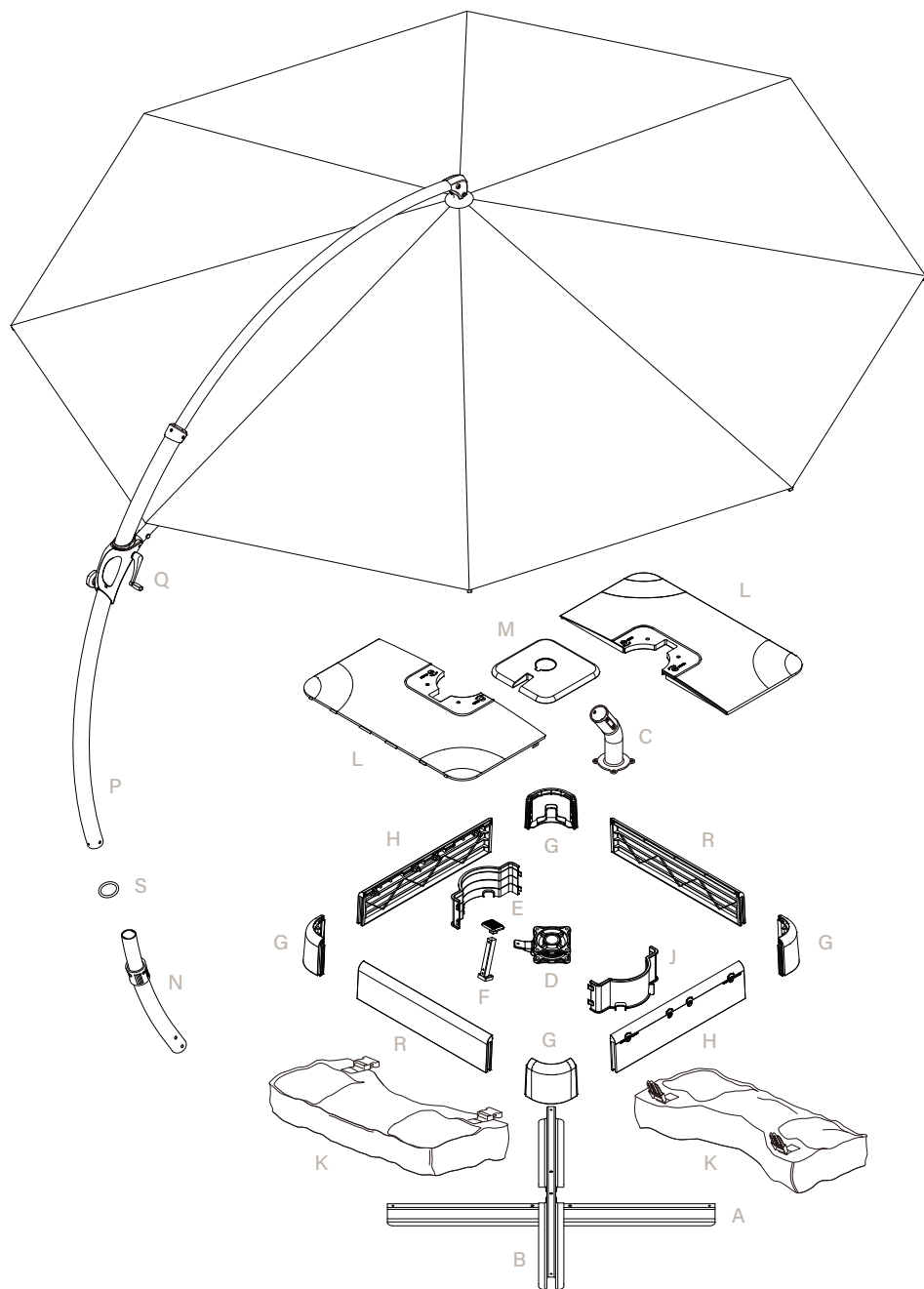


GG x 1 (S8)

DO NOT FULLY TIGHTEN ALL SCREWS UNTIL ASSEMBLY PROCESS IS COMPLETE.

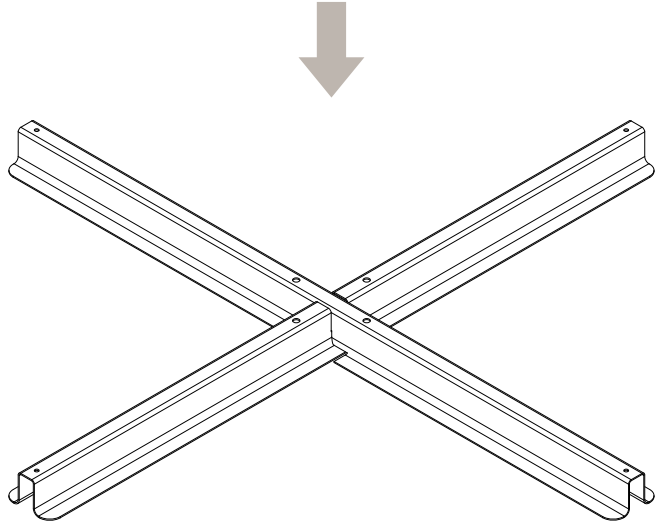
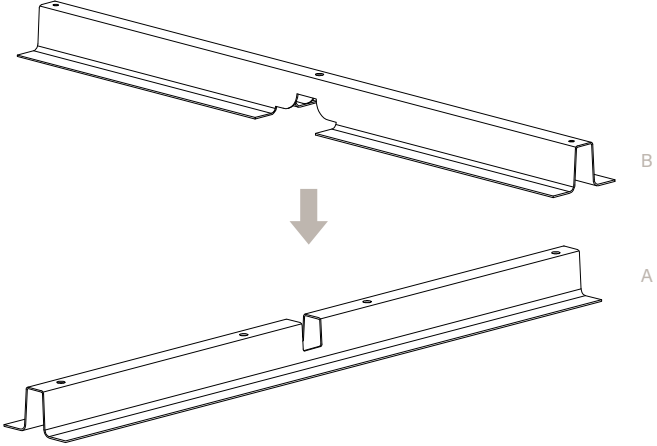


Parts

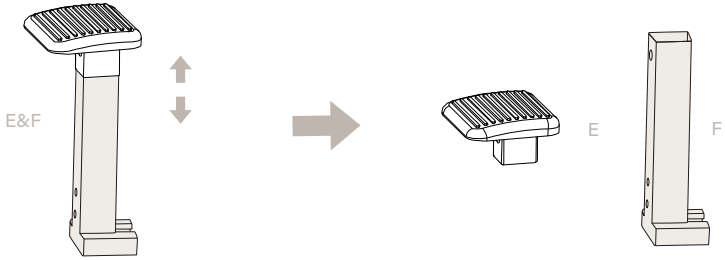
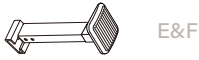


Base Installation

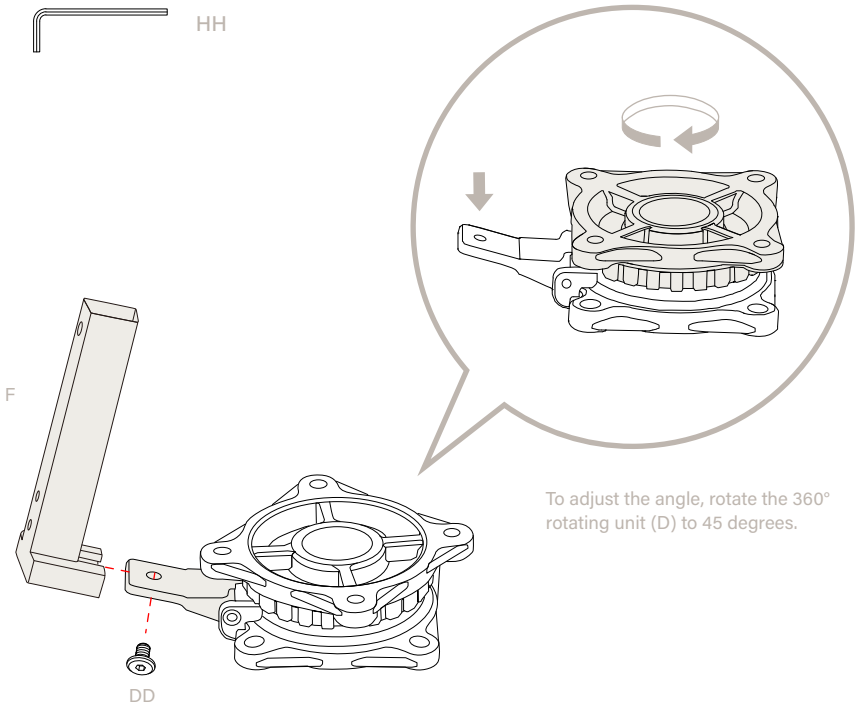
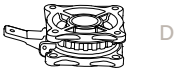
1.1



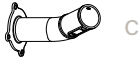
1.2



1.3



1.4



C



M10 X 25mm AA (x4)



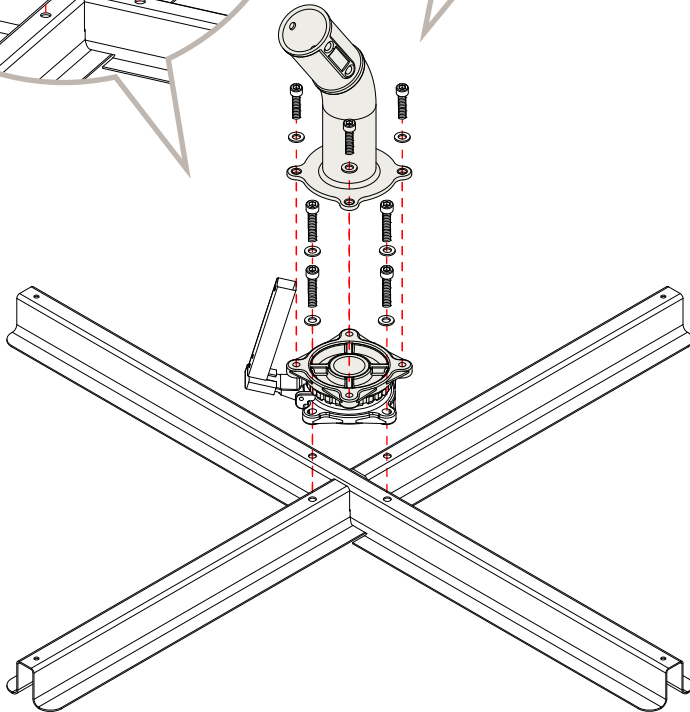
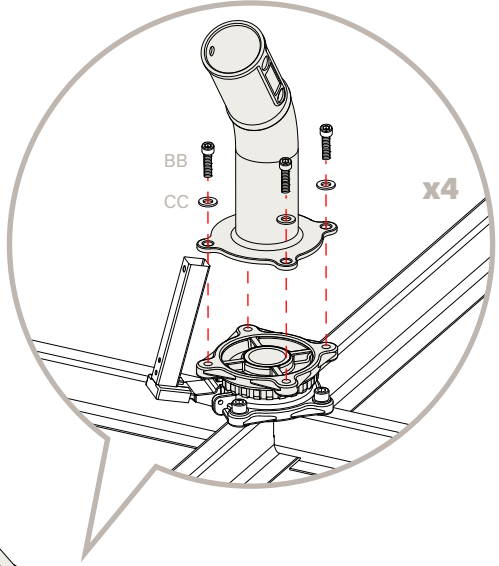
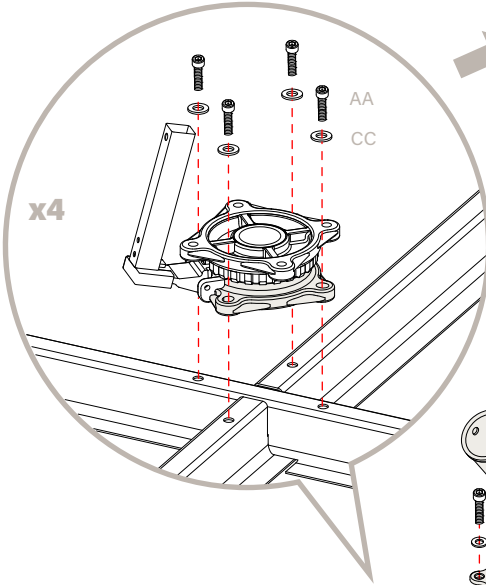
M10 X 20mm BB (x4)



CC (x8)



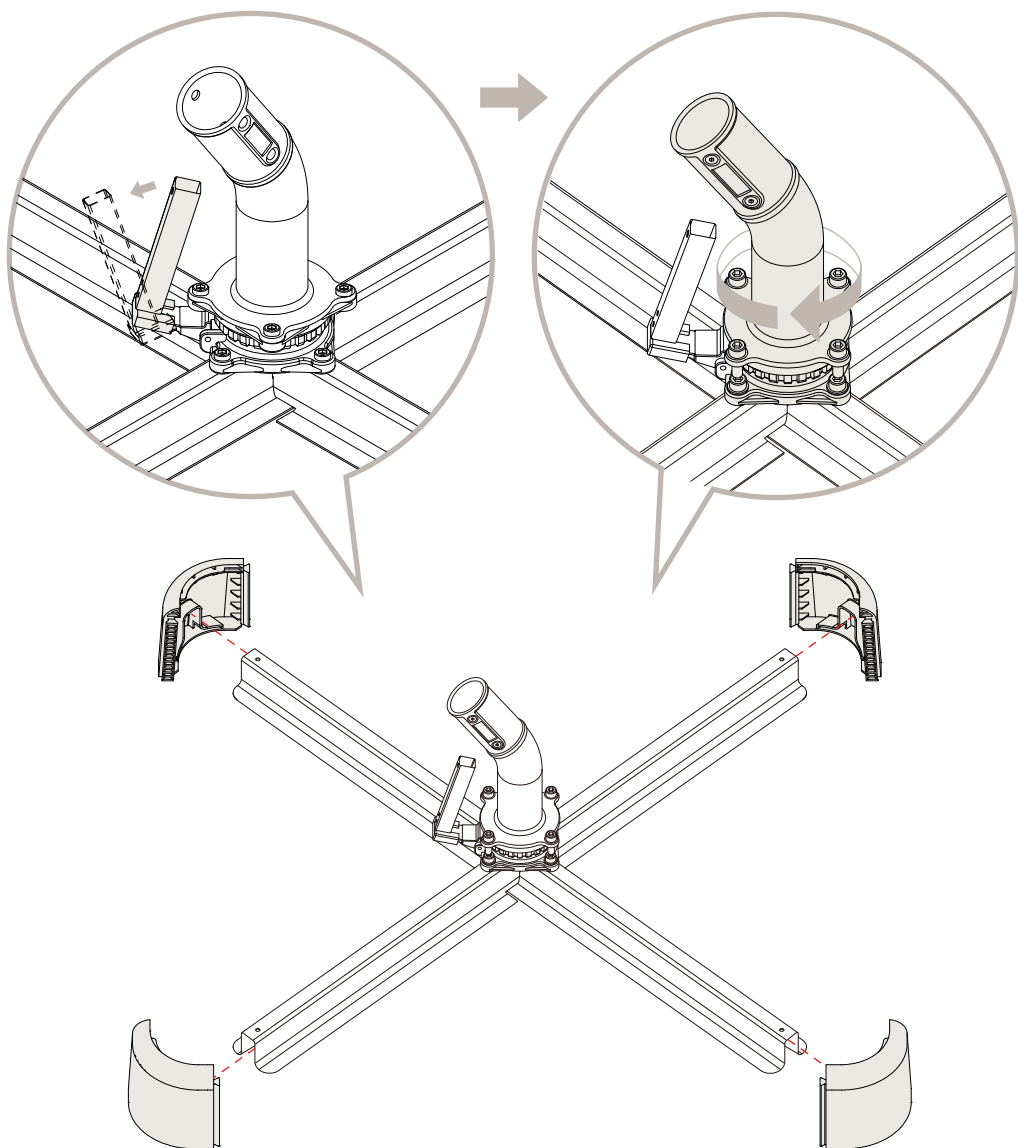
S8 GG



1.5



G (x4)



Insert the corner connector (G) into the four ends of the assembled brackets.



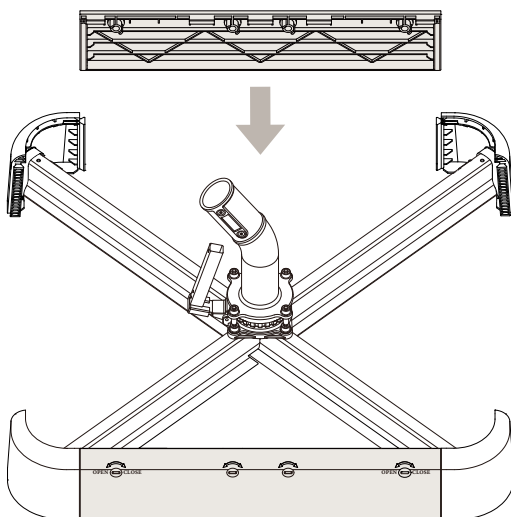
1.6



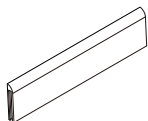
H (x2)



The H panel is the one with a 4-lock system. The 2 H lock panels must be positioned opposite to each other and parallel to the foot pedal direction.

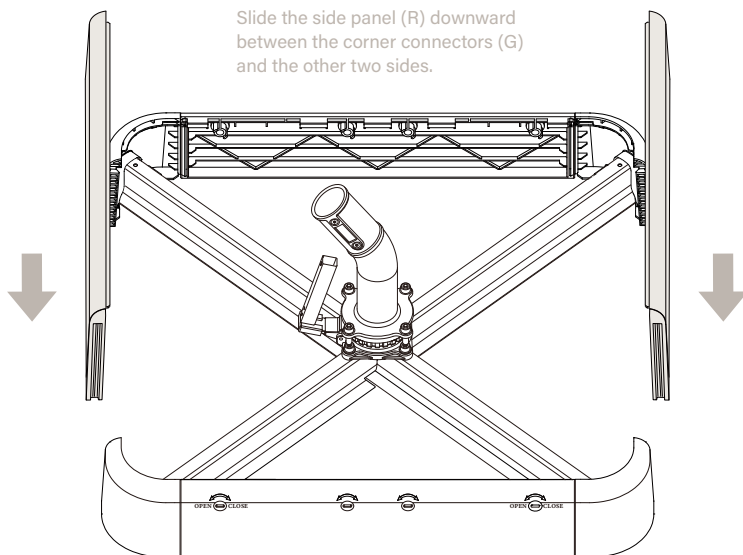


1.7



R (x2)

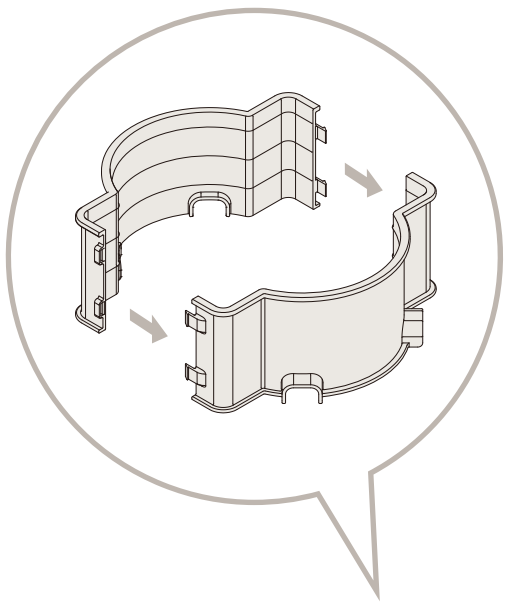
Slide the side panel (R) downward between the corner connectors (G) and the other two sides.



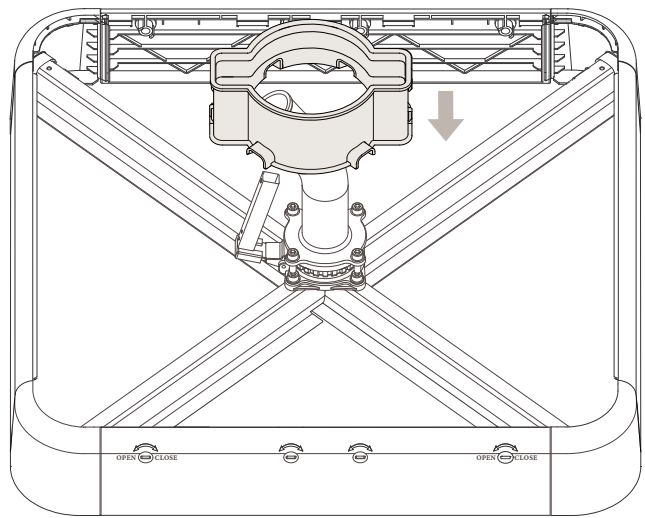
1.8



J (x2)



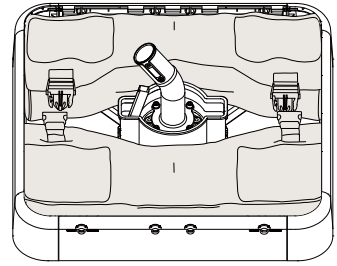
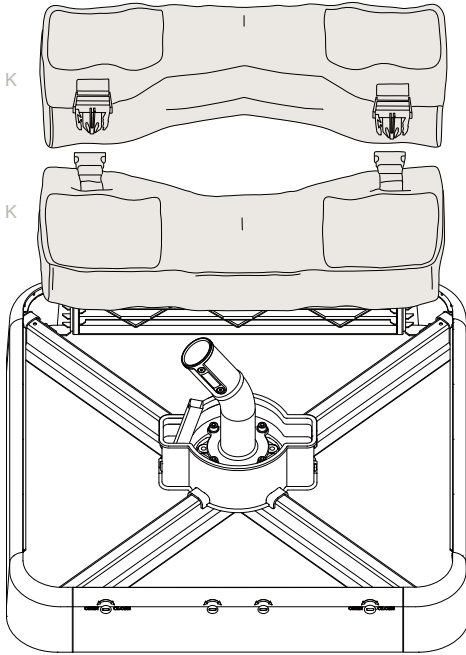
Slide the assembled support tube rim (J) down the base tube (C) and the connect it to the two brackets (A & B).



1.9

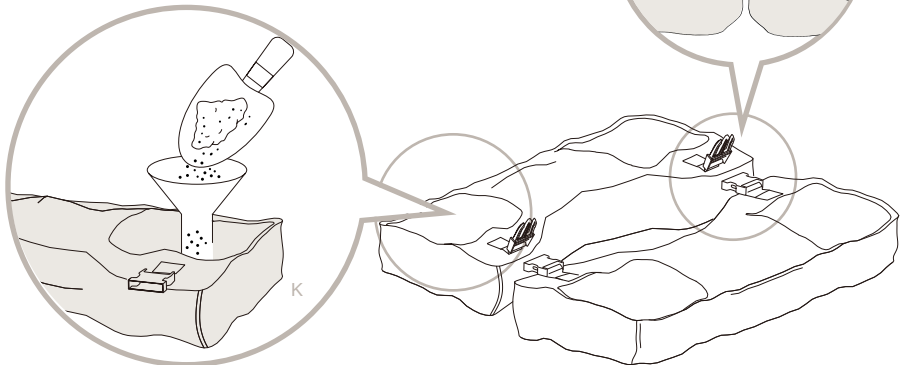


K (x2)

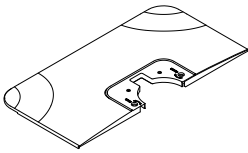


1. Place the sandbag (K) into the umbrella base as the picture shows first.

2. Fill the hook and loop sandbag (K) with at least 220lbs of sand by opening the pouch and adding the sand.



1.10

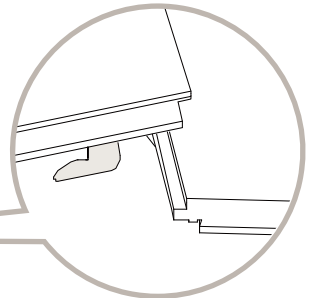
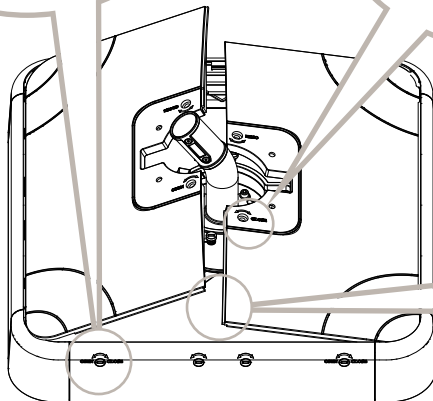
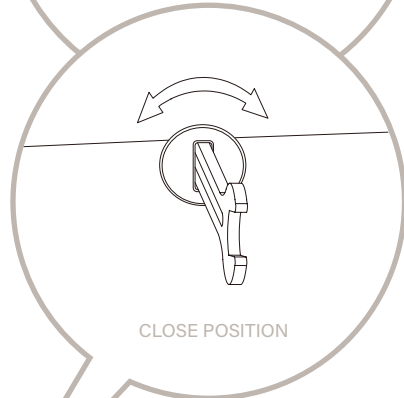
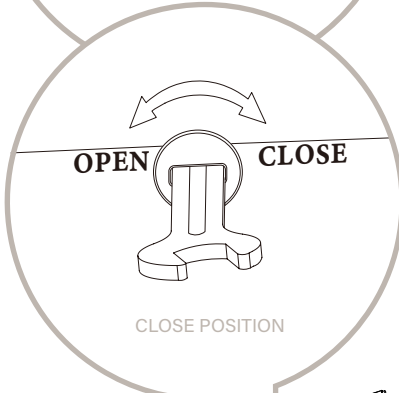
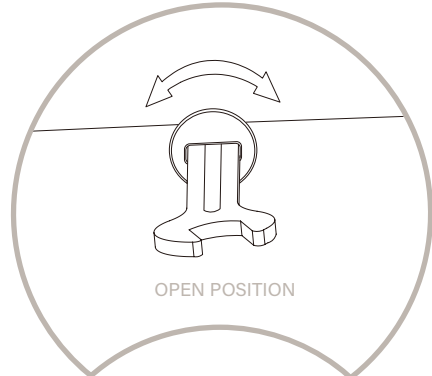
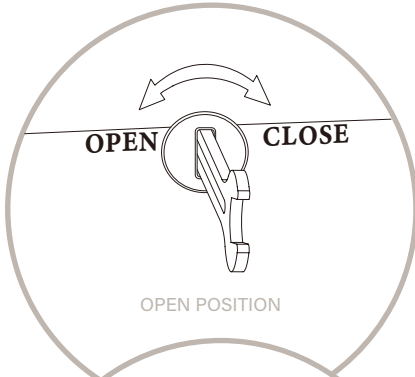


L (x2)

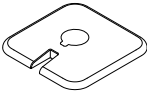


S13 JJ

1. Please confirm that the locking mechanism on the lower base cover (L) is in the OPEN position by using wrench JJ.
2. Similarly, by using wrench JJ, please ensure that the locking mechanism on the lock panel (H) is also in the OPEN position.
3. Attach the lower base cover (L) to the side panels (R).
4. Close the lower base cover (L) and ensure that it is fully closed.

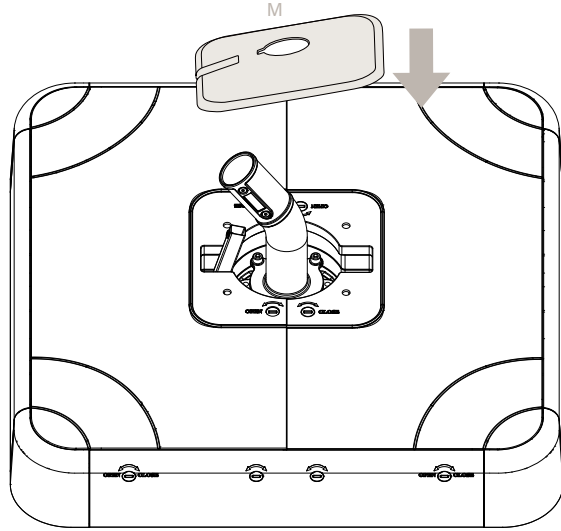


1.11



M

Place the upper base cover (M) onto the foot plate support arm (F).



1.12



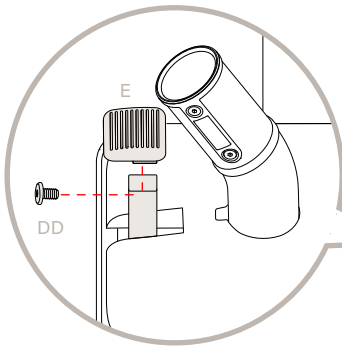
E



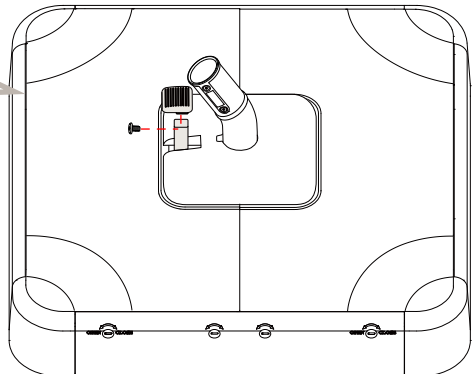
DD



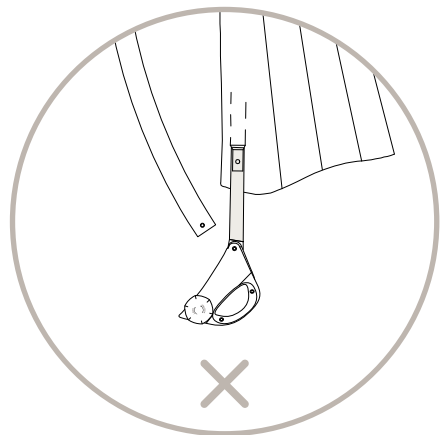
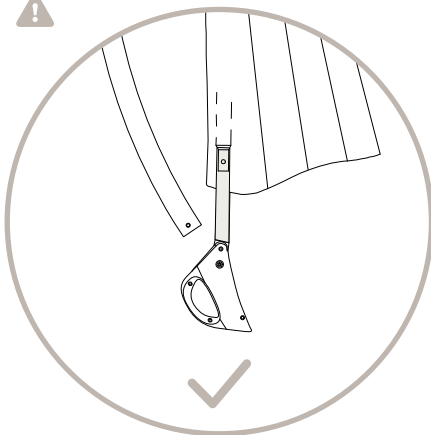
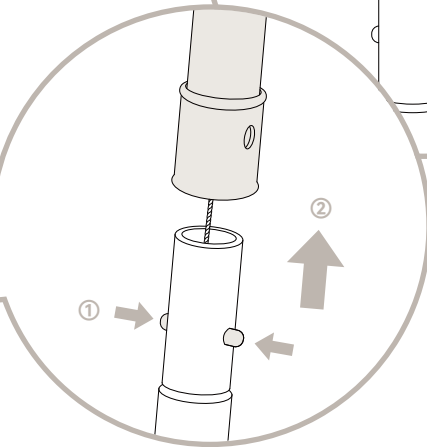
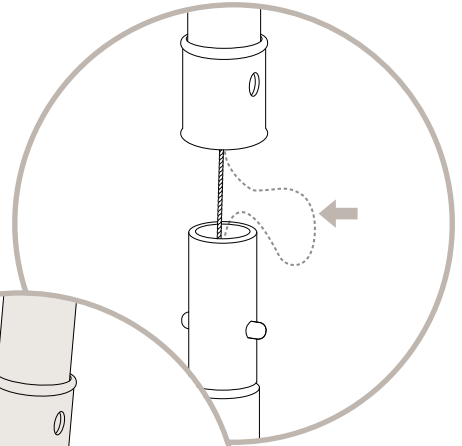
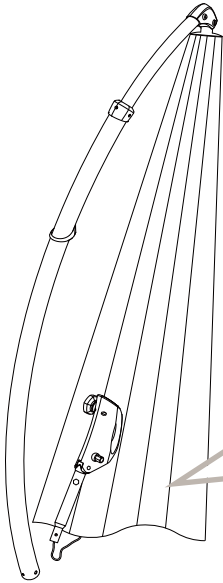
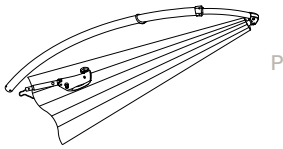
HH



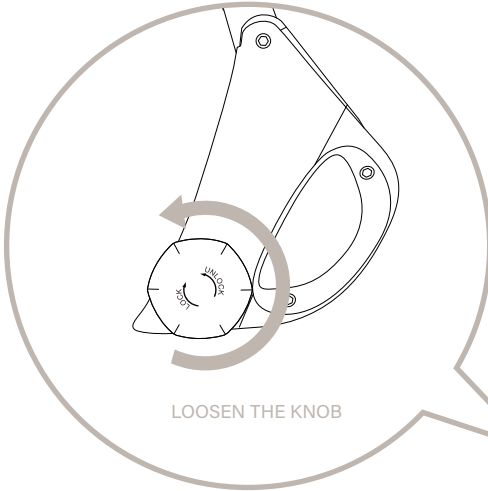
Insert the foot pedal (E) into the foot plate support arm (F). Secure it by inserting M6x10 mm bolt (DD) and tightening it with the hex wrench S5 (HH).



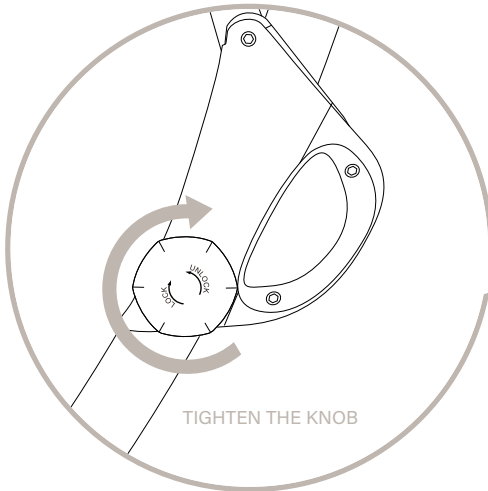
Umbrella Frame Installation

2.1

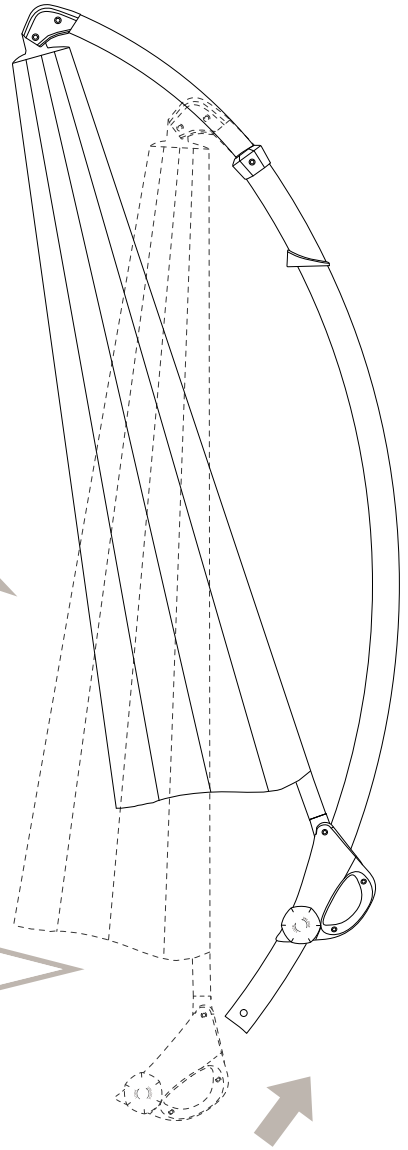
2.2



LOOSEN THE KNOB



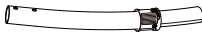
TIGHTEN THE KNOB



Insert main tube into the umbrella handle (P).



2.3



N



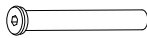
M6 X 15mm FF (x1)



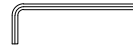
M6 X 25mm LL (x2)



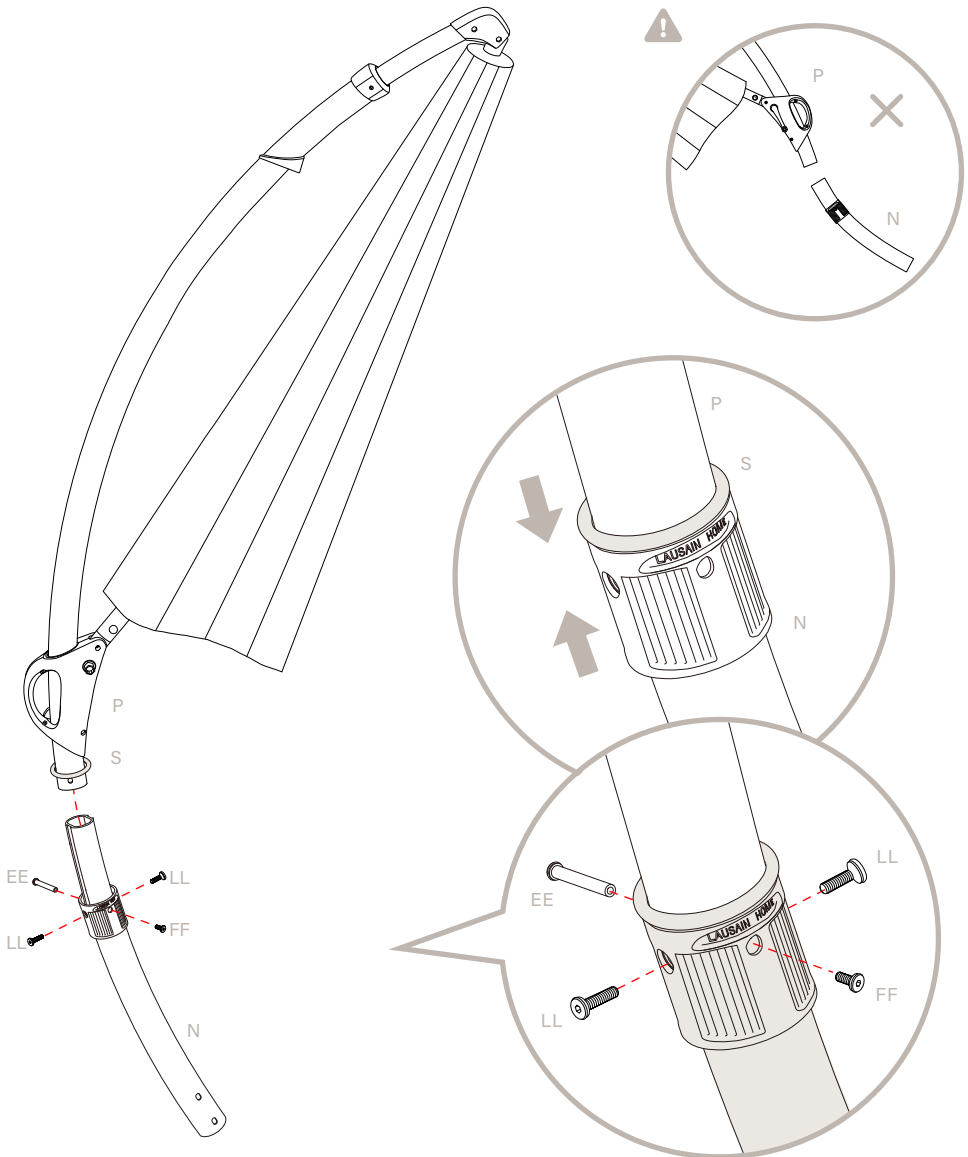
S




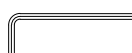
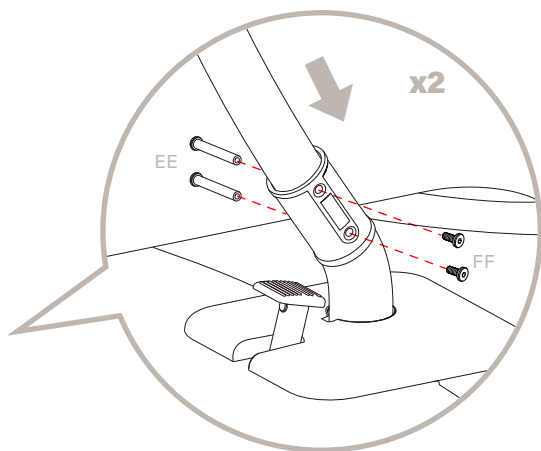
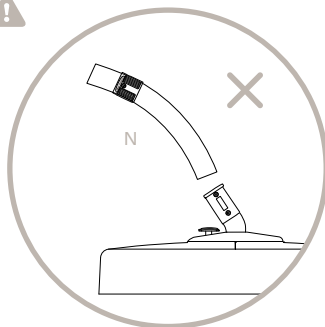
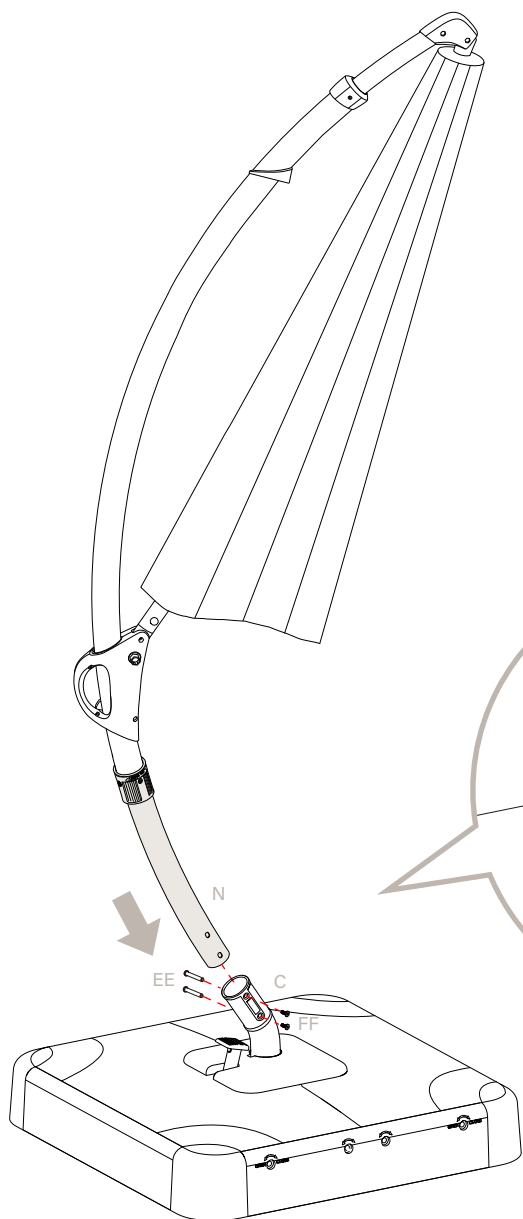
Ø 8.8 X M6 X 66mm EE (x1)



S4 NN (x2)



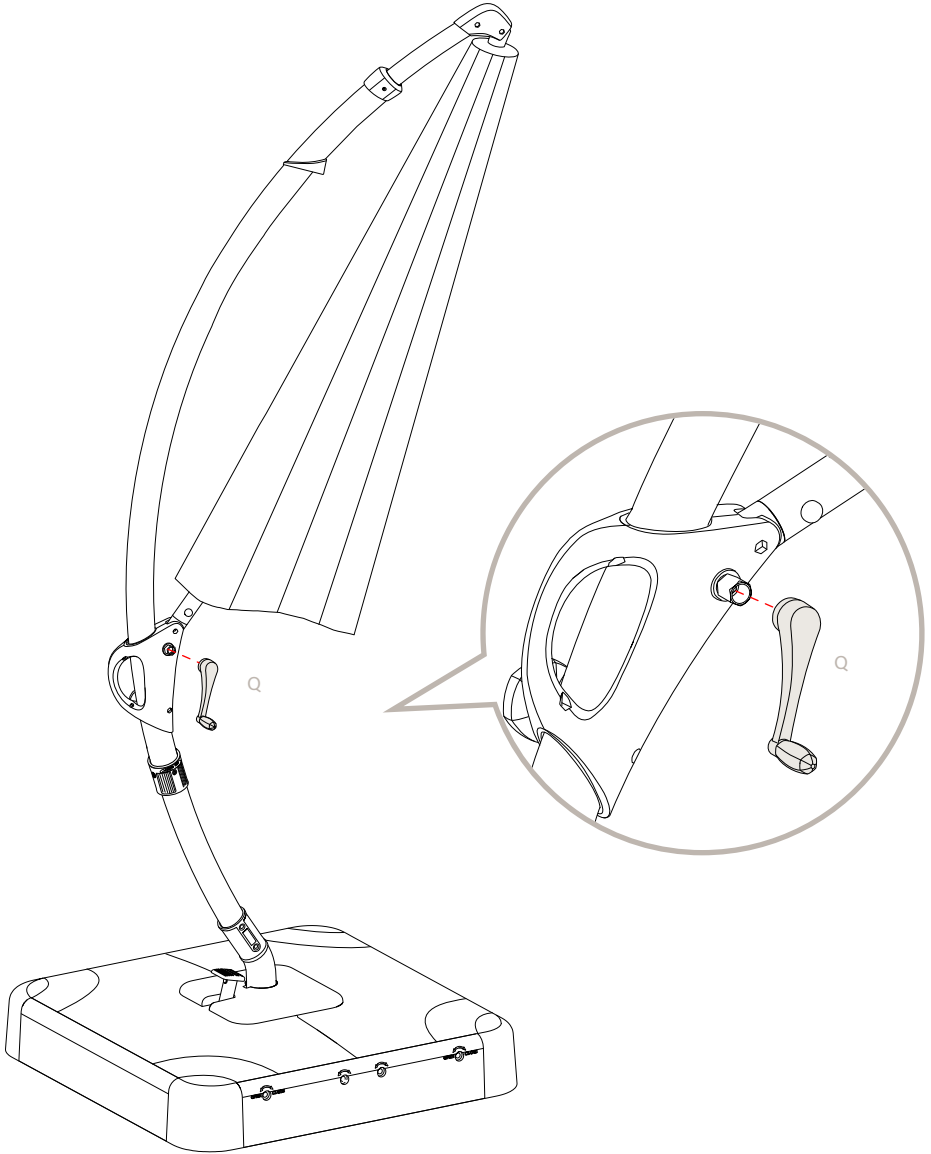
2.4

 Ø 8.8 X M6 X 66mm EE (x2) M6 X 15mm FF (x2) S4 NN (x2)

2.5

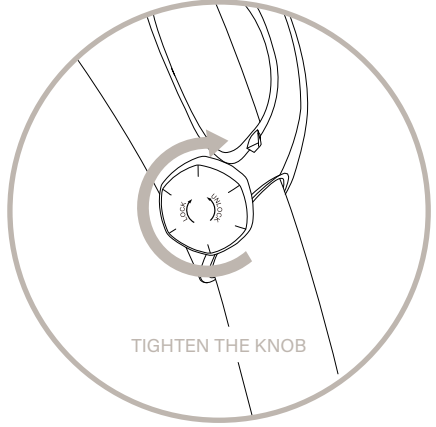
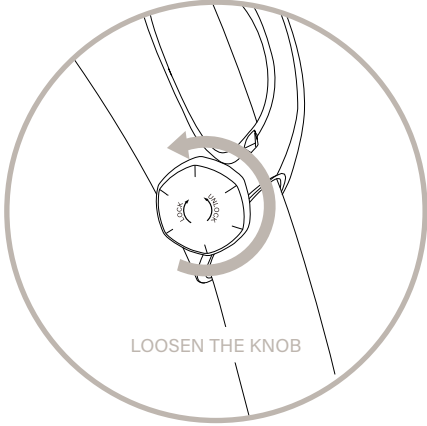


Q

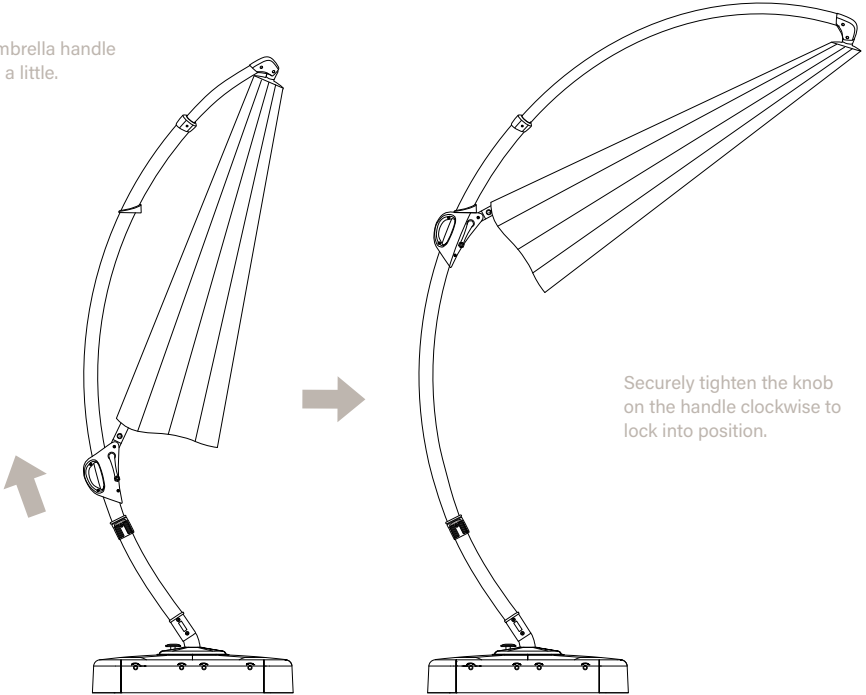


Umbrella Use & Storage

3.1 Loosen the knob on the handle by turning it counter clockwise.

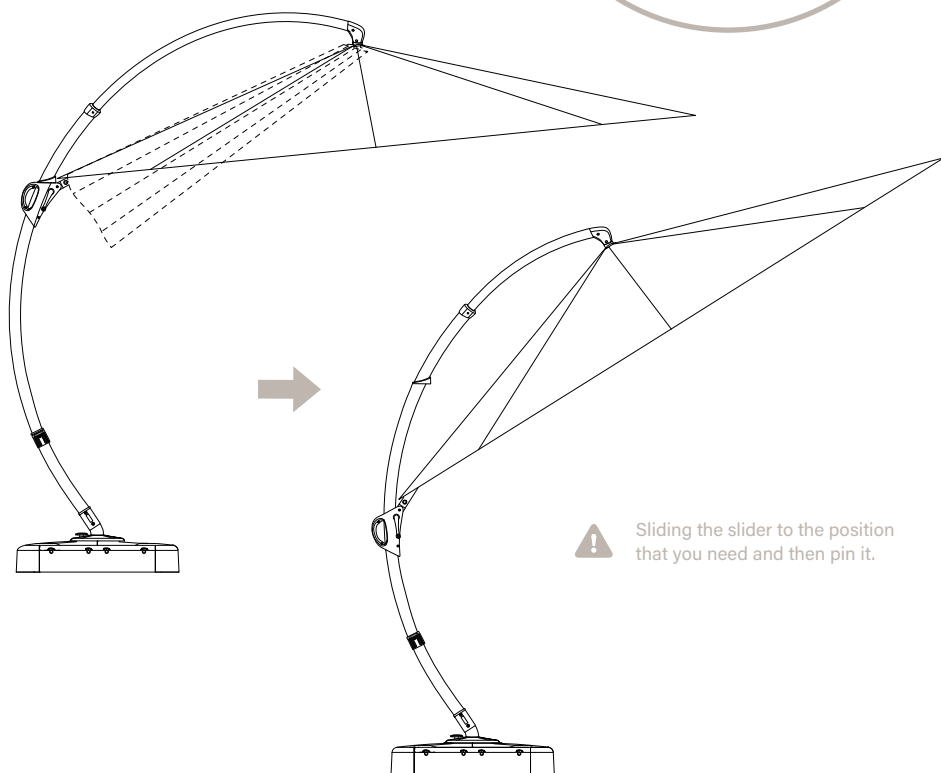
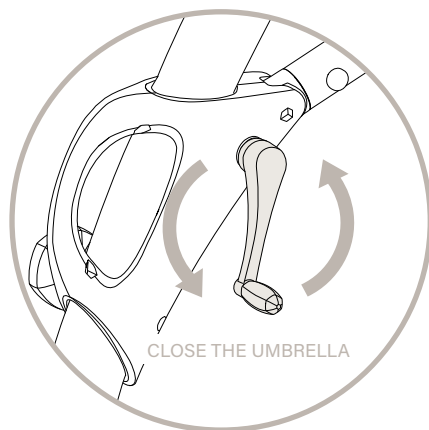
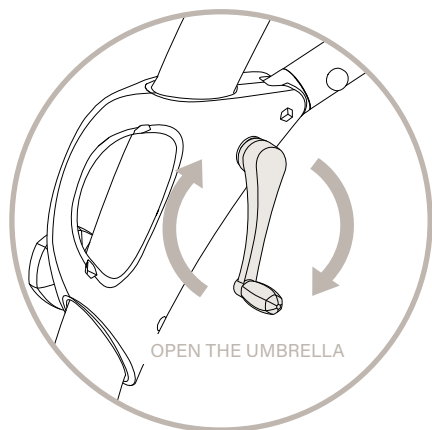


Slide umbrella handle upward a little.



3.2

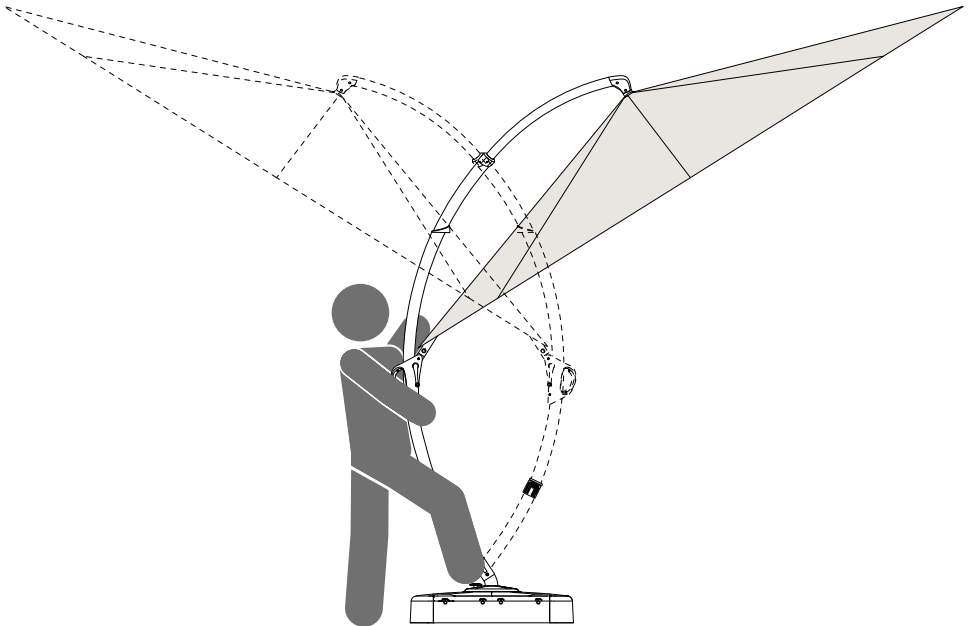
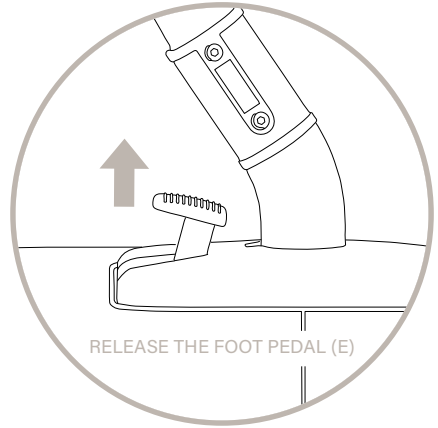
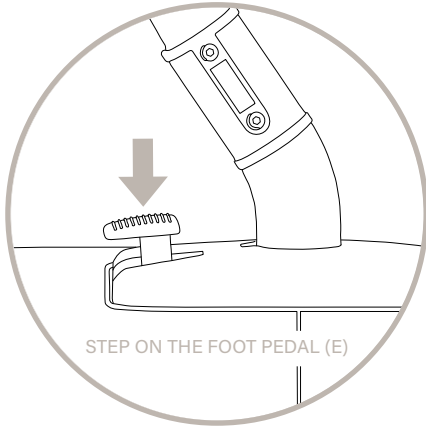
1. Slowly turn the crank (Q) clock-wise to open the umbrella, loosen the knob on the handle by turning it counter clockwise.
2. Slide umbrella handle upward until the pole is fully extended and stops.
3. Securely tighten the knob on the handle clockwise to lock into position.



Sliding the slider to the position that you need and then pin it.

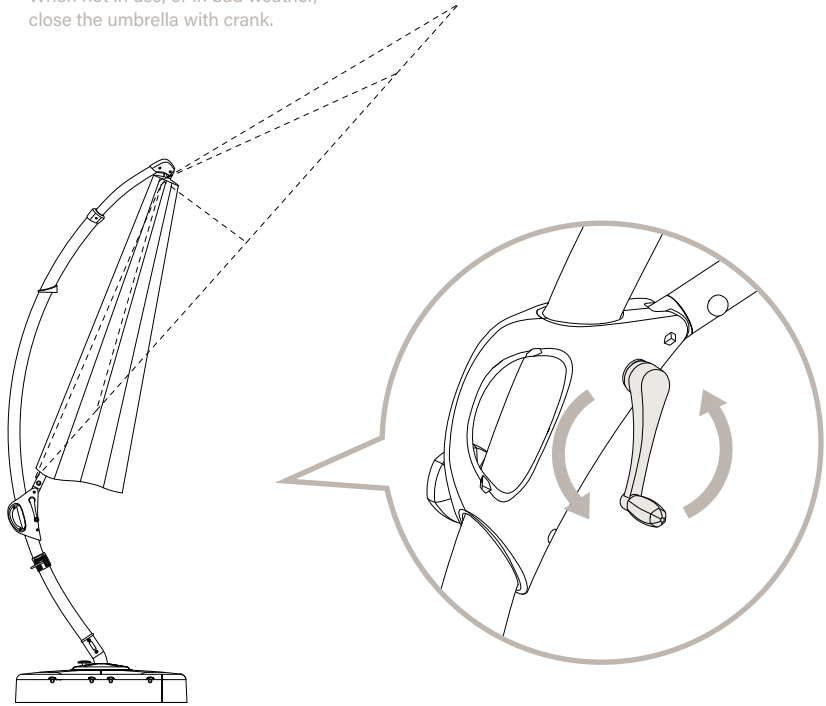
3.3

Step on the foot pedal (E) to allow 360° rotation of umbrella.
Release the foot pedal (E) when the desired position is reached.

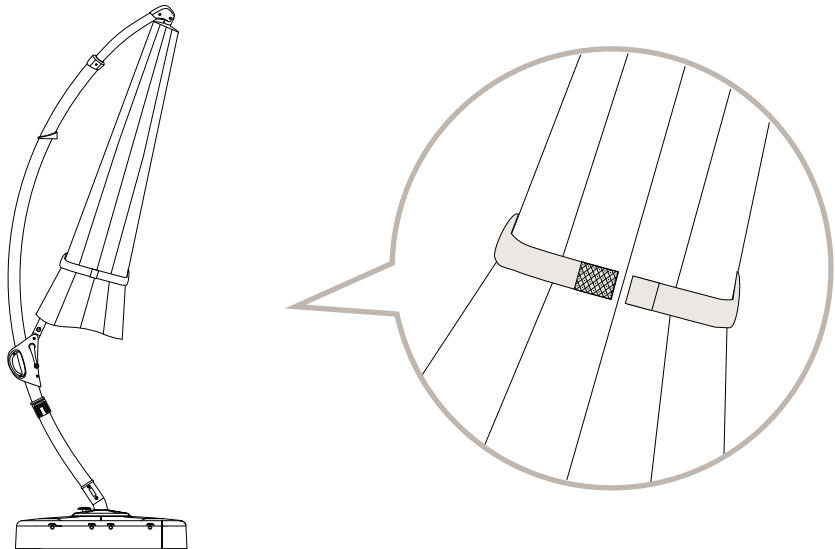


3.4

When not in use, or in bad weather, close the umbrella with crank.

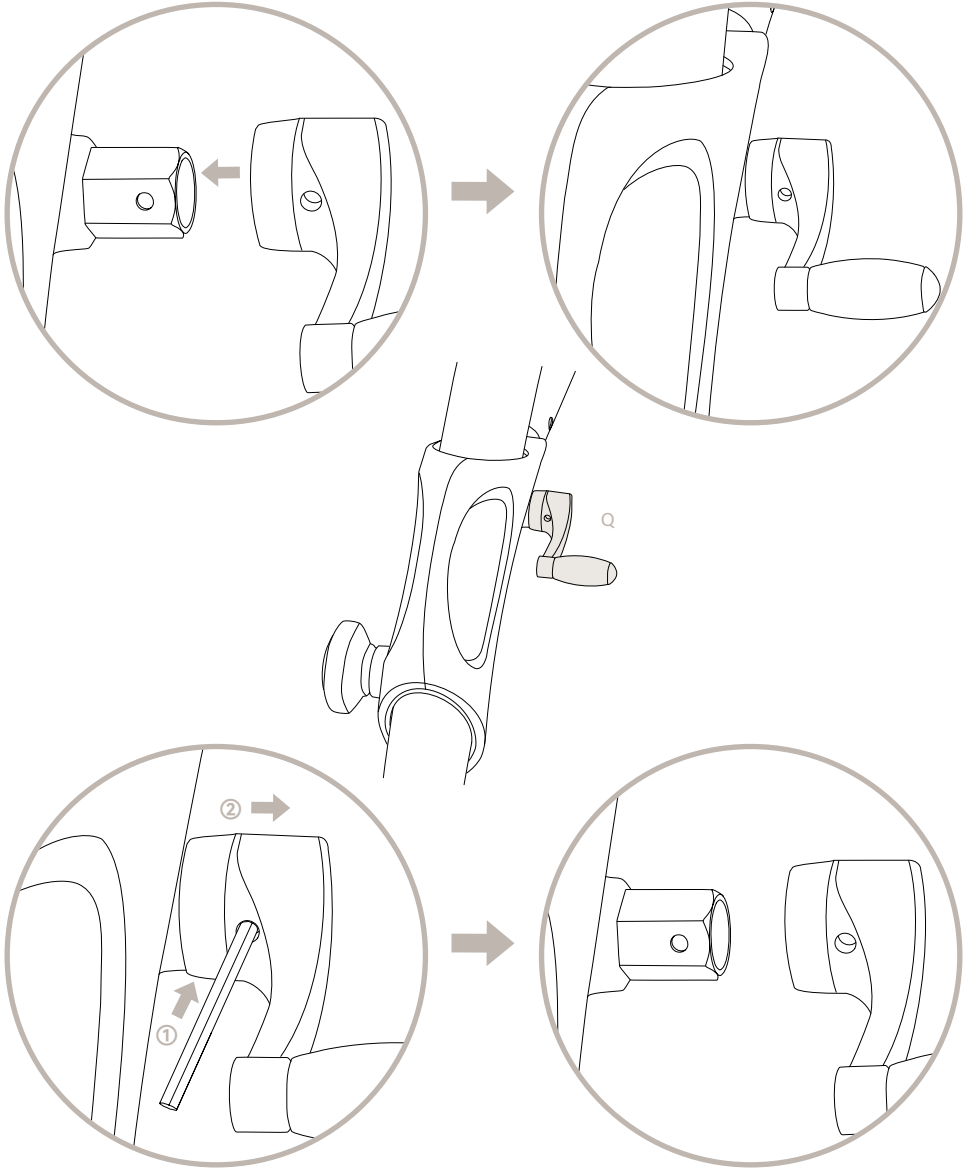
**3.5**

Attach the umbrella shade with the pole using the fabric tie.



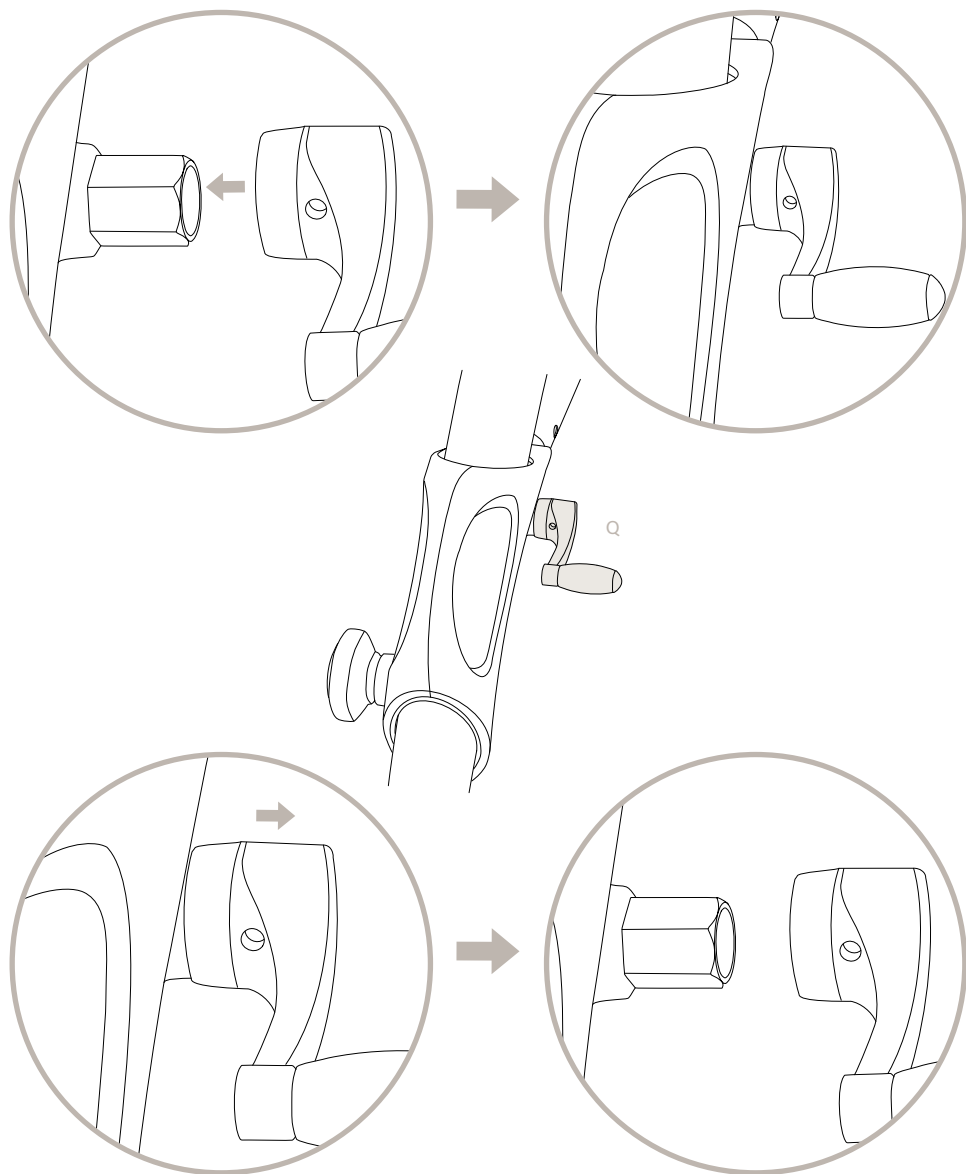
Attaching The Crank

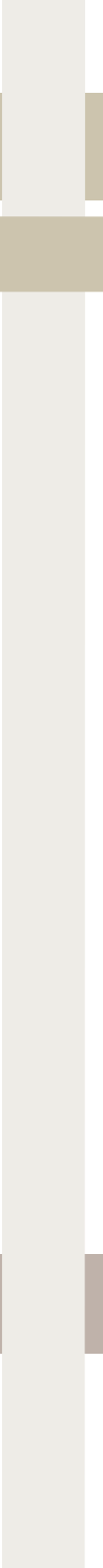
1. Attach the crank (Q) to the handle as shown.
2. Attach the crank (Q) by aligning the tap with the hole on the crank (Q) until it snaps into place.
3. To detach the crank, the hex wrench S4 (NN) is required to press the tap to take the crank (Q) out.



Detaching The Crank

1. Attach the crank (Q) without using the tap as shown in Figure 2.
2. To detach the crank (Q), just take the crank out.





CUSTOMER SERVICE LETTER



LAUSAINT HOME CARES ABOUT EVERY CUSTOMER'S SHOPPING EXPERIENCE.



BEFORE RETURNING THE ITEM TO OUR WAREHOUSE

please contact us via email at customerservice@lausaint.com and provide the following details:

1. Purchase platform and order ID.
2. Product name or SKU.
3. Traceability code on the installation manual (such as: YQxxYxxW).
4. Close-up pictures clearly exhibiting product details (such as damaged packaging, faulty parts, damaged components, or missing parts). Please CIRCLE them on the installation manual.

Note: We will reply to you within 24 working hours after receiving your email.



Shipping Questions:

1. If you order an item with multiple packages, the packages will be delivered separately. The total number of boxes is indicated on the packaging.
2. Before contacting us regarding missing parts, please check and ensure that you have received all the boxes. In general, all boxes will arrive within 3 business days.
3. Please feel free to contact us if there is any delay.