

# ASSEMBLY INSTRUCTIONS



## CAUTION

◆ Inspect the wire insulation for any cuts, abrasions, or exposed copper that may have resulted during shipping. If there is a defect in the wire, do not attempt installation.

◆ Before starting installation of this fixture or removal of a previous fixture, disconnect the power by turning off the circuit breaker or by removing the fuse at the fuse box.

## TOOLS REQUIRED



Ladder



Safety glasses



Electrical tape



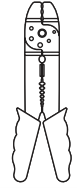
Phillips screwdriver



Flat blade screwdriver

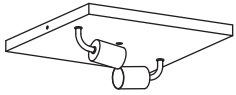


Pliers

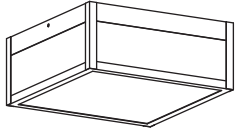


Wire strippers

## HARDWARE INCLUDED



Fixture



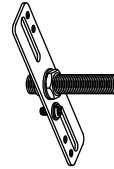
Shade



Screws



Rubber Rings



Mounting Unit



Ball Nut



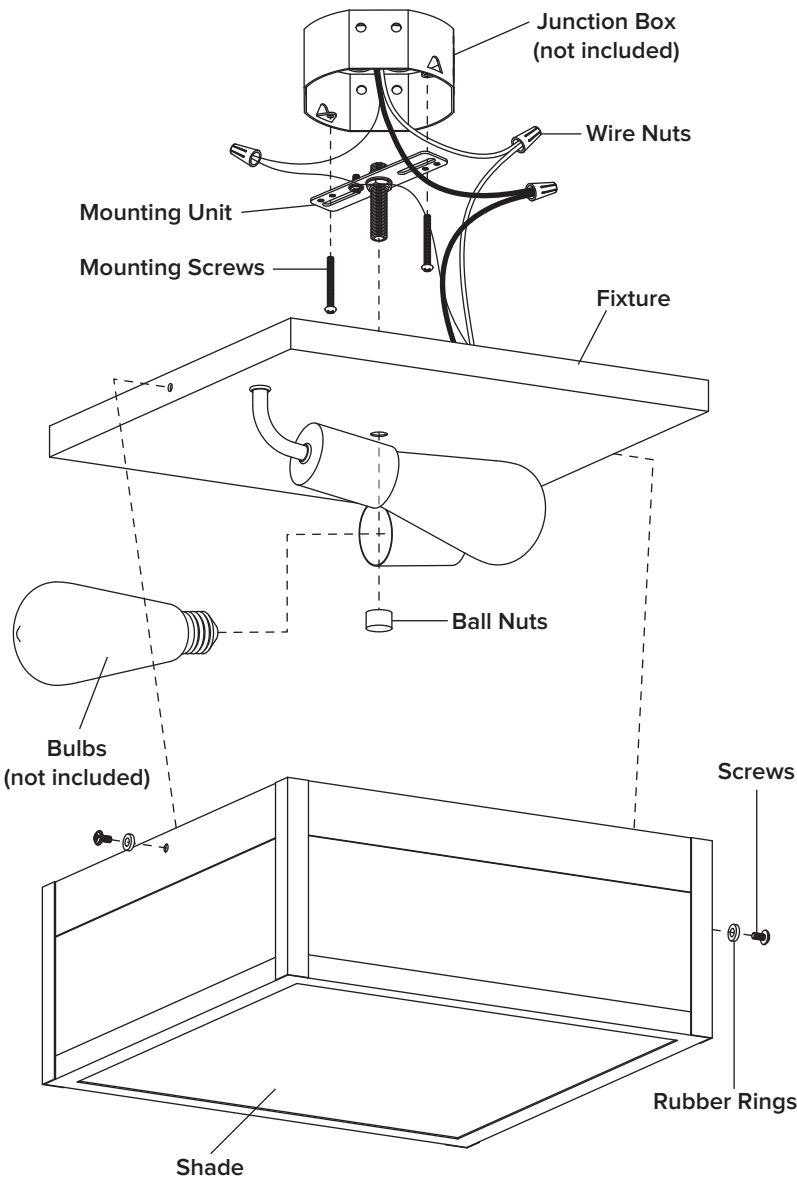
Mounting Screws



Wire Nuts

\* PARTS SHOWN MAY DIFFER SLIGHTLY PER LIGHT FIXTURE

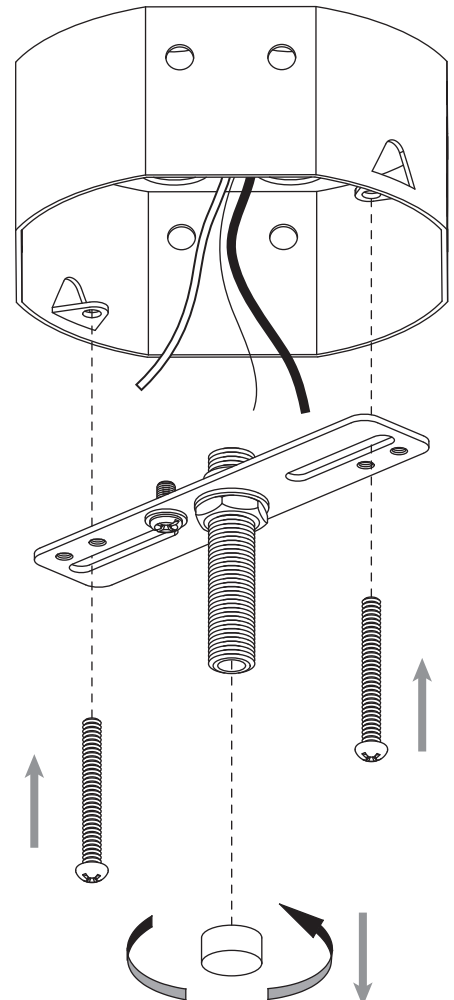
## EXPLODED PARTS



## INSTALLATION

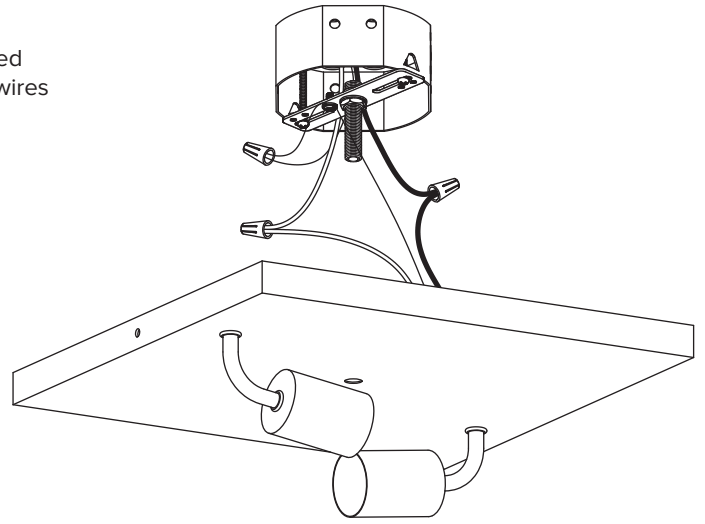
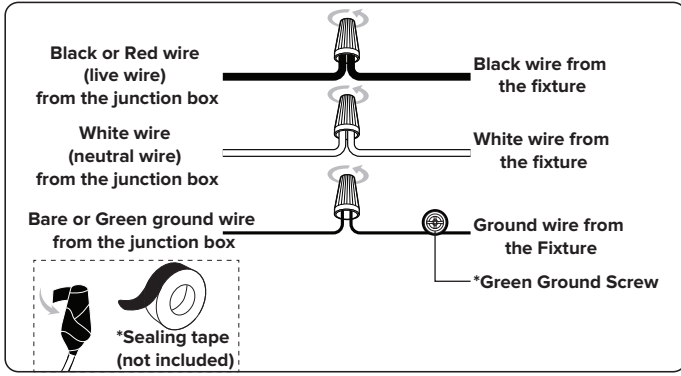
### STEP 1

1. Unscrew the **ball nut** from the **mounting unit**.
2. Adjust threaded rod on **mounting unit** to allow **fixture** to rest flush against the ceiling when **ball nut** is tightened.
3. Use the **mounting screws** to attach the **mounting unit** to the junction box (not included).



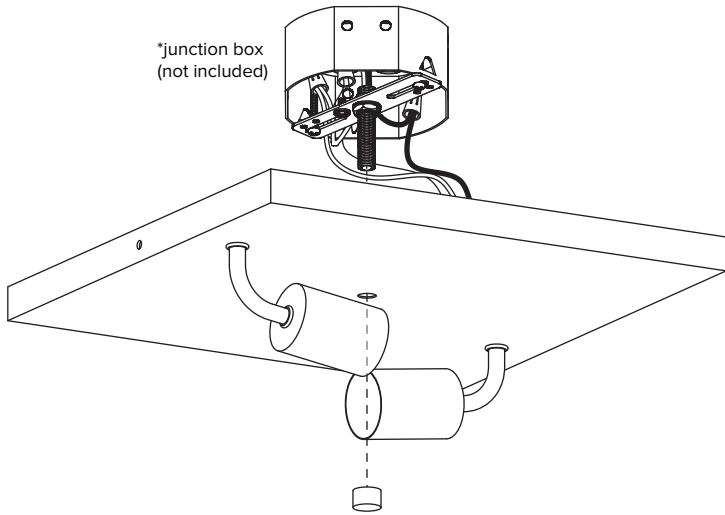
## STEP 2

Make the electrical connection from the junction box (not included) to the **fixture**. Connect the ground wire to the **mounting unit** using the preinstalled green ground screw. Next, connect the live wire, neutral wire and ground wires with the supplied **wire nuts**. Secure with electrical tape.



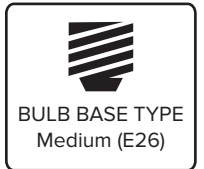
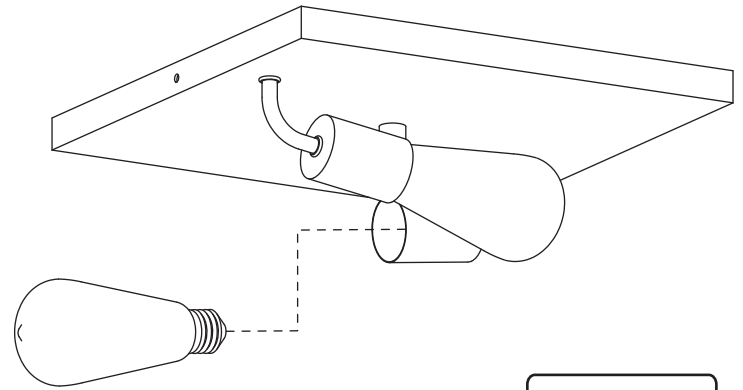
## STEP 3

Attach the **fixture** to the **mounting unit** through **screw holes** as shown, and secure it with **ball nut**.



## STEP 4

Install bulbs (not included).



## STEP 5

Attach the **shade** onto **fixture** using **rubber rings** and **screws**.

