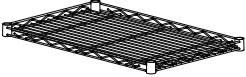
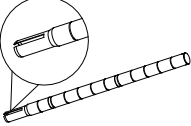
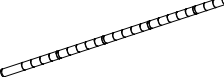
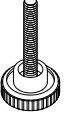


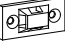



INSTALLATION

Carbon Steel Rack with 4-shelf

Parts list

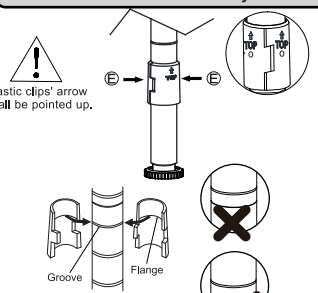
A shelf  x4	B upper pole  x4	C bottom pole  x4	D adjustable pin  x4
E clips  spare parts x1pairs x16pairs	F anti-tip strap  x2	G buckle  x2	H rubber plug & screw  x4

ASSEMBLY INSTRUCTIONS

1. Snap two plastic clips together around the bottom pole at a height you want and keep the arrow up. Move up and down the clips to make sure that they lock into the grooves.
2. Repeat Step1 and finish the 4 bottom poles with clips. Slide the bottom shelf onto the pole.
3. Push the bottom shelf down onto plastic clips until the shelf fits tight. (Tap lightly with rubber mallet if necessary)

1

Note: There is a gap between 2PCS plastic clips assembled onto the poles as shown in the picture, this is a structural design rather than a quality issue, which aims to bind the shelves firmly onto the pole.



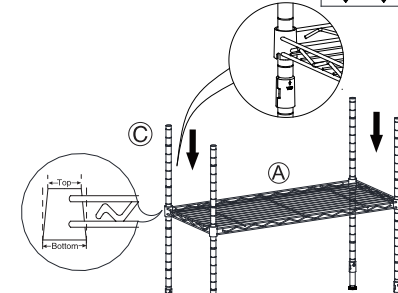
Plastic clips' arrow shall be pointed up.

Groove Flange

NOTICE DO NOT lock the clips on double groove.

2

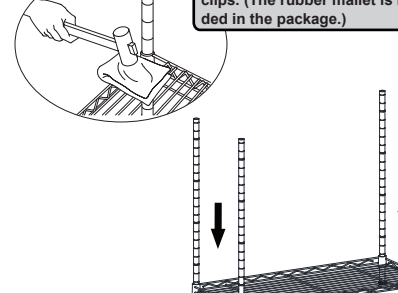
Note: Keep the gap in collar face down.



UP-Top
DOWN-Bottom

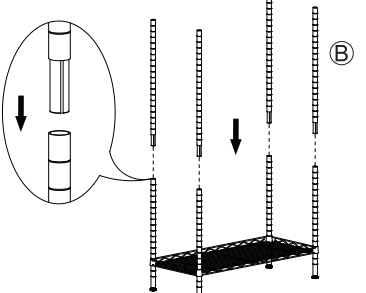
3

Note: It is kindly advised to hit the edges of the shelf with a rubber mallet to make it firmly fastened to the plastic clips. (The rubber mallet is not included in the package.)

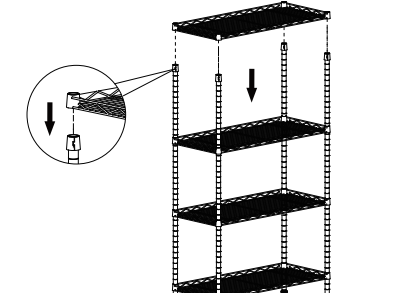


4. Install tubes accordingly.
5. Install all the shelves according to step 3.
6. Drill two holes (dia.6x35mm) on the marked places and insert the rubber plugs, then fix the buckle on wall by screws, and then use the anti-tip strap to tie the pole as the drawing shows.

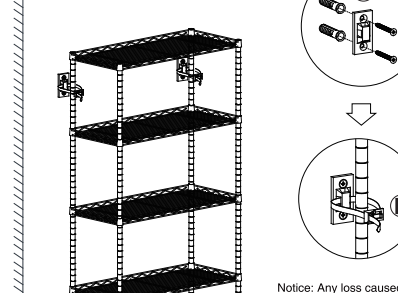
4



5



6



G **H**

F

Notice: Any loss caused by not installing anti-tip kit will not be borne by our company

AFTER-SALE SERVICE:

Thank you for your purchase. Since customer satisfaction is always our primary concern, please contact our Customer Service if you have any problems when using this product. Please attach your order id, details of your problem, take a photo of the broken/missing parts on the instruction book to us so that we can assist you better.