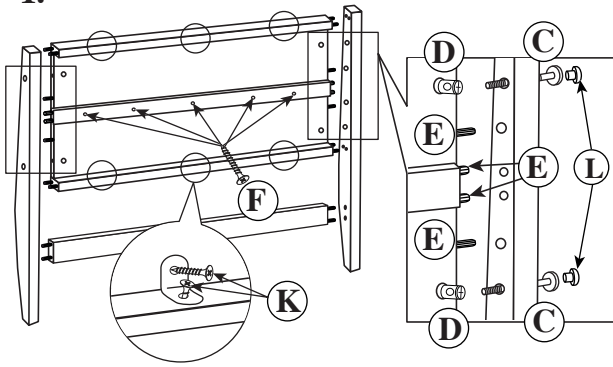


1.



Attach the headboard (P3), headboard rail (P2) and headboard panel (P4) to the headboard post (P1).

You will need to use hardware:

- C = 4pcs
- D = 4pcs
- E = 20pcs
- L = 4pcs

Attach the headboard support (P10) to the headboard (P3).

You will need to use hardware:

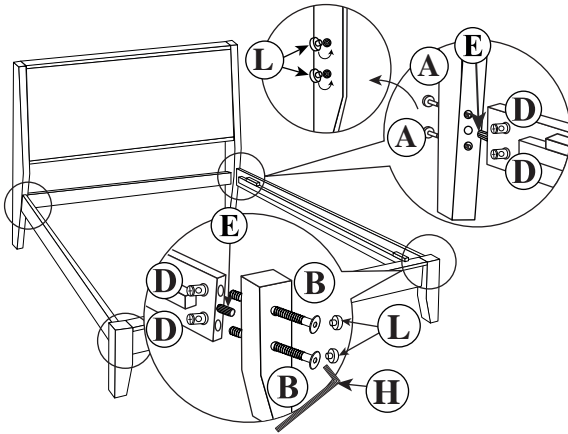
- F = 5pcs

Attach the headboard (P3) to the headboard rail (P2).

You will need to use hardware:

- K = 12pcs (F)
- or
- K = 16pcs (Q/K)
- G = 6pcs (F)
- or
- G = 8pcs (Q/K)

2.



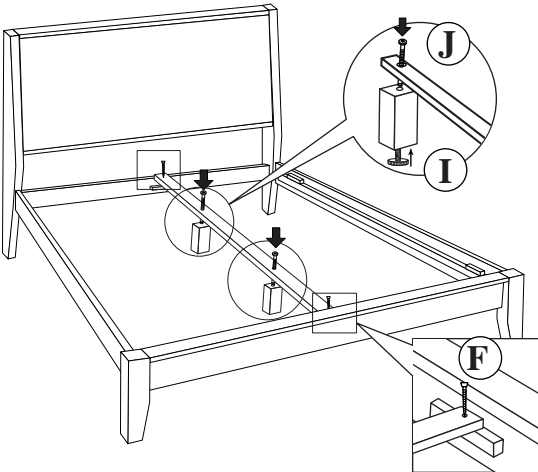
Attach the side rail (P5) to the headboard post (P1) using hardware :

- A = 4pcs
- D = 4pcs
- E = 2pcs
- L = 4pcs

Attach the side rail (P5) to the footboard (P6) using hardware :

- B = 4pcs
- D = 4pcs
- E = 2pcs
- L = 4pcs

3.



Fix the adjuster (I) to the support leg (P8) using hardware :

- I = 2pcs

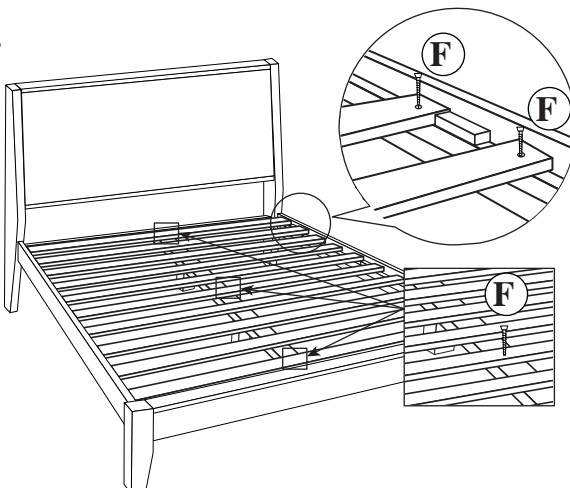
Attach the support legs (P8) to the centre rail (P7) using hardware :

- J = 2pcs

Attach the centre rail (P7) to the headboard panel (P4) and footboard (P6) using hardware :

- F = 2pcs

4.



Lay the slats (P9) between the side rail (P5) using hardware :

- F = 28pcs (F)
- or
- F = 30pcs (Q/K)

Attach the slats (P9) to the centre rail (P7) using hardware :

- F = 3pcs

WARNING!!

- Remove hardware from box and sort by size.
- Please check to see that hardware and parts are present prior start of assembly.
- Please follow attached instruction in the same sequence numbered to ensure fast and easy assembly.
- Do not use this bed if any part is broken, torn or missing.
- The assembly of this product requires two people.
- Do not use any power tools as this may damage the frame and will invalidate any claim.

PART LIST

P1		Headboard Post	= 2pcs
P2		Headboard Rail	= 2pcs
P3		Headboard	= 1pcs
P4		Headboard Panel	= 1pcs
P5		Side Rail	= 2pcs
P6		Footboard	= 1pcs
P7		Centre Rail	= 1pcs
P8		Support leg	= 2pcs
P9		Bed Slats (F) Bed Slats (Q/K)	= 14pcs = 15pcs
P10		Headboard Support	= 1pcs

HARDWARE LIST

A		M6 x 100mm JCBC	4pcs
B		M6 x 90mm JCBC	4pcs
C		M6 x 60mm JCBC	4pcs
D		BARREL NUT	12pcs
E		Ø8 x 35mm WOOD DOWEL	24pcs
F		M4 X 25mm SCREW (F) M4 X 25mm SCREW (Q/K)	38pcs 40pcs
G		L BRACKET (F) L BRACKET (Q/K)	6pcs 8pcs
H		ALLEN KEY	1pcs
I		ADJUSTER	2pcs
J		M6 x 50mm JCBC	2pcs
K		M4 X 16mm SCREW (F) M4 X 16mm SCREW (Q/K)	12pcs 16pcs
L		WOODEN PLUG	12pcs

