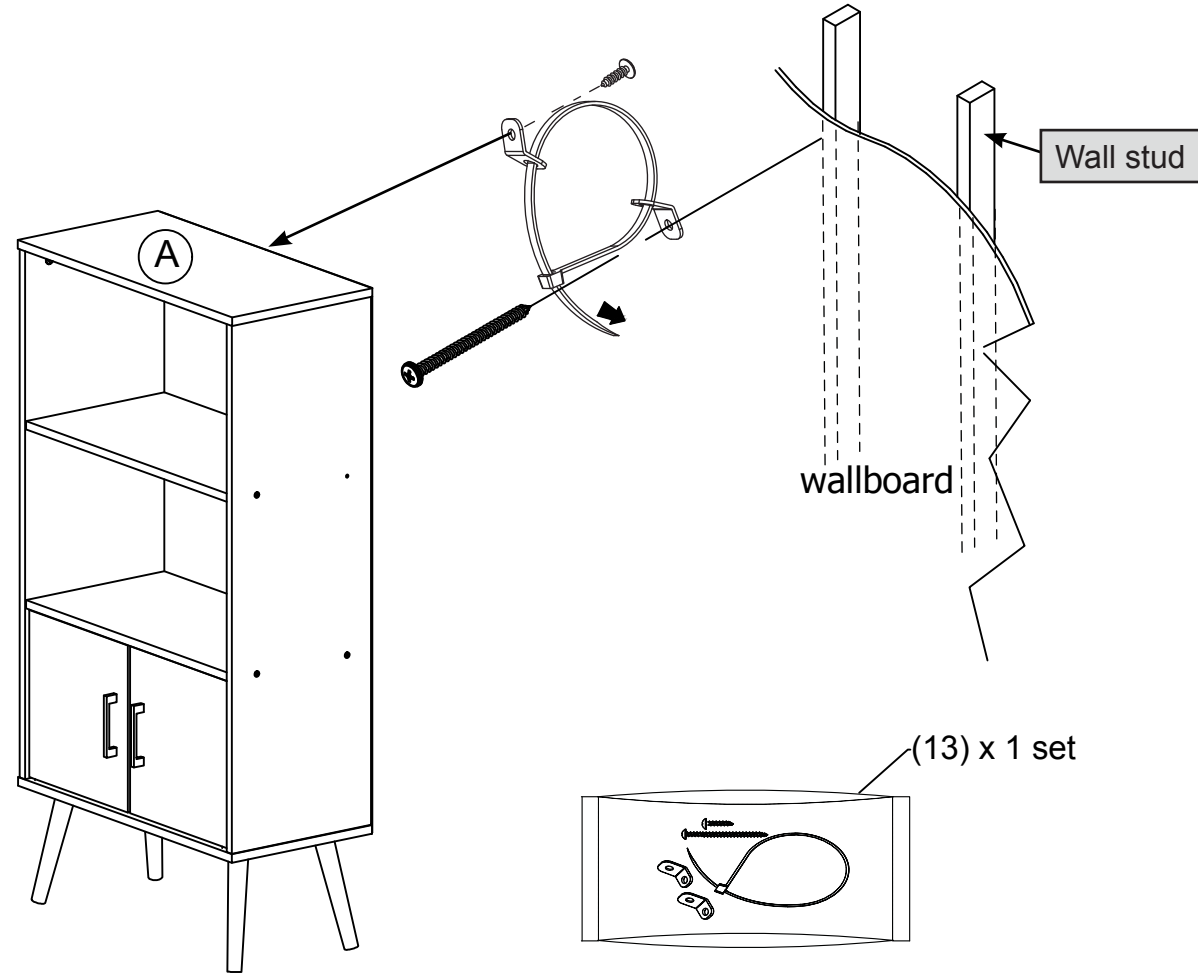
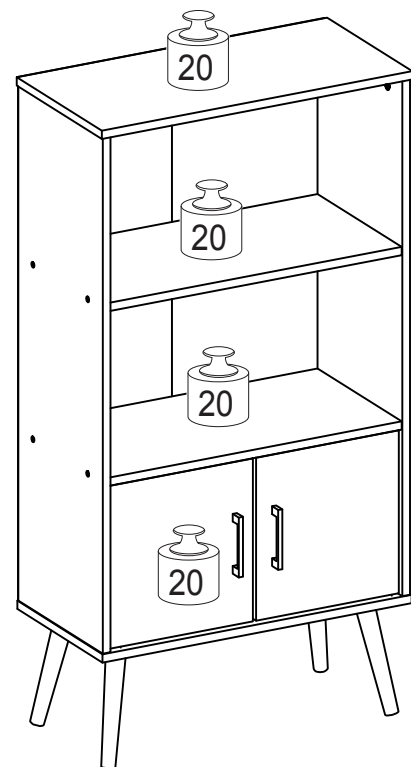


STEP 9

PLEASE FOLLOW BELOW INSTRUCTION TO PREVENT PRODUCT TIP OVER.



Recommended Maximum Weight



*Unit in Pound(lbs)



WARNING:

>This unit has been designed to support the maximum loads shown. Exceeding these load limits could cause sagging, instability, product collapse, and/or serious injury.

>DO NOT allow children to climb on unit.

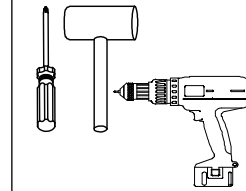
>Put heavier items on lower shelves.

00:30

Approx. 30 minutes



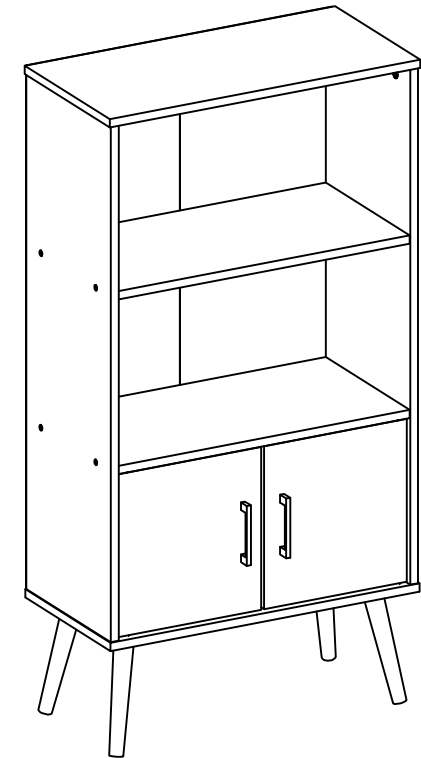
Recomm. 2 Persons



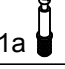
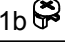


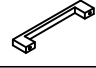








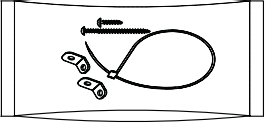
Tool Required

Assembly Instruction

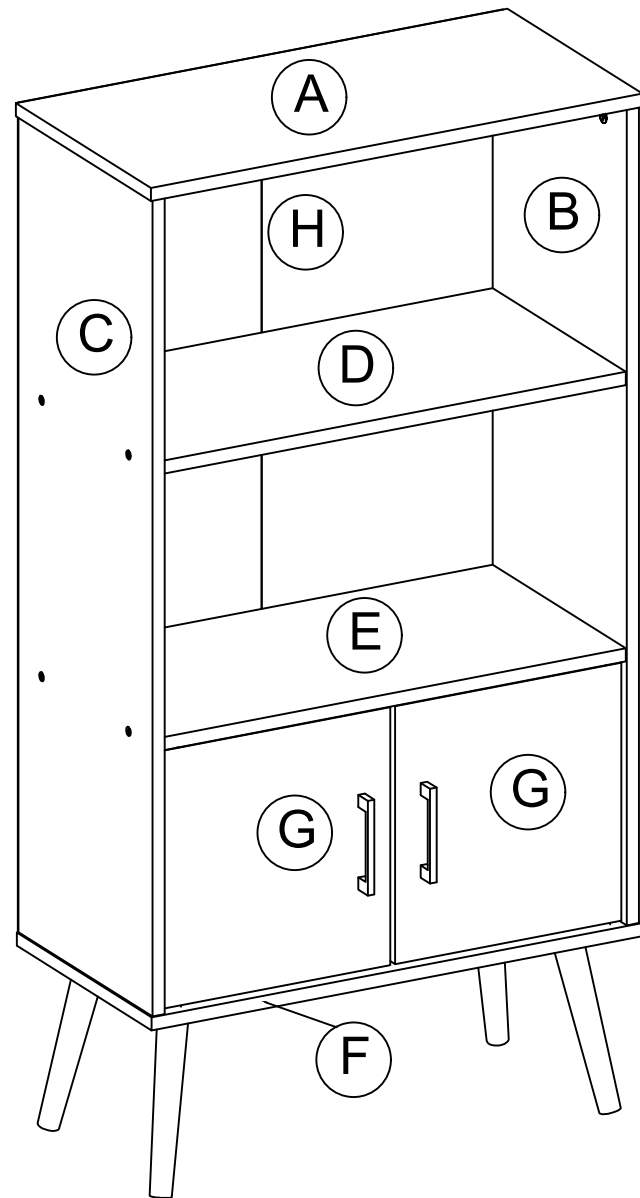
Accent Cabinet with Wood Legs



HARDWARE & PARTS LIST

NO	HARDWARE LIST	QTY
1	MINIFIX  	4sets
2	LONG SCREW 	12pcs
3	DOWEL 	4pcs
4	HANDLE 	2pcs
5	HANDLE SCREW 	4pcs
6	WOODEN LEG 	4pcs
7	METAL SUPPORT PLATE 	4pcs
8	DOOR SPRING 	4pcs
9	SHORT SCREW 	20pcs
10	MAGNET 	2pcs
11	FLAT HEAD SCREW 	2pcs
12	POWER PIN 	28pcs
13	WALL MOUNT SET 	1set

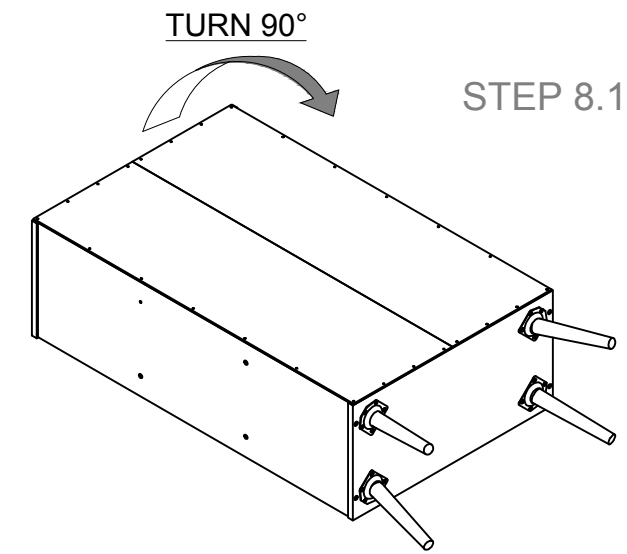
NO	PARTS LIST	QTY
A	TOP PANEL	1pc
B	RIGHT SIDE PANEL	1pc
C	LEFT SIDE PANEL	1pc
D	2ND SHELF PANEL	1pc
E	3RD SHELF PANEL	1pc
F	BOTTOM PANEL	1pc
G	DOOR PANEL	2pcs
H	BACK PANEL	1pc



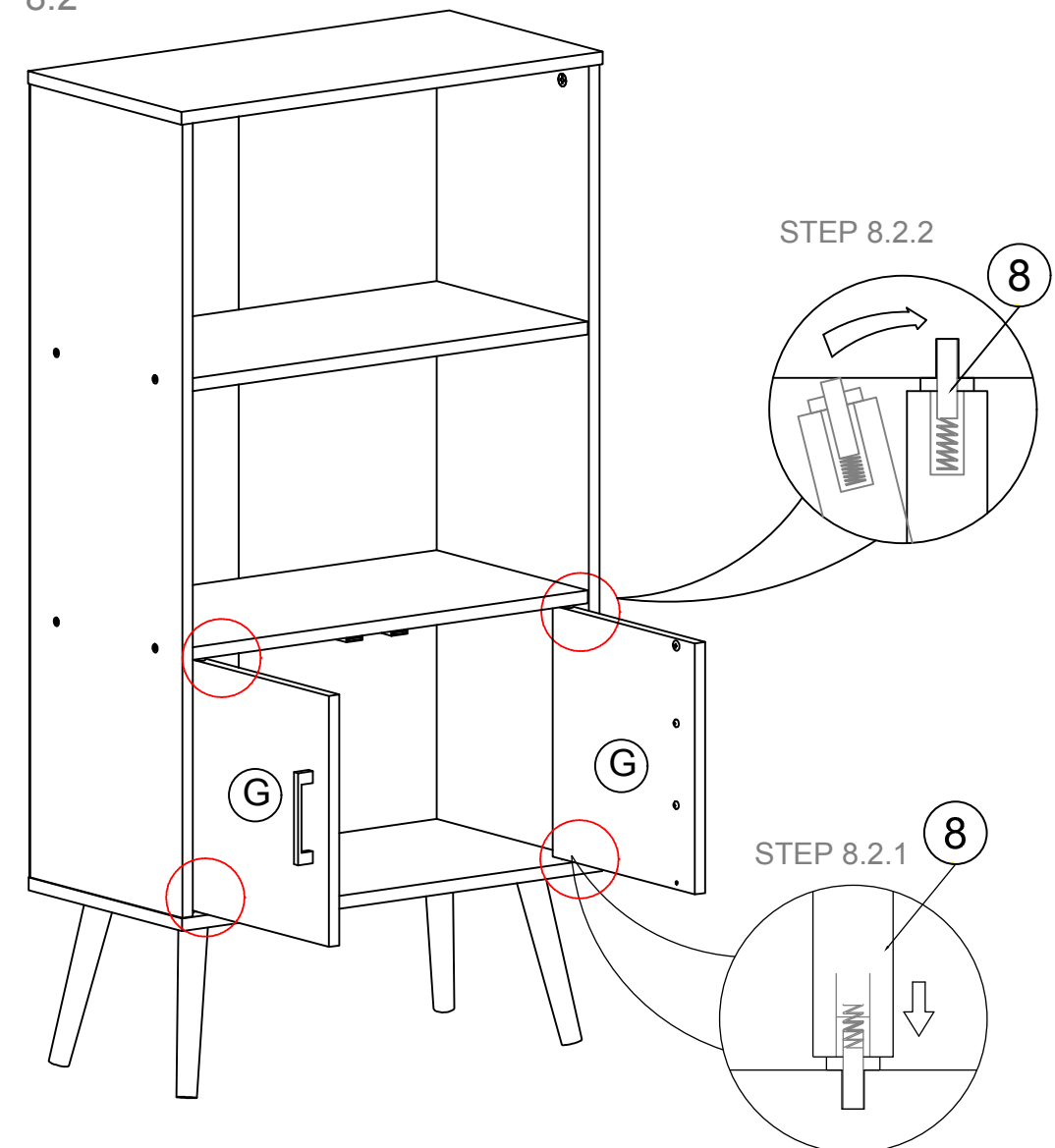
USEFUL HINTS BEFORE YOU START:

1. Read each step carefully before starting.
2. It is important that each step is performed in correct order to avoid difficulties.
3. Identify, sort and count the parts before assembly.
4. Assemble your furniture on packaging cardboard to prevent scratch or damage.
5. Clean the product with mild cleanser using soft dampd cloth. Do not use harsh or abrasive cleanser.
6. Using incompatible hardware might cause damage to product.

STEP 8

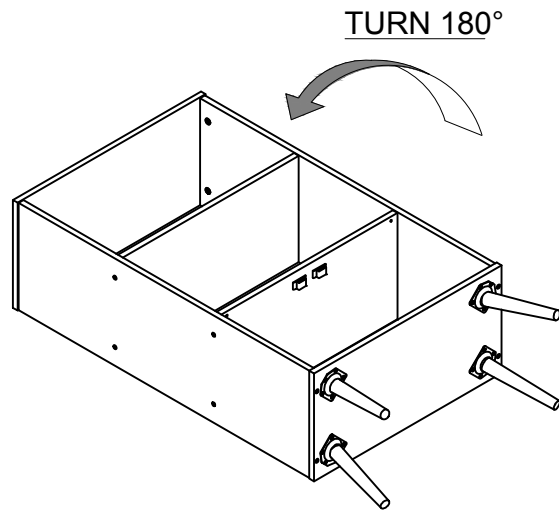


STEP 8.2

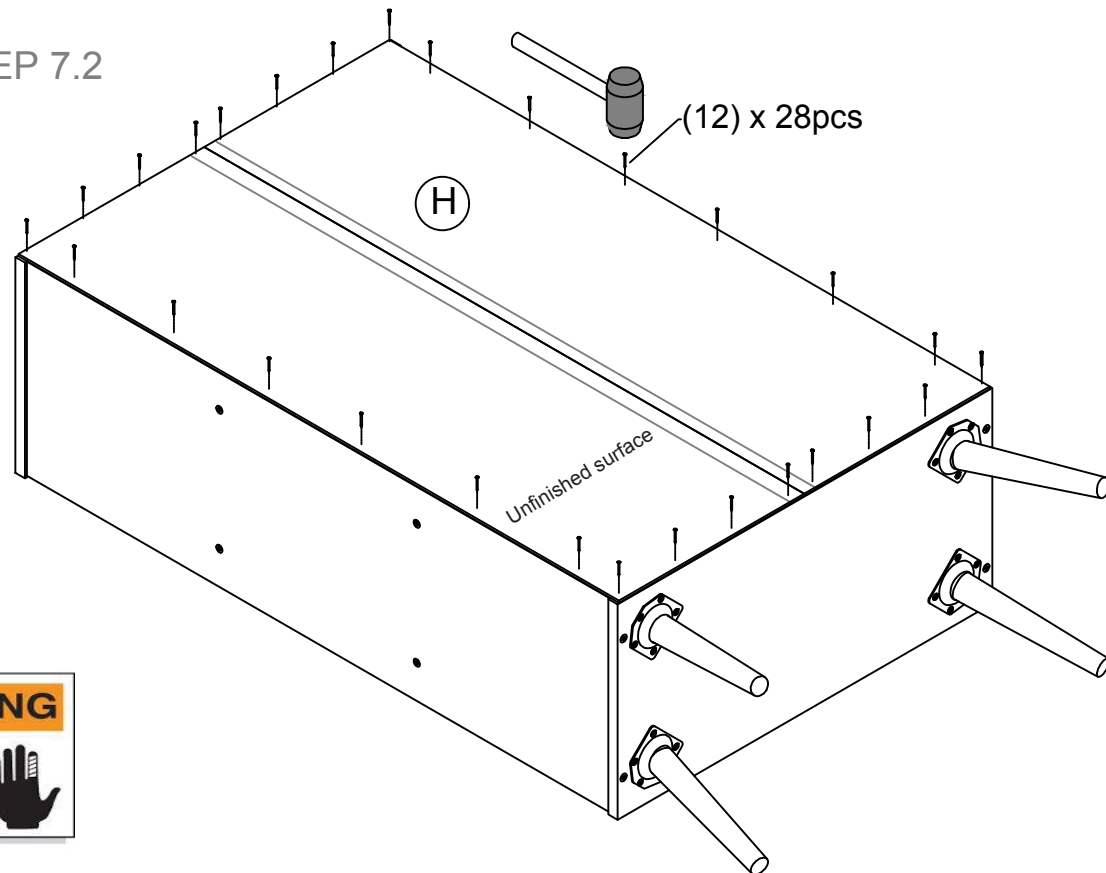


STEP 7

STEP 7.1



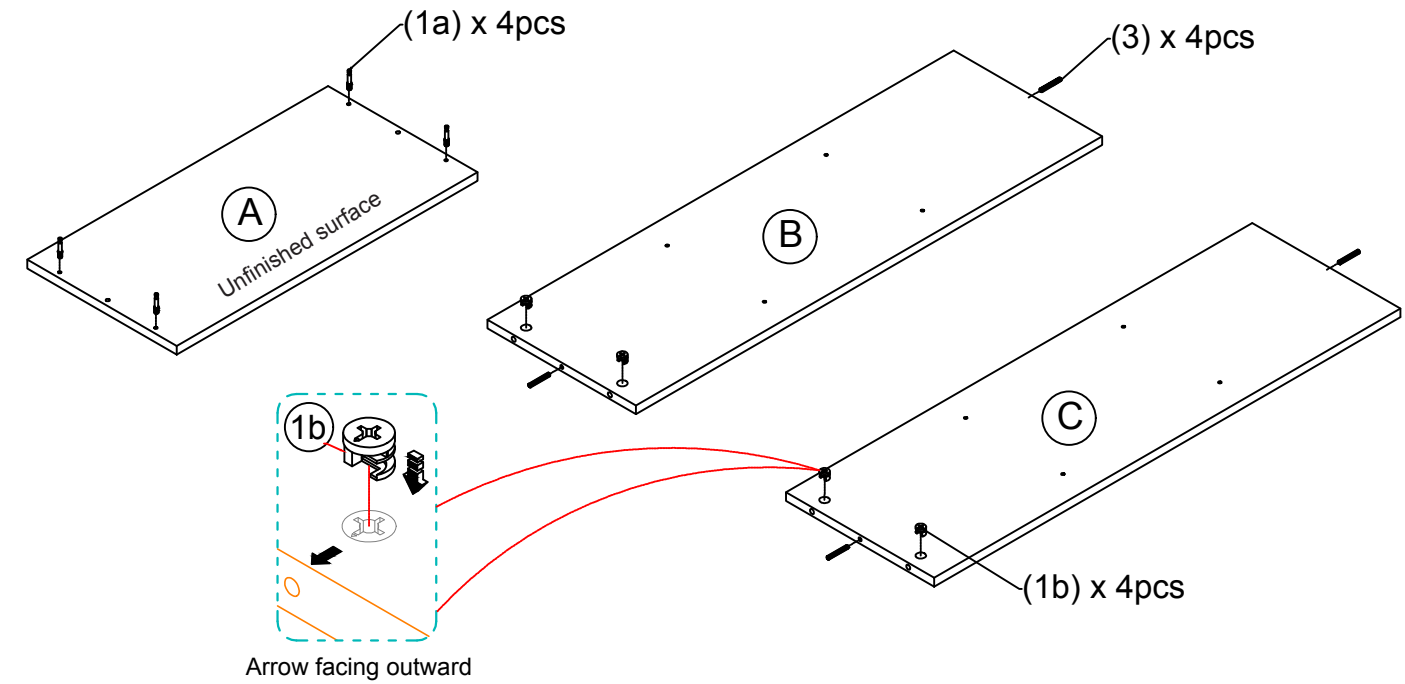
STEP 7.2



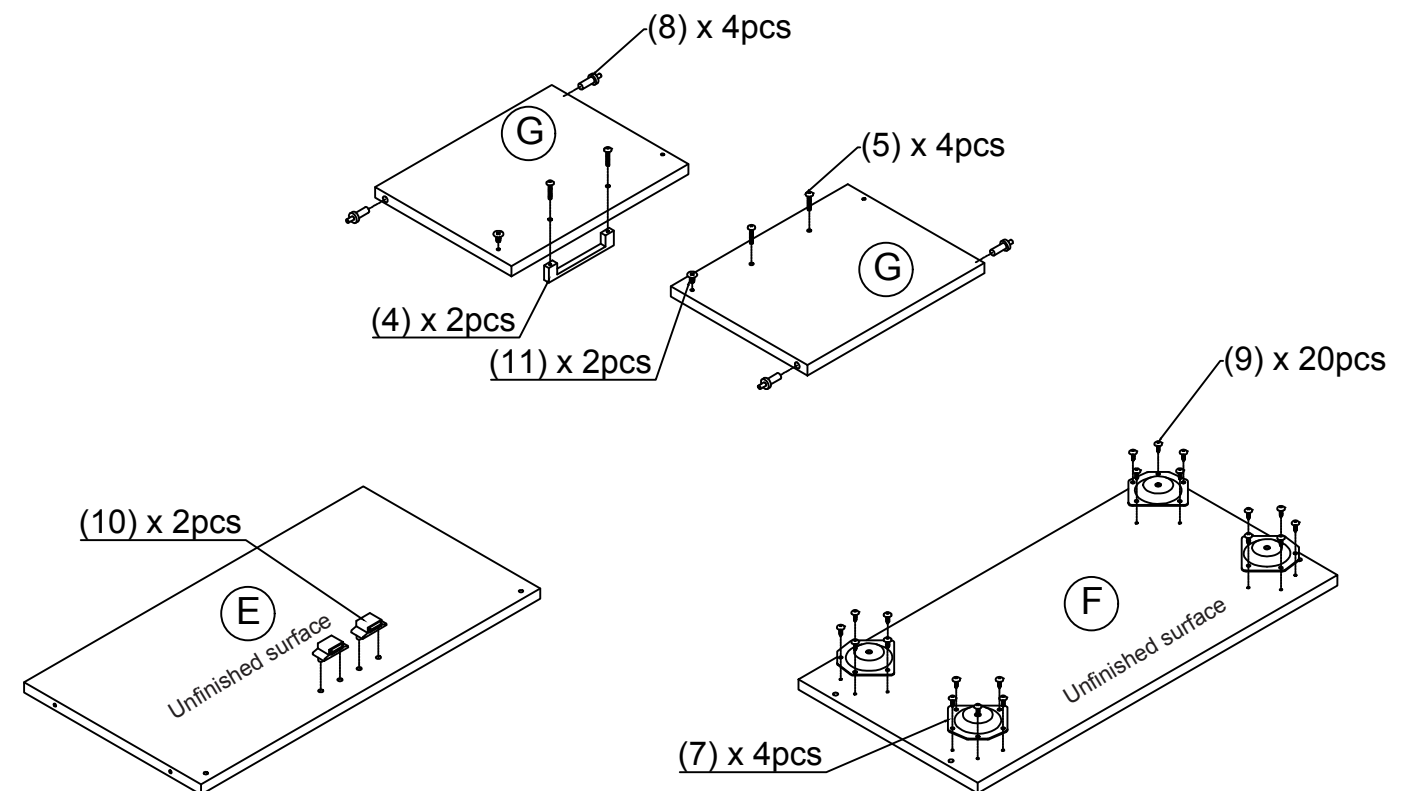
ASSEMBLY INSTRUCTIONS

BEFORE YOU BEGIN, PLEASE READ ASSEMBLY INSTRUCTIONS CAREFULLY, FOLLOW THEM STEP BY STEP.

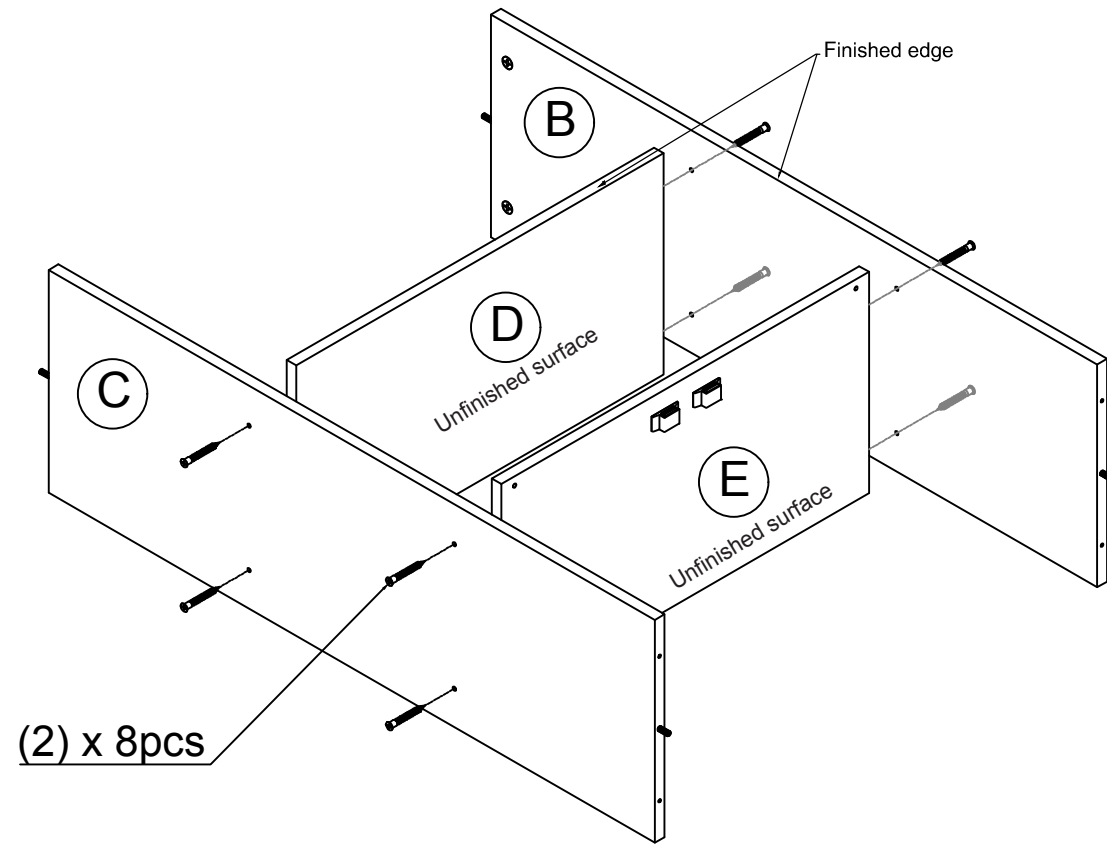
STEP 1



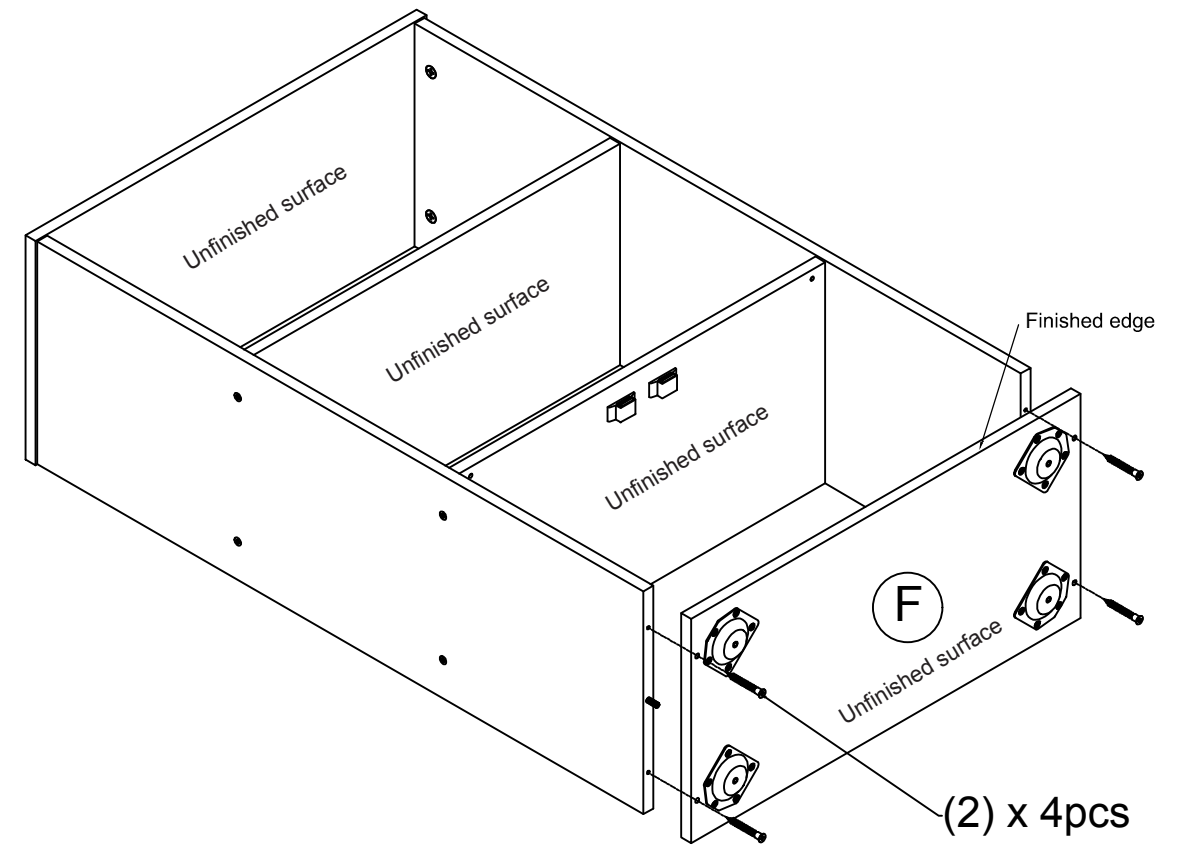
STEP 2



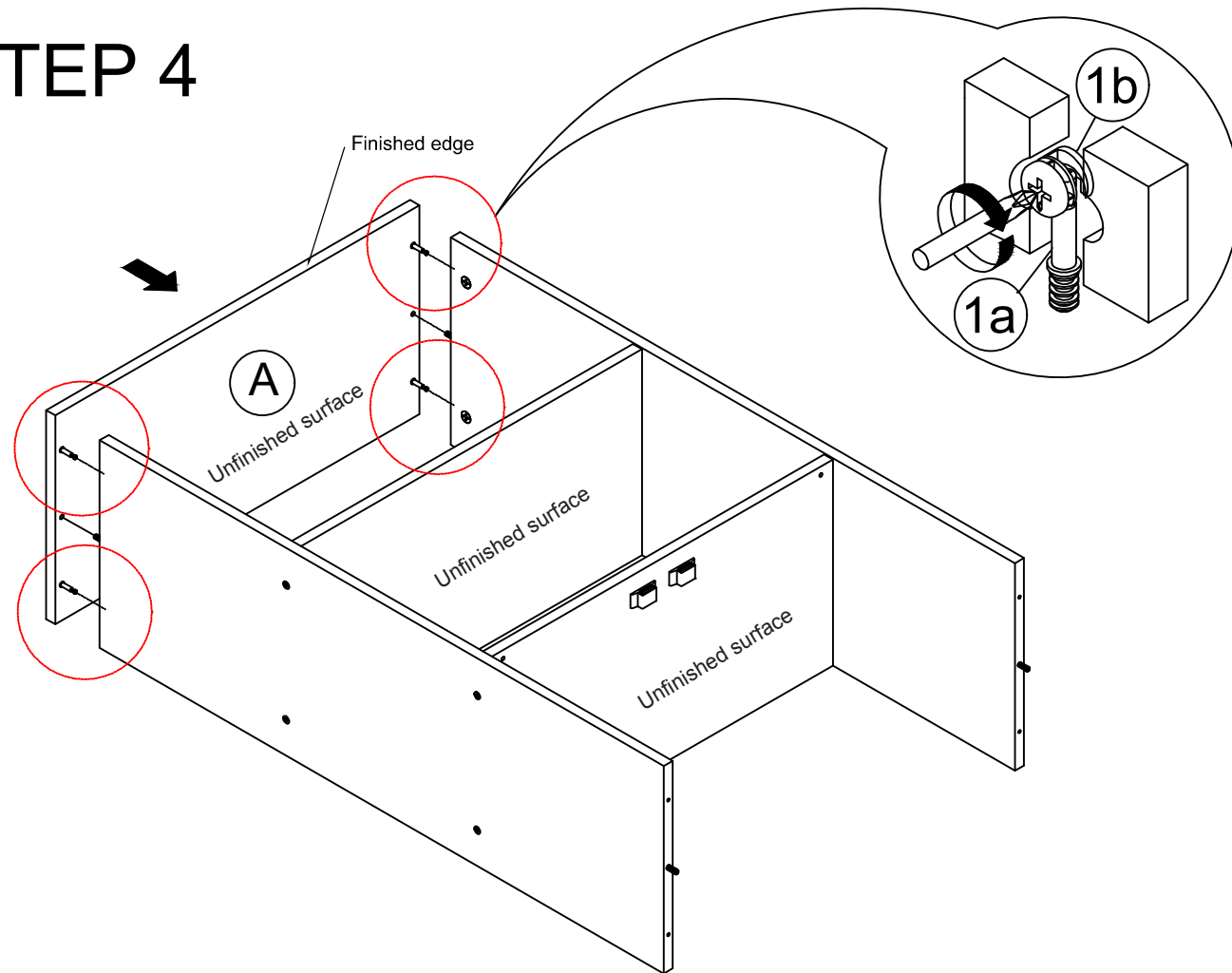
STEP 3



STEP 5



STEP 4



STEP 6

