

LotusLantern APP Manual

1. Software Overview

1.1 Overview

LotusLantern is a mobile APP to control LED strip by both Apple and Android phones.

The traditional control ways like infrared, 433MHz, 2.4GHz and others old wired ways will be replaced by mobile phone control way with convenient, powerful and scalable features.

Through this mobile APP, you can not only control the color, brightness and color temperature of the LED strips but also set up all kinds of fancy flash mode; Also this APP can change the light of the LED strip according to the rhythm of the music. This APP can set and control several LED strips through Bluetooth and the operation is very simple, easy to learn and easy to use.

1.2 Features

- Adjust color LED strips with 60,000 colors to change color and brightness and adjust monochrome LED strips to change brightness and color temperature
- Play music or turn on a sound playback device, you can let the light change the color and brightness with the rhythm of music, the music rhythm beautiful
- Inside multiple setting mode for color change and control LED strips without mobile
- Long distance control with omni-directional antenna, and many-to-many group control mode
- Once the connection is successful, connect automatically next time

1.3 Performance

LotusLantern APP is easy for use as well as great compatible for all kinds of smart phones; After the actual test of hundreds of mobile phones verification, the compatibility is above 95% of mobile phones in the market. APP is small and convenient, it consumes less system resources, so the requirements of the mobile configuration are low. Control delay is small, the operation feel good, light control is smooth with people's visual sense.

2. Operating Environment

This APP program requires phones of system above Android 4.3 and iOS 8.0. Mobile phone configuration is not limited.

3. Instructions

Note: Android version and iOS version download and use the same method, here in the Android version as an example.

3.1 APP Download

Scan the QR code

iOS and Android systems can download the "LotusLantern" APP by scanning the QR code. Open the browser or other tools with "Scan QR code" function, scan the "LotusLantern" QR code as below:

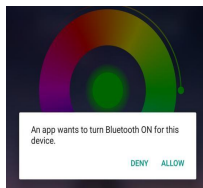


3.2 App Operation

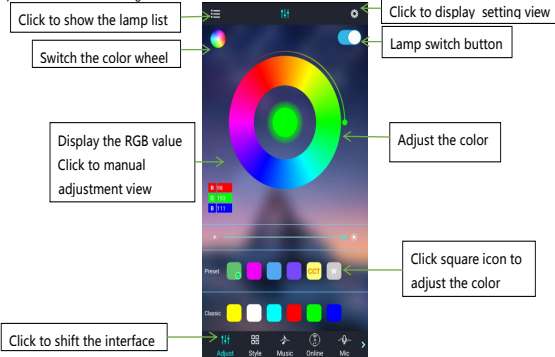
(1) Click on the LotusLantern APP icon, enter the APP page:



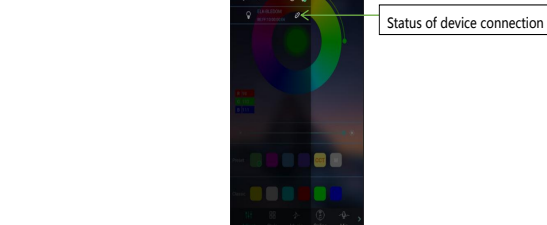
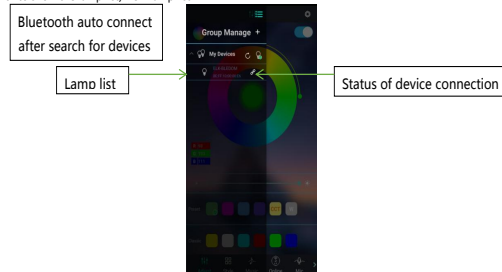
(2) After entering the APP interface, if Bluetooth is not enabled, "an application wants to enable the Bluetooth function of this device." Click [Allow]



(3) switch to color and brightness interface:



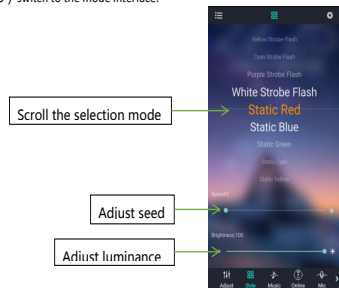
(4) click to show the lamp list, view lamp list:



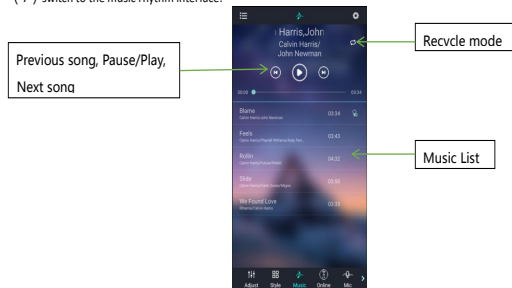
(5) Click to RGB manual adjustment view:



(6) switch to the mode interface:



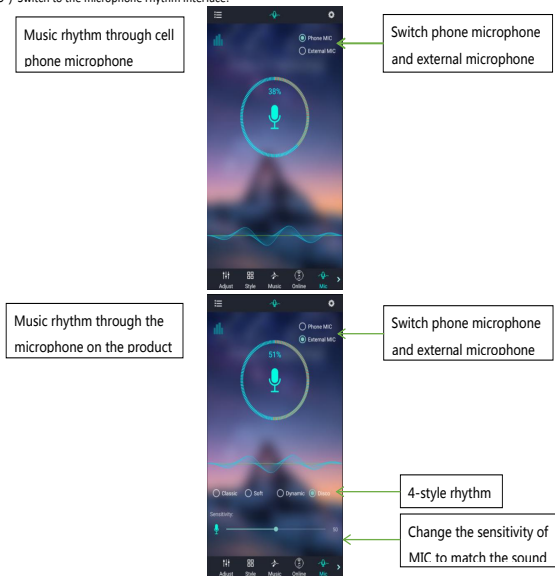
(7) switch to the music rhythm interface:



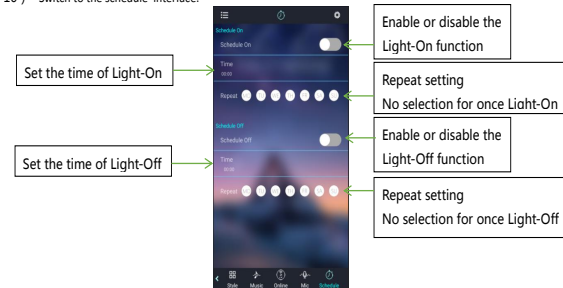
(8) Switch to the online music interface:



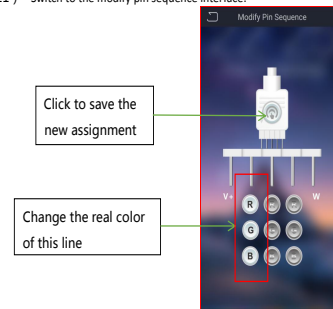
(9) Switch to the microphone rhythm interface:



(10) Switch to the schedule interface:

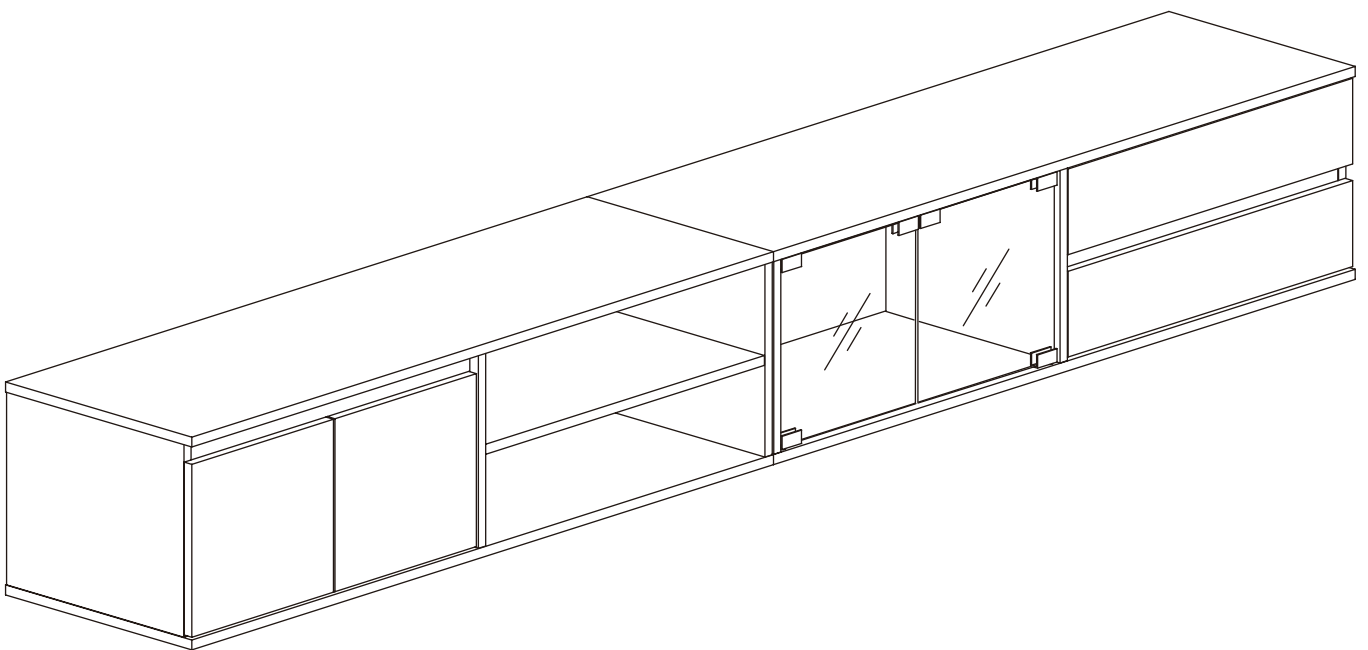


(11) Switch to the modify pin sequence interface:



TV Cabinet

Assembly Instructions - Please keep for future reference



Dimensions

Width-94.5inch

Depth-14.6inch

Height-12.6inch

Important – Please read these instructions fully before starting assembly



Safety and Care Advice

Important – Please read these instructions fully before starting assembly

- Check you have all the components and tools listed on the following pages.
- Remove all fittings from the plastic bags and separate them into their groups.
- Keep children and animals away from the work area, small parts could choke if swallowed.
- Make sure you have enough space to layout the parts before starting.

- During assembly do not stand or put weight on the product, this could cause damage.
- Assemble the item as close to its final position (in the same room) as possible.
- Assemble on a soft level surface to avoid damaging the unit or your floor.
- Parts of the assembly will be easier with 2 people.



- To reduce the likelihood of damaging your product please ensure that your power drill is set on a low torque setting.

Care and maintenance

- Only clean using a damp cloth and mild detergent, do not use bleach or abrasive cleaners.
- From time to time check that there are no loose screws on this unit.
- This product should not be discarded with household waste. Take to your local authority waste disposal centre.

Handy Hints

- Assemble all parts and bolts loosely during assembly, only once the product is complete should you fully tighten the bolts
- Regularly check and ensure That all bolts and fittings are tightend properly.

WARNING In order to help prevent overturning – please follow these instructions

To help prevent product toppling over please follow the below steps:-

- Use the anti tip stap or wall fixing method provided (if applicable)
- Do not allow children to climb or hang on the furniture
- Do not open more than one drawer at a time
- Do not place heavy items in the top drawers
- Do not place heavy items on top of the furniture, unless the furniture has been designed for this purpose

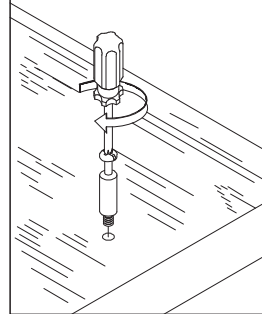
Using Camlocks

Step 1

Connect the male camlock as directed in the assembly instructions using a screwdriver.

1

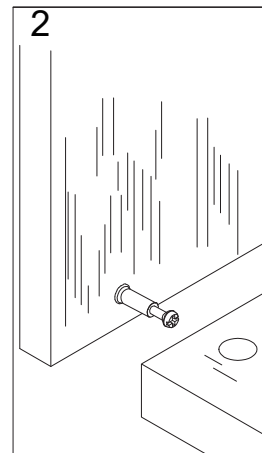
DO NOT OVER TIGHTEN.
NE PAS SERRER EXCESSIVEMENT.



Step 2

Push the male camlock into the entry hole.

2

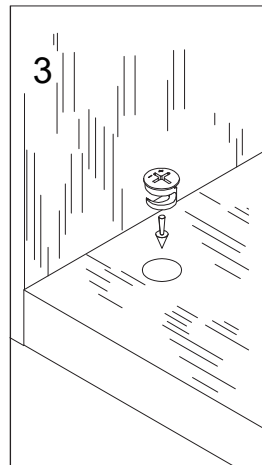


Step 3

Insert the female camlock as shown in the instruction.

Note: ensure that the arrow on the top of the camlock points towards the entry hole for the male camlock.

3



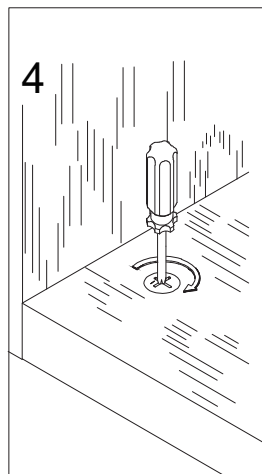
Step 4

Turn the female camlock clockwise with a screwdriver.

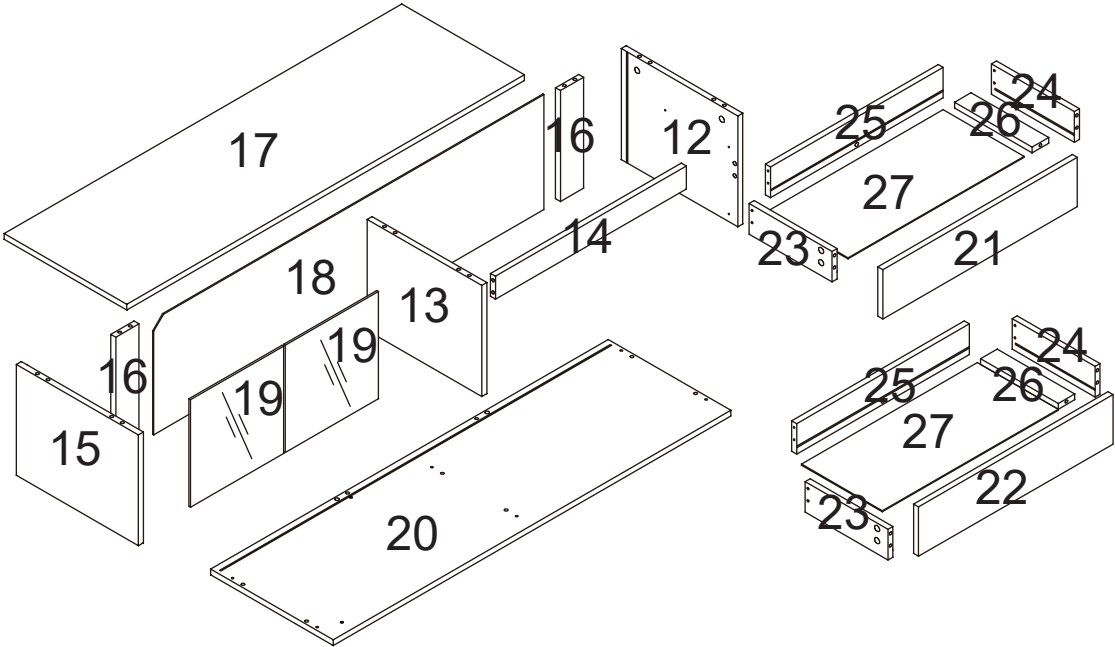
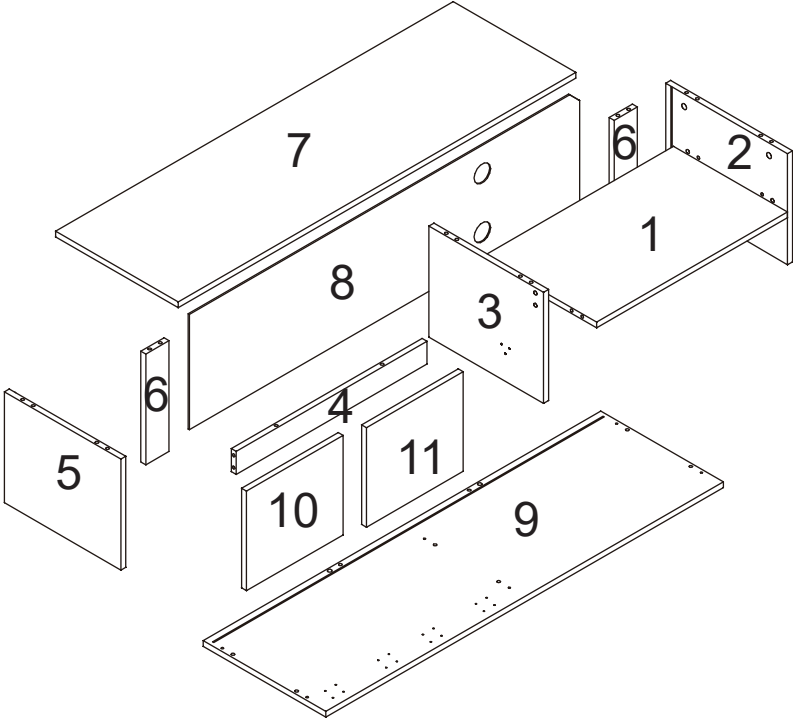
You should feel a click when the camlock is locked in place.

The joint is now secure.

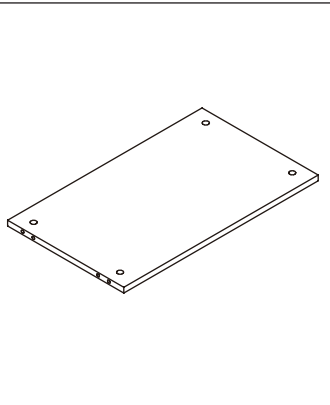
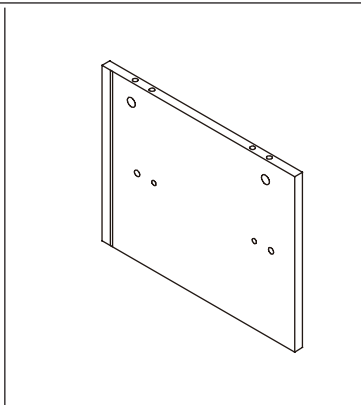
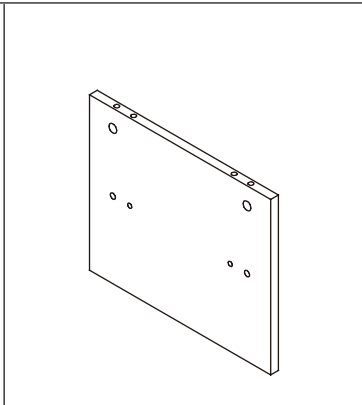
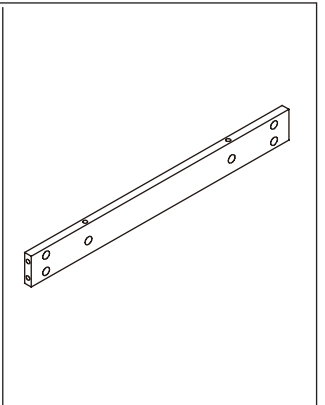
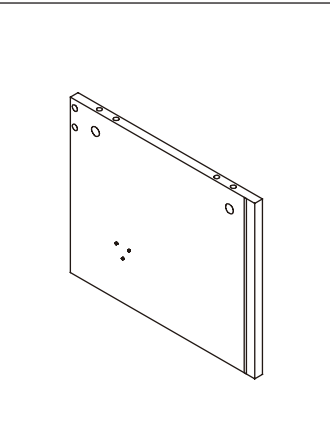
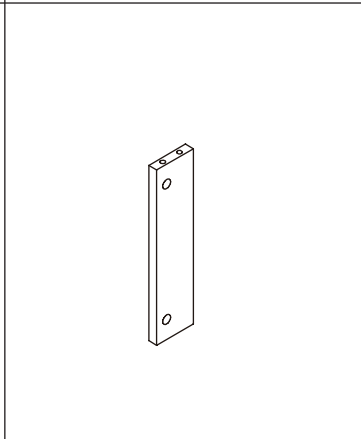
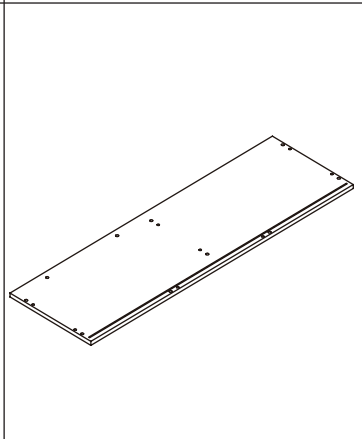
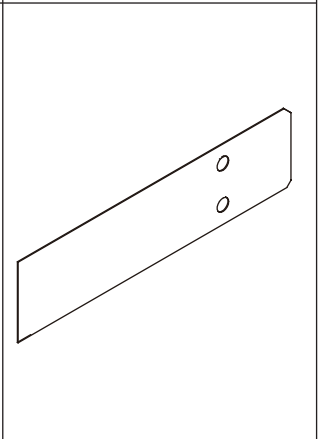
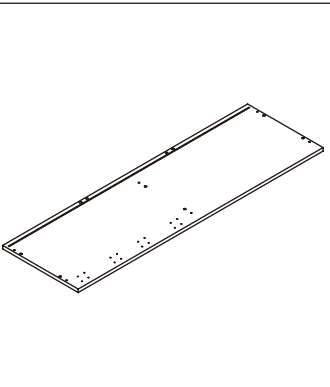
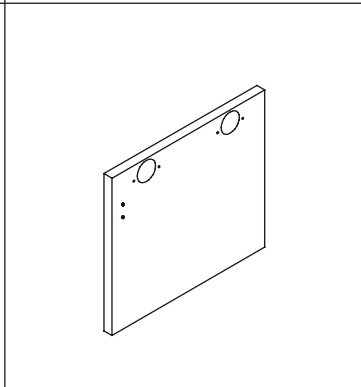
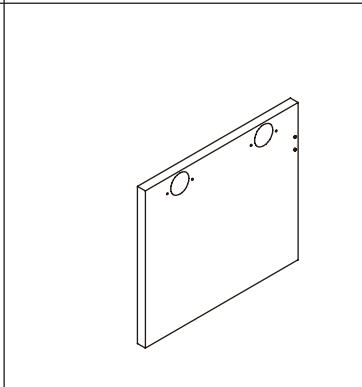
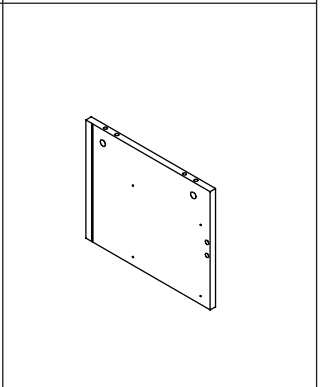
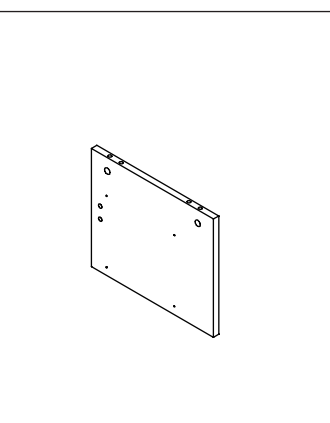
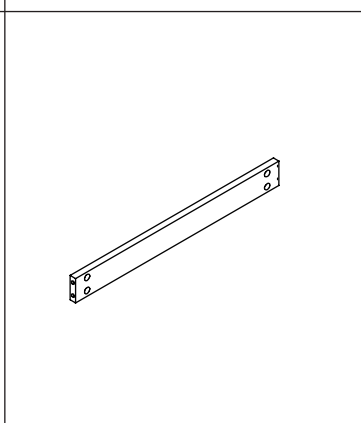
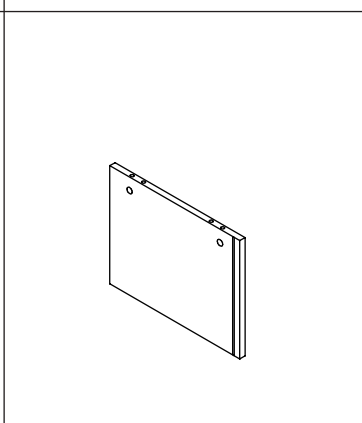
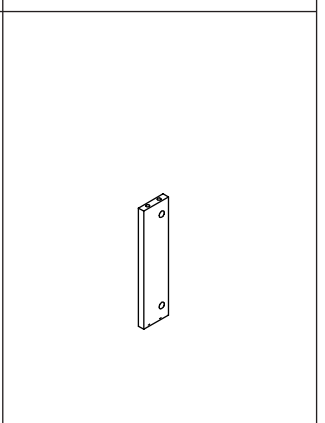
4



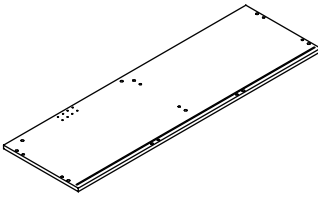
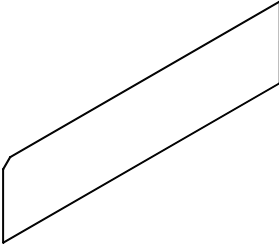
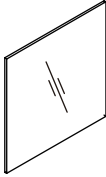
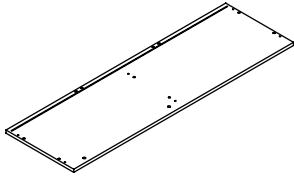
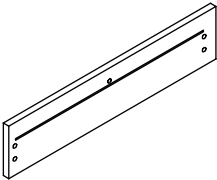
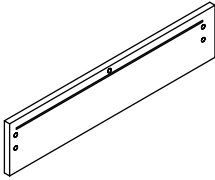
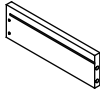
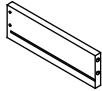
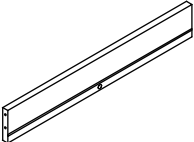
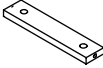
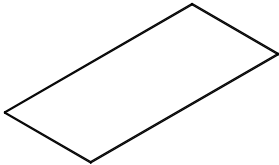
Assembly Instructions



Assembly Instructions

			
① x 1	② x 1	③ x 1	④ x 1
			
⑤ x 1	⑥ x 2	⑦ x 1	⑧ x 1
			
⑨ x 1	⑩ x 1	⑪ x 1	⑫ x 1
			
⑬ x 1	⑭ x 1	⑮ x 1	⑯ x 2

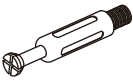

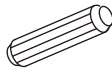

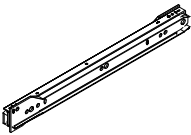
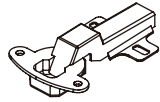

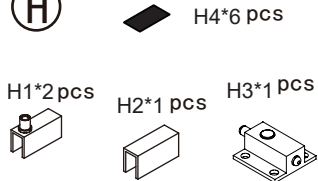





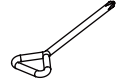
Assembly Instructions

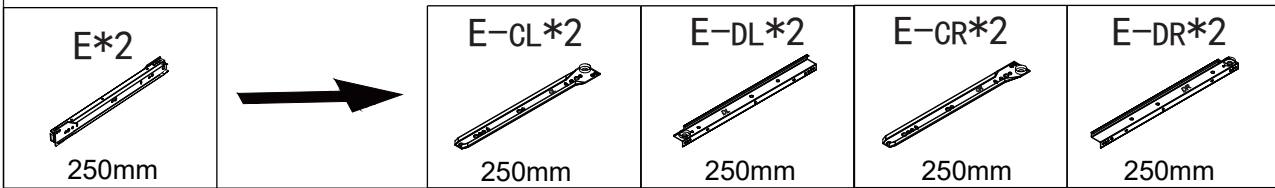
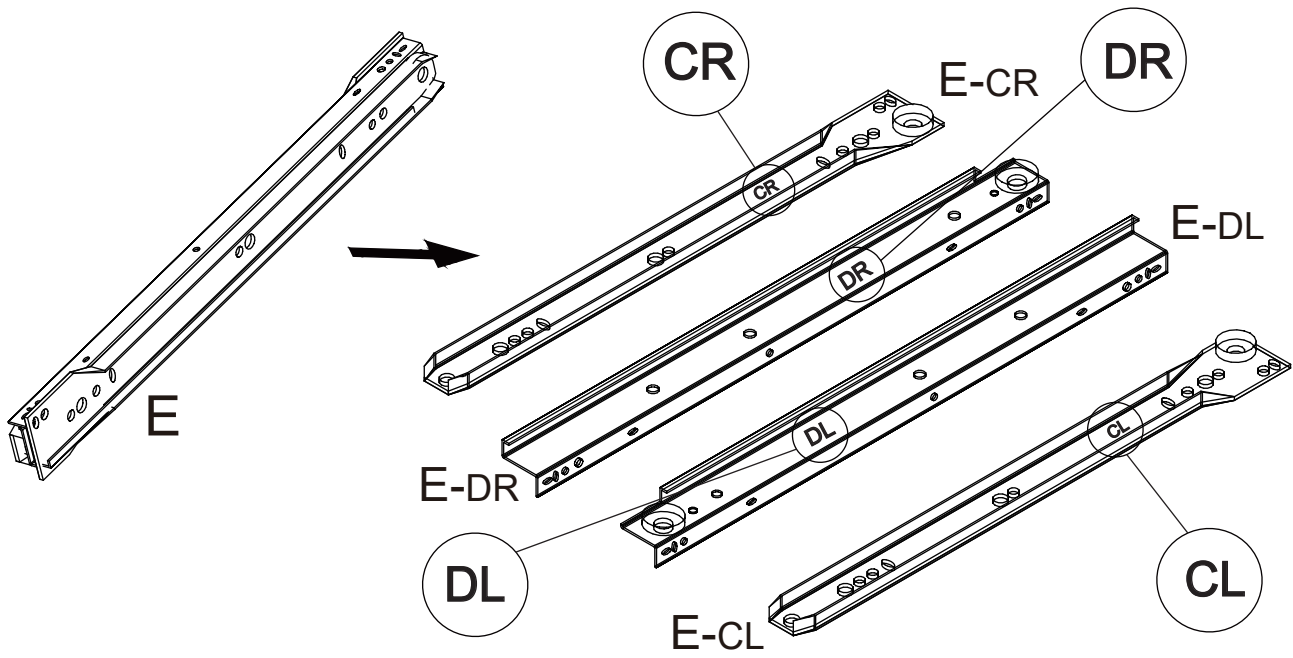
			
①7 x 1	①8 x 1	①9 x 2	②0 x 1
			
②1 x 1	②2 x 1	②3 x 2	②4 x 2
			
②5 x 2	②6 x 2	②7 x 2	

Components-Fittings

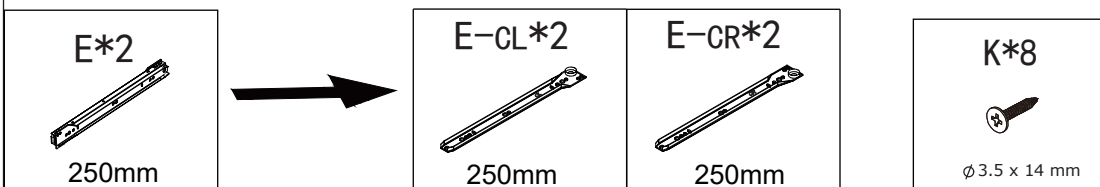
Please check you have all the panels listed below

Note: The quantities below are the correct amount to complete the assembly. In some cases more fittings may be supplied than are required.

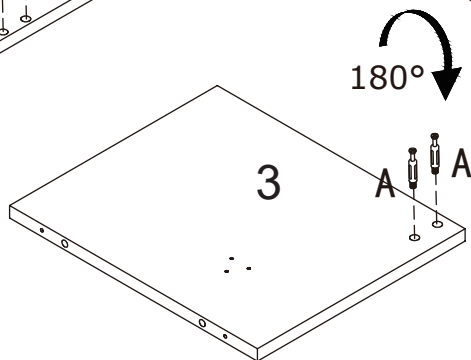
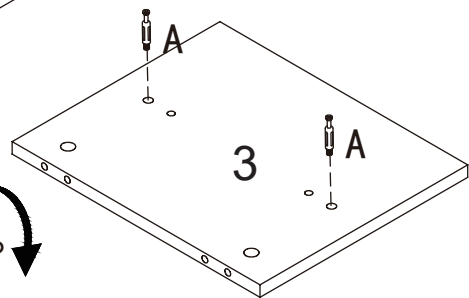
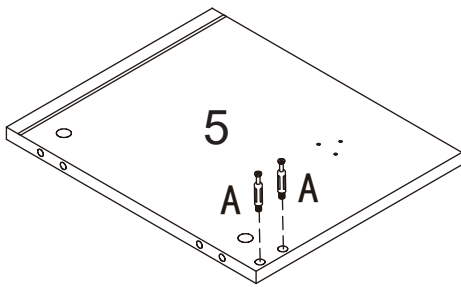
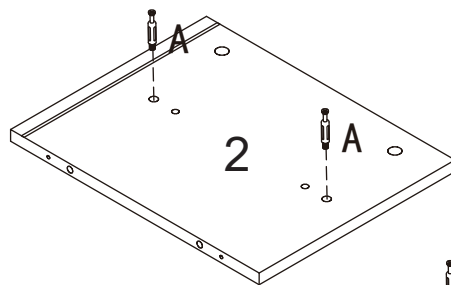
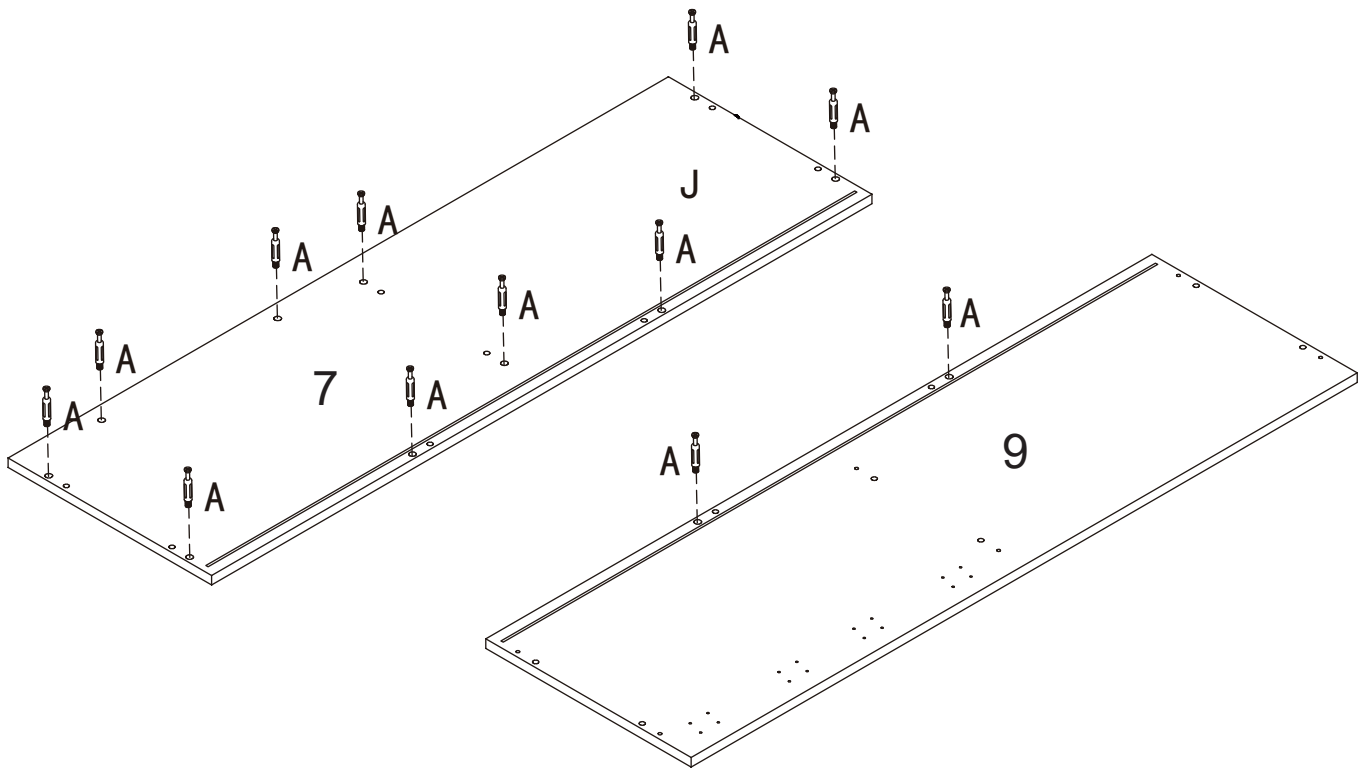
<p>(A)</p>  <p>Cam Bolt x 46+3</p>	<p>(B)</p>  <p>Cam Lock x 46+3</p>	<p>(C)</p>  <p>8*30mm Dowel x 36+2</p>	<p>(D)</p>  <p>5*40mm Screw x 20+2</p>
<p>(E)</p>  <p>250mm Drawer slide x 2</p>	<p>(F)</p>  <p>Hinge x 4</p>	<p>(G)</p>  <p>Flip door lever x 2</p>	<p>(H)</p>  <p>H4*6 pcs H1*2 pcs H2*1 pcs H3*1 pcs Rebound device x 2 set</p>
<p>(J)</p>  <p>Light belt x 1</p>	<p>(K)</p>  <p>3.5*14mm Screw x 58+3</p>	<p>(L)</p>  <p>felt x 12+2</p>	<p>(M)</p>  <p>Perfect sticker x 18+2</p>
<p>(N)</p>  <p>Back panel buckle x 16+2</p>	<p>(P)</p>  <p>Screwdriver x 1</p>		



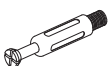
1.



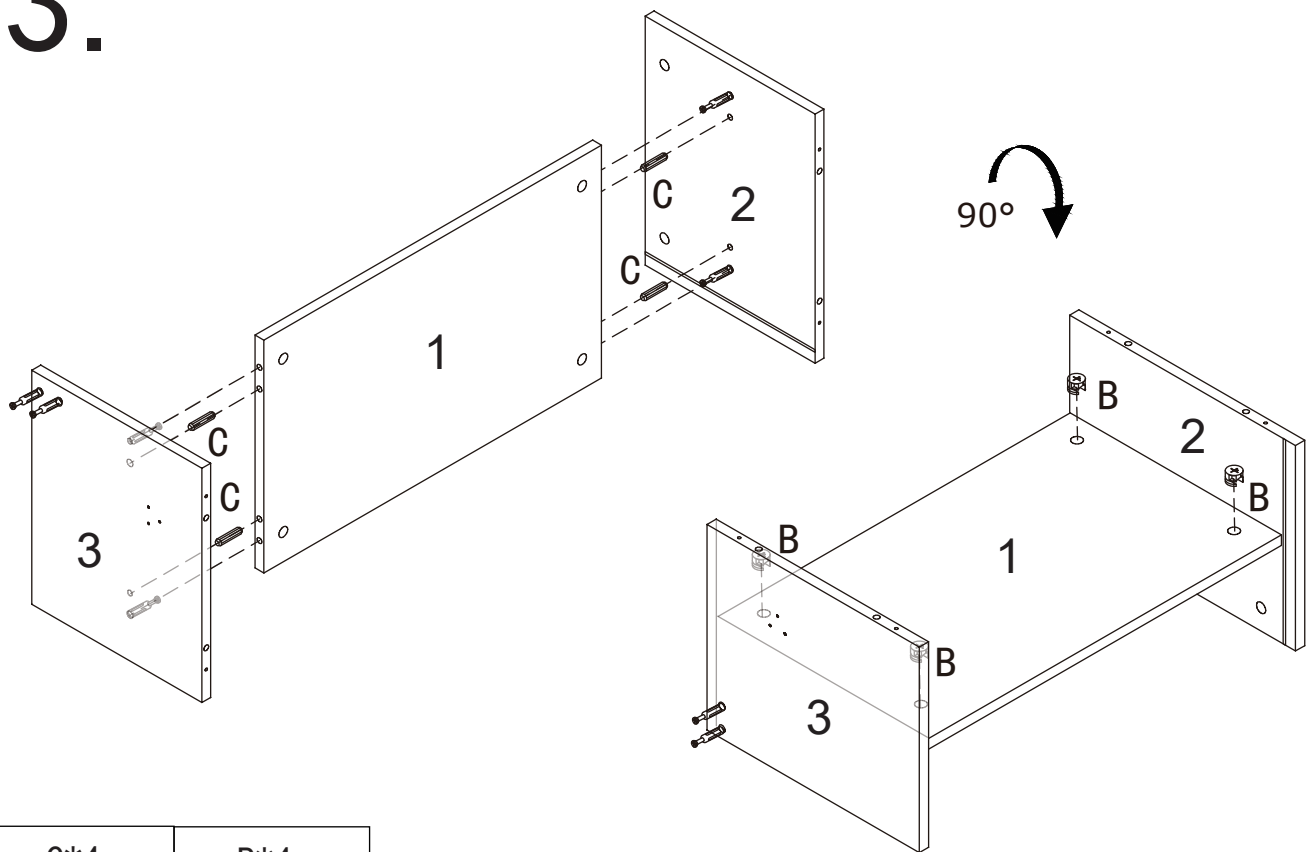
2.



A*20



3.



C*4

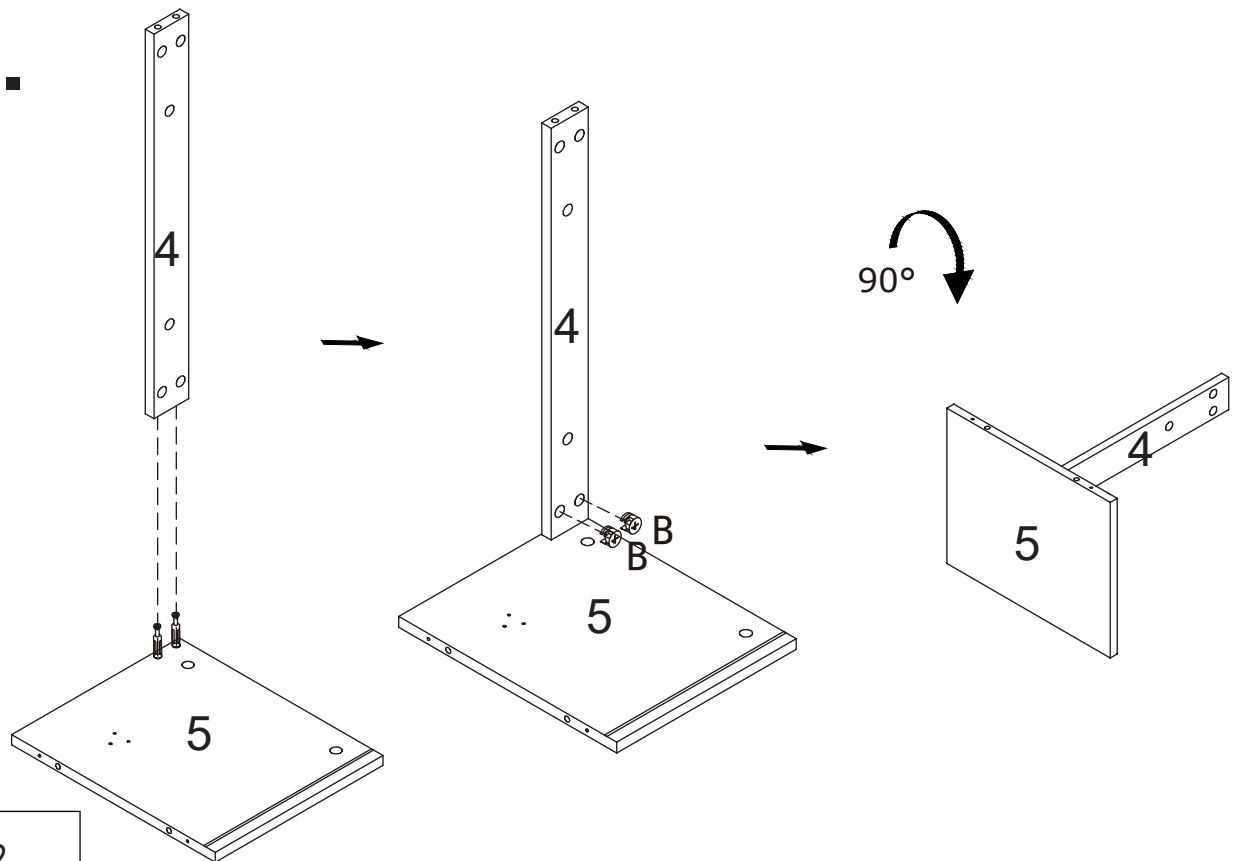


Ø 8 x 30 mm

B*4



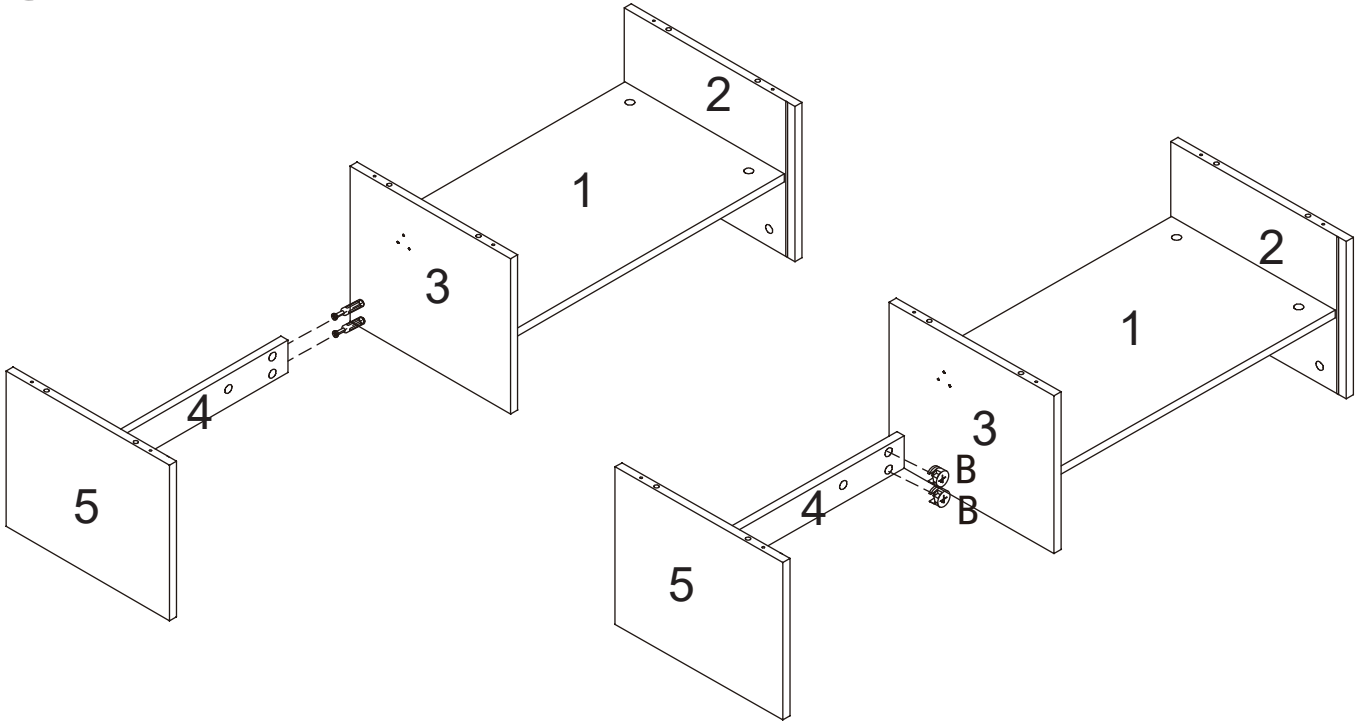
4.



B*2



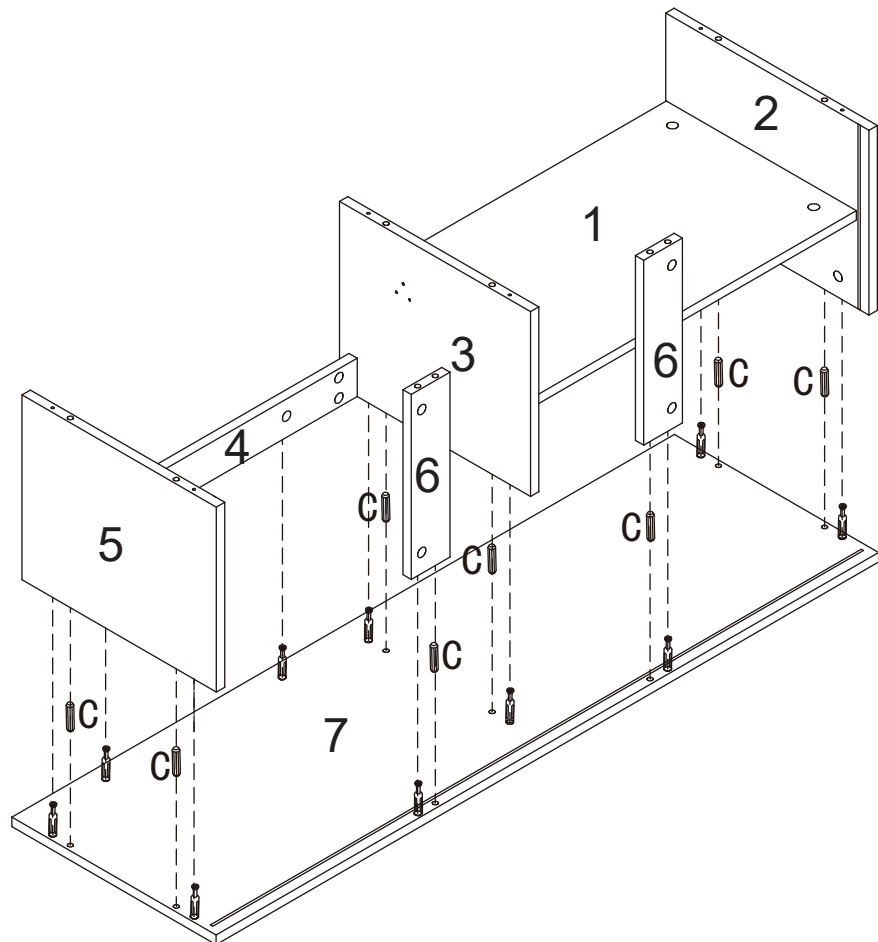
5.



B*2



6.

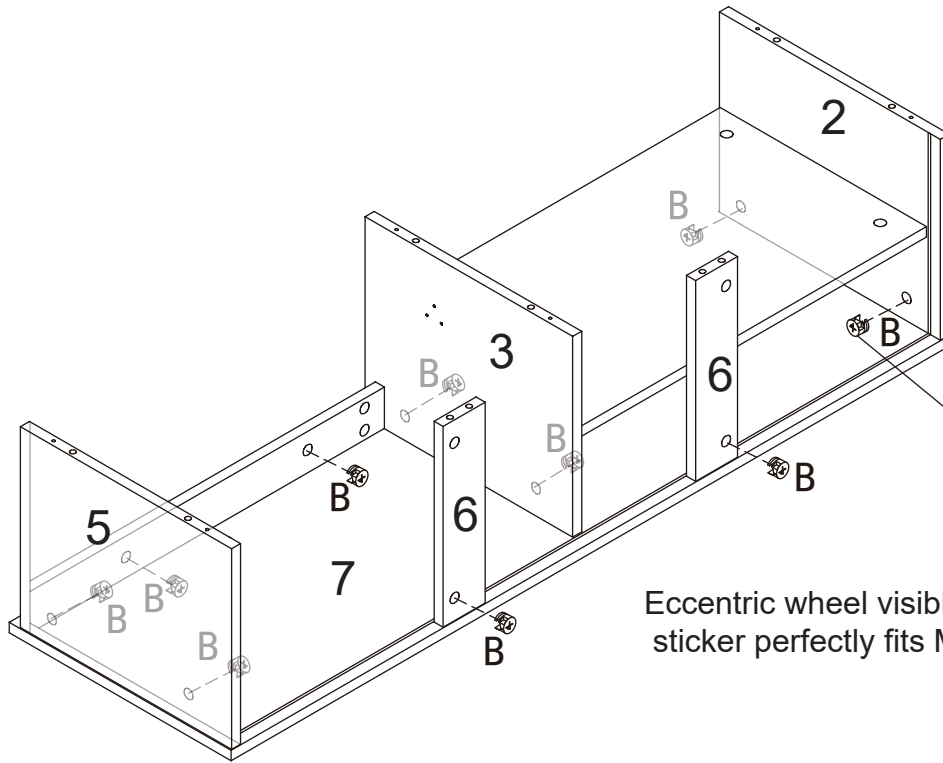


C*8



∅8 x 30 mm

7.

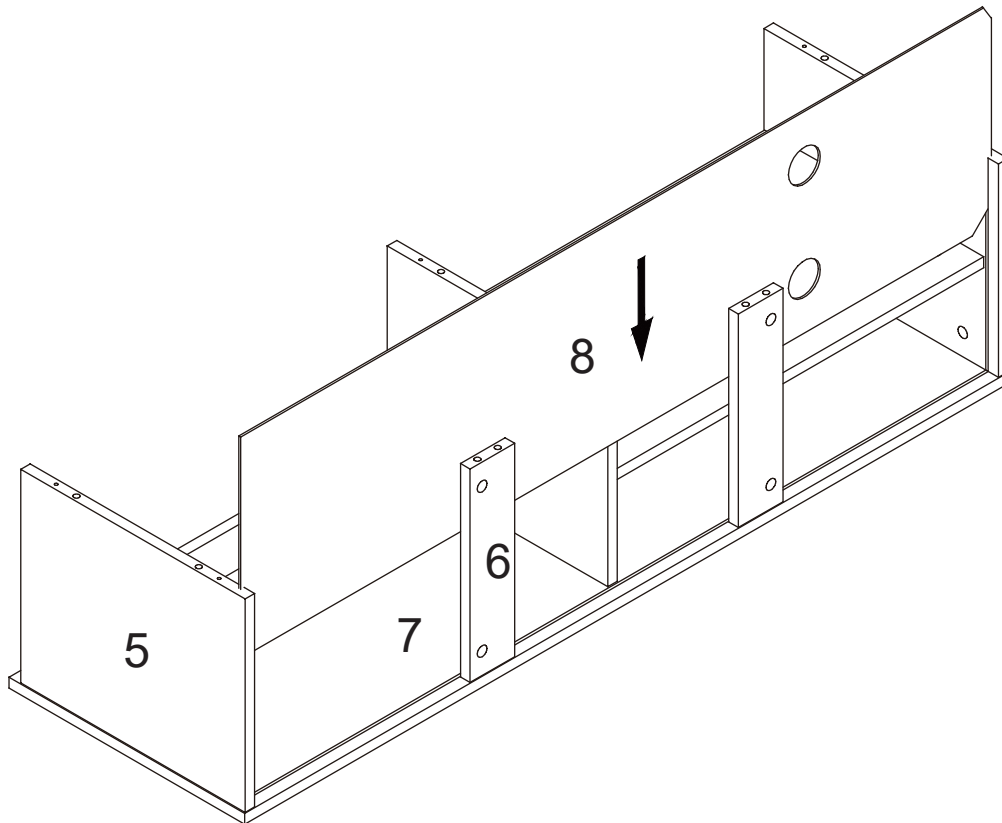


B*10

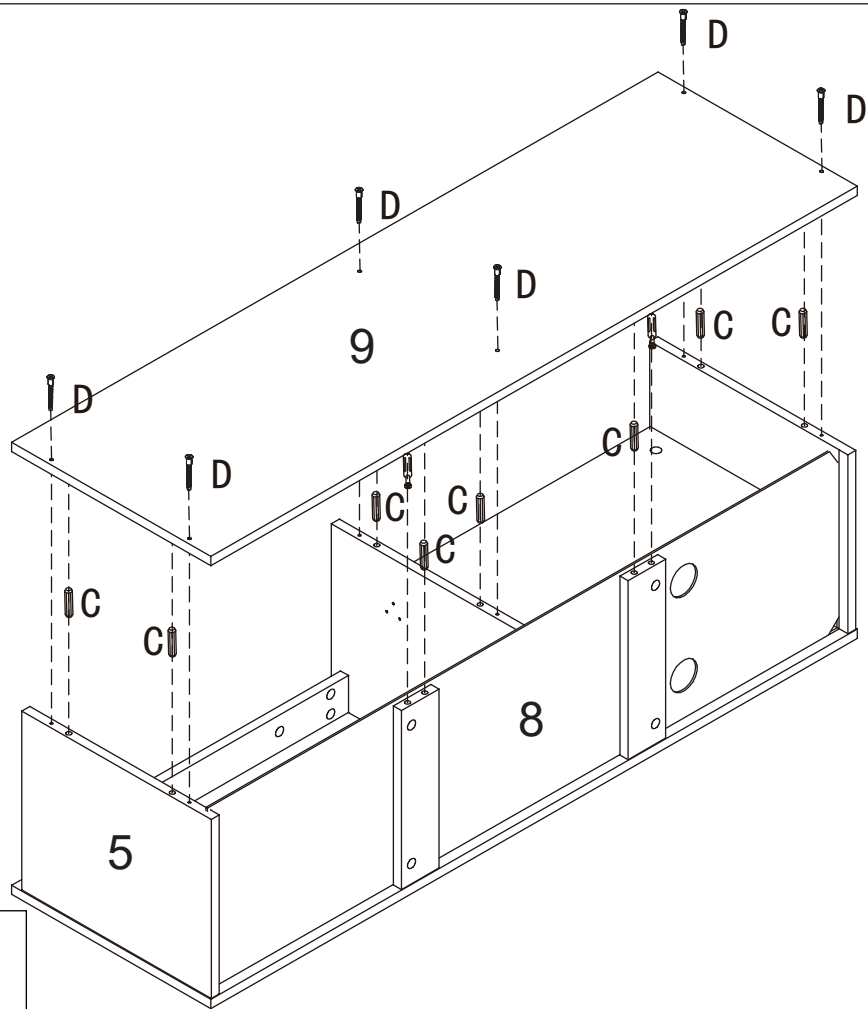
M*10



8.



9.



D*6



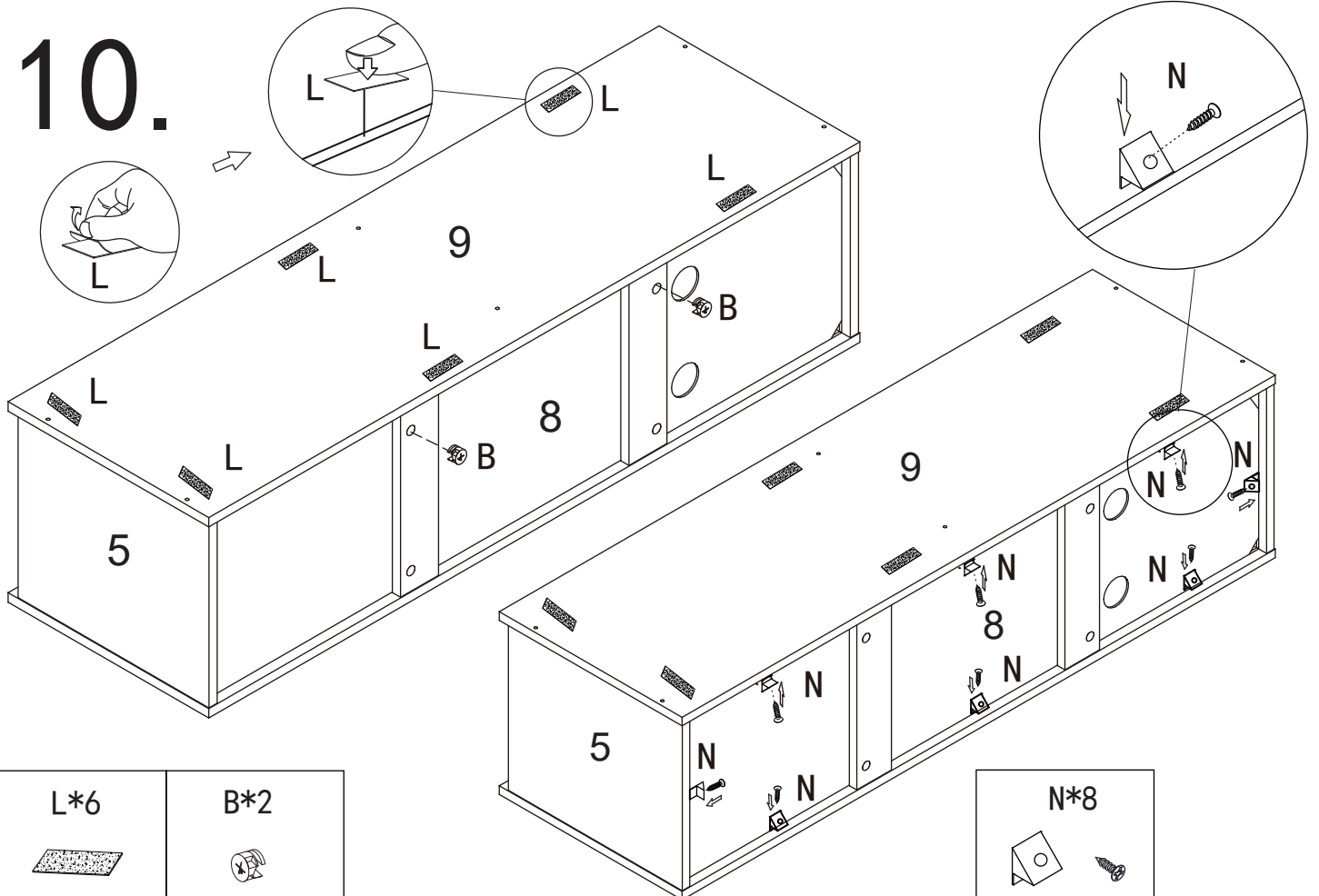
Ø 5 x 40 mm

C*8



Ø 8 x 30 mm

10.



L*6



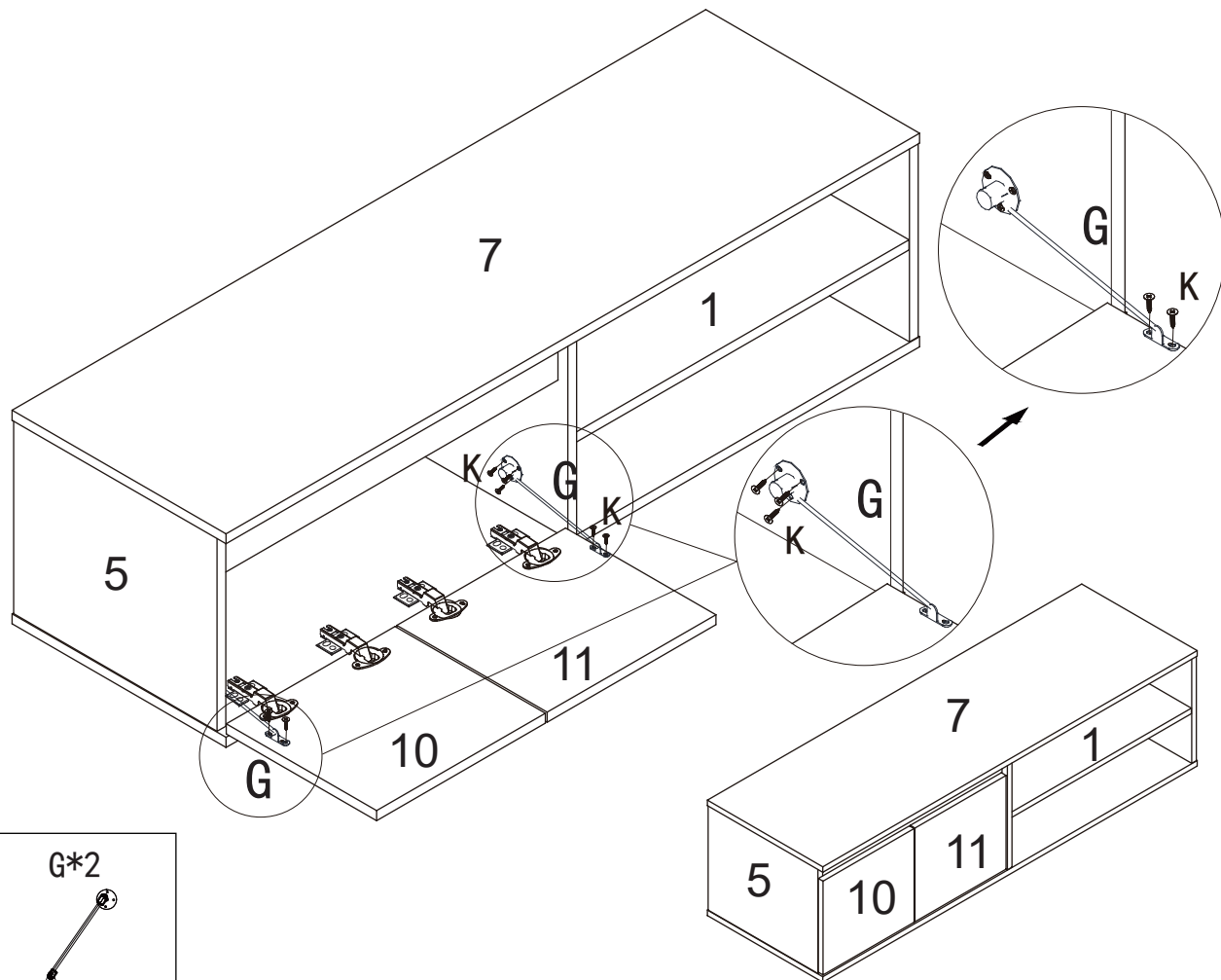
B*2



N*8



13.



K*10

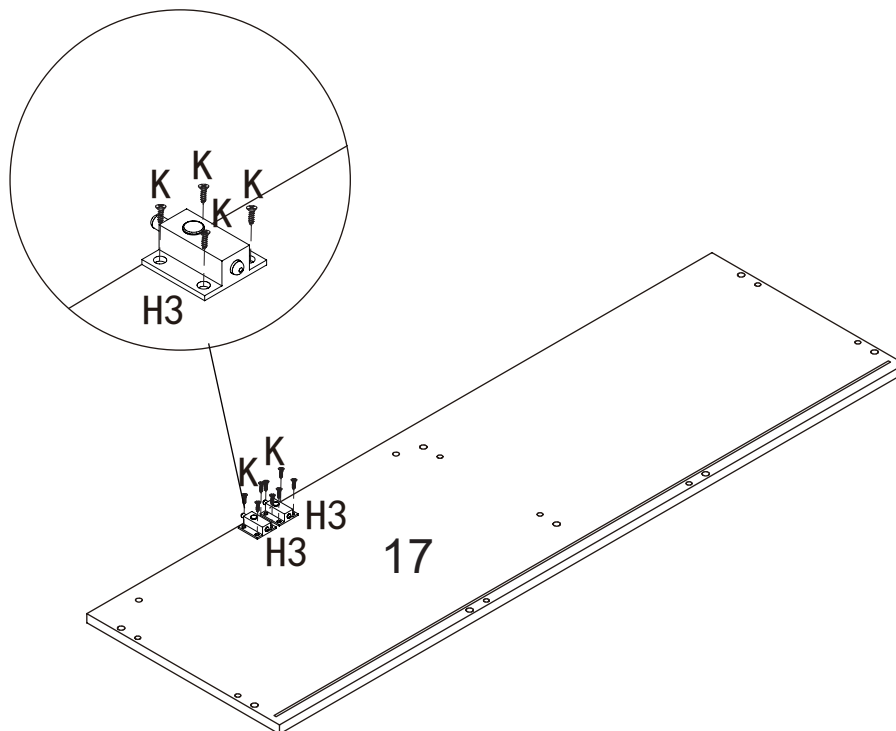


Ø 3.5 x 14 mm

G*2



14.



H-H3*2

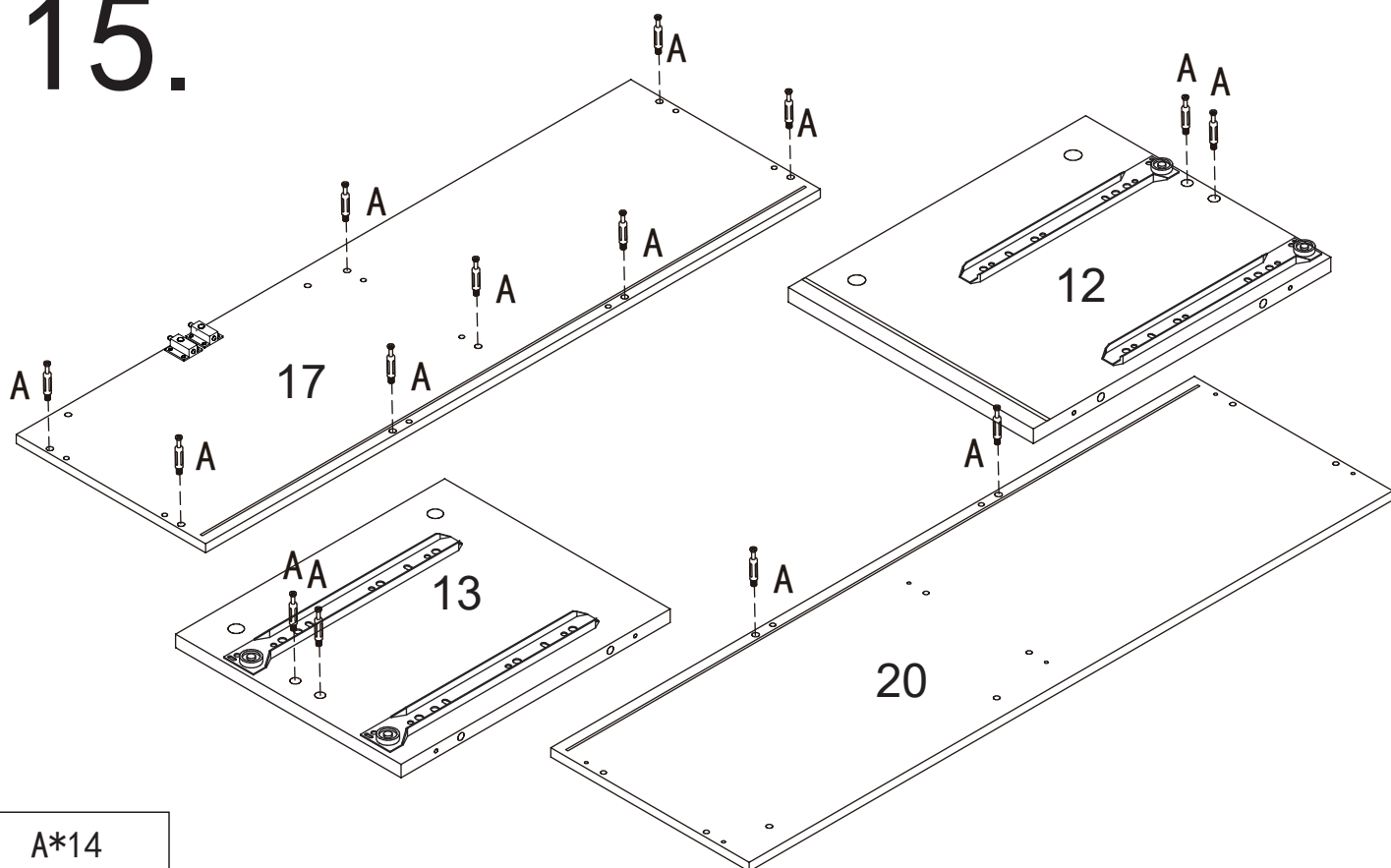


K*8

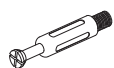


Ø 3.5 x 14 mm

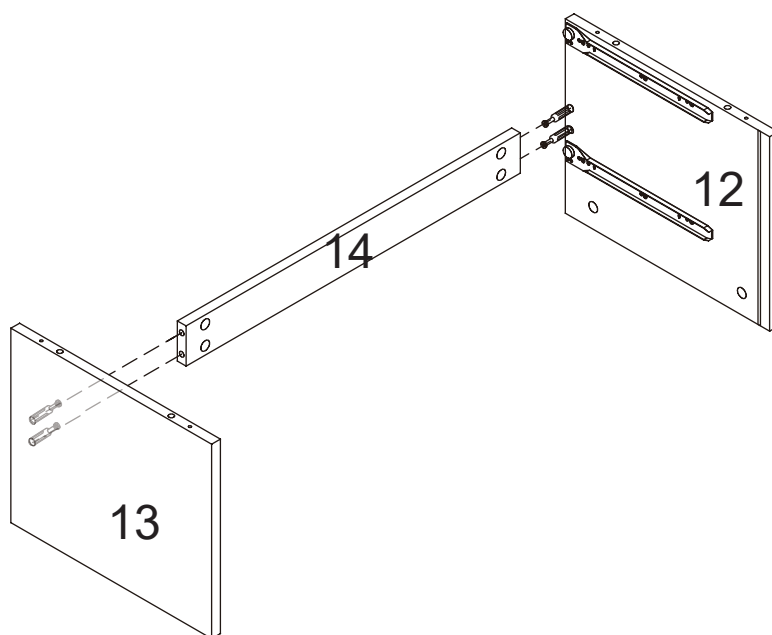
15.



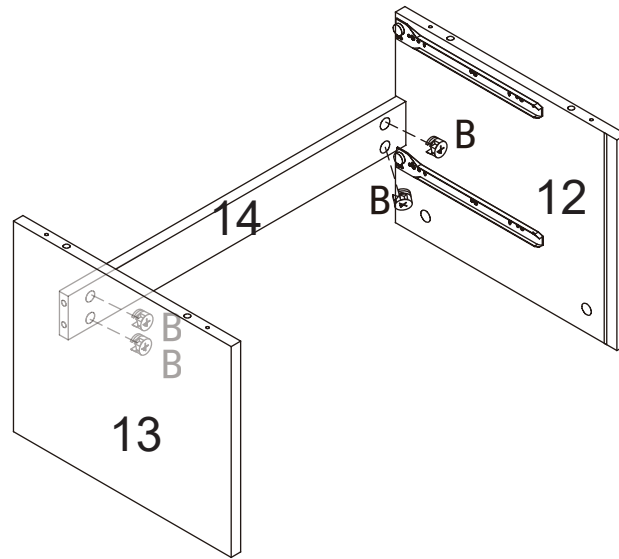
A*14



16.



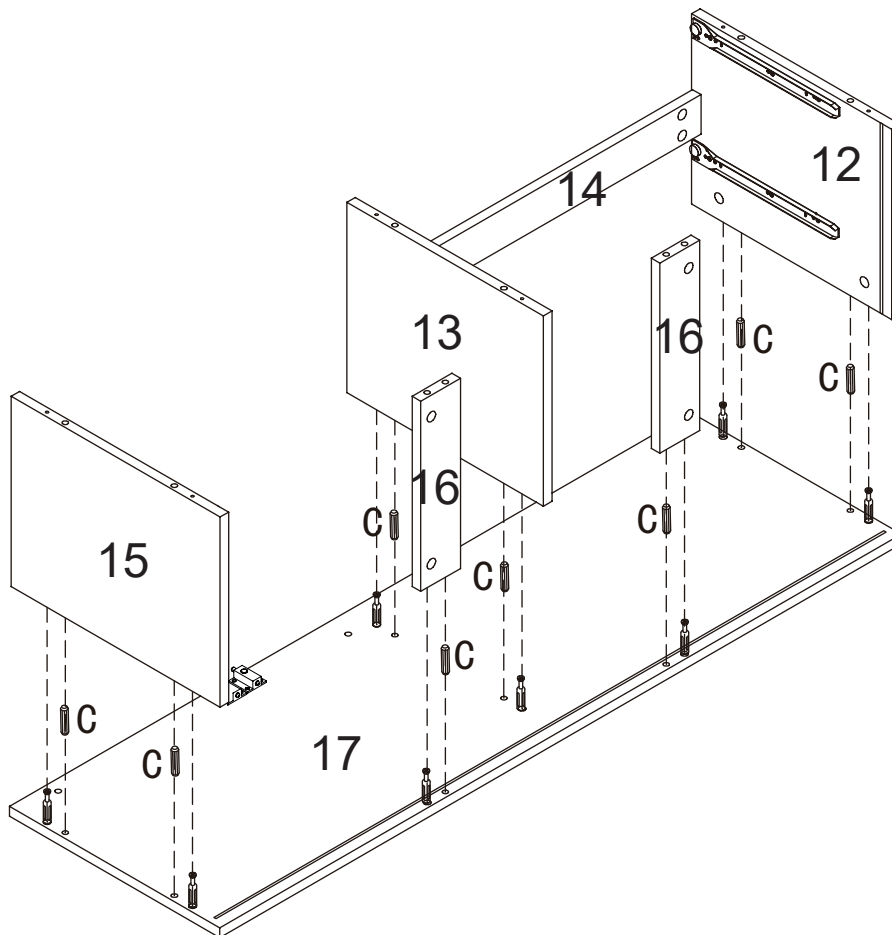
17.



B*4



18.

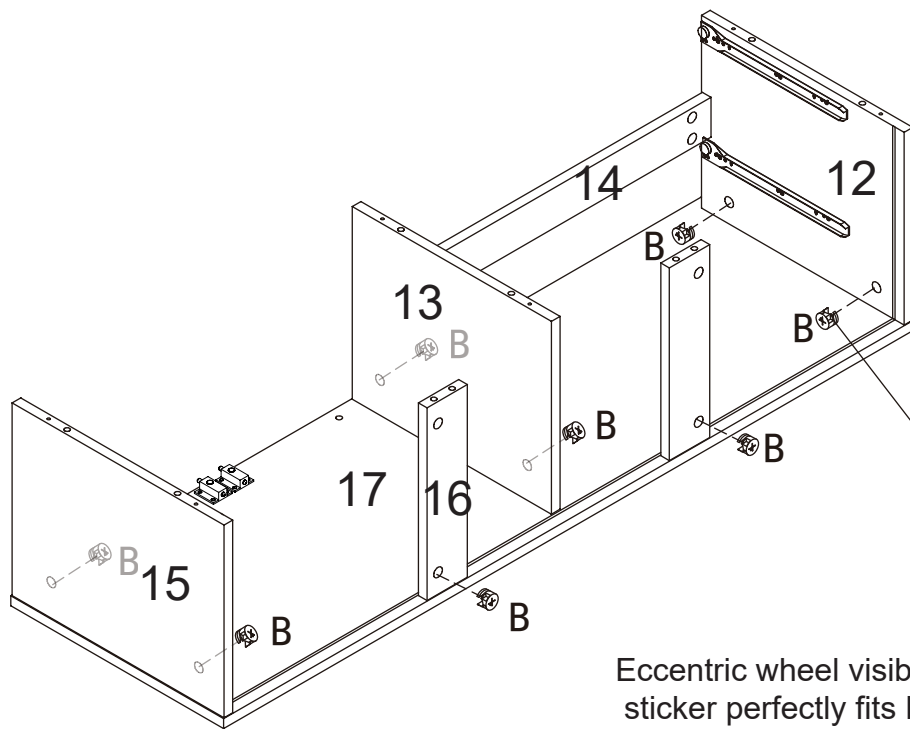


C*8



∅8 x 30 mm

19.



Eccentric wheel visible hole sticker perfectly fits M

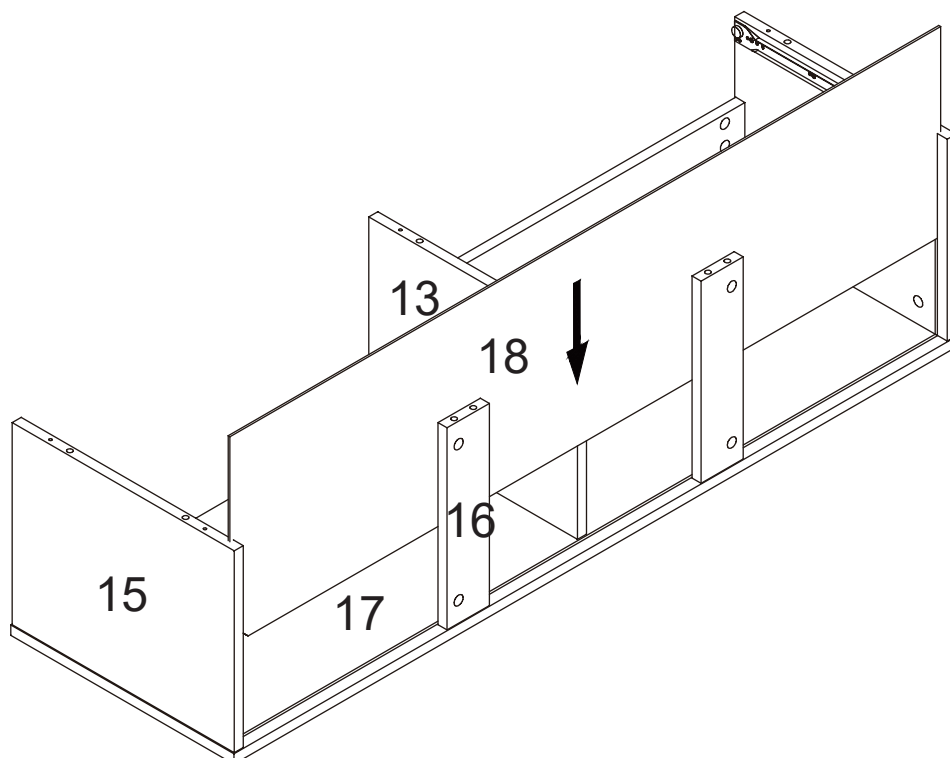
B*8



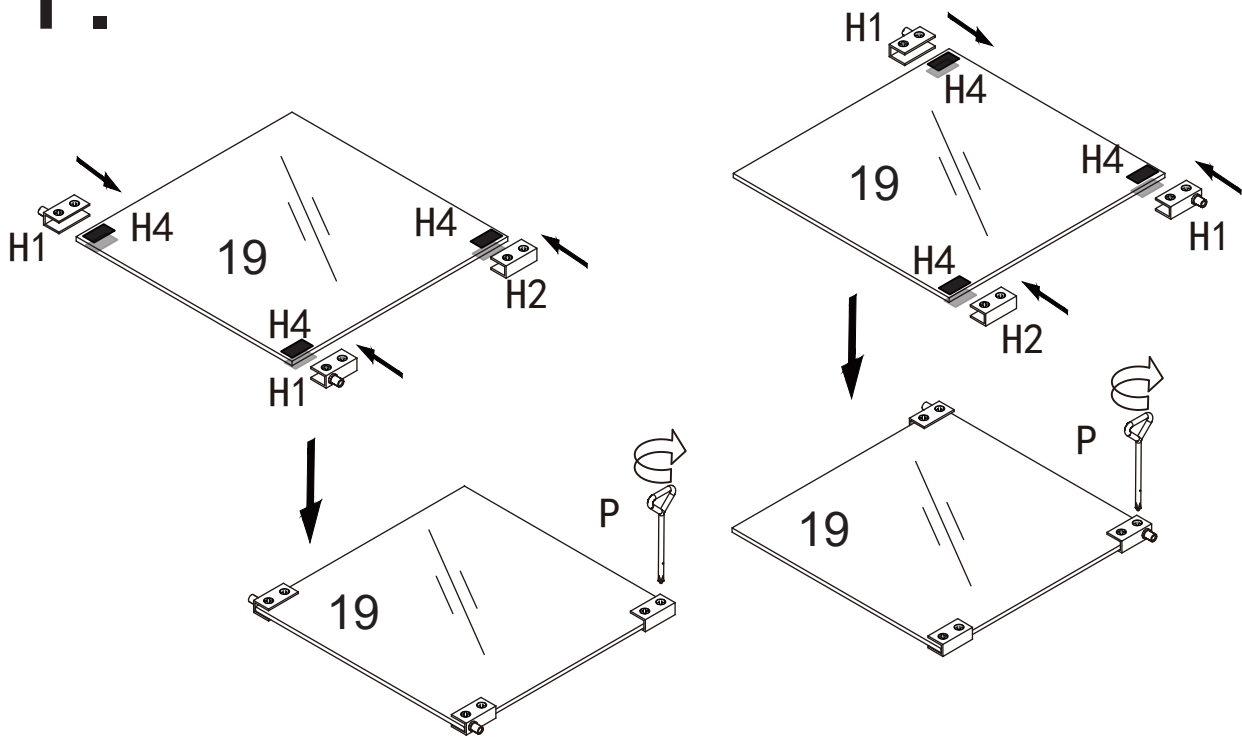
M*8



20.



21.



H-H4*12



H-H2*2

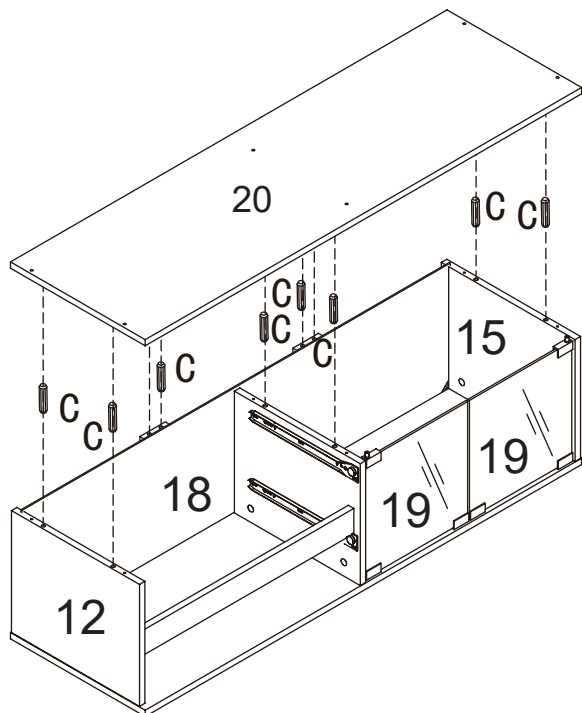
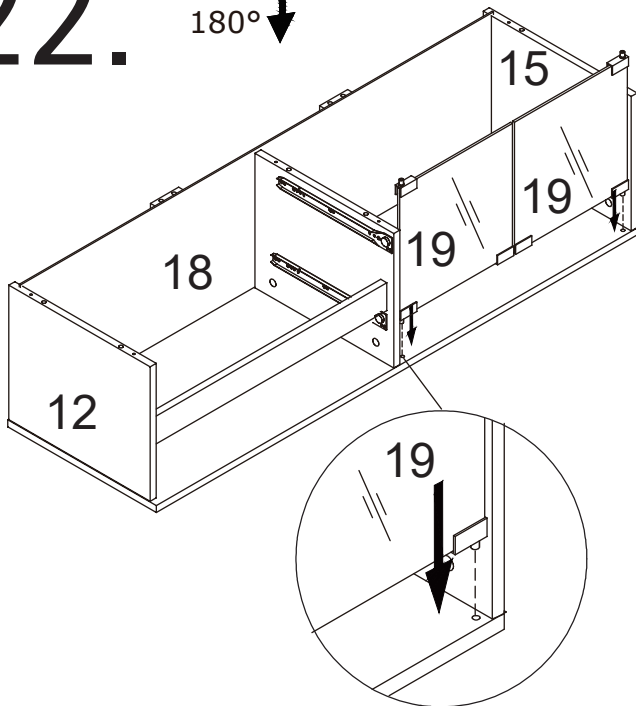


H-H1*4



22.

180°

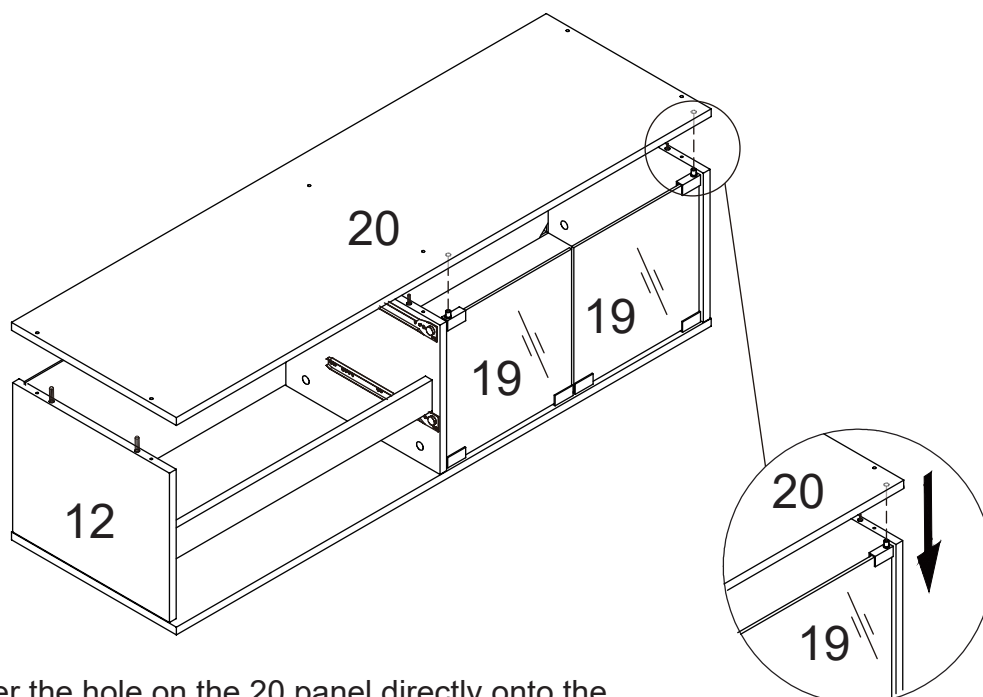


C*8



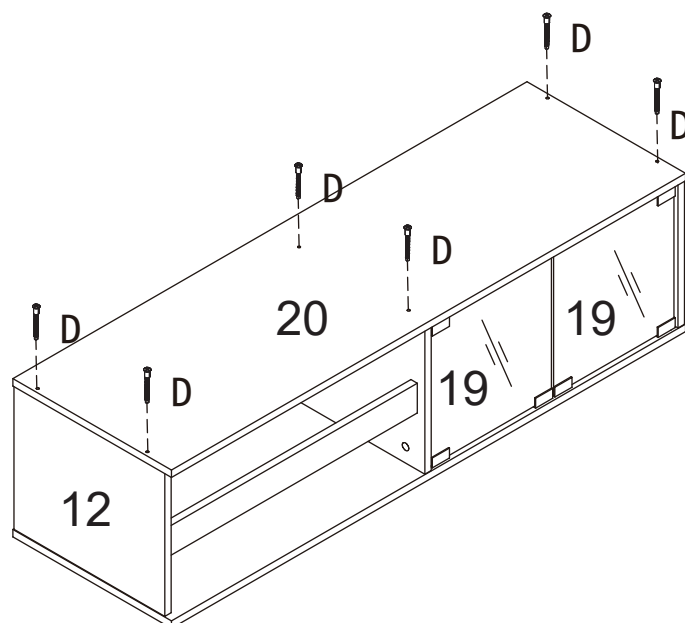
∅8 x 30 mm

23.



Cover the hole on the 20 panel directly onto the 19 glass clip, serving as a door panel pivot

24.

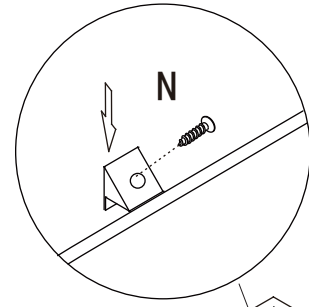
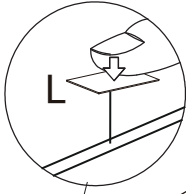


D*6

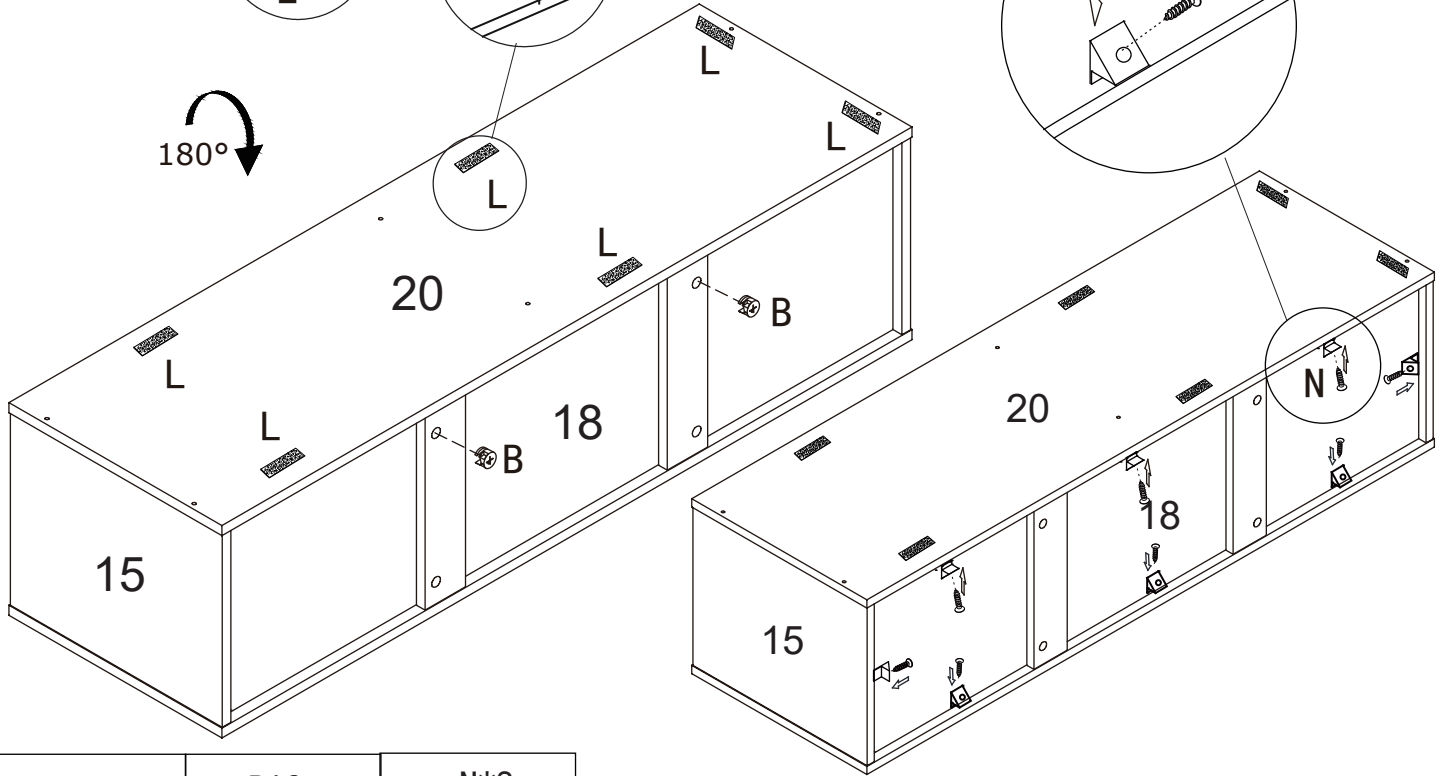


∅5 x 40 mm

25.



180°



L*6



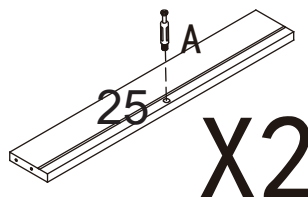
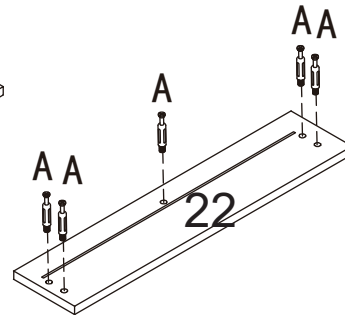
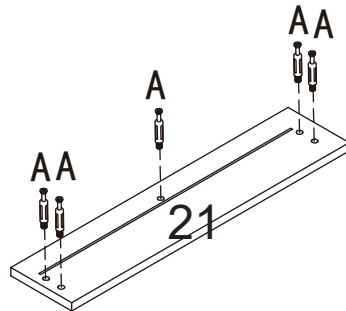
B*2



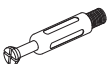
N*8



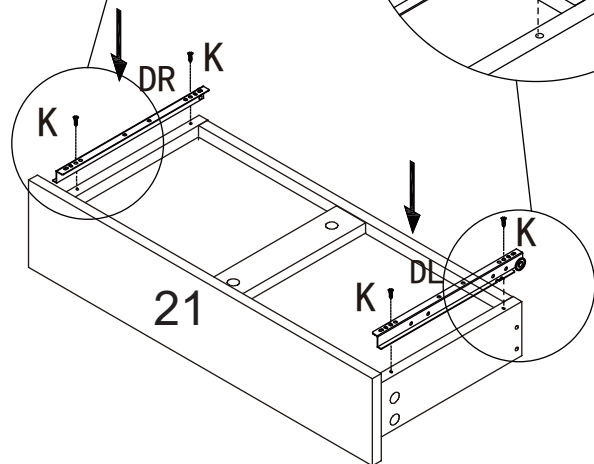
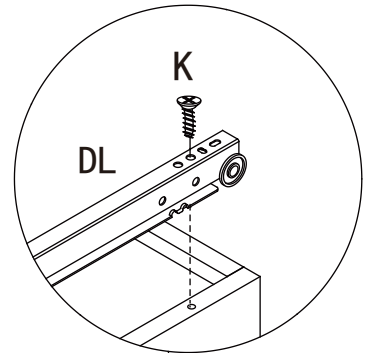
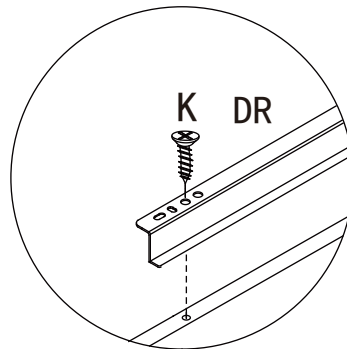
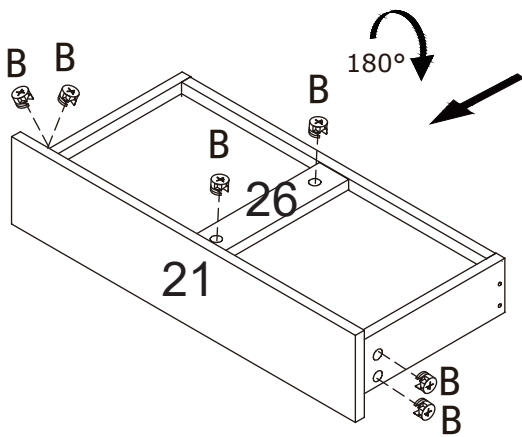
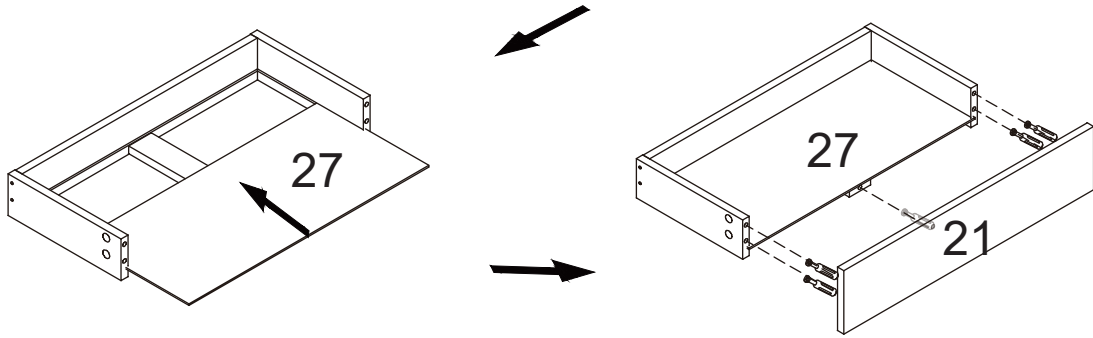
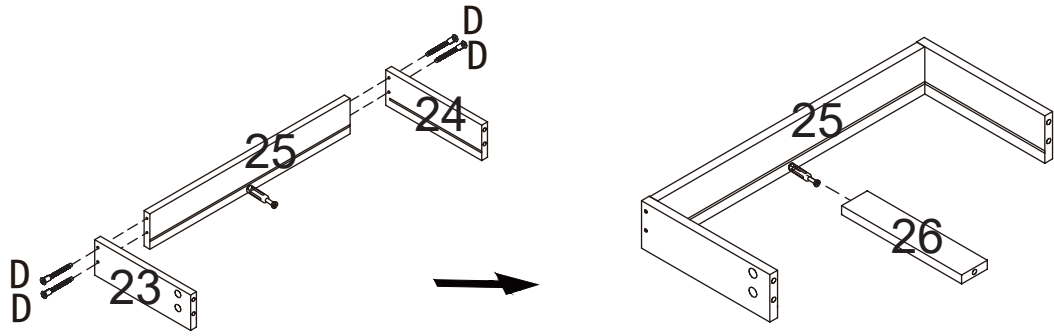
26.



A*12



27.



B*6

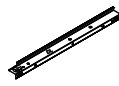


K*4



∅ 3.5 x 14 mm

E-DL*1



250mm

E-DR*1



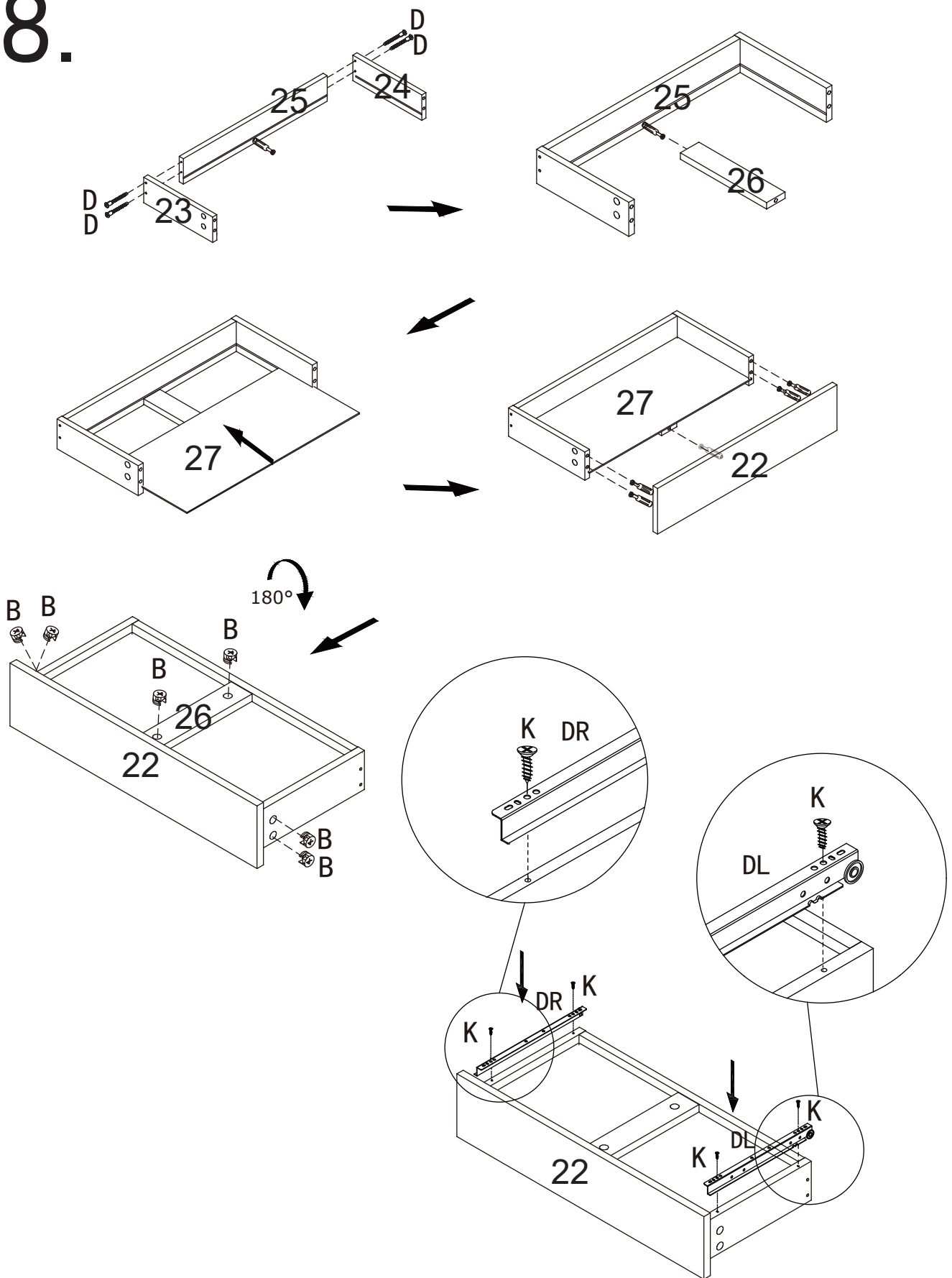
250mm






D*4



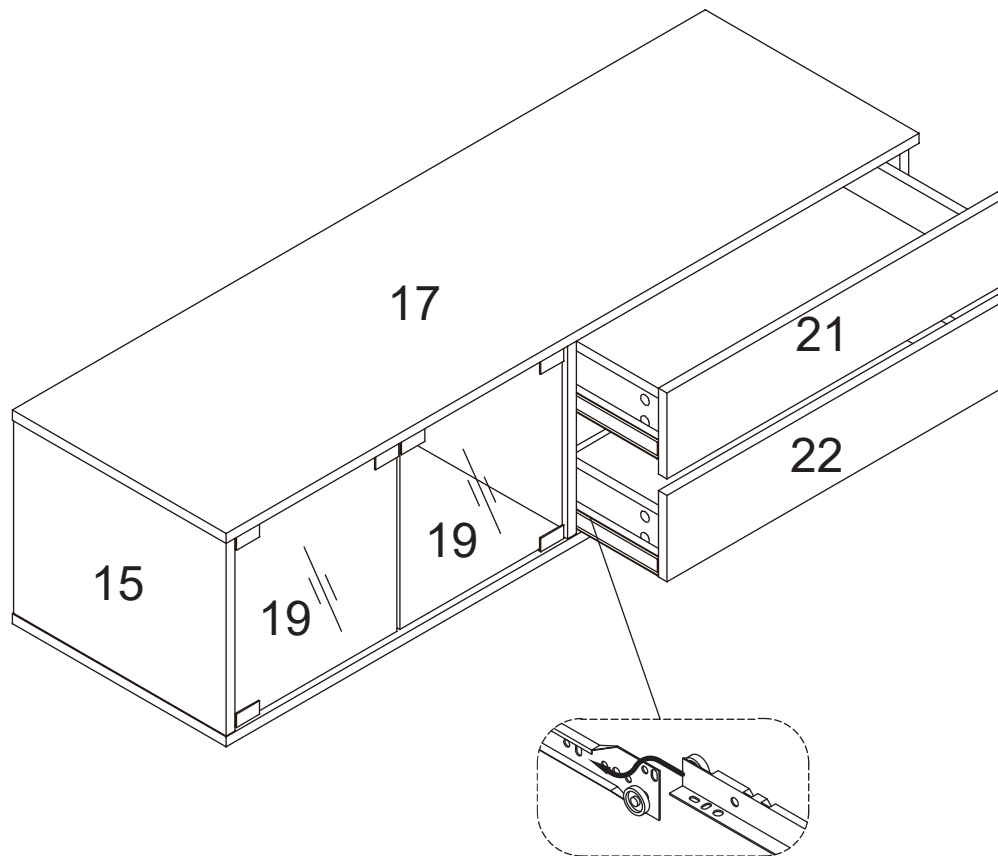
∅ 5 x 40 mm

28.



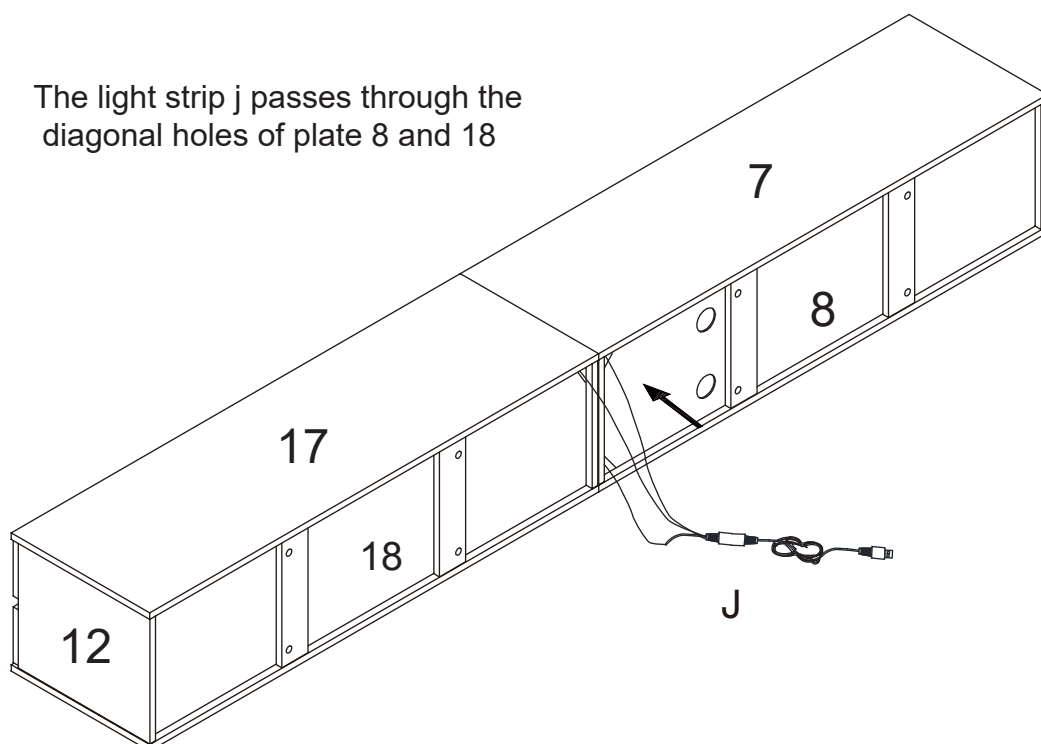
<p>B*6</p> 	<p>K*4</p>  <p>∅ 3.5 x 14 mm</p>	<p>E-DL*1</p>  <p>250mm</p>	<p>E-DR*1</p>  <p>250mm</p>	<p>D*4</p>  <p>∅ 5 x 40 mm</p>
--	---	--	--	---

29.

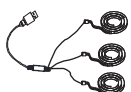


30.

The light strip j passes through the diagonal holes of plate 8 and 18

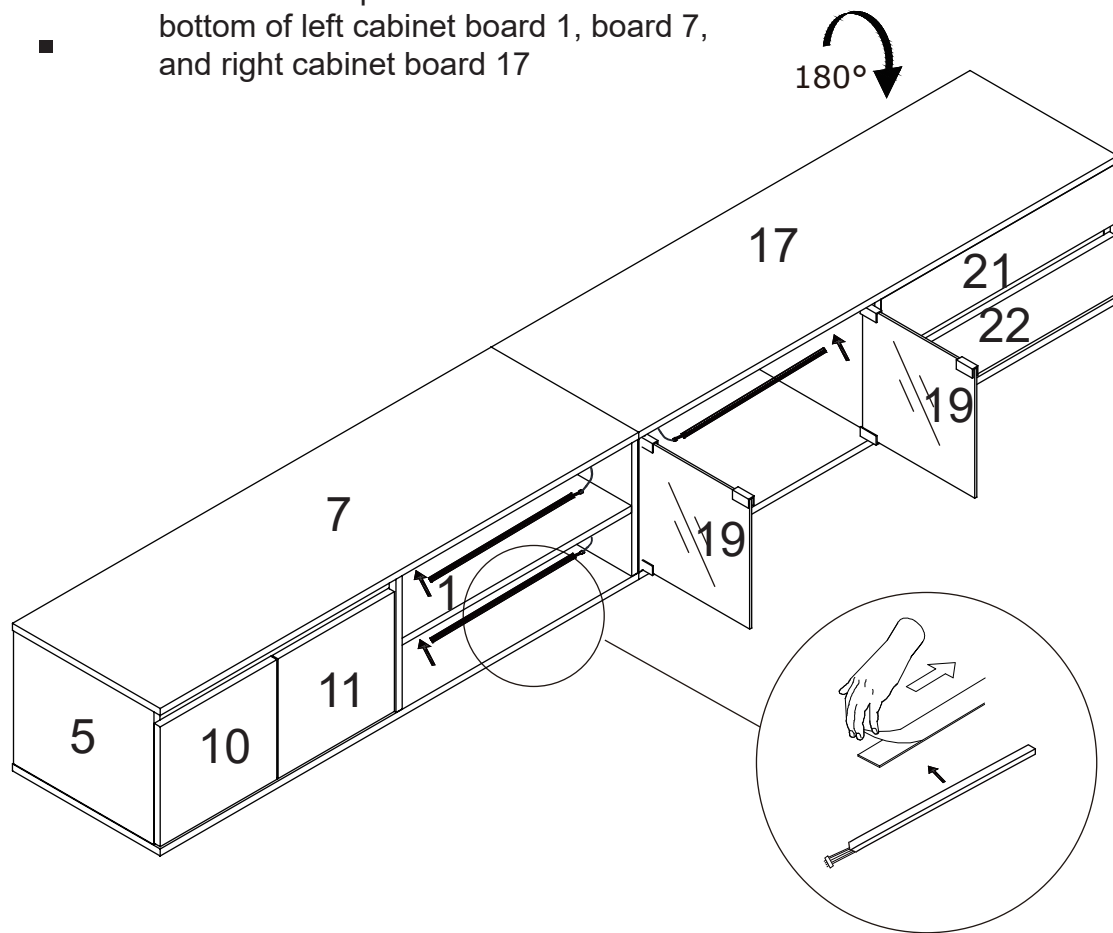


J*1



31.

J needs to be pasted between the bottom of left cabinet board 1, board 7, and right cabinet board 17



32.

