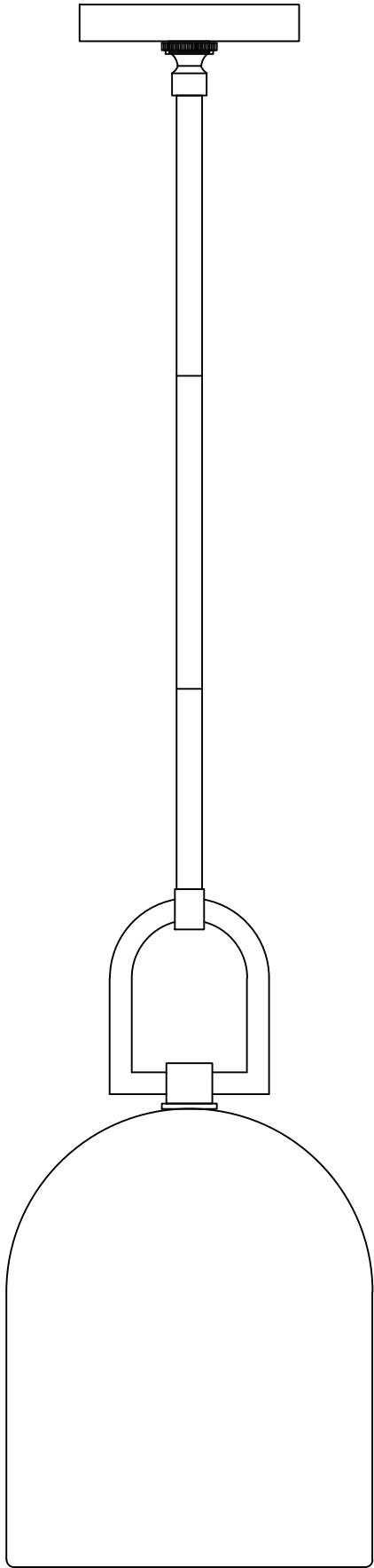
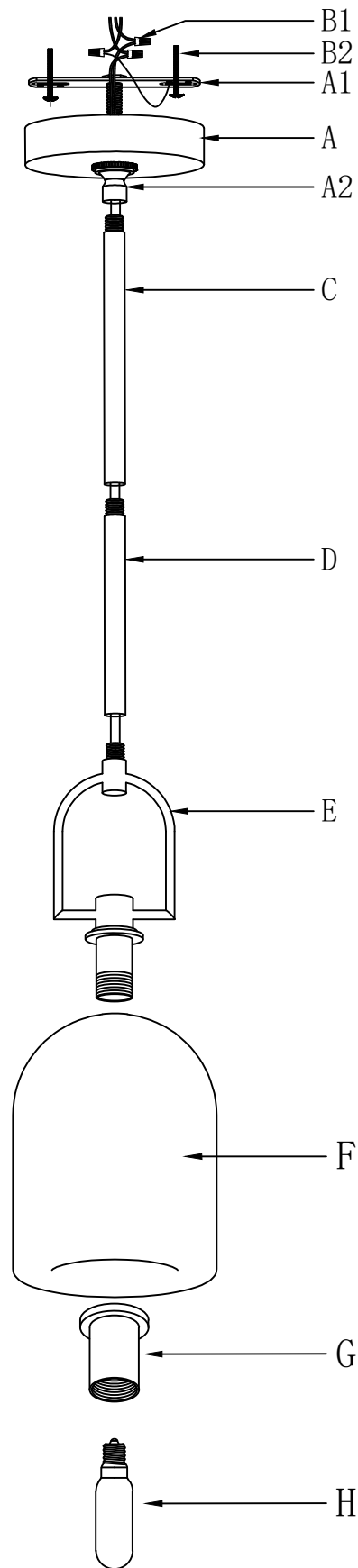
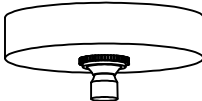





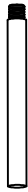

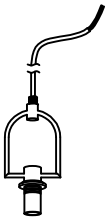
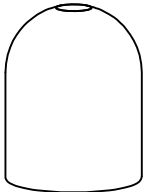

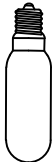


INSTALLATION MANUAL



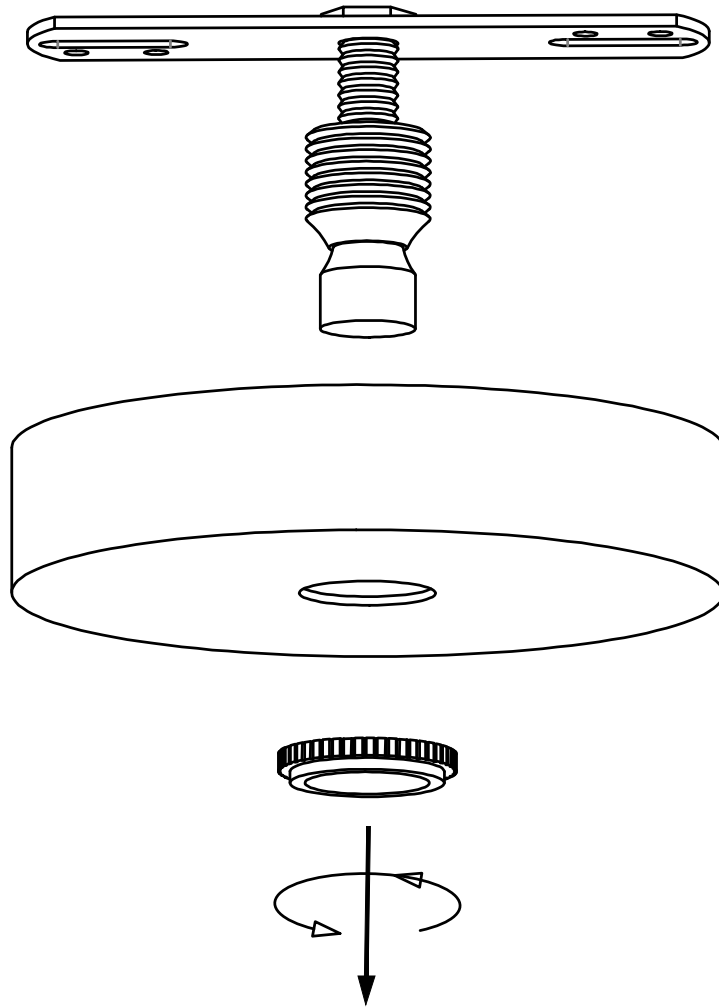
Open the box, and take out all the accessories
you will get the following items.



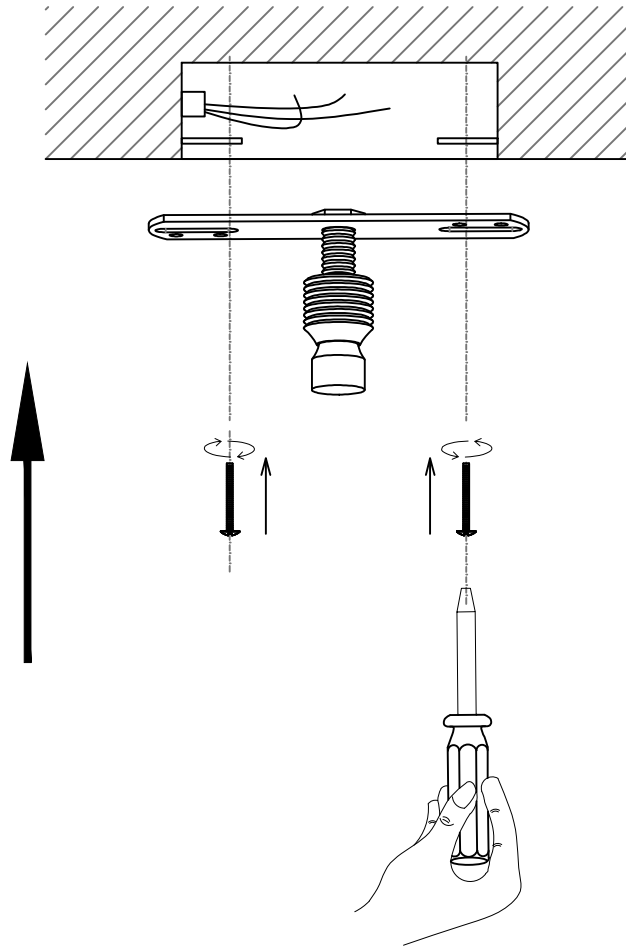
accessories list					
					
A*1	A1*1	A2*1	B1*3	B2*2	B3*1
					
C*5	D*2	E	F*1	G*1	
					
H*1					

NO.	Specification Name	QT	NO.	Specification Name	QT
A	Canopy	1	D	Circular Tube L150mm	2
A1	Mounting Bracket	1	E	Lamp body+Wire	1
A2	Moving Head Light	1	E1	Hex Socket Set Screw	3
B1	Wire Connector	3	E2	External Thread Ring	1
B2	Machine Screw	4	F	Glass Lampshade	1
B3	L-shaped Hex Key	4	G	lampholder	1
C	Circular Tube L300mm	5	H	E12 Bulb	1

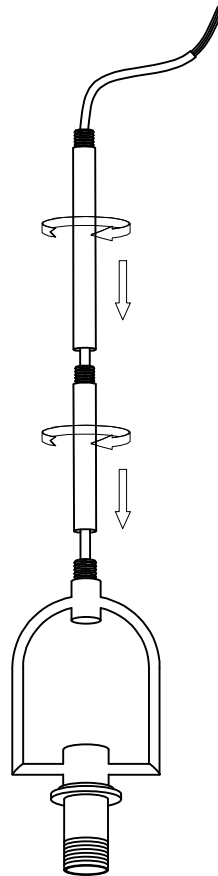
Step 1



Step 2

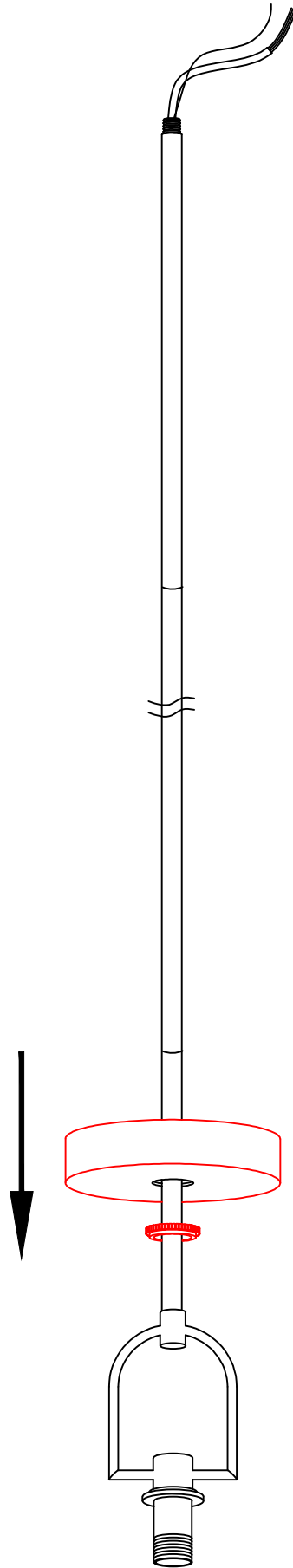


Step 3

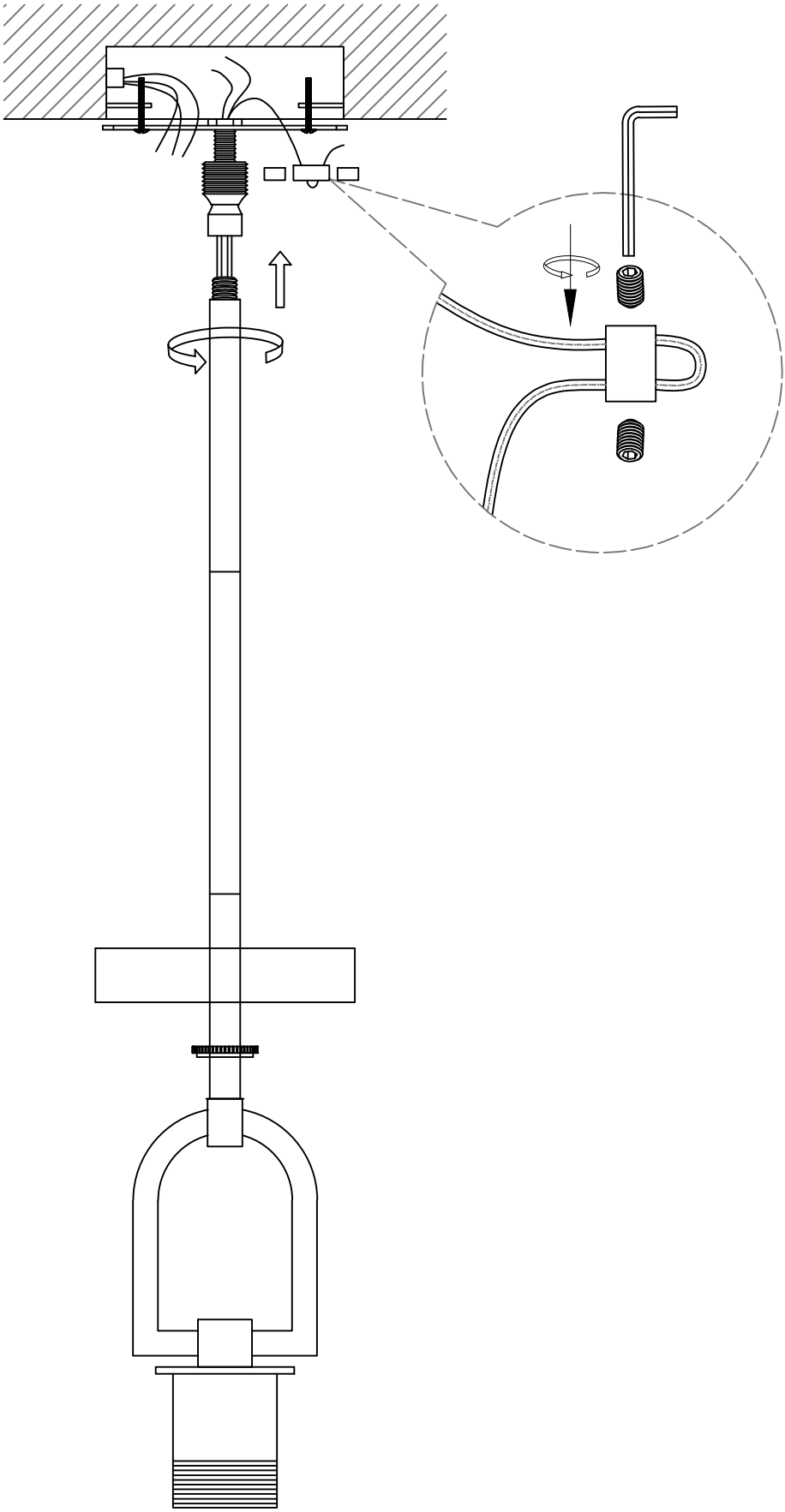


Install the number of round pipes according to the actual height requirements

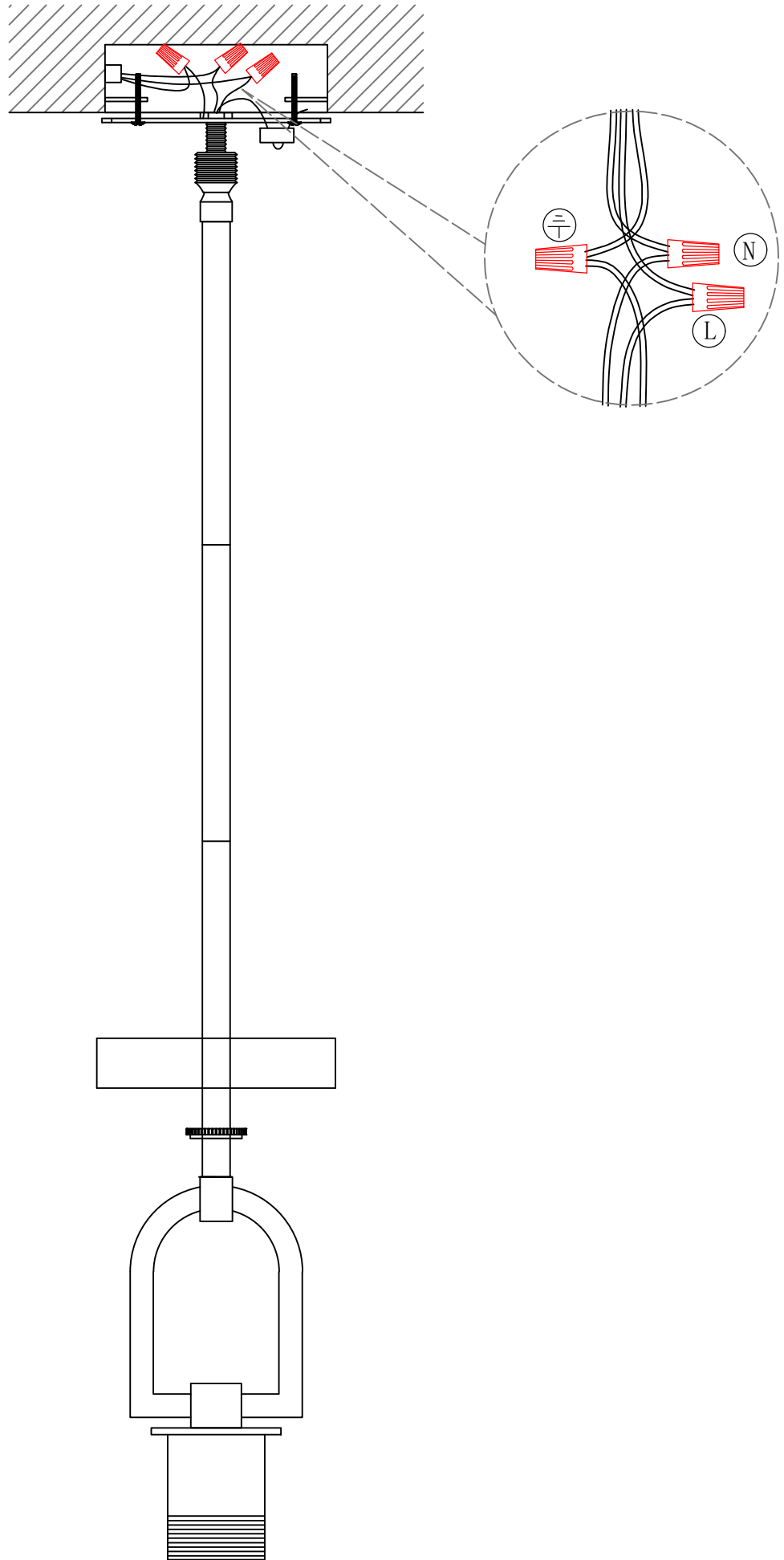
Step 4



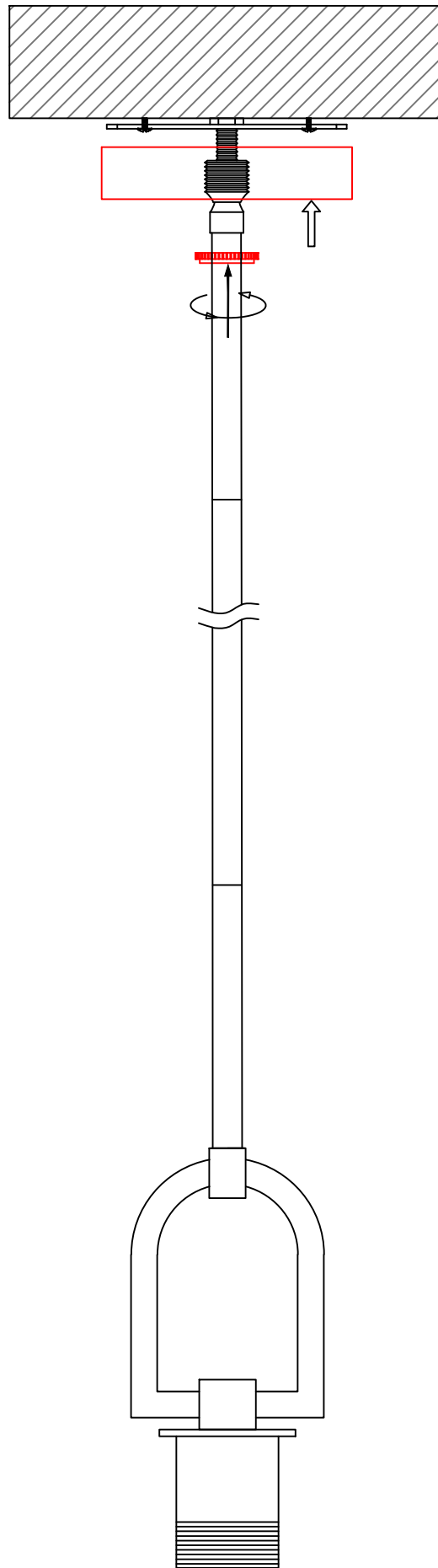
Step 5



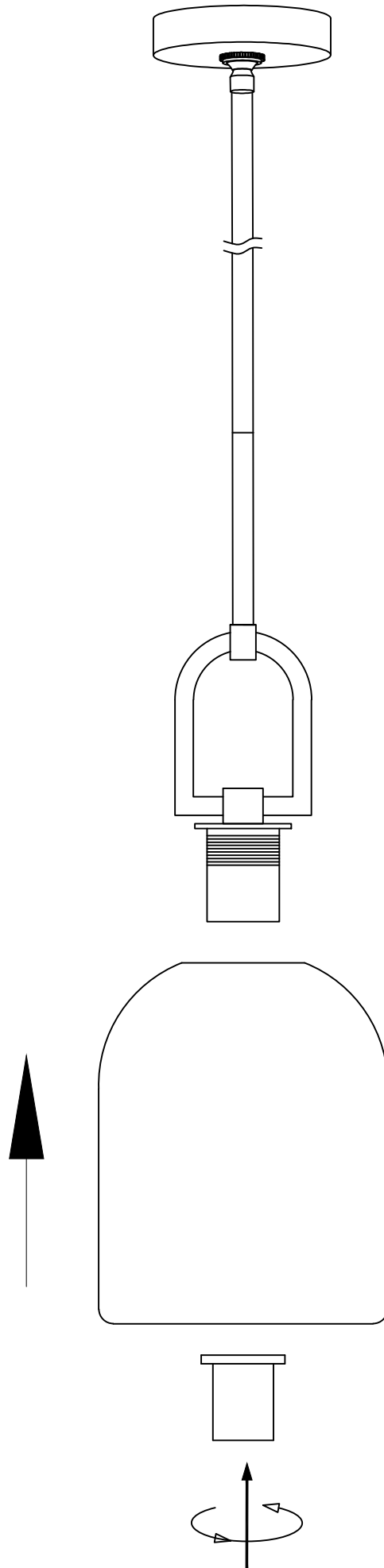
Step 6



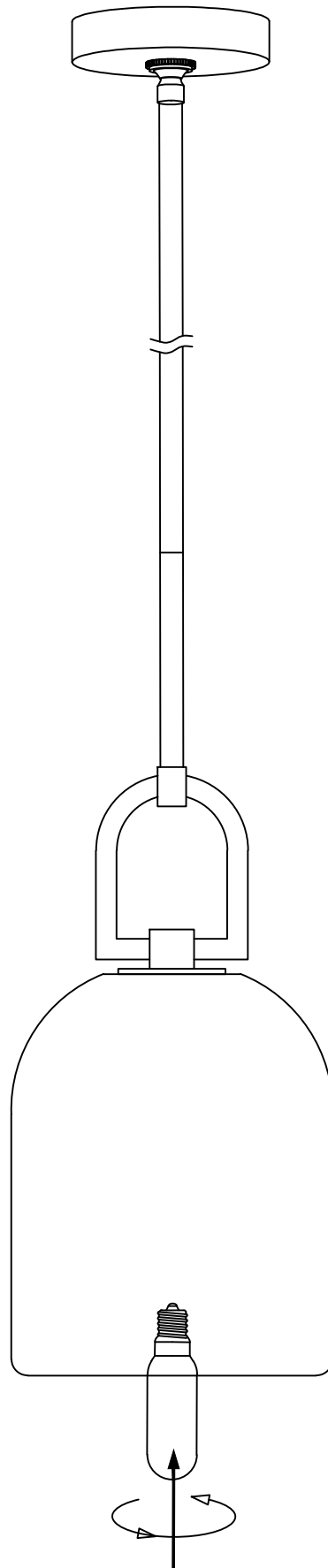
Step 7



Step 8



Step 9



FAQ

Q:What if the bulb is not vertical when installing?

A:We can loosen the bulb to fine-tune the angle.Ensure that the light bulb, when being locked, is vertical! So that the light Bulb will not touch the inner wall of the lampshade!

No matter what problems or questions you encounter during the installation or use of the chandelier, please feel free to contact us, we will reply to you within 24 hours and quickly solve or answer for you!

When you leave a message to us online, please leave your order ID and case details. The more detailed and accurate descriptions you provide, the faster and more accurate solutions we will offer!

SAFETY INSTRUCTIONS

These instructions are provided for your safety. It is very important that you read the instructions completely before starting the installation of your fixture.

1. We recommend installation by a licensed electrician .
2. This fixture require E12 bulbs (INCLUDED) and bulb rated wattage: Max 10W. Low wattage LED bulbs are recommended. To avoid risk of fire, do not exceed the recommended wattage.
3. If any special control devices are used with this fixture, follow the instructions carefully to assure full compliance with N.E.C. requirements. If there are any problems, contact a qualified electrical contractor.
4. Please ensure that you shut off the main electrical supply before installation, changing bulbs or cleaning light fixture.

WARNINGS

This is not a toy and the product has no play value.
Keep at least 3 feet away from cribs, bassinets and toddler beds.
Keep out of reach of children under 3 years of age.



PREPARATION

1. Please prepare the E12 bulbs in the package in advance.
2. Please keep the installation position clean and tidy so as not to miss the small accessories.