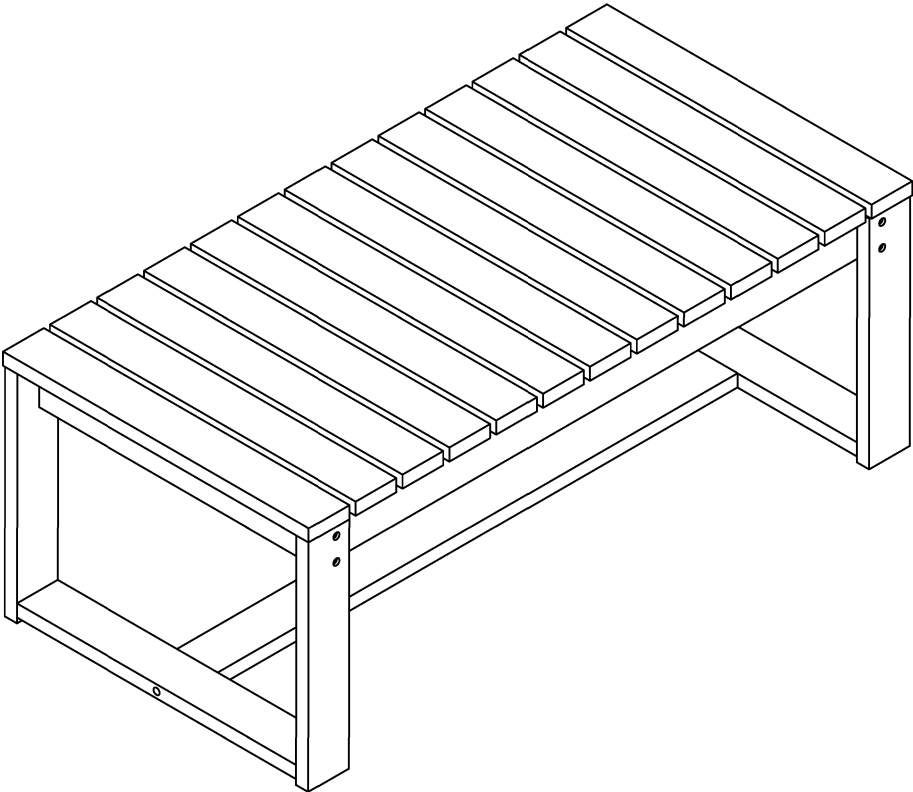
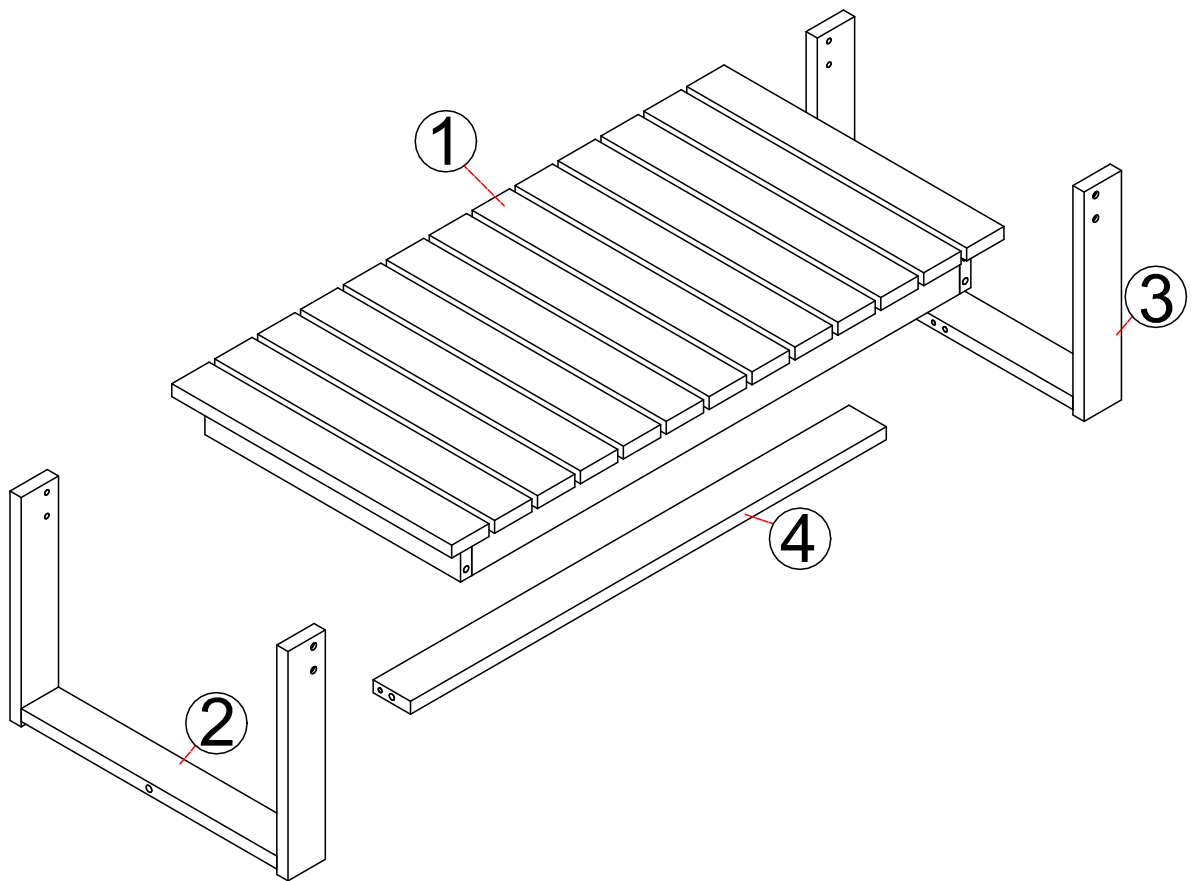


Assembly Instruction

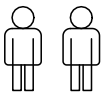


IF YOU PURCHASE THE PRODUCT ONLINE AND HAVE ANY
QUESTIONS OR CONCERNS,
PLEASE CONTACT US

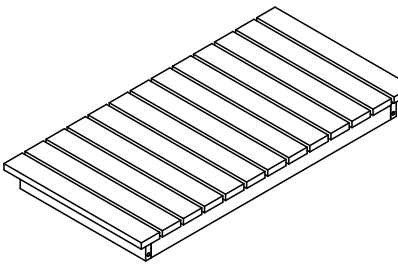
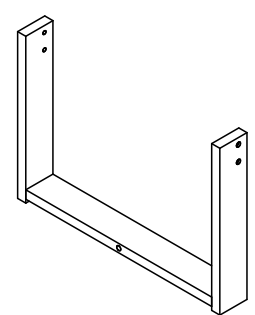
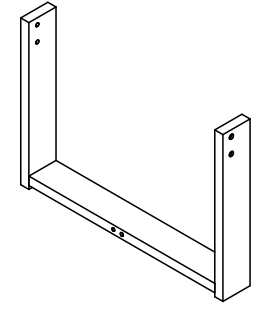
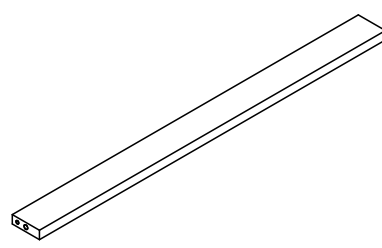
Assembly Instruction



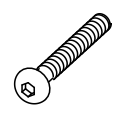
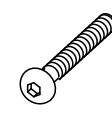
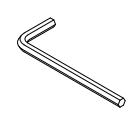
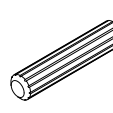
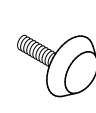
2 PERSONS



PARTS LIST

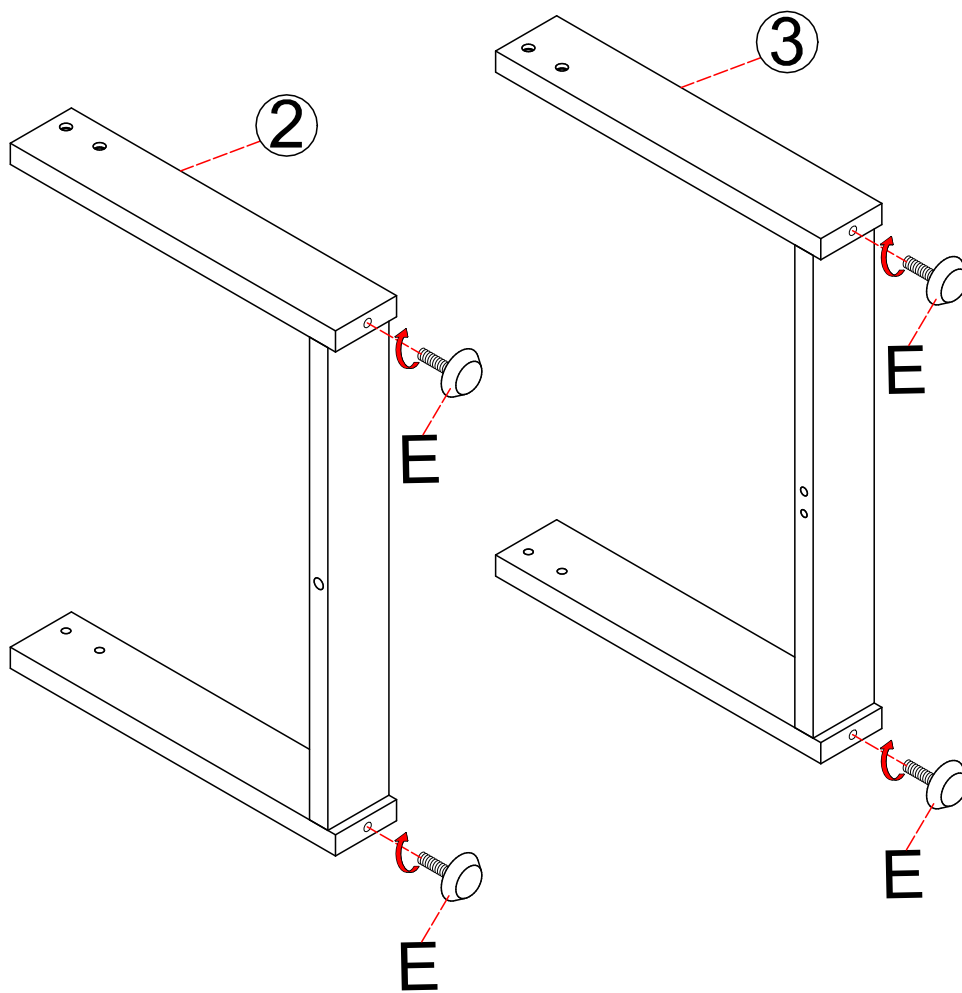
<p>①</p>  <p>1PC</p>	<p>②</p>  <p>1PC</p>	<p>③</p>  <p>1PC</p>
<p>④</p>  <p>1PC</p>		

HARDWARE LIST

<p>A</p>  <p>M6x40mm 8PCS</p>	<p>B</p>  <p>M6x60mm 2PCS</p>	<p>C</p>  <p>1PC</p>	<p>D</p>  <p>8x30mm 2PCS</p>	<p>E</p>  <p>4PCS</p>
--	--	---	--	--




STEPS

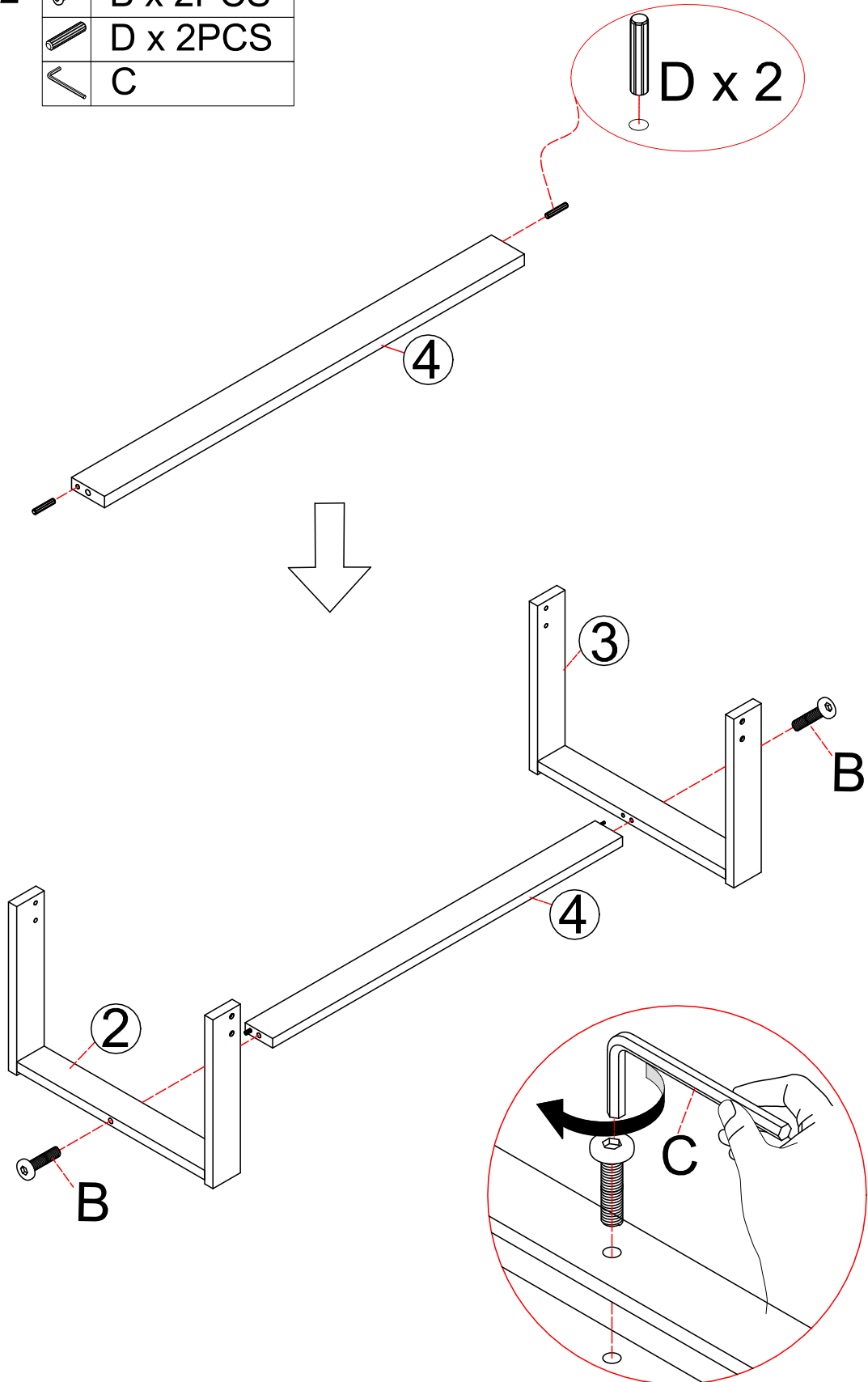
STEP-1  E x 4PCS



STEPS

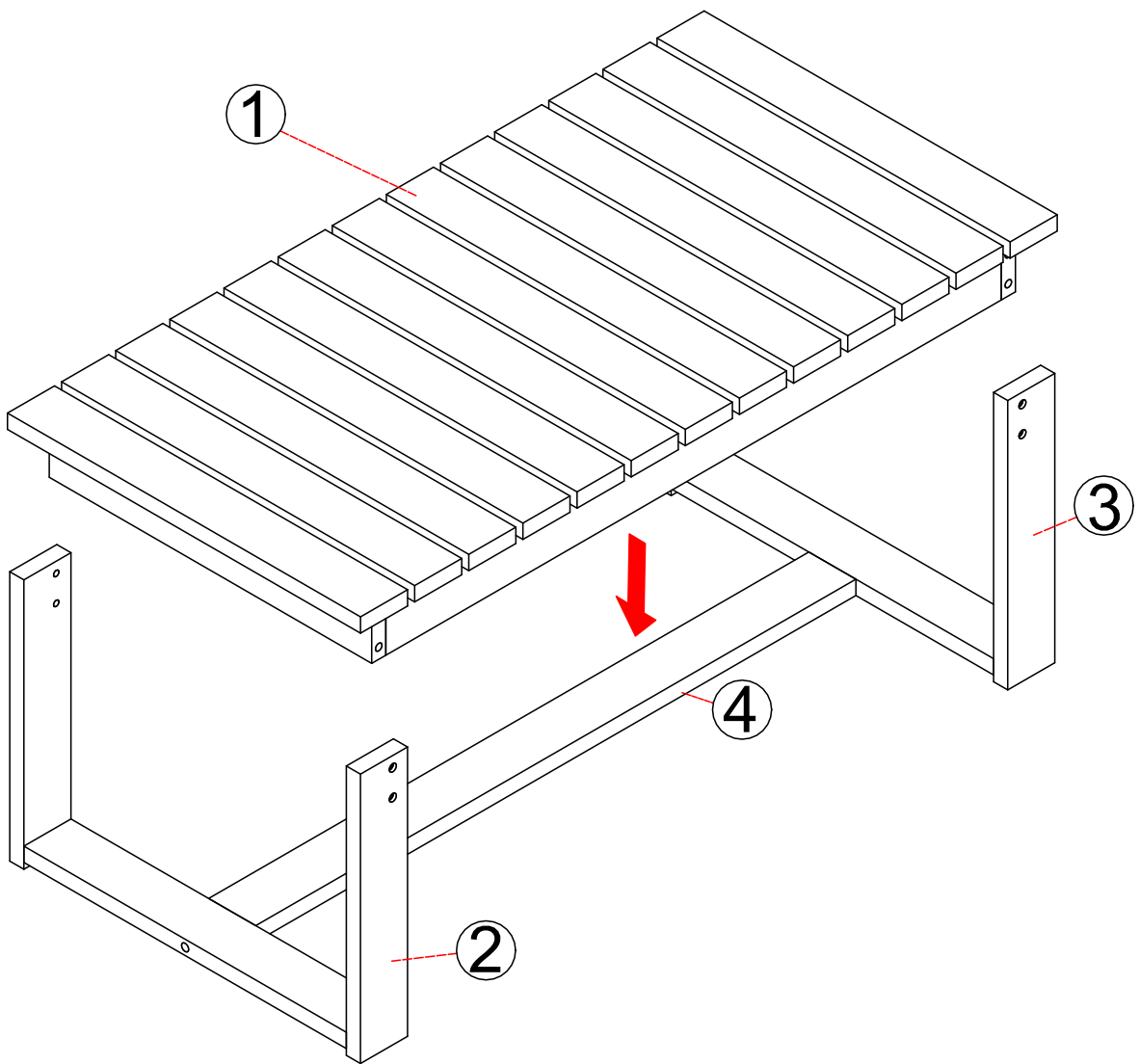
STEP-2

	B x 2PCS
	D x 2PCS
	C



STEPS

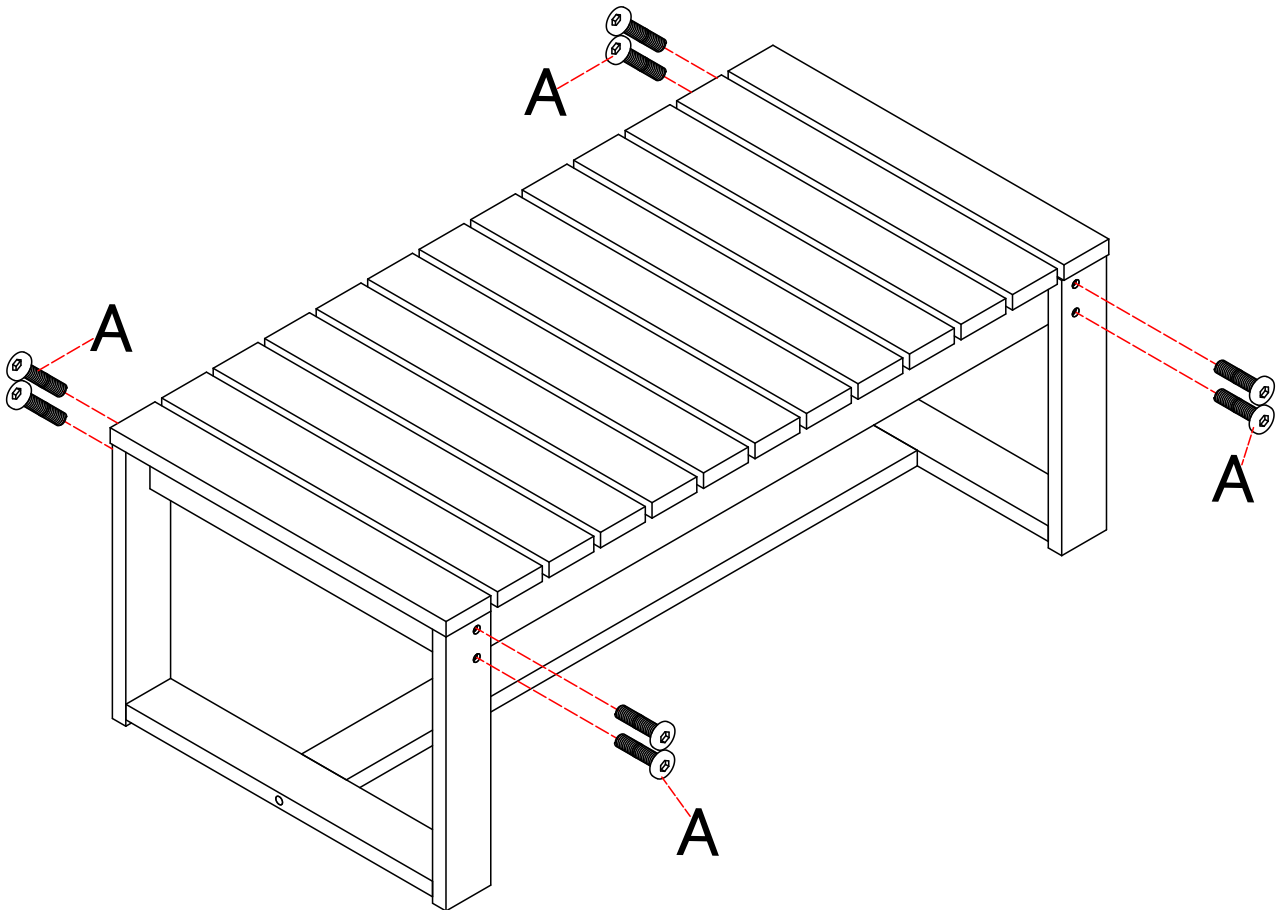
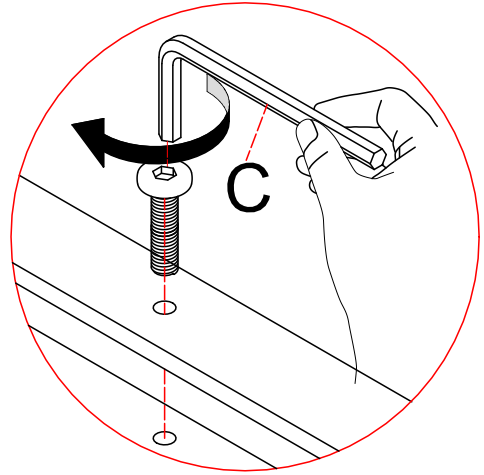
STEP-3



STEPS

STEP-4

	A x 8PCS
	C



Warranty

We are committed to providing quality outdoor furniture and offer a one-year limited warranty on this product.

Terms and Conditions

This warranty covers defects in materials and workmanship under normal use and care for a period of one year from the date of purchase. Proof of purchase (dated receipt or invoice) is required for all warranty claims.

Customer Responsibilities

The customer is responsible for all freight and packing charges associated with returning the product to our service center and shipping it back after repair or replacement.

Exclusions

This warranty does not cover:

Normal wear and tear, including scratches, stains, fading, or discoloration.
Damage caused by misuse, accidents, neglect, or improper maintenance.

Damages resulting from exposure to extreme weather conditions.

Commercial use of the product.

How to File a Claim

To submit a warranty claim:

Provide proof of purchase.

Include a detailed description of the issue and photos, if applicable

Contact our customer service team for assistance. If your claim is approved, we will repair or replace the product or provide a comparable solution at our discretion.

This warranty is non-transferable and applies only to the original purchaser. For optimal product performance, we recommend following all care and maintenance instructions.