

ASSEMBLY INSTRUCTIONS



Fine Furniture for every stage of life

DINING TABLE

ASSEMBLY INSTRUCTIONS

ASSEMBLY TIPS:

1. Remove hardware from box and sort by size.
2. Please check to see that all hardware and parts are present prior to start of assembly.
3. Please follow attached instructions in the same sequence as numbered to assure fast & easy assembly.



WARNING!

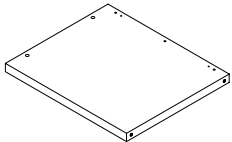
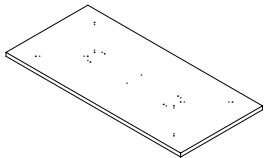
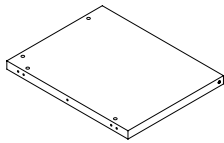
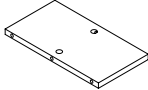
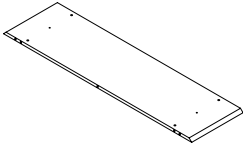
1. Don't attempt to repair or modify parts that are broken or defective. Please contact the store immediately.
2. This product is for home use only and not intended for commercial establishments.



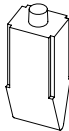

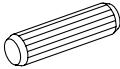
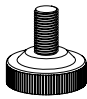
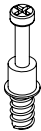
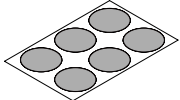
ASSEMBLY TIME

60 MINUTES

PARTS IDENTIFICATION

A	LONG SIDE PANEL		2 PCS	D	TOP		1 PC
B	SHORT SIDE PANEL		2 PCS	E	CROSS BRACE		2PCS
C	LOWER DIVIDER PANEL		2PCS				

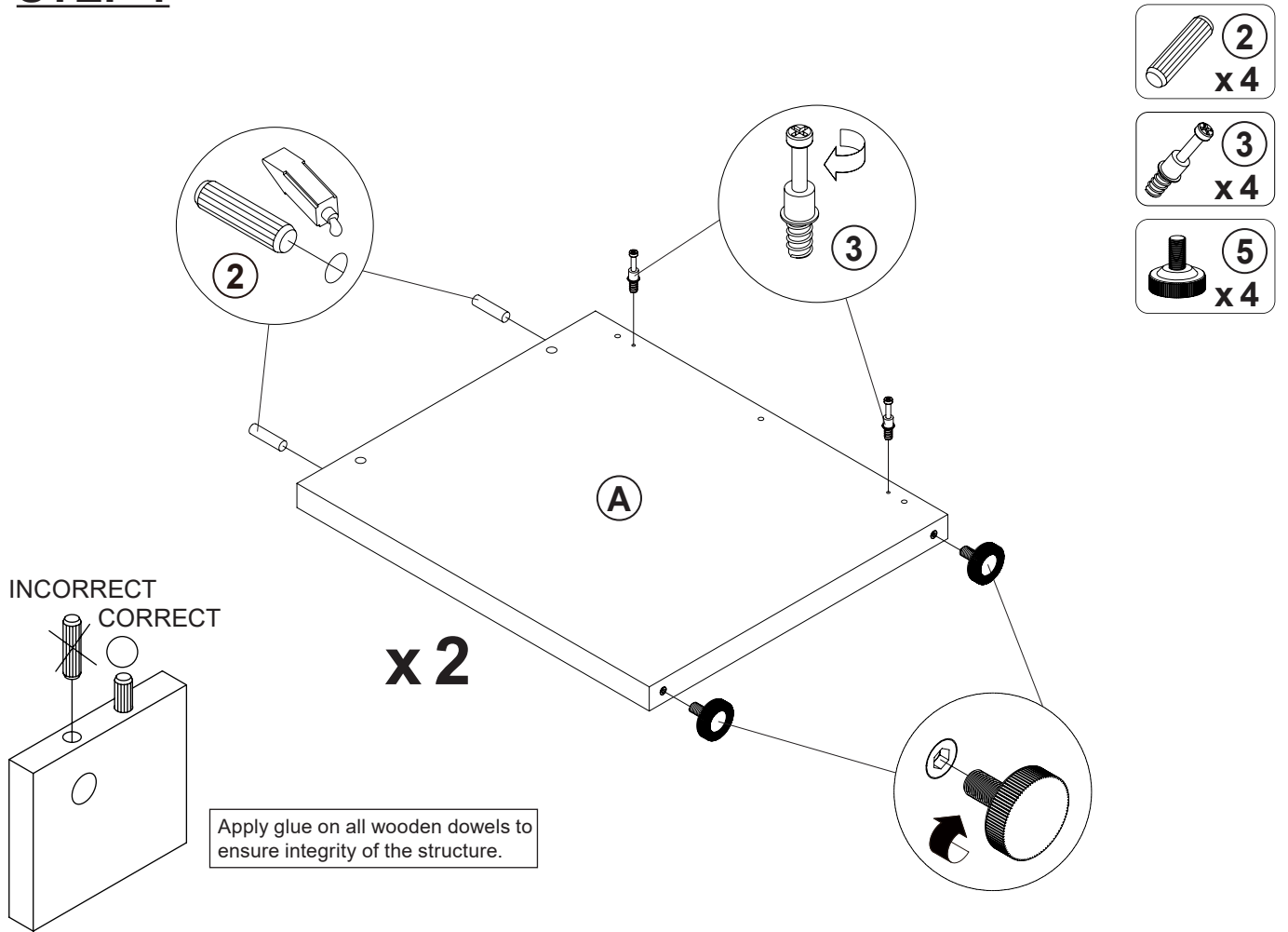
HARDWARE IDENTIFICATION

Z	NO	DESCRIPTION	FIGURE	Q'TY	NO	DESCRIPTION	FIGURE	Q'TY
	1	GLUE 40g		1 PC	4	CAM LOCK Ø15x12mm SR		22 PCS
	2	WOODEN DOWEL Ø8x30mm		26 PCS	5	PLASTIC FEET M8x14mm		6 PCS
	3	CAM BOLT Ø7x35.5mm SR		22 PCS	6	STICKER Ø20mm		4 PCS

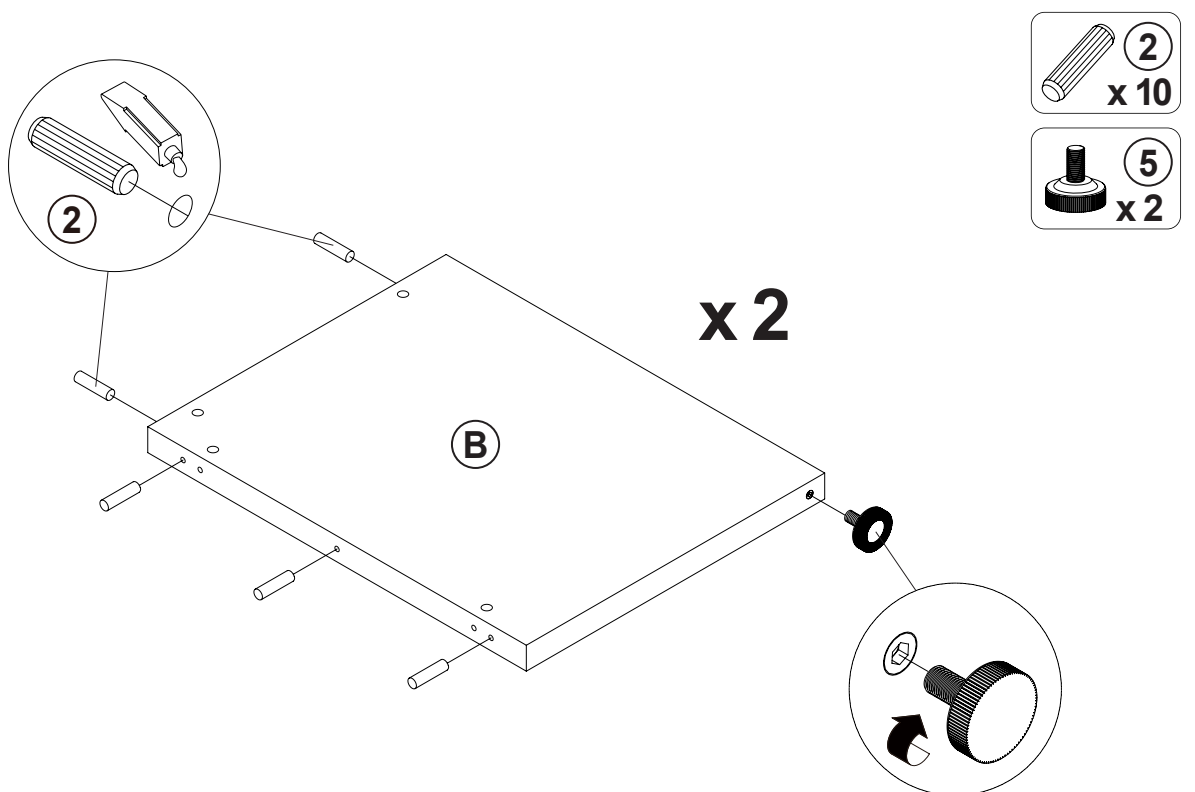
NOTE:

Phillips head screw driver is required in the assembly process; however, manufacturer does not provide this item.

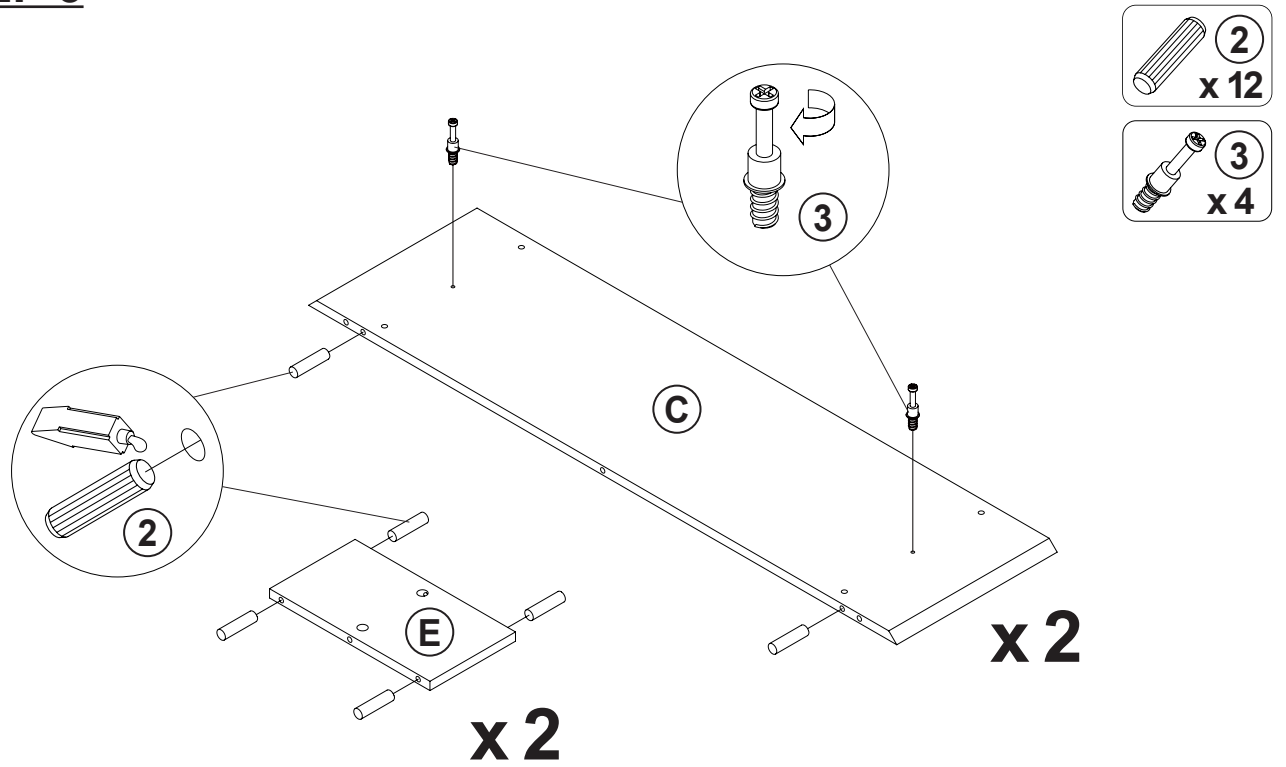
STEP 1



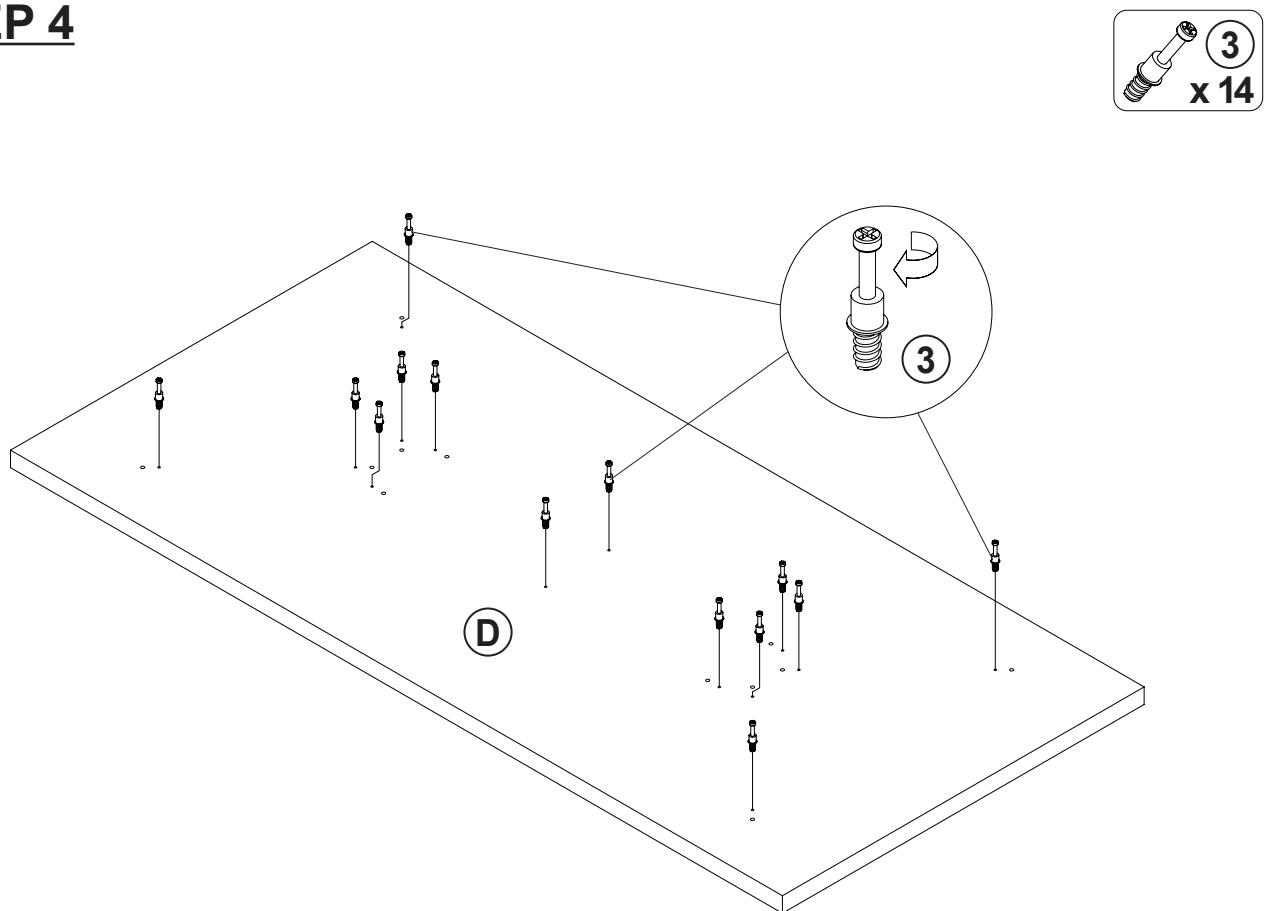
STEP 2



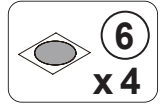
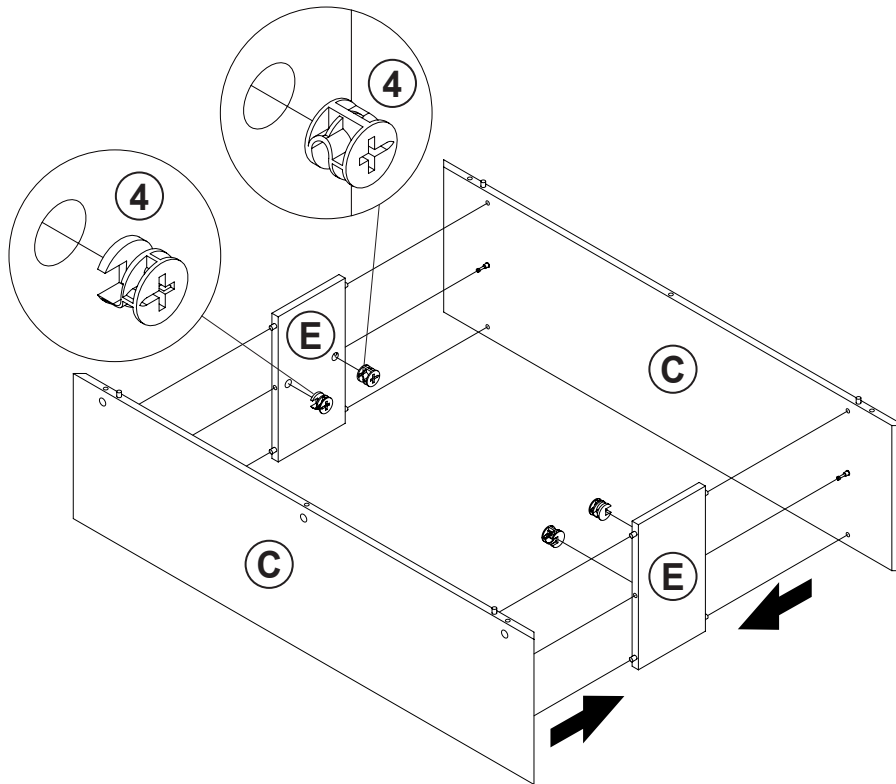
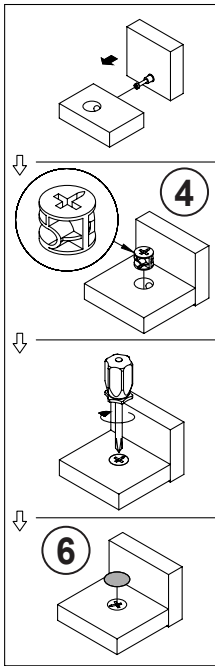
STEP 3



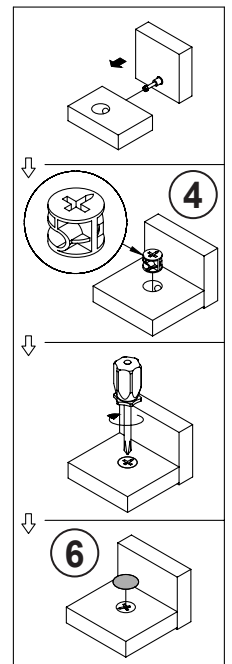
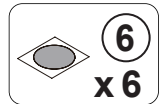
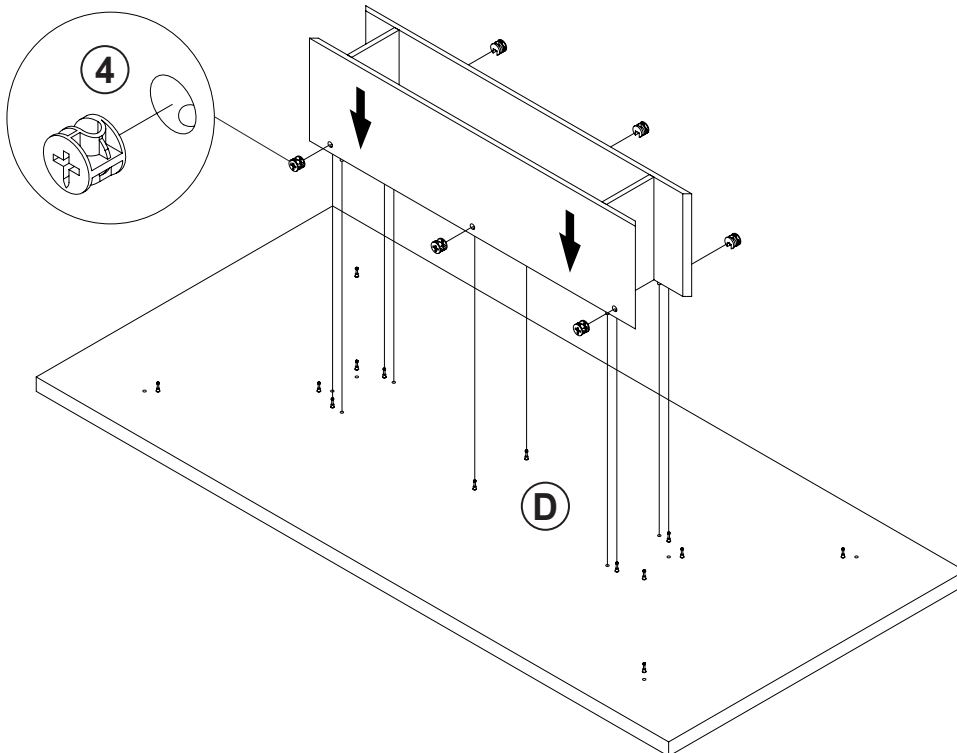
STEP 4



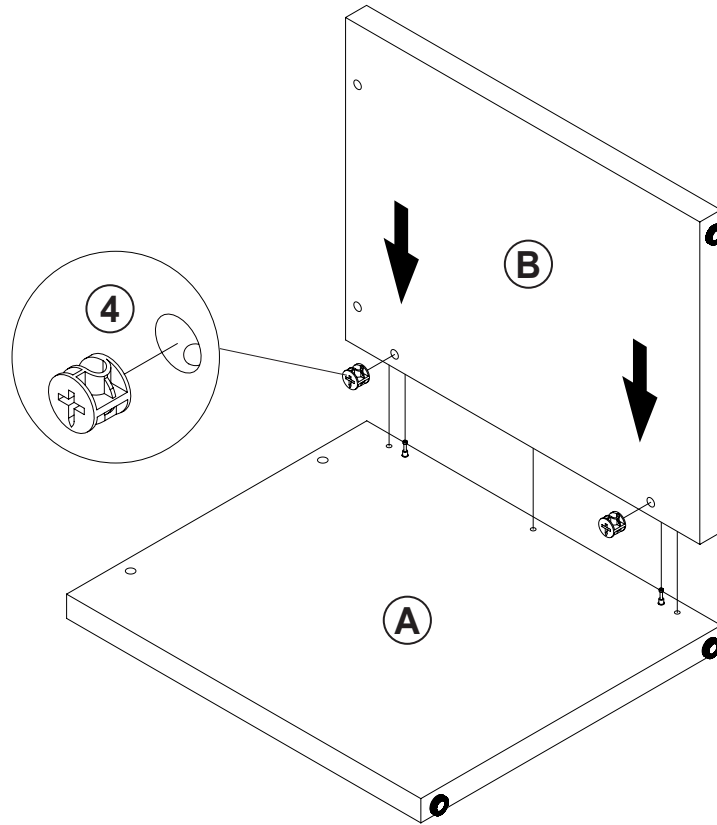
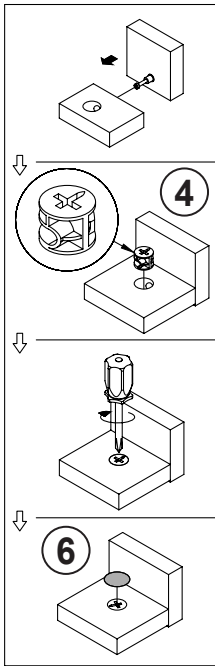
STEP 5



STEP 6

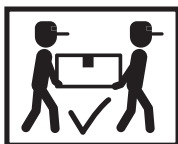
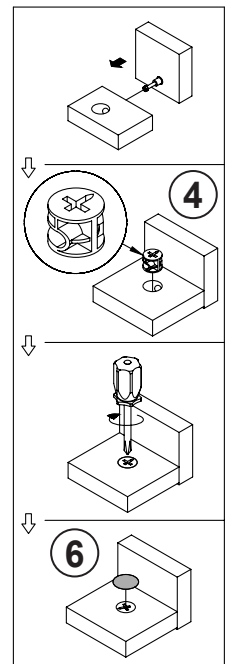
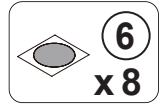
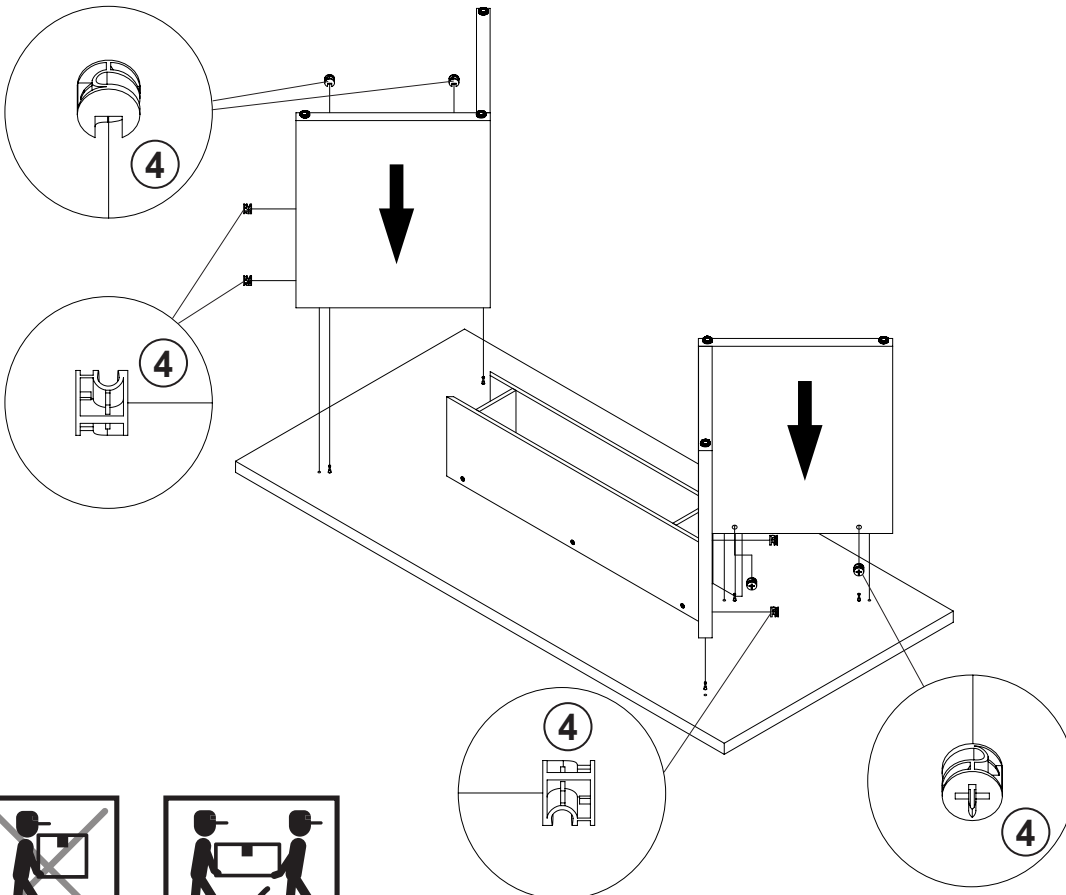


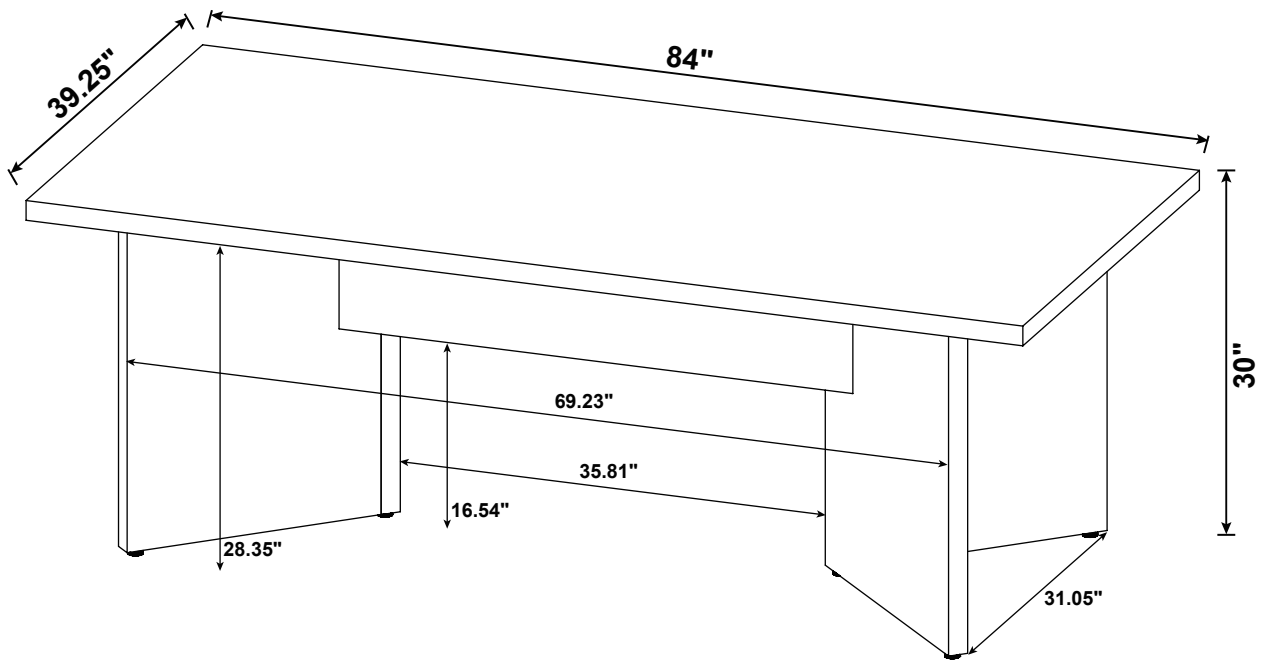
STEP 7



x 2

STEP 8





Note : Dimension tolerance $\pm 5\%$