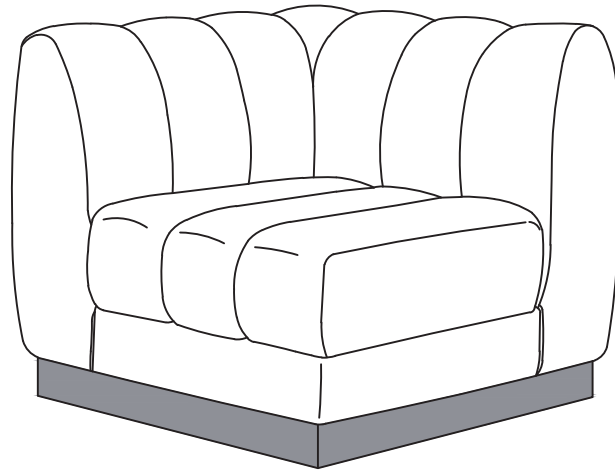
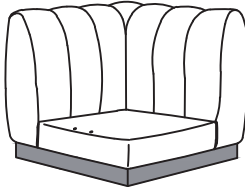
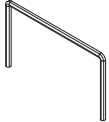
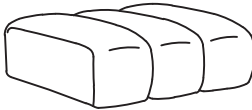


ASSEMBLY INTRUCTION

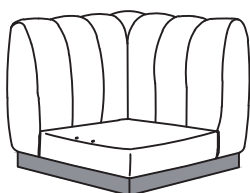


CORNER CHAIR is packed in 1 box

Carton	Disignation	Part		Hardware
CN	Corner Chair Unit	#1		#A x 
	Corner Chair Cushion	#2		

PART

#1 1pc



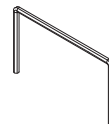
Corner Chair Unit

#2 1pc



Corner Chair Cushion

#A 2 pcs

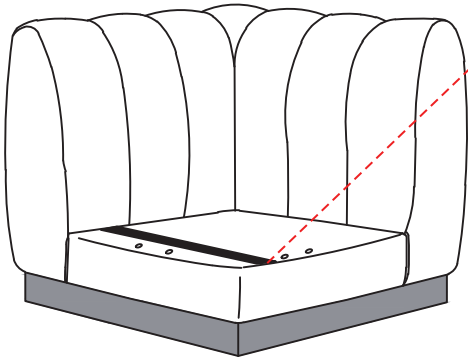


U-link hook

ASSEMBLY INTRUCTION

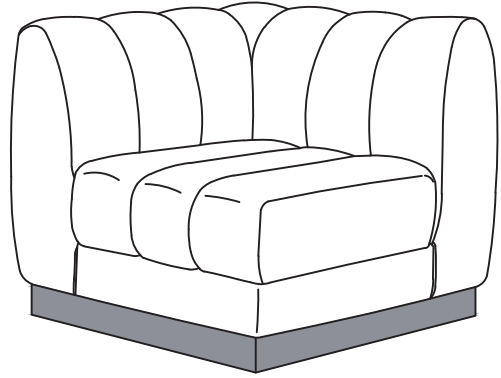
STEP:1

Pull off the Velcro cover on the seat frame

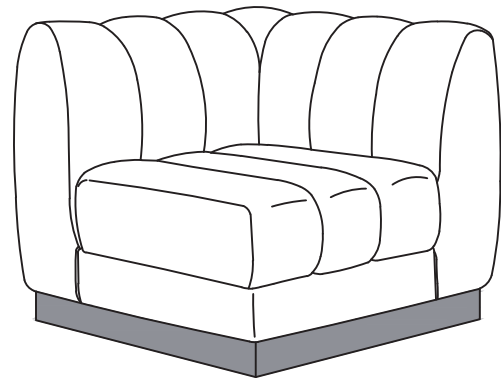


#1

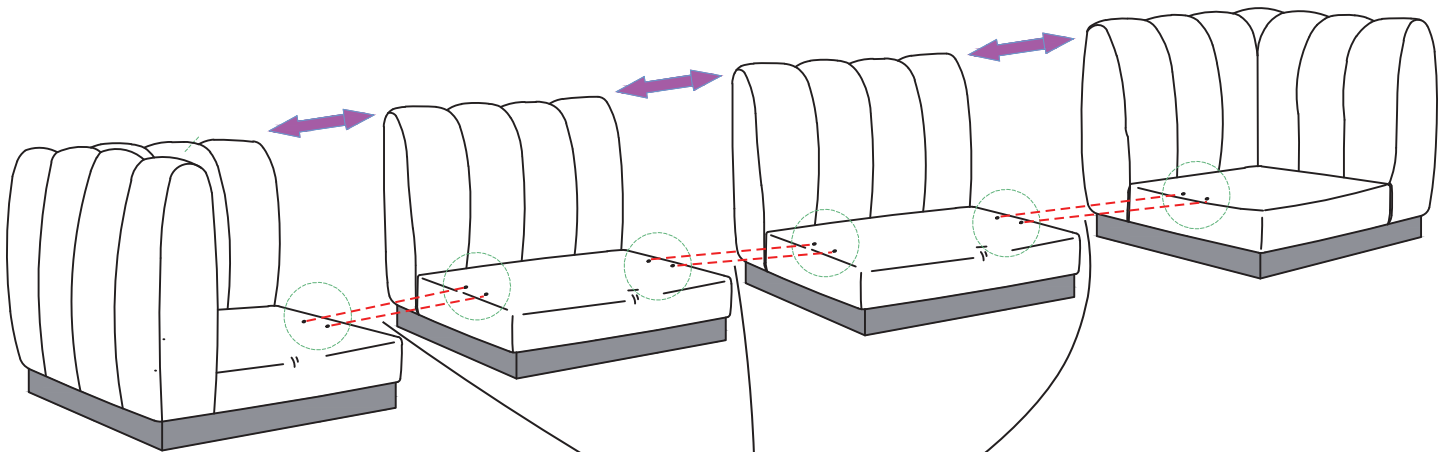
STEP:2 LEFT CORNER CHAIR



STEP:2 RIGHT CORNER CHAIR



This product is a modular product, need to combine the use of U-shaped iron hook.



NOTICE

The cushion is placed after the product is connected with a U-shaped iron hook.

