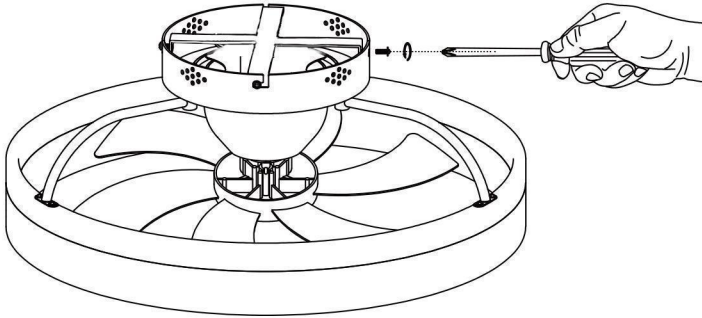


# Installation Step 1 (Mount the Bracket)



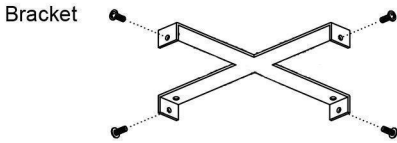
Loosen screws from the canopy (don't take off), take out the bracket from the canopy.

**With Outlet Box:** Fix the bracket onto the outlet box with screws from the outlet box, fix the cross bar of the bracket onto to the ceiling with 4 wood screws.

**Without Outlet Box:** Fix the cross bar onto the solid wood structure with 4 wood screws.

## Option 1

Outlet Box



Machine Screw  
(from outlet box)

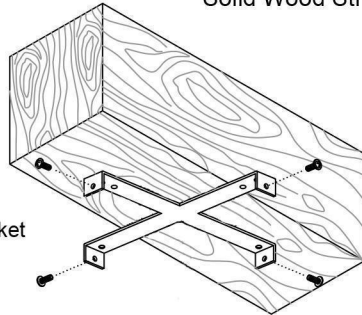
Wood Screw  
(optional)



## Option 2

Solid Wood Structure

OR



Wood Screw



# 2.4G DC Fan Lamp Controller Specifications

## Product Introduction:

This product uses 2.4G wireless digital remote control technology, remote control one-to-one control, simple and convenient operation, strong anti-interference ability.

## Technical Parameters:

Model: 2.4G AC fanlight controller

Wall switch sequence:

full light/white light/yellow light

Input voltage:

AC100V-130V 50/60Hz

Output voltage:DC70-110V

LED output power: 25-36W

Motorrted power:<25W

ed:1-6 gears

hour/2 hours

Recewving method:RF2.4G

Remote control distance: 8-20 meters

Remote control battery:No.7 1.5VX2

## Remote control matching code:

Turn on the power and Press and hold the light pairing key within 5 seconds of the light on,When you hear a beep or a light flashes,the code match is successful.If you need to match the code a second time,you need to wait 30 seconds before turning on the power and repeat the above operation.

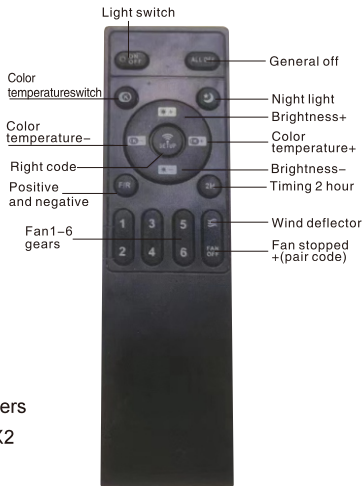
## CAUTION:

The electronic switch is not an isolated product and needs to be operated by professional personnel during

## installation

The dlectronic switch is triggered by the remote control,and the wireless frequency of the remote control transmitter Is

**2.4GHz.**



M/P APP