

BENTWOOD LEISURE CHAIR

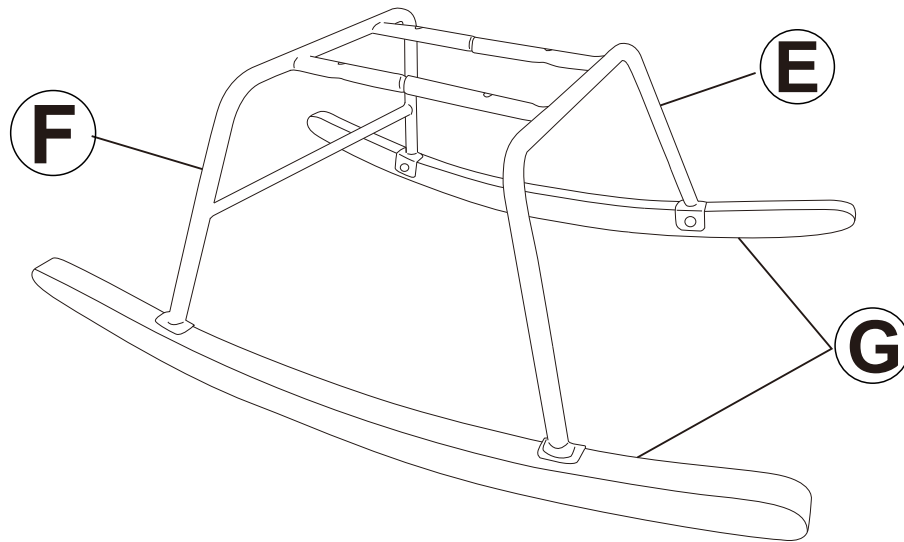
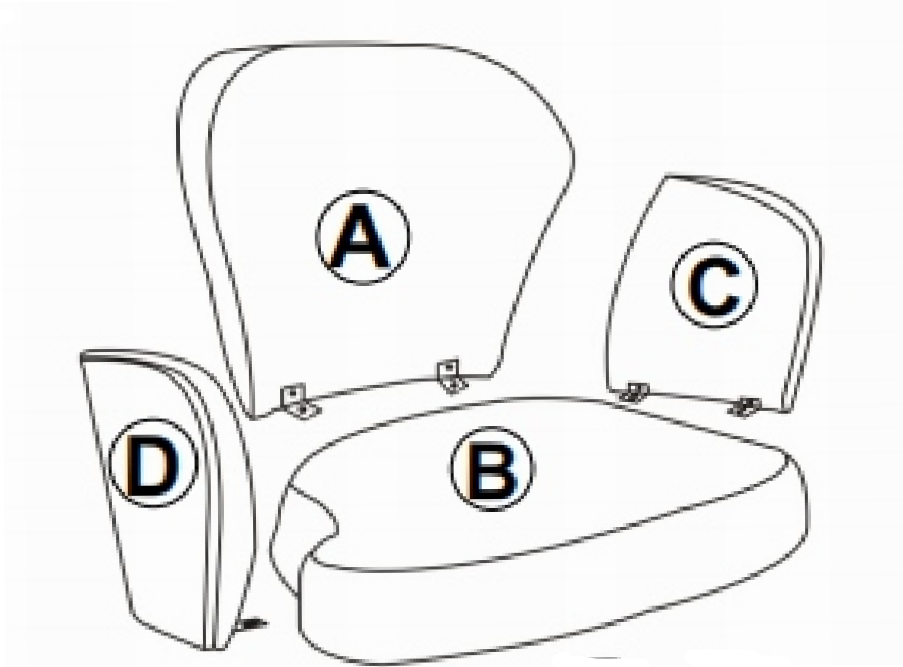
Assembly Instruction



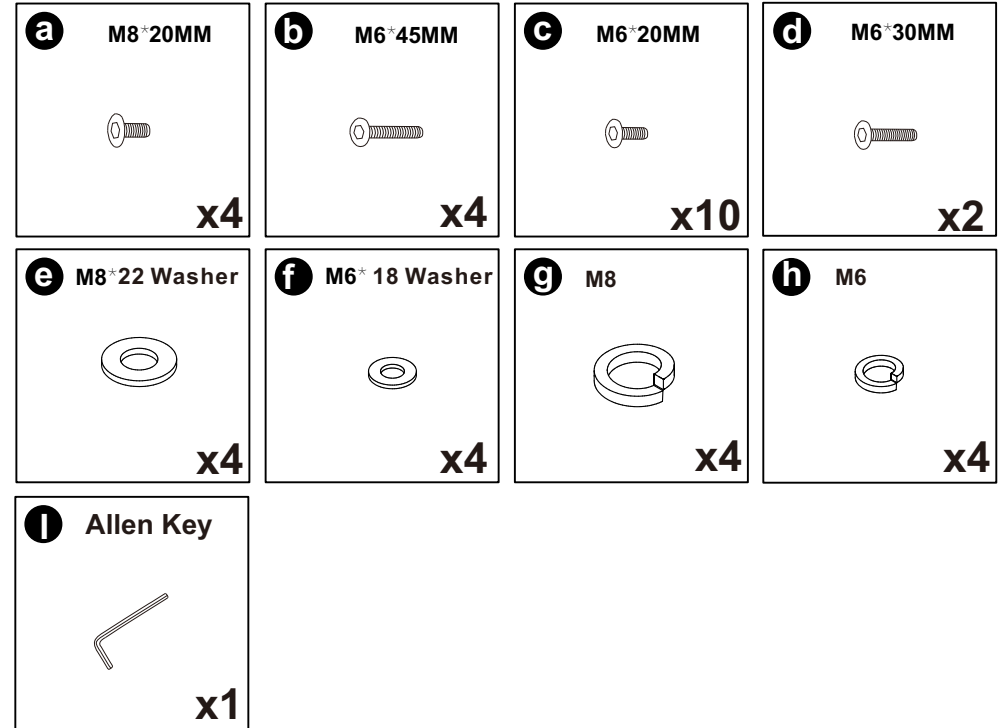
Dear Customers,

Thank you for purchasing our product. Please read this instruction manual carefully after receiving this product. It will help you assemble this product quickly, safely and correctly. You can keep this manual for future reference.

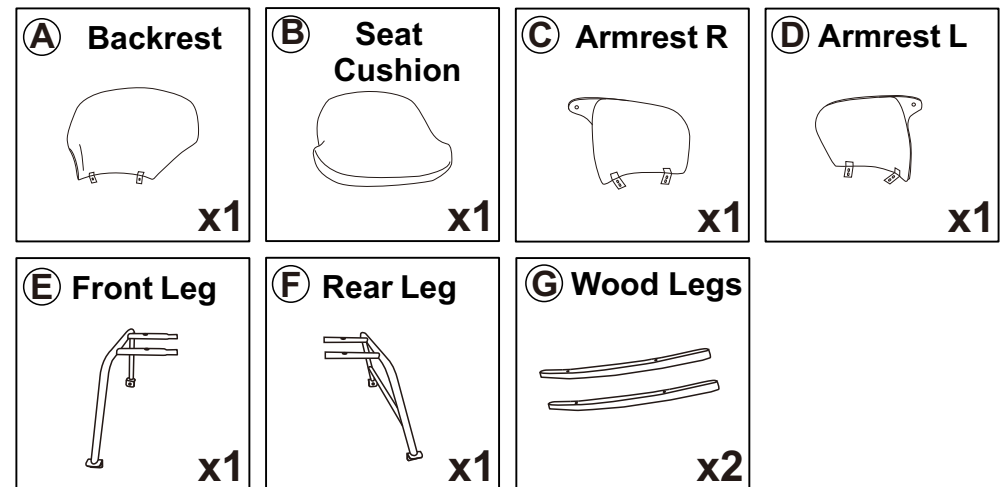
CHAIR



Hardware parts



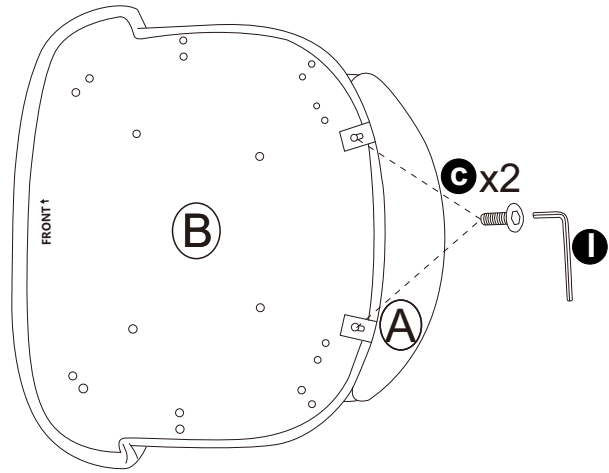
Main structure accessories



Kind Reminder;

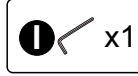
- *Due to the size of our product, it would be easier to assemble it with your partner together.
- *Lubricate all parts and tighten all bolts every 6 months or whenever needed.

STEP 1

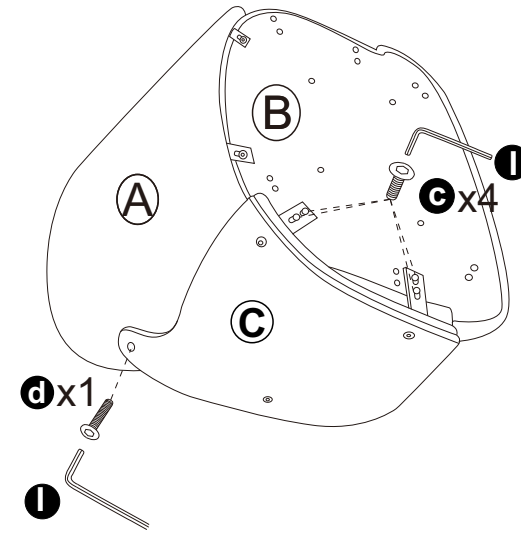


Note:

1. Insert 2x screws **C** halfway.
2. Tighten each screw individually to 100% tightness.



STEP 2

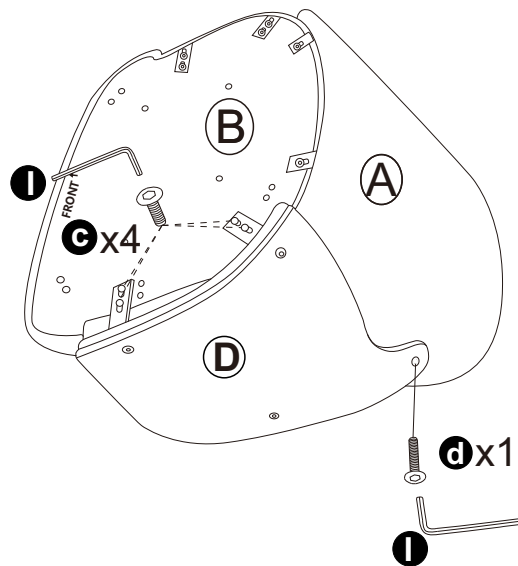


Note:

1. Insert 4x screws **C** and 1x screw **d** halfway.
2. Tighten each screw individually to 100% tightness.



STEP 3

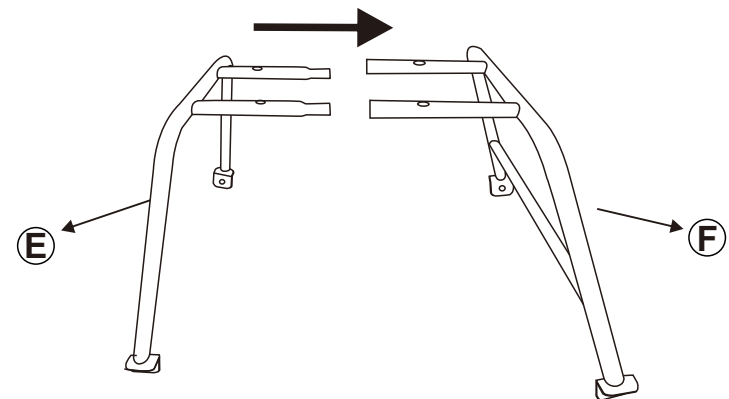


Note:

When you screw all the **C** and **d**, you could tighten 100% of all screws.



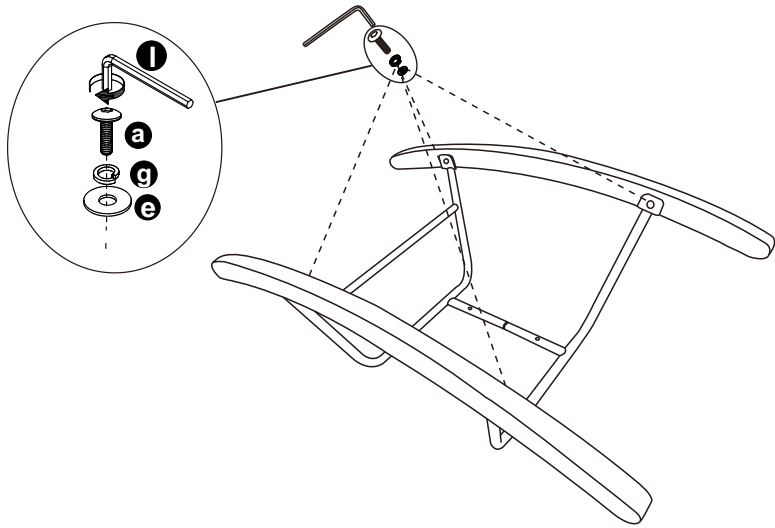
STEP 4



Note:

Please kindly note that Leg **E** is towards "Front" direction, and Leg **F** is towards "Rear" direction. Please insert **E** into **F** to combine them together.

STEP 5



a x4

e x4

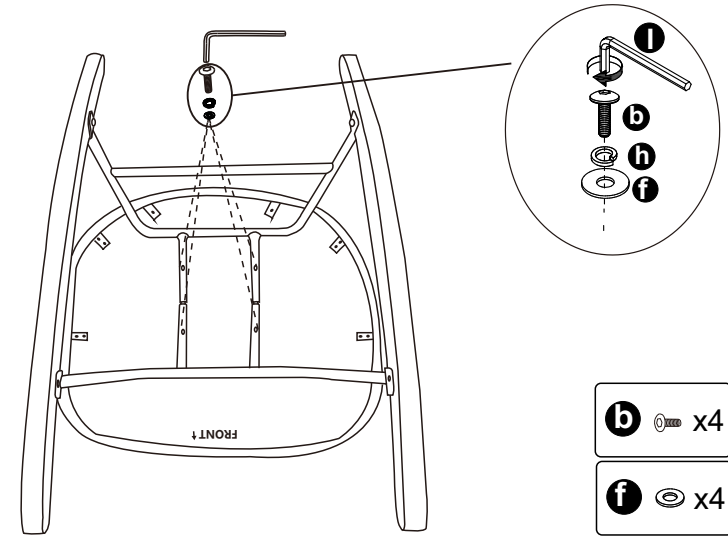
g x4

l x1

Note:

1. Insert 4x screws **a** halfway.
2. Tighten each screw individually to 100% tightness.

STEP 6



b x4

f x4

h x4

l x1

Note:

1. Insert 4x screws **b** halfway.
2. Tighten each screw individually to 100% tightness.

STEP 7

