

OWNER'S MANUAL

**MANUAL RETRACTABLE
AWNING**

Table of Contents

I. Safely Guidelines	03
II. Preparation	04
III. Part List	05
IV. Parts Exploded View	07
V. Assembly Steps	08
VI. Return / Replacement Policy	16
VII. Warranty Disclaimer	18

o Purchaser's Agreement

By accepting delivery of this product, you promise that you will not change, alter, or modify this product or remove or render inoperable or unsafe any guards, shields or other safety features of this product.

You will not refuse or neglect any retrofit kits that may provide to enhance and preserve the safe use of this product.

with the mission of "bringing more convenience to family and travel life", the vision of "becoming the first choice and trusted brand of customers in outdoor series", and the core value of "providing high-quality and high-standard outdoor products", awakens people pay attention to the outdoor garden life itself, extend the time to play with family and partners in the outdoor garden, and enjoy a healthier and more comfortable life.

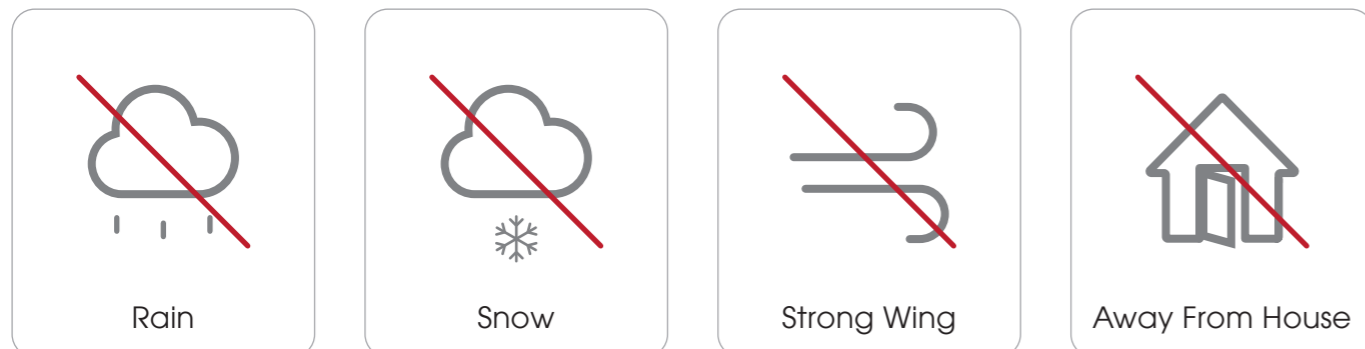
Please read, understand, and follow this user manual before assembling and using. Save this manual for future reference. It's the responsibility of the user for potential risks of injuries due to inappropriate use not obeying safety instructions in this manual.

I. Safely Guidelines

⚠ WARNING For your own safety, please strictly follow the instructions in this manual, otherwise personal injury may result!

Before you proceed, please read the following safety precautions:

- Due to the strong elasticity of the umbrella arms, please tie the umbrella arms together when assembling the umbrella arms. Do not stand facing the front of the awning when cutting the strap between the arms. Hold on tight and slowly stretch until fully open.
- The product is bulky and heavy, requiring two adults to carry and install it. Please use all screws and nuts correctly during installation, it is very dangerous if loosened.
- Do not place, hang or stand objects or people on the awning. Doing so may damage the awning or cause serious personal injury, even death in extreme cases.
- Do not install it in a high place, a windy place, a place with vibration or impulse, and a high-temperature place such as a wall near the furnace. Never use it for any purpose other than that suggested. Be careful with your fingers when installing.
- Do not open the awning under the following circumstances:



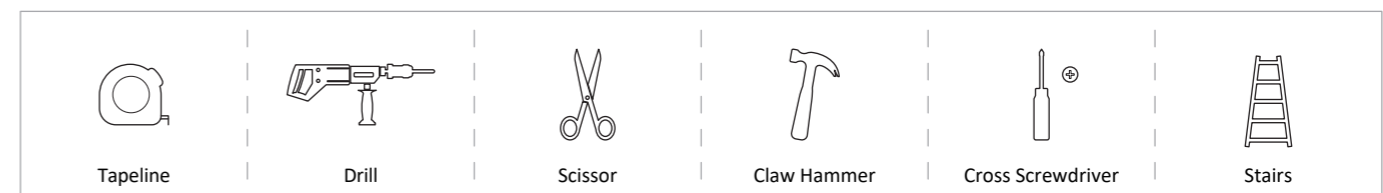
II. Preparation

- Before you start, check the condition and quantity of all parts according to the parts list.

⚠ WARNING Do not remove the safety wrapping that holds the awning arms in place. Premature removal of the protective tape may cause the curved arm to pop open and cause serious injury.

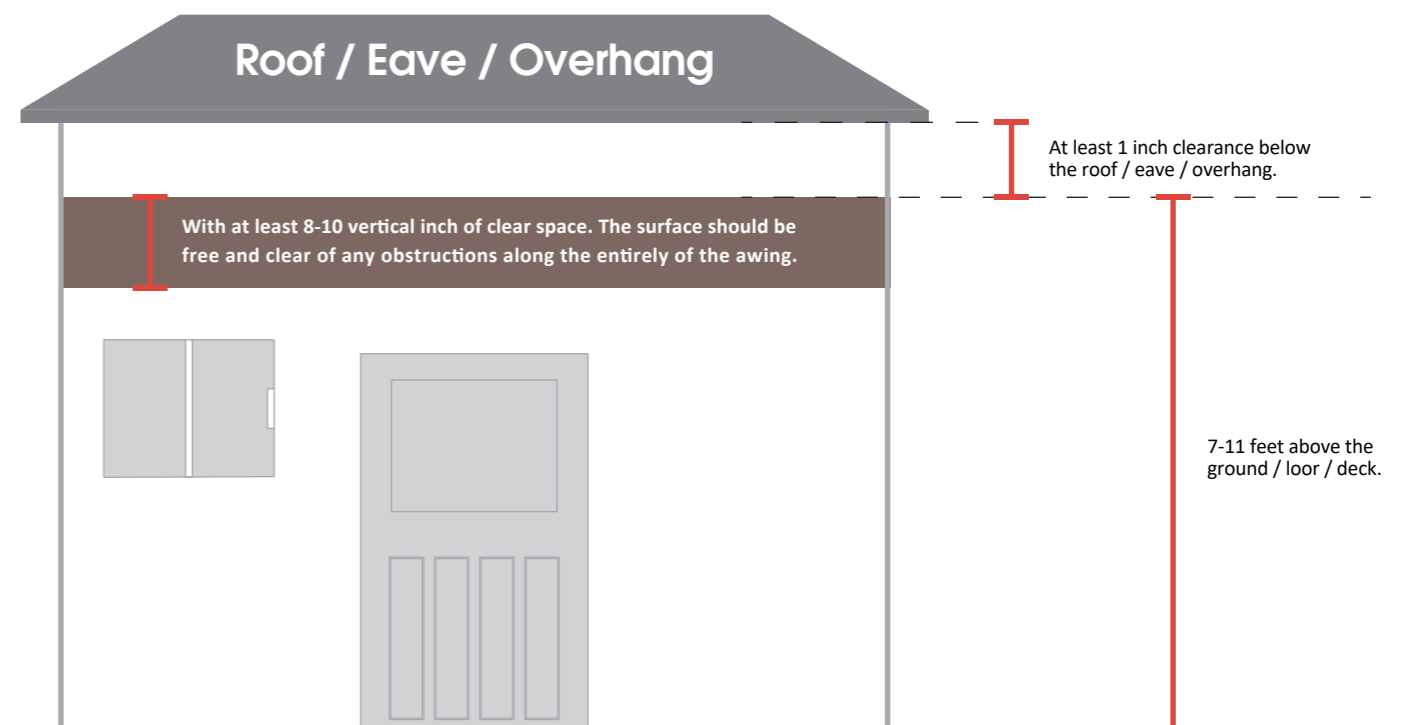
The diagram shows two views of the awning arms. Red vertical bars represent the safety wrapping that should remain on the arms.

- Please prepare all the necessary tools.



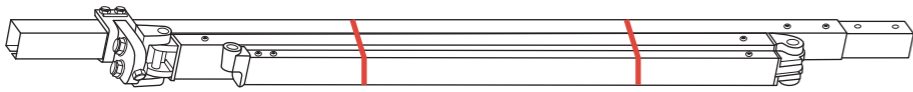
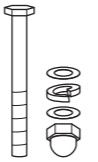
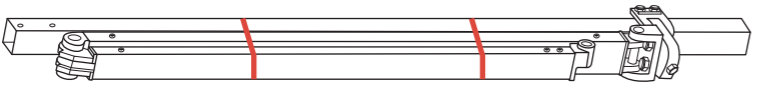
Determine where to install your Awning?

- Reference Location:

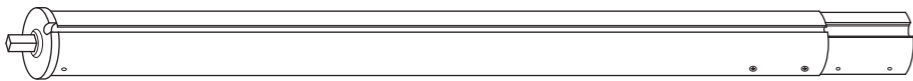

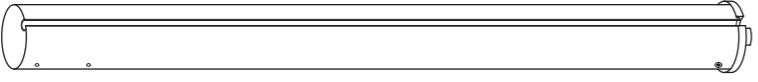



III. Part List

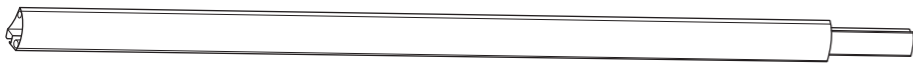



Torsion Bar

<p>A-1</p>  <p>Torsion Bar with Arm (left) x1</p>	<p>D</p>  <p>Torsion Bar Screw x2 +1</p>
<p>A-2</p>  <p>Torsion Bar with Arm (right) x1</p>	


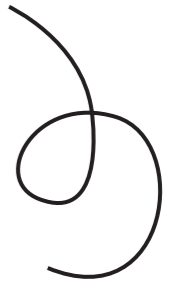
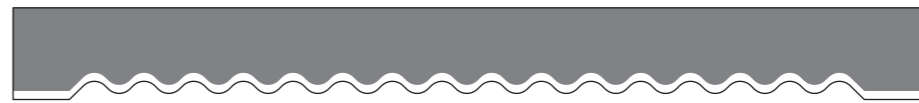
Roller

<p>B-1</p>  <p>Roller (left) x1</p>	<p>E-1</p>  <p>Left Roller Support x1</p>
<p>B-2</p>  <p>Roller (right) x1</p>	<p>E-2</p>  <p>Right Roller Support x1</p>

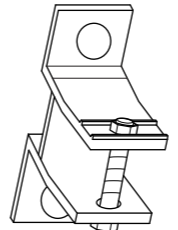

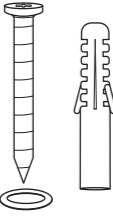
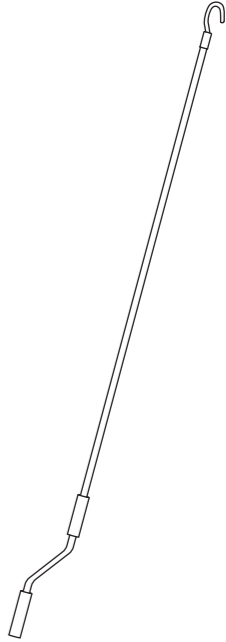
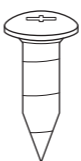
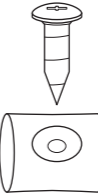
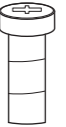
Front Bar

<p>C-1</p>  <p>Front Bar (left) x1</p>	<p>F</p>  <p>Arm Link x2</p>
<p>C-2</p>  <p>Front Bar (right) x1</p>	<p>G</p>  <p>Plastic Cover of Front Bar x2</p>

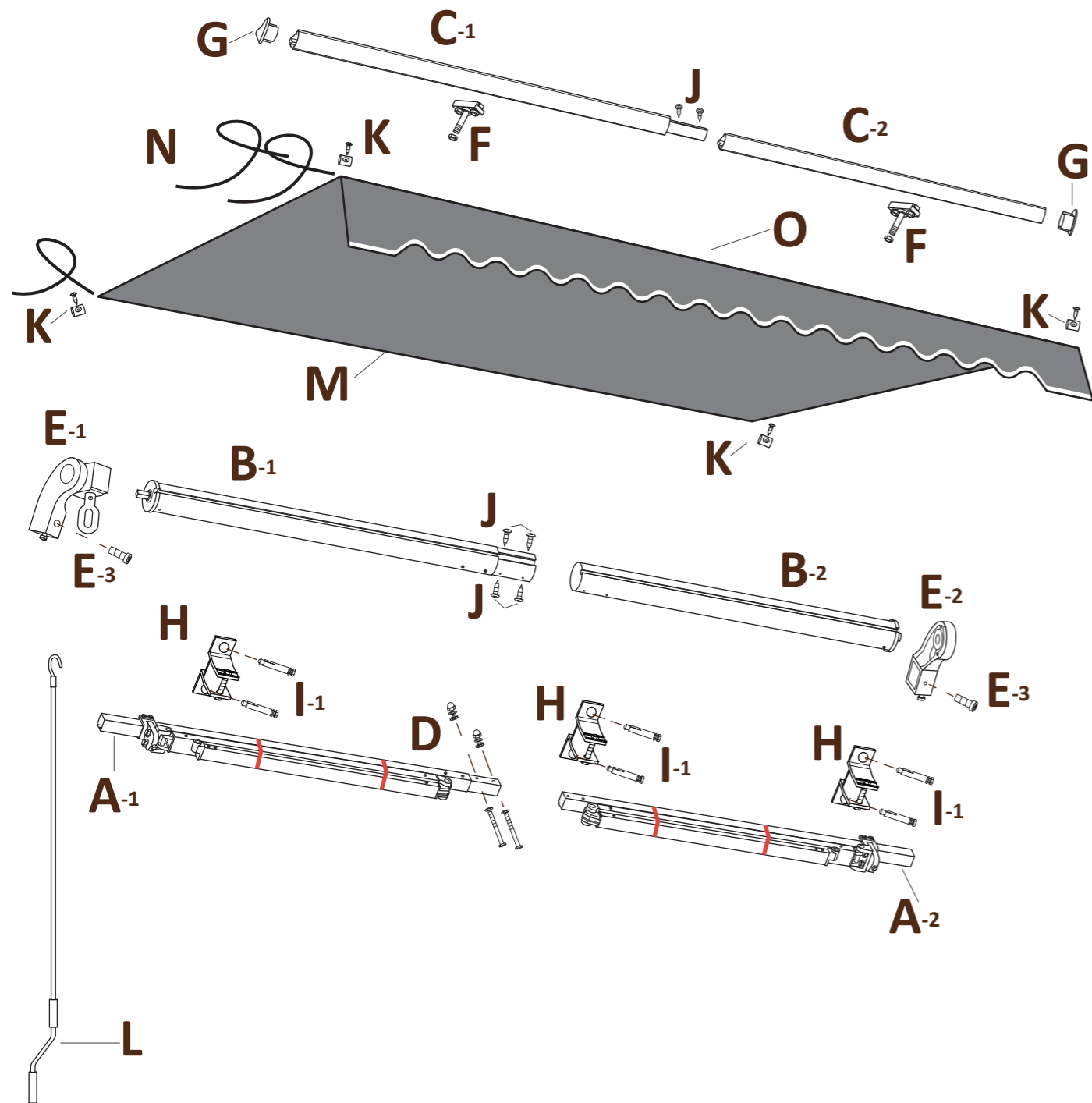
Fabric

<p>M</p>  <p>Fabric x1</p>	<p>N</p>  <p>Fabric Guiding Wire x3</p>
<p>O</p>  <p>Valance x1</p>	

Other Accessories

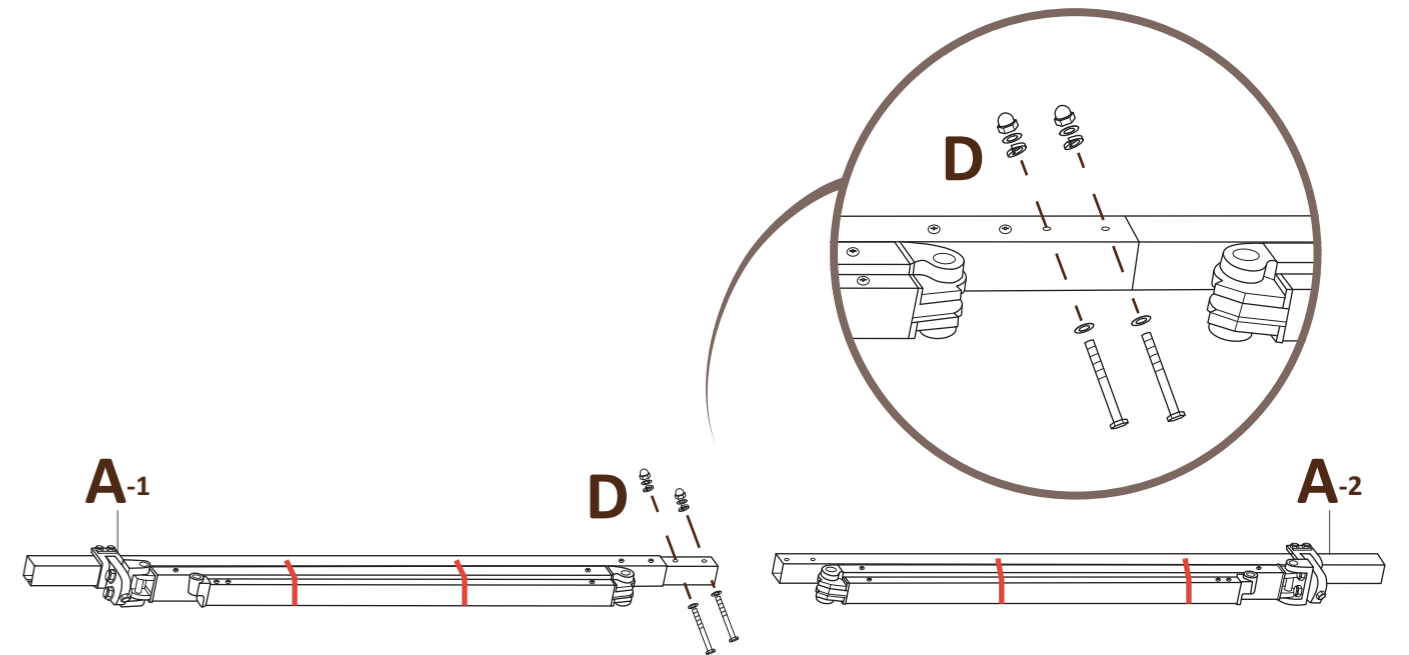
<p>H</p>  <p>Wall Bracket Set x3</p>	<p>I-1</p>  <p>Expansion Bolts x6 +1</p>	<p>I-2</p>  <p>Wood Screw x6 +1</p>	<p>L</p>  <p>Hand Crank x1</p>
<p>J</p>  <p>Roller & Front Bar Screw x8 +1</p>	<p>K</p>  <p>Small Fabric Plug x4 +1</p>	<p>E-3</p>  <p>Roller Support Screw x2 +1</p>	

IV. Parts Exploded View

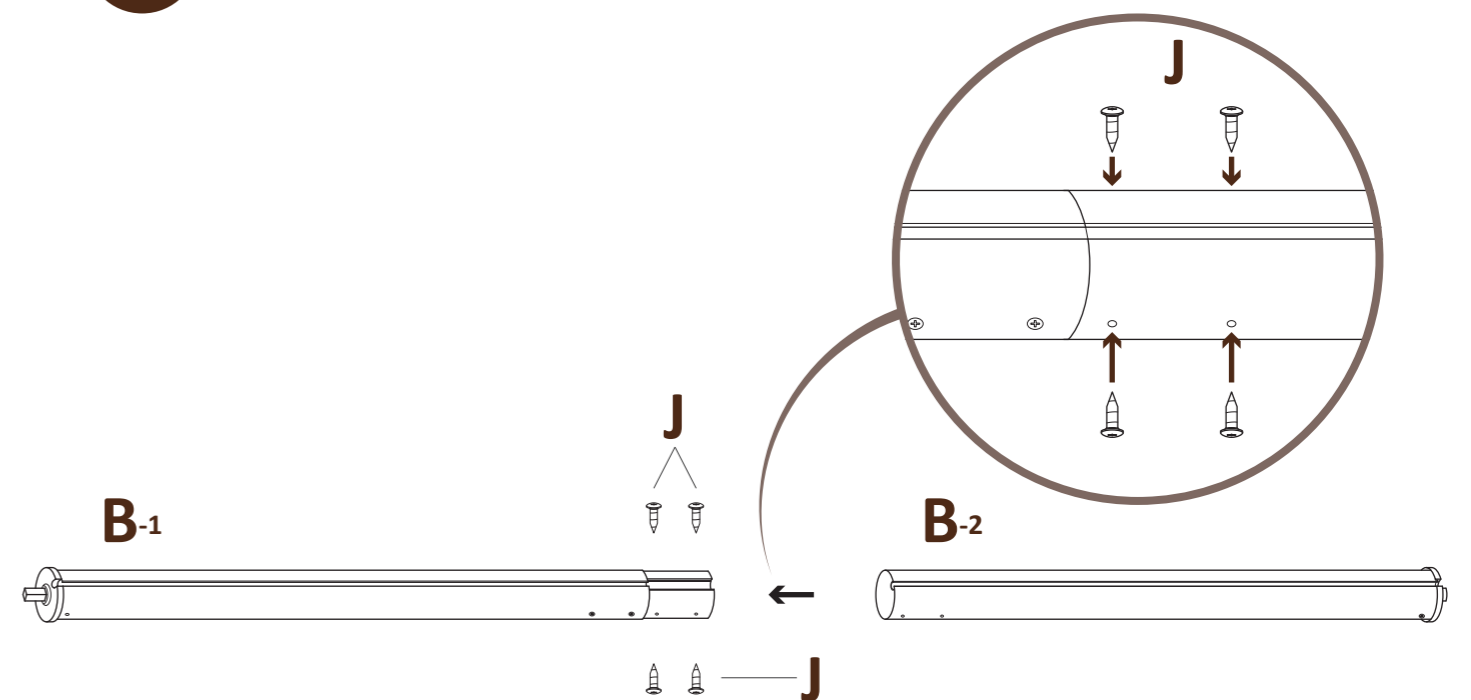


V. Assembly Steps

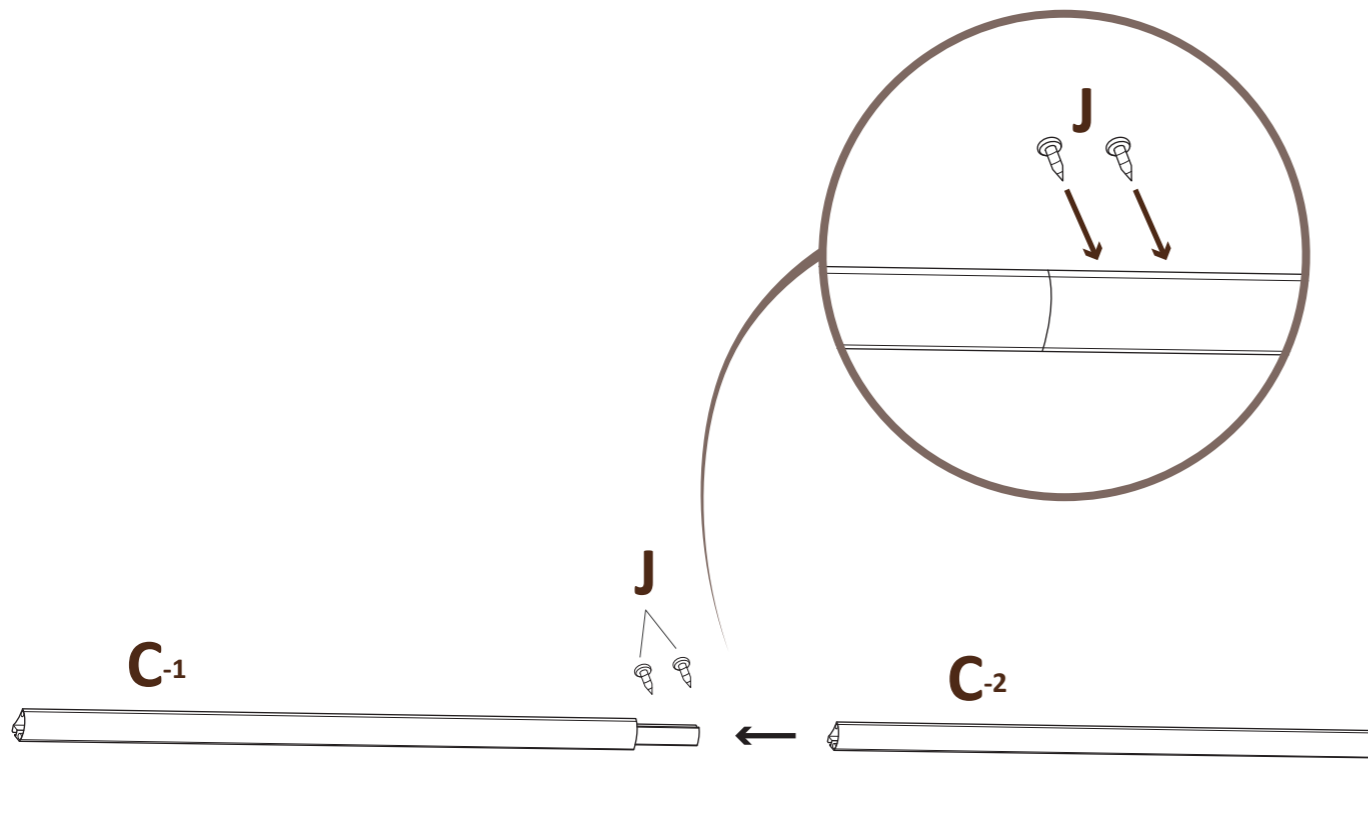
- 1 Fix left & right Torsion Bar with Arm (#A-1,#A-2) by Screws (#D).



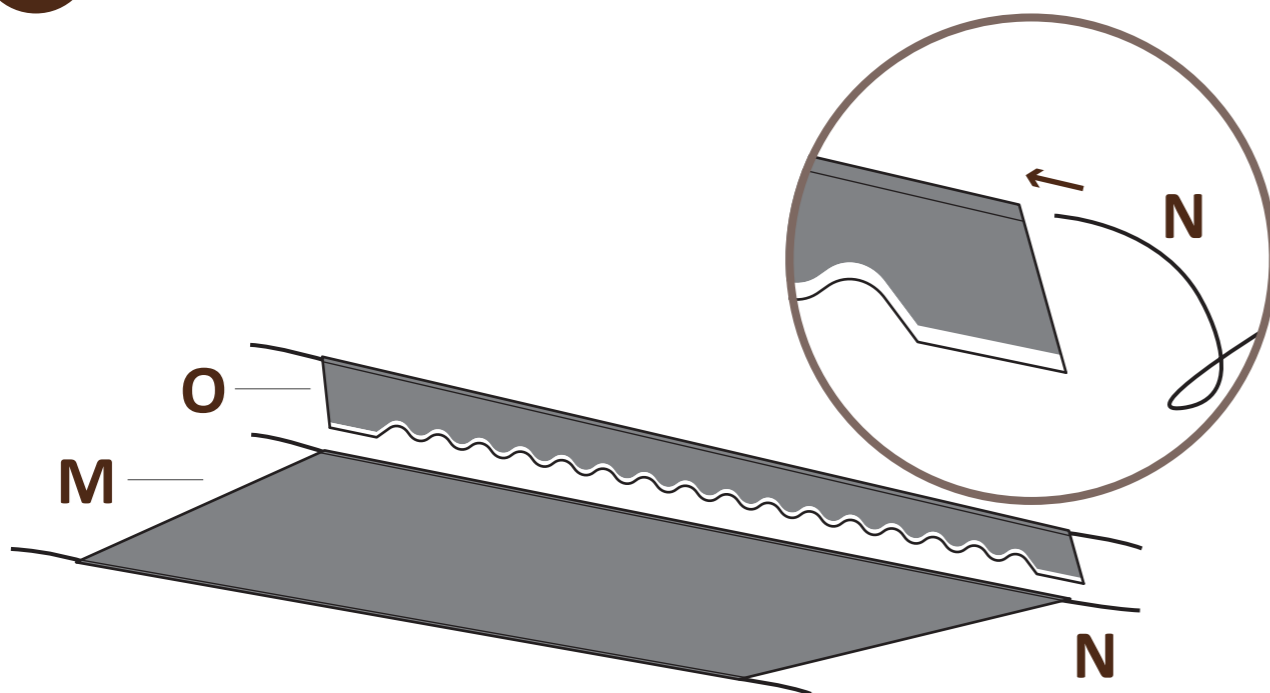
- 2 Connect left with right Roller (#B-1,#B-2) by Screws (#J).



3 Connect left with right Front Bar (#C-1,#C-2) by Screws (#J).

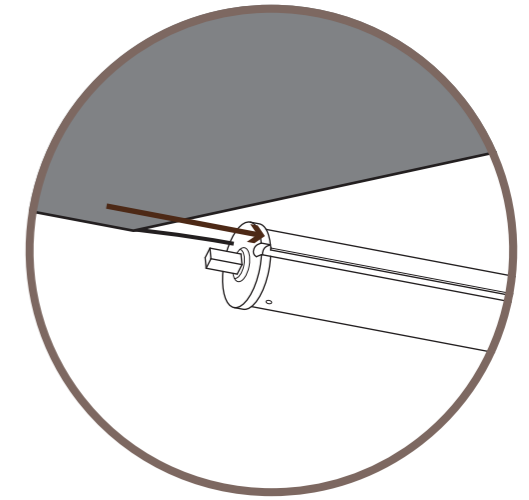


4 Thread three Guiding Wires (#N) through both ends of the large Fabric (#M) and side of Valance (#O).



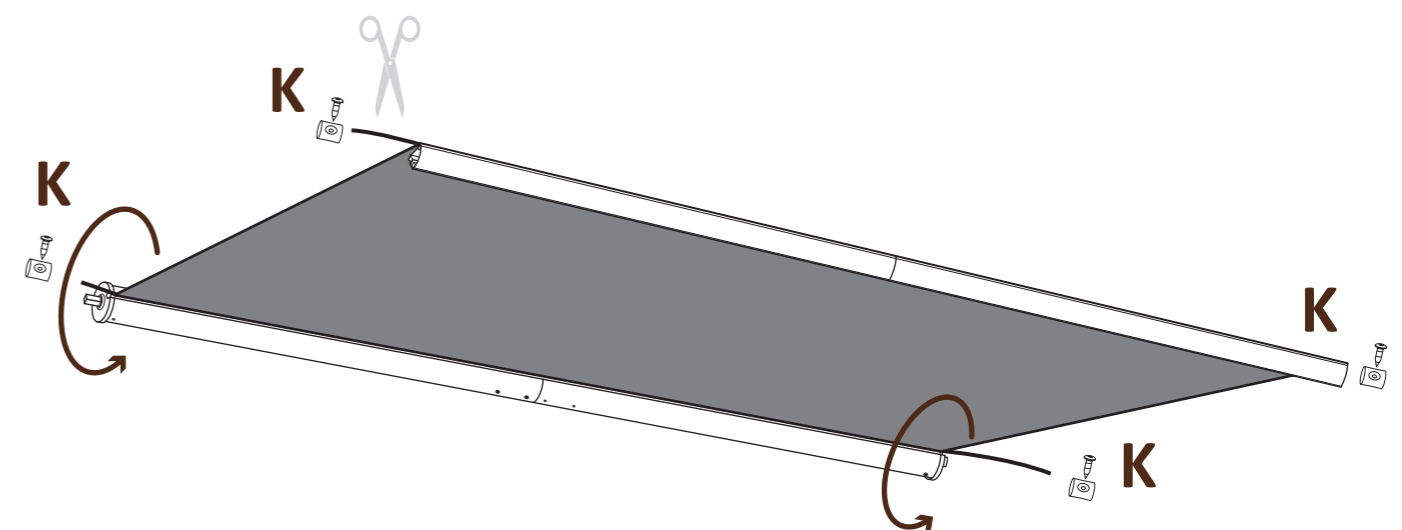
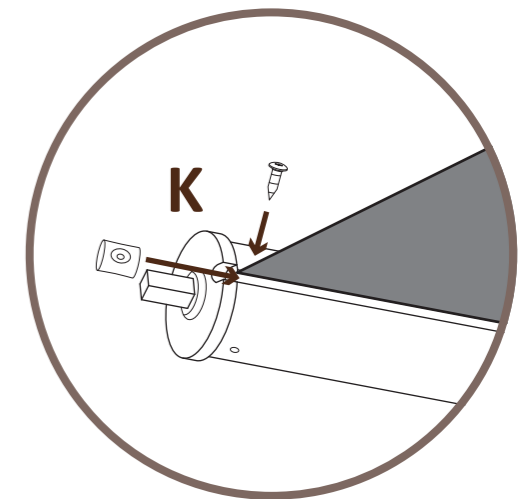
5 Install the Fabric.

(1). Pass two sides of Fabric (#M) which wearing Guiding Wires (#N) through the slot of long round Roller and Front Bar. Cutting off excess threads.

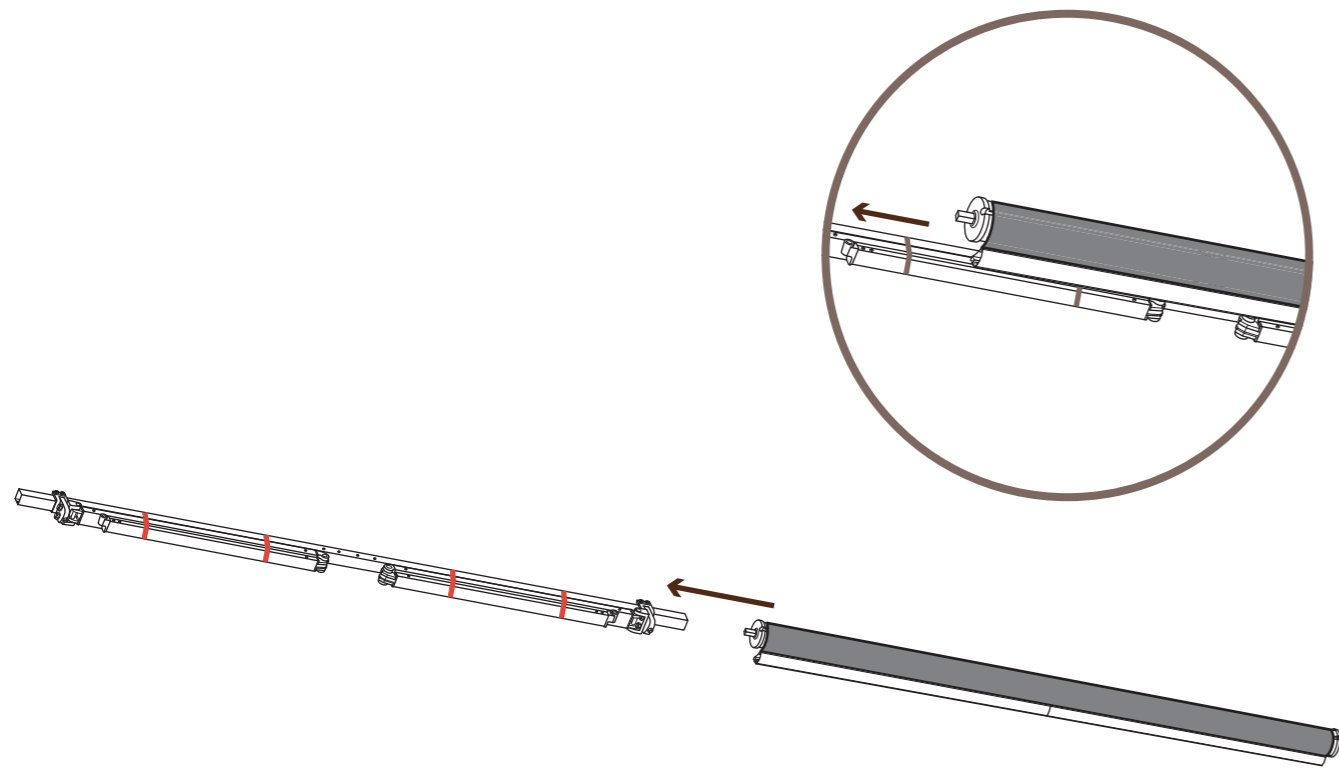


(2). Insert Fabric Plug (#K) respectively into two ends of Roller and Front Bar.

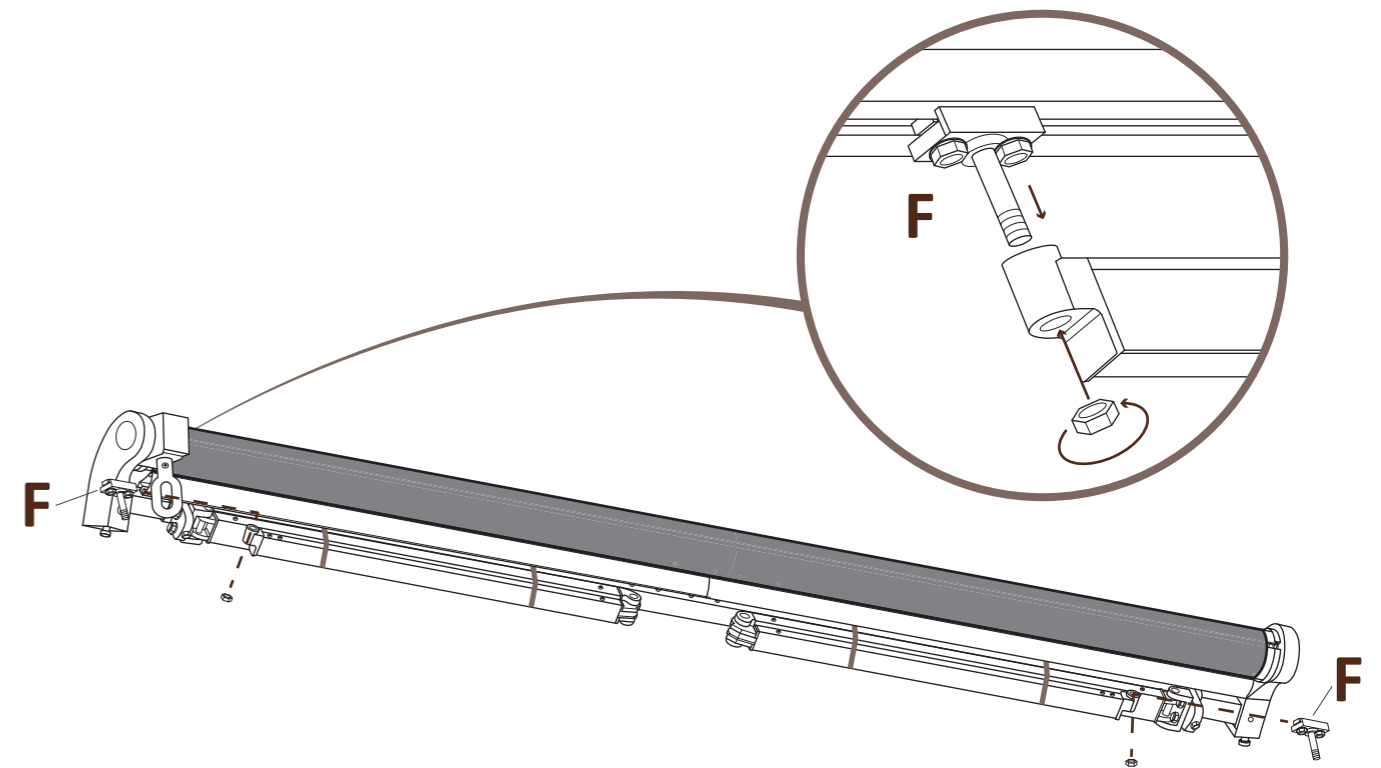
Then Rotate Roller counterclockwise so that Fabric (#M) is evenly wound around Roller.



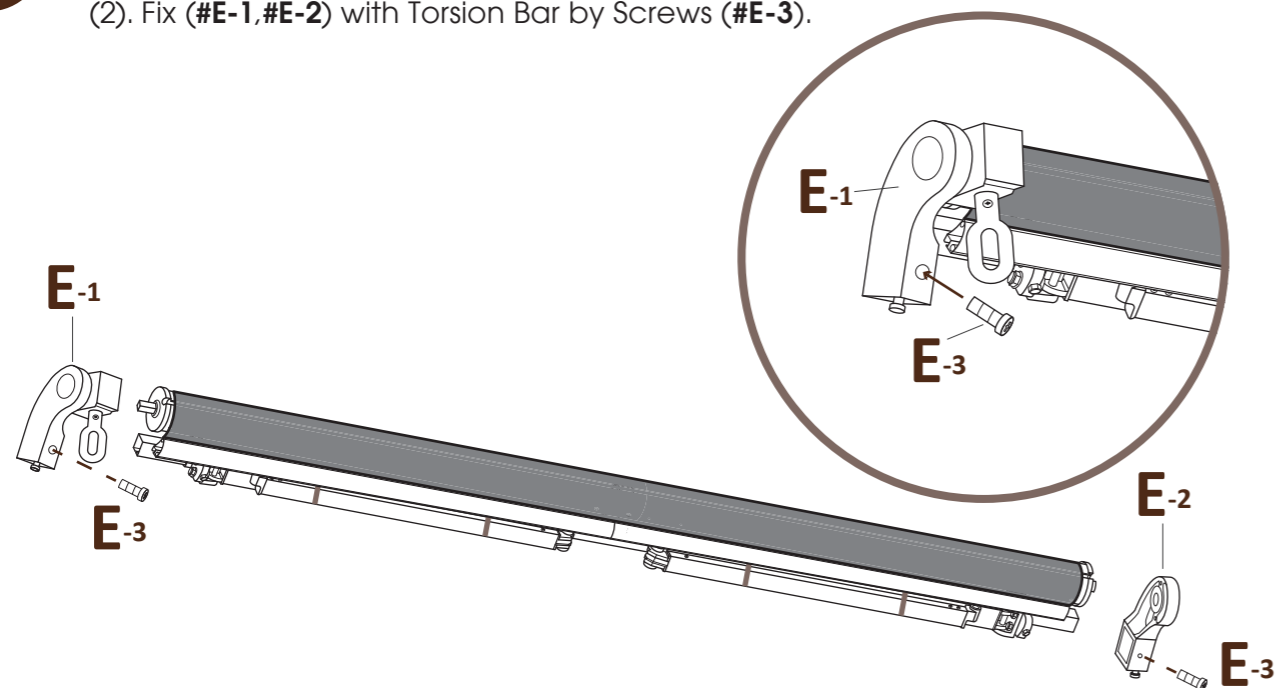
6 Sleeve rolled Roller from **step 5** with Torsion Bar from **step 1**.



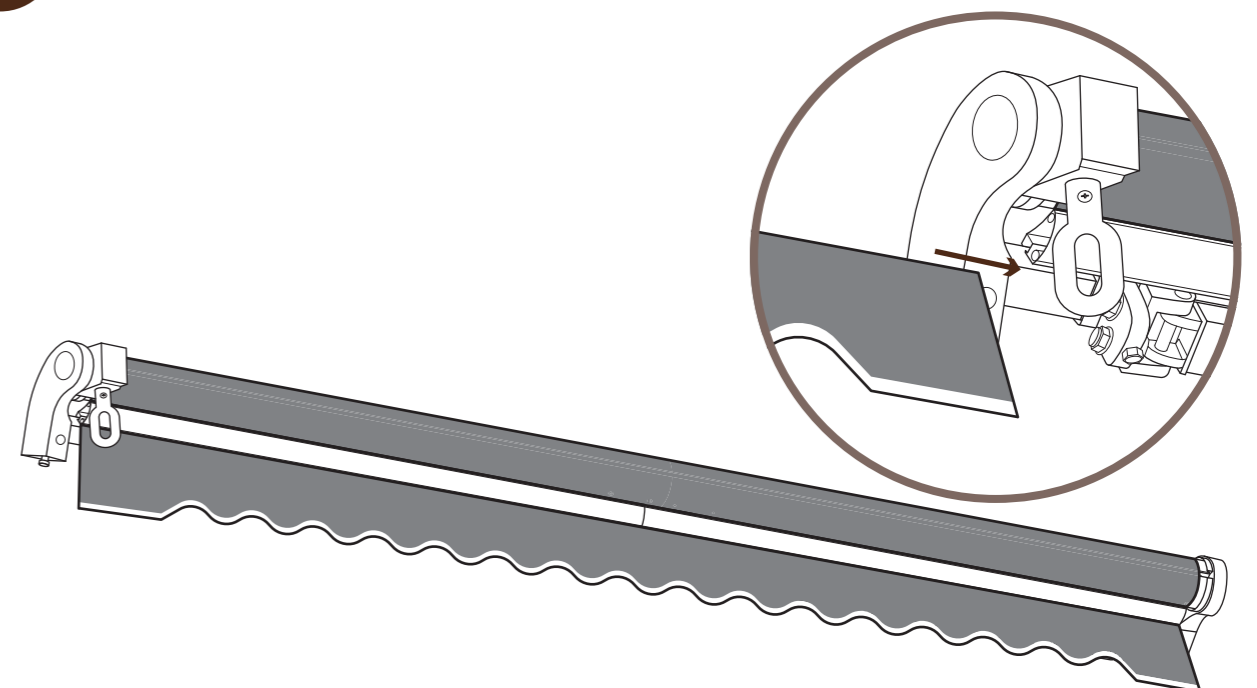
8 Slide the Arm Link (**#F**) into each end of Front Bar, then insert (**#F**) into holes in Torsion Bar.
Note: (1). If it is not good to slide in, you can loosen the two short screws a little.
 (2). Please tighten screws at the bottom of (**#F**).



7 **Connect Roller with Torsion Bar.**
 (1). Sleeve Left & Right Roller Support (**#E-1, #E-2**) with two ends of Roller and Torsion Bar.
 (2). Fix (**#E-1, #E-2**) with Torsion Bar by Screws (**#E-3**).

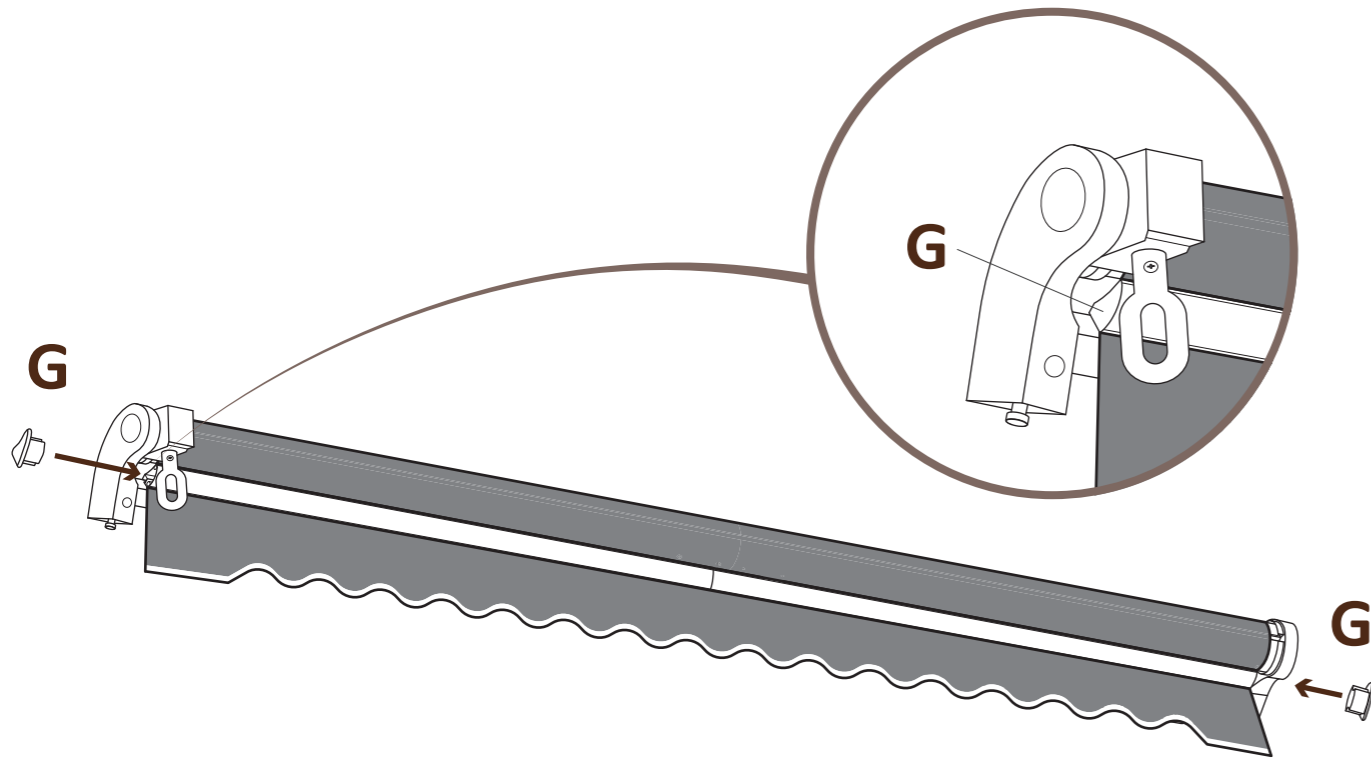


9 Thread (**#O**) with (**#N**) through the other slot of Front Bar.



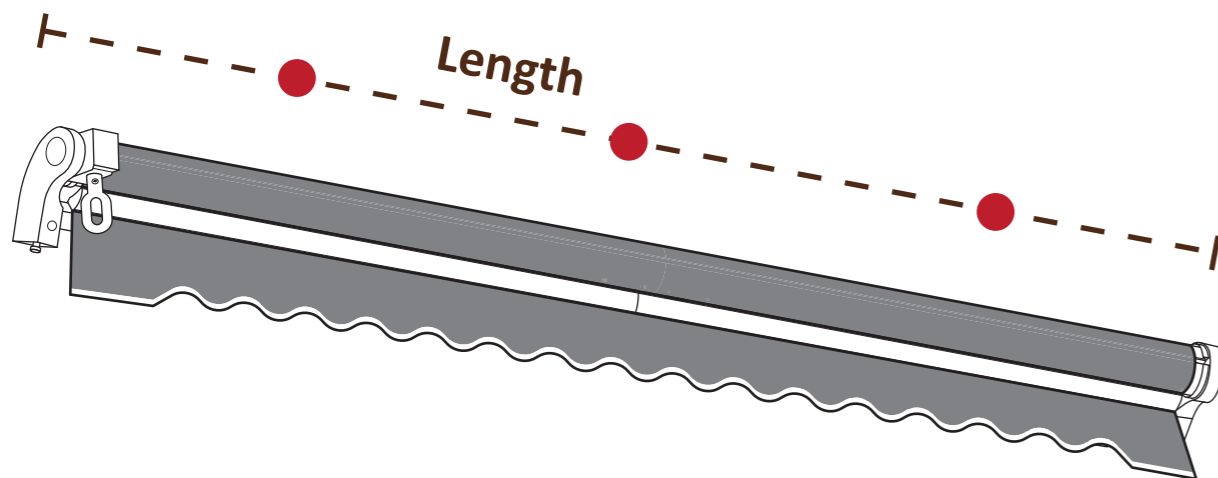
10

Put Plastic Cover (#G) on ends of Front Bar.



11

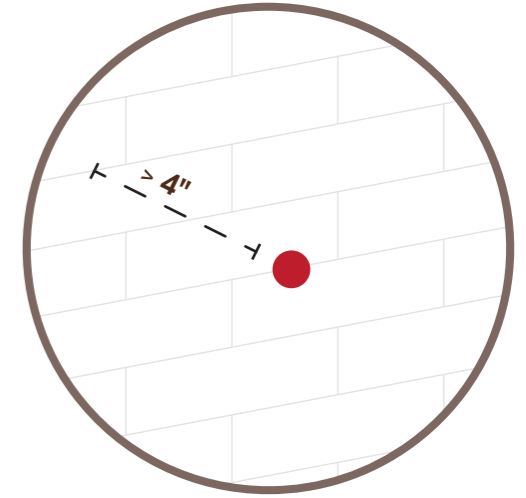
Measure the total length of the canopy "Length".
Divide the total length roughly into four segments (find three points).



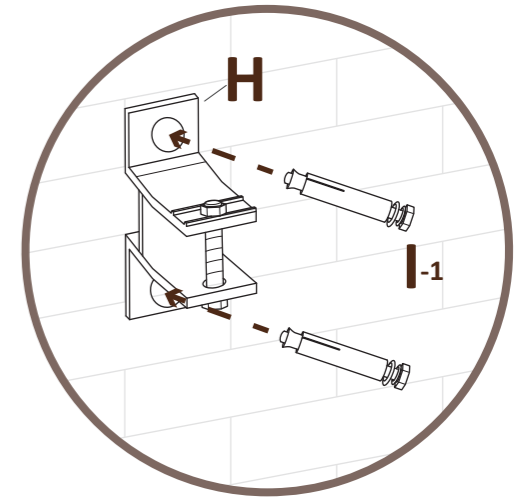
12

Mounting on the Wall:

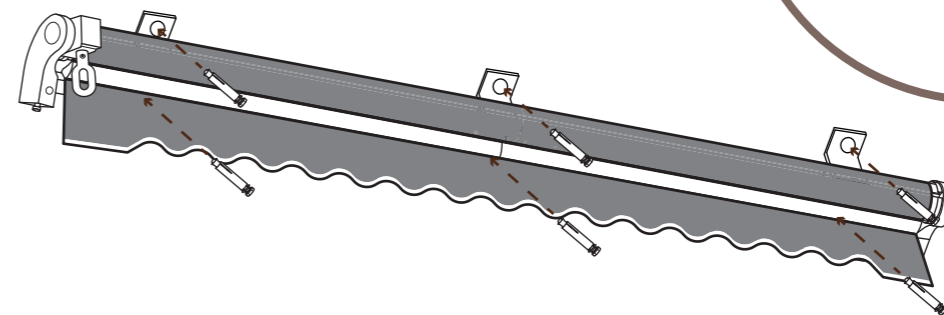
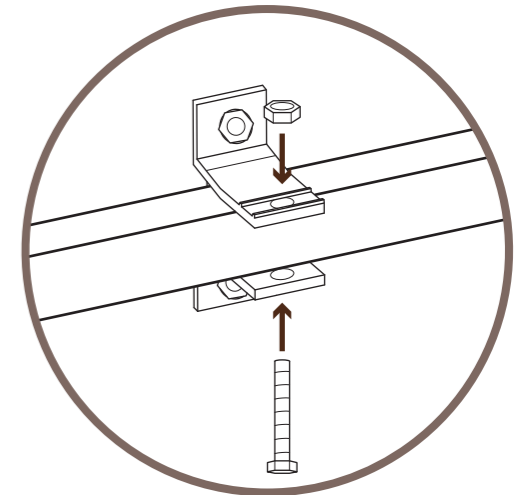
(1). Drill holes in the wall with a 0.55 inches diameter drill bit, please pay attention to the deep of hole that should not be less than 4 inches.



(2). Secure the Wall Bracket (#H) with Expansion Bolts(#I-1) / Wood Screw (#I-2).



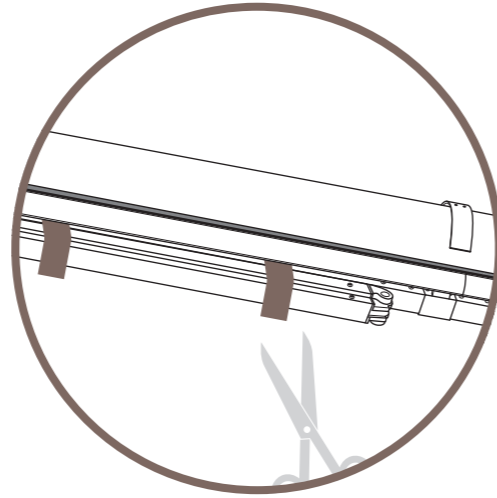
(3). Sleeve assembled awning on the Wall Bracket (#H), lock the screws and tighten the nuts.



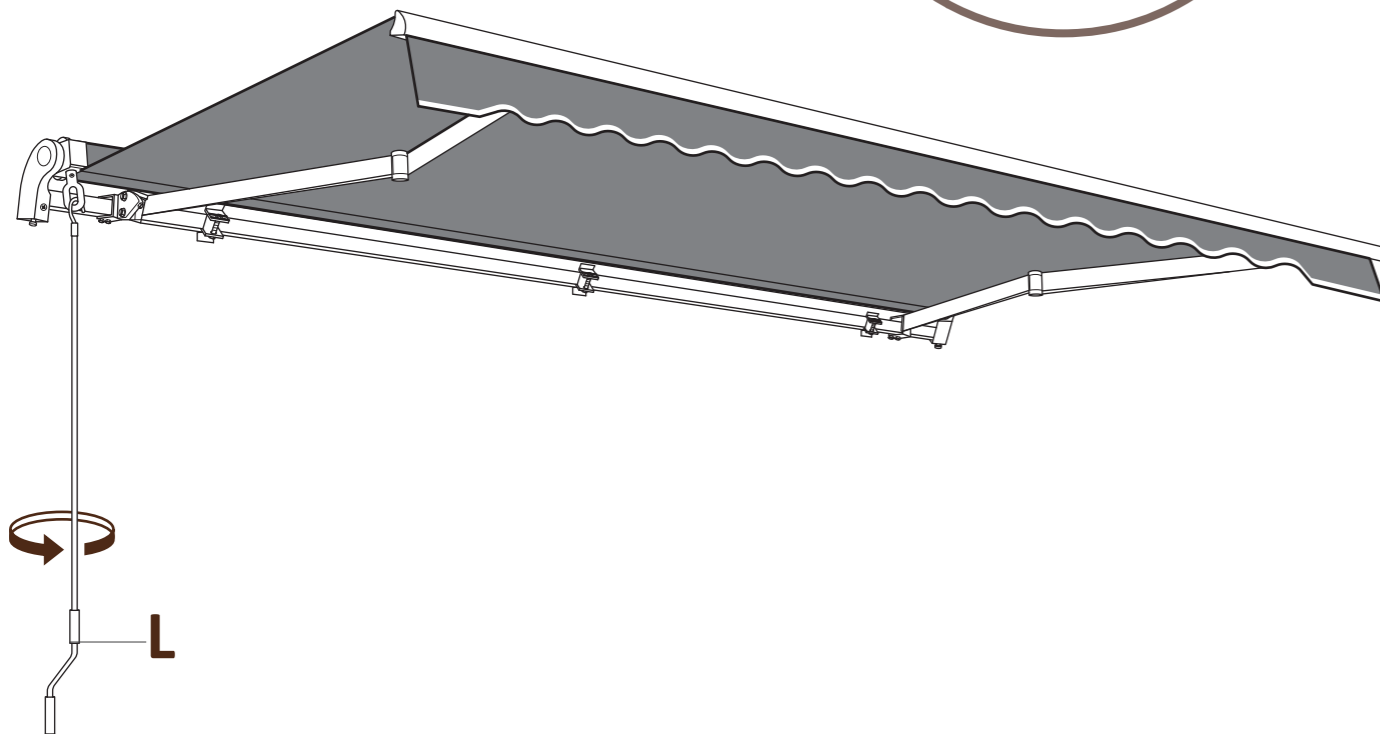
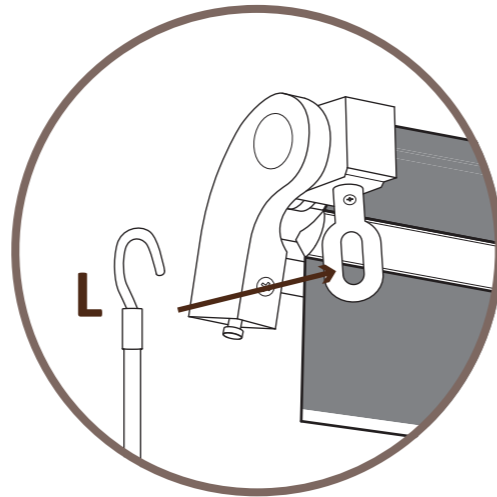
13

Use of Awning.

(1). Cutting the safety packaging of the curved Arm.



(2). Hang the Hand Crank (#L) on the awning hook, and the awning can be retracted by rotating the hand crank handle.



VI. Return / Replacement Policy

■ Notice

Why don't we recommend returning the item by yourself?

- Huge cost- UPS/FedEx oversize fee.
- Need you to take the box to UPS/FedEx facility.

We stand behind our products and want you to be satisfied with them. We'll always do our best to take care of customers, and that's why we offer a straightforward, hassle-free return policy.

Return Process

You have 30 days from the date of purchase to return any item purchased from our store. Please securely pack the item in its original packaging, including any accessories or manuals that came with the product. To initiate a return, please contact our customer service team for any help.

Return Conditions

We accept the return of items that are in new, unused condition, with original tags attached and all original packaging and other components included. Refunds will be issued in the original form of payment for the price of the item, including taxes.

VIII. Warranty Disclaimer

Thank you for your interest in the products and services .

This Limited Warranty applies to physical goods, and only for physical goods,purchased.

What does this limited warranty cover?

This Limited Warranty covers any defects in material or workmanship under normal use during the Warranty Period.

During the Warranty Period, we will repair or replace, at no charge, products or parts of a product that proves defective because of improper material or workmanship,under normal use and maintenance.

How long does the coverage last?

The Warranty Period of Physical Goods purchased from refers to the table below.

A replacement Physical Good or part assumes the remaining warranty of the original Physical Good or 180 days from the date of replacement or repair, whichever is longer.

Awning Frame	★ 1 Year
Awning Fabric	★ 6 Months

This Limited Warranty does not cover any problem that is caused by:

Conditions, malfunctions, or damage not resulting from defects in matetial or workmanship.

To obtain warranty service, you can contact us. Contact us to determine the issue and the appropriate solution for you. Before this you can take some photos of your product and send them to us, so that we can reply to you more quickly and accurately.