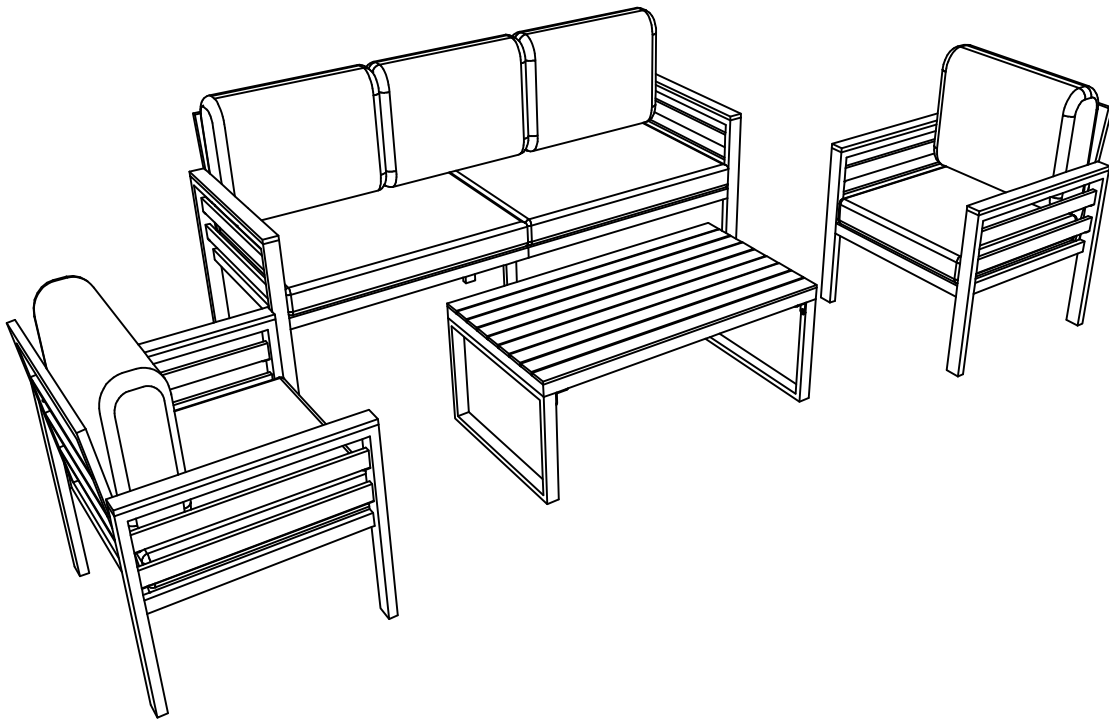


ASSEMBLY INSTRUCTION



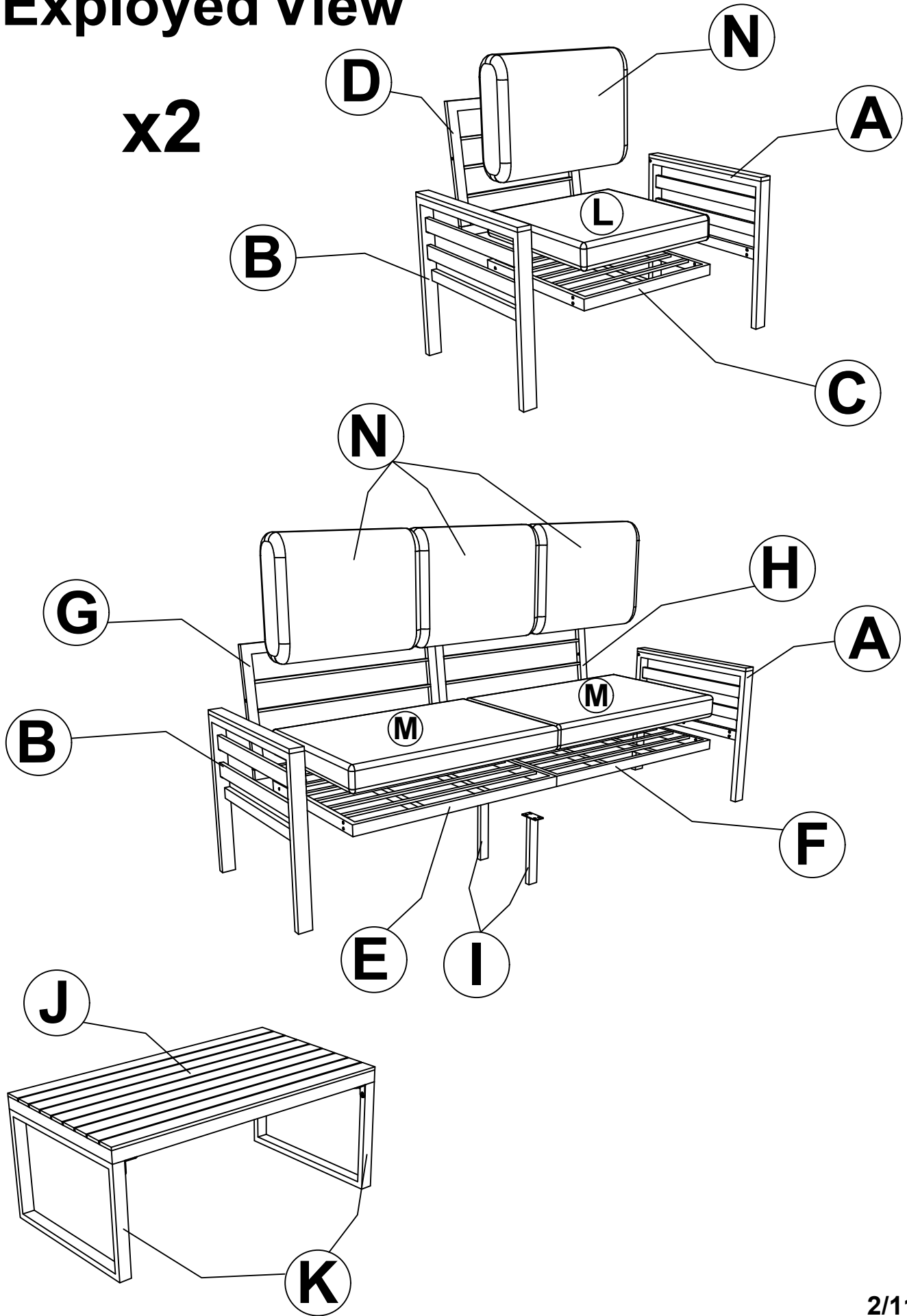
N704P400553 N704P400554 N704P400555

Notice:

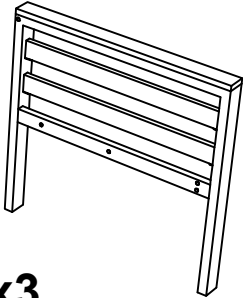
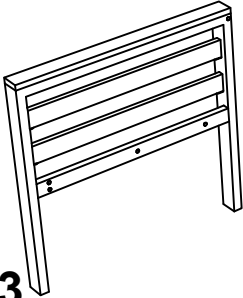
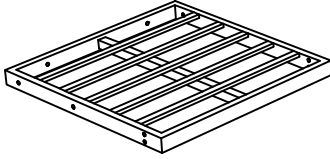
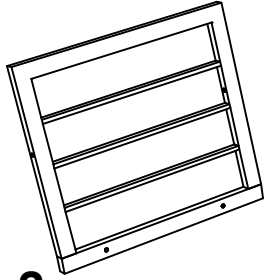
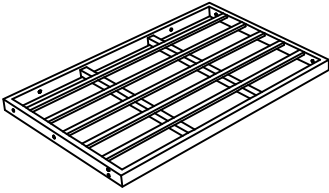
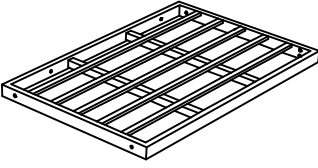
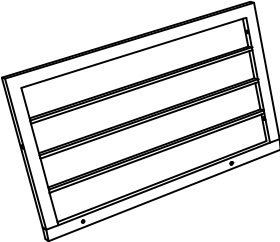
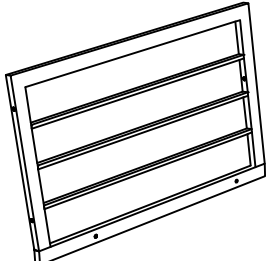
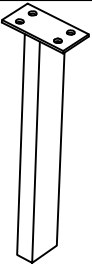
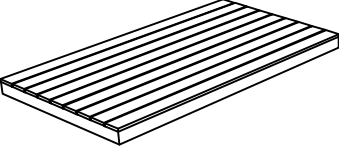
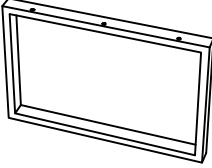
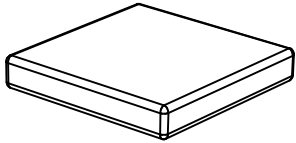
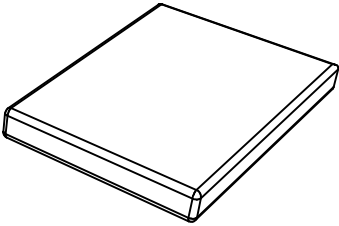
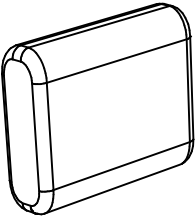
1. 50% Tighten before fixing all screws, Allen wrench is recommended instead of an electric drill.
2. Place the item on a flat ground to adjust and make sure it remains stable.
3. Tighten up all screws with tools gradually.
4. If the screws are not aligned with holes during assembly, please loosen all the other screws to 50% and continue the assembly process.
5. If the item is not stable, please loosen all the screws, adjust it on a flat ground and tighten up all screws again.
6. Note : If one or some screws are fully tightened during assembly, chances are the others will not be aligned with holes. In addition, all the holes are designed to be relatively larger to provide more space for the adjustment of the screws.

Employed View

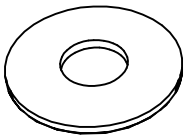

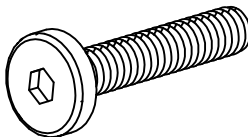
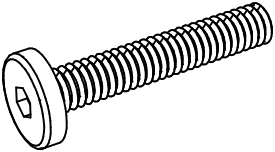
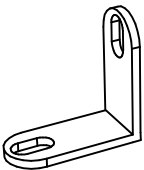

x2



PART LIST

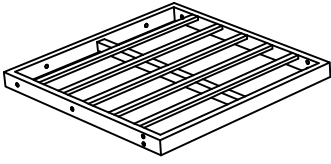
			
Ax3	Bx3	Cx2	Dx2
			
Ex1	Fx1	Gx1	Hx1
			
Ix2	Jx1	Kx2	Lx2
			
Mx2	Nx5		

HARDWARE LIST

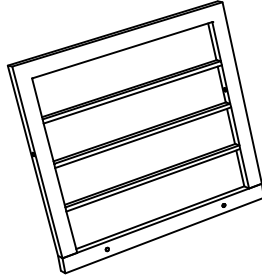
			
1- Washer : 64 pcs Extra : 2 pcs	2- Bolt 6x15: 16 pcs Extra : 2 pcs	3- Bolt 6x35 : 40 pcs Extra : 2 pcs	4- Bolt 6x55 : 8 pcs Extra : 1 pc
			
5- Bracket: 4 pcs	6- Allen key : 2 pcs		

CARTON CONTENT :

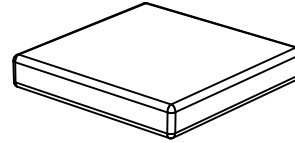
N704P400553 :



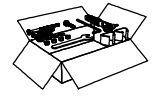
Cx2



Dx2

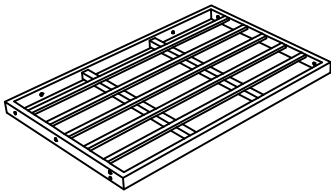


Lx2

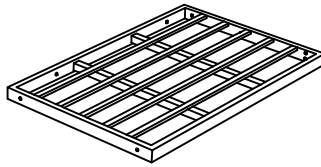


Hardware

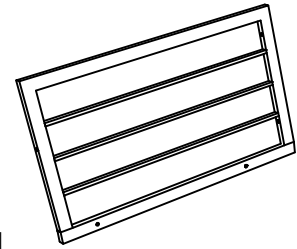
N704P400554 :



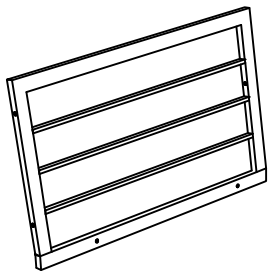
Ex1



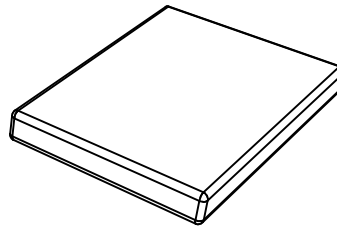
Fx1



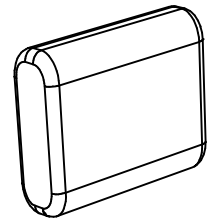
Gx1



Hx1

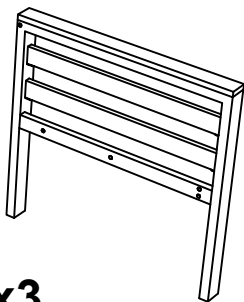


Mx2

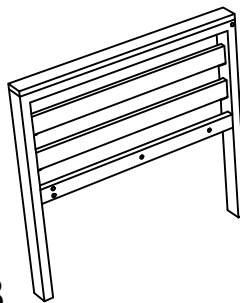


Nx2

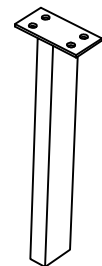
N704P400555 :



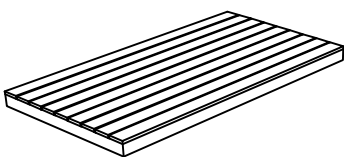
Ax3



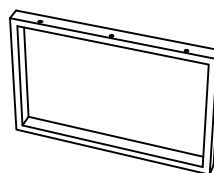
Bx3



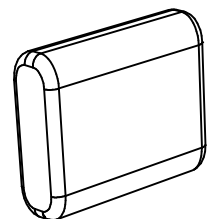
lx2



Jx1



Kx2

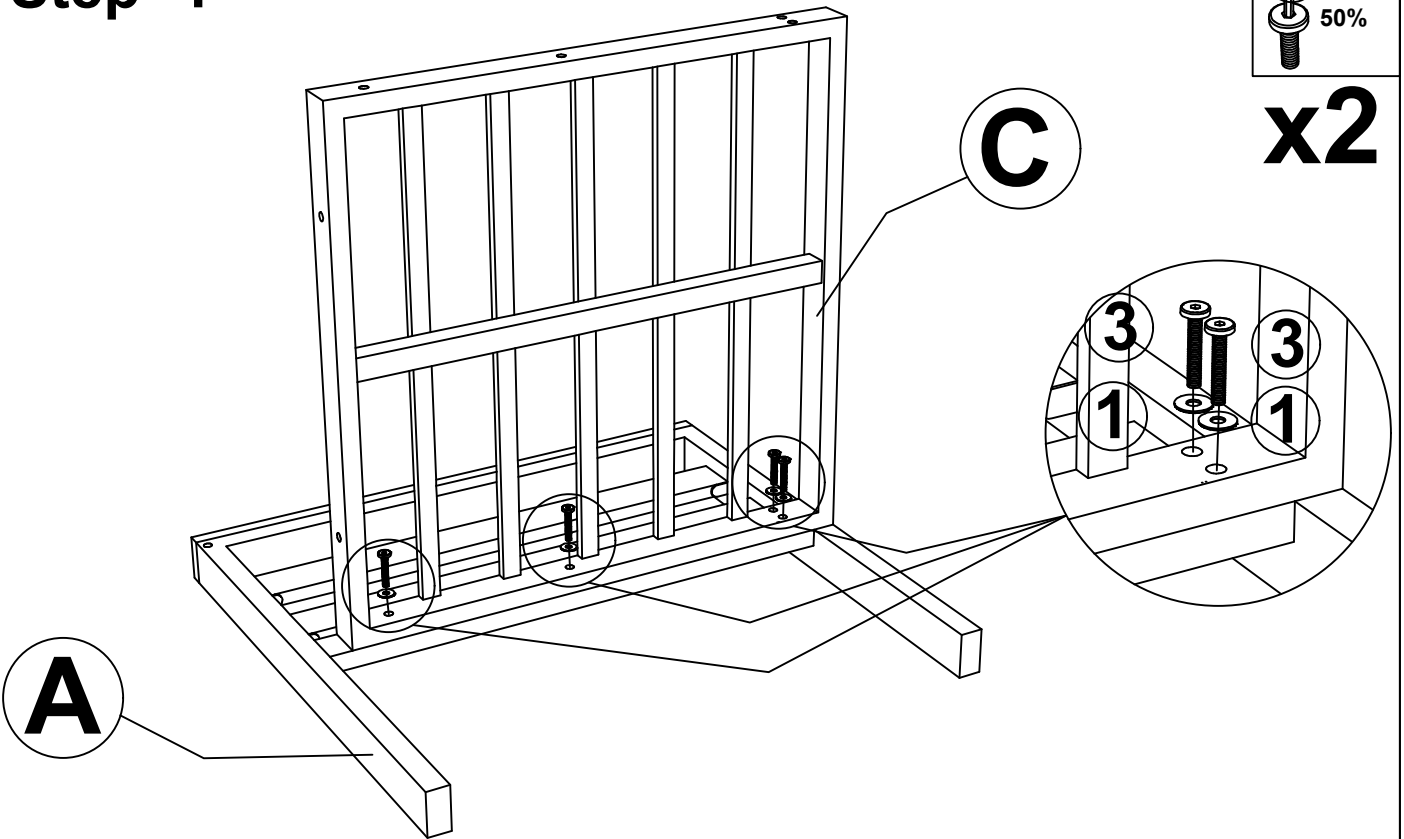


Nx3

Step 1



x2

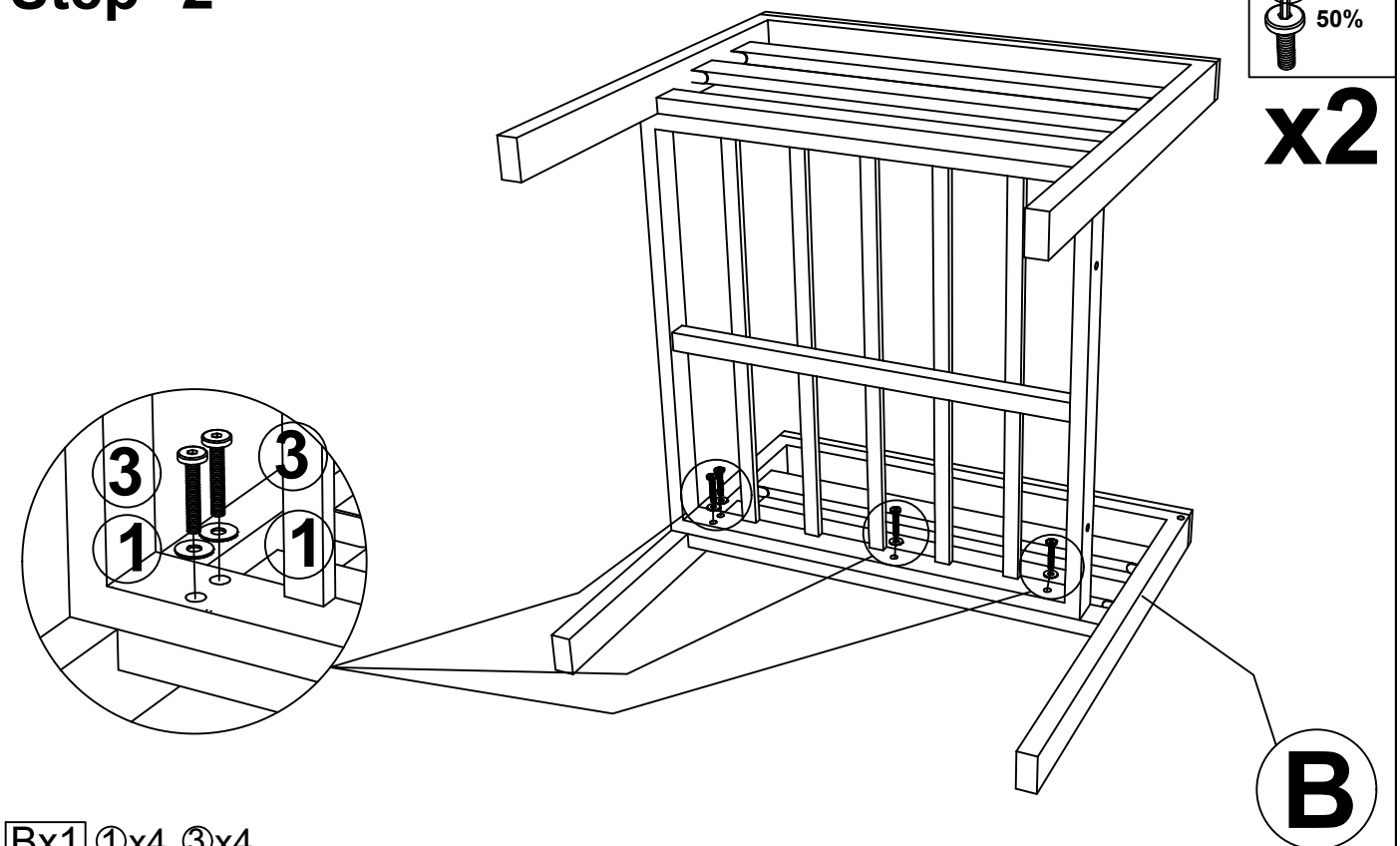


Ax1 Cx1 ①x4 ③x4

Step 2



x2

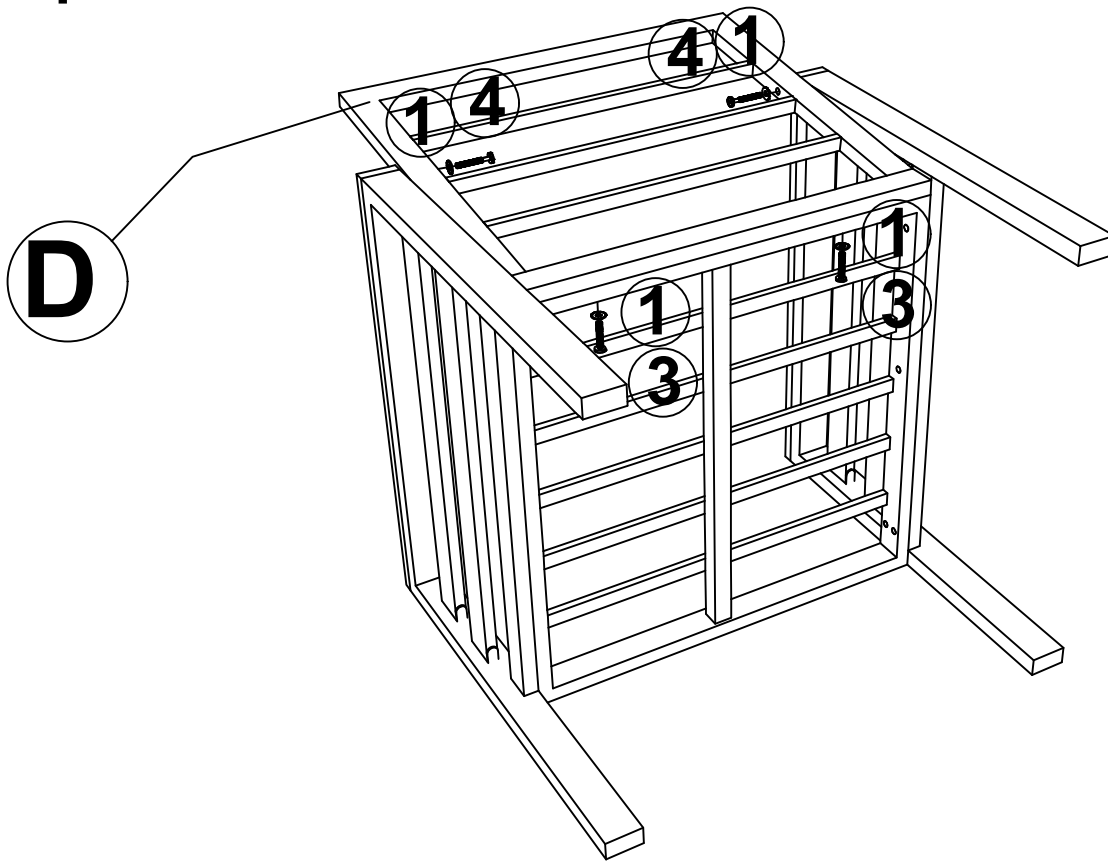


Bx1 ①x4 ③x4

Step 3



x2

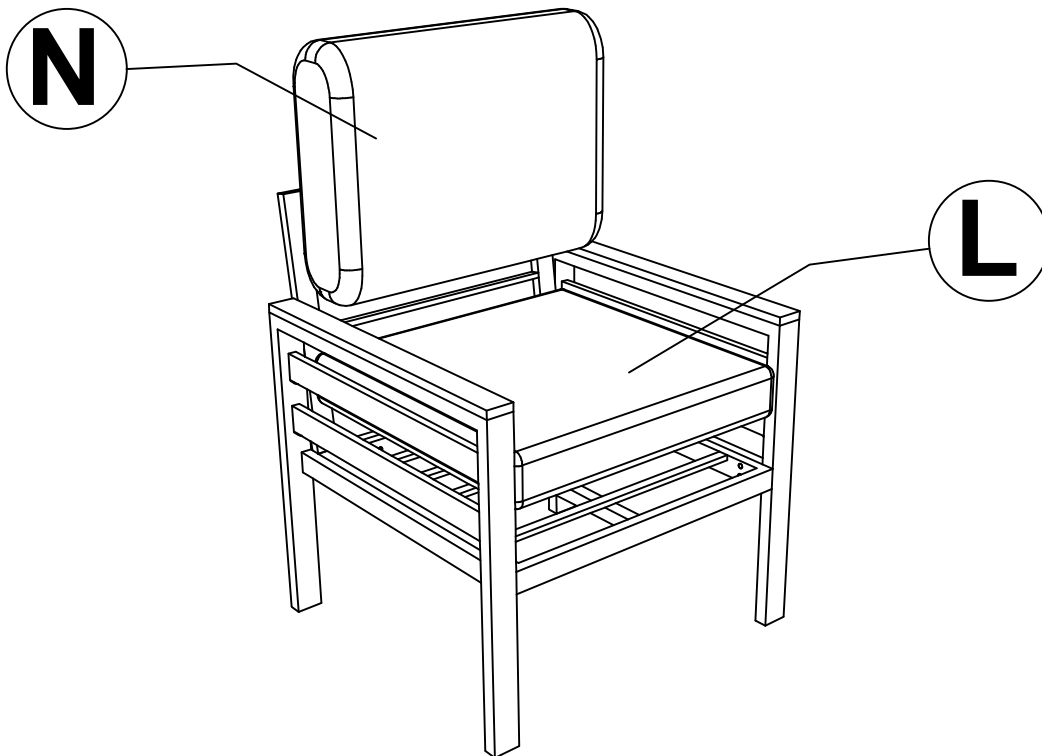


Dx1 ①x4 ③x2 ④x2

Step 4

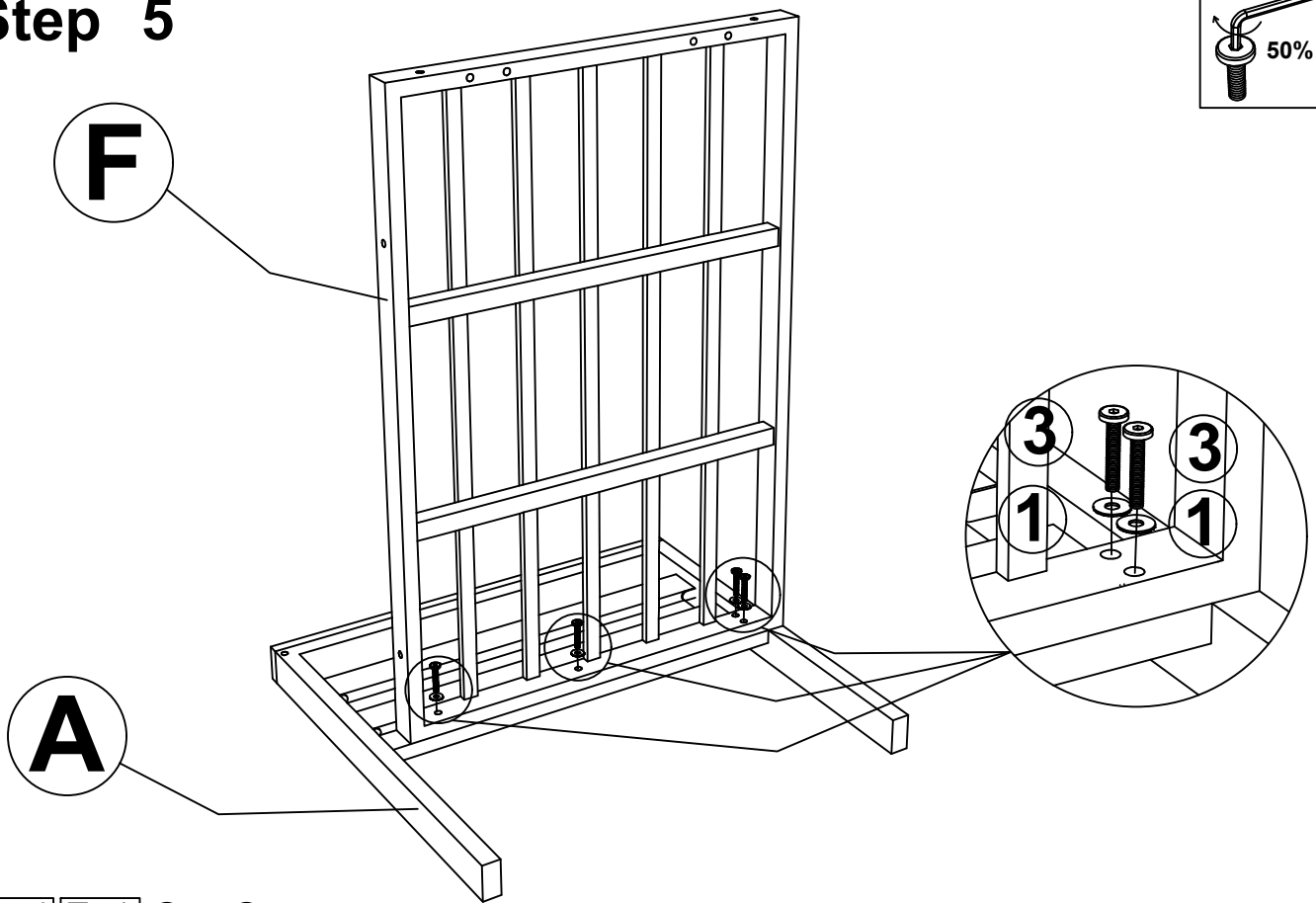


x2



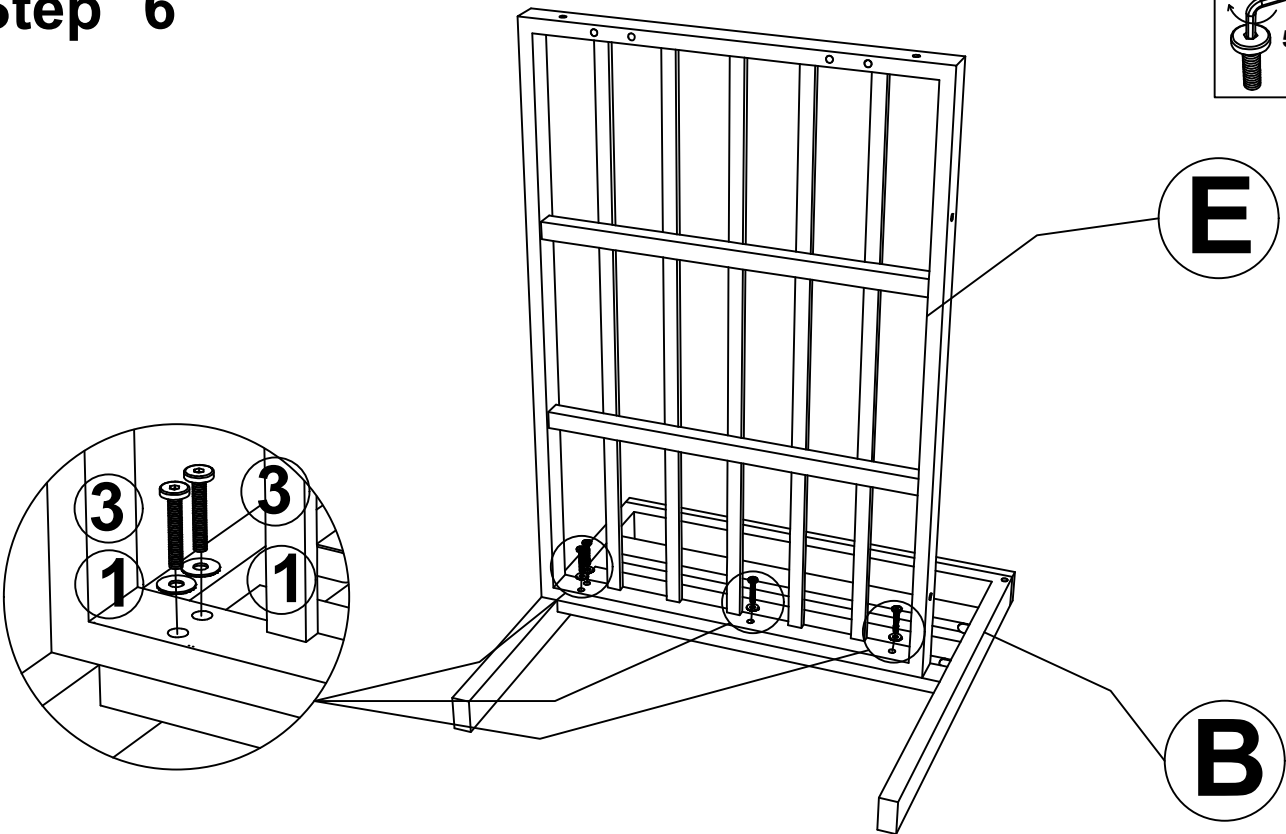
Lx1 Nx1

Step 5



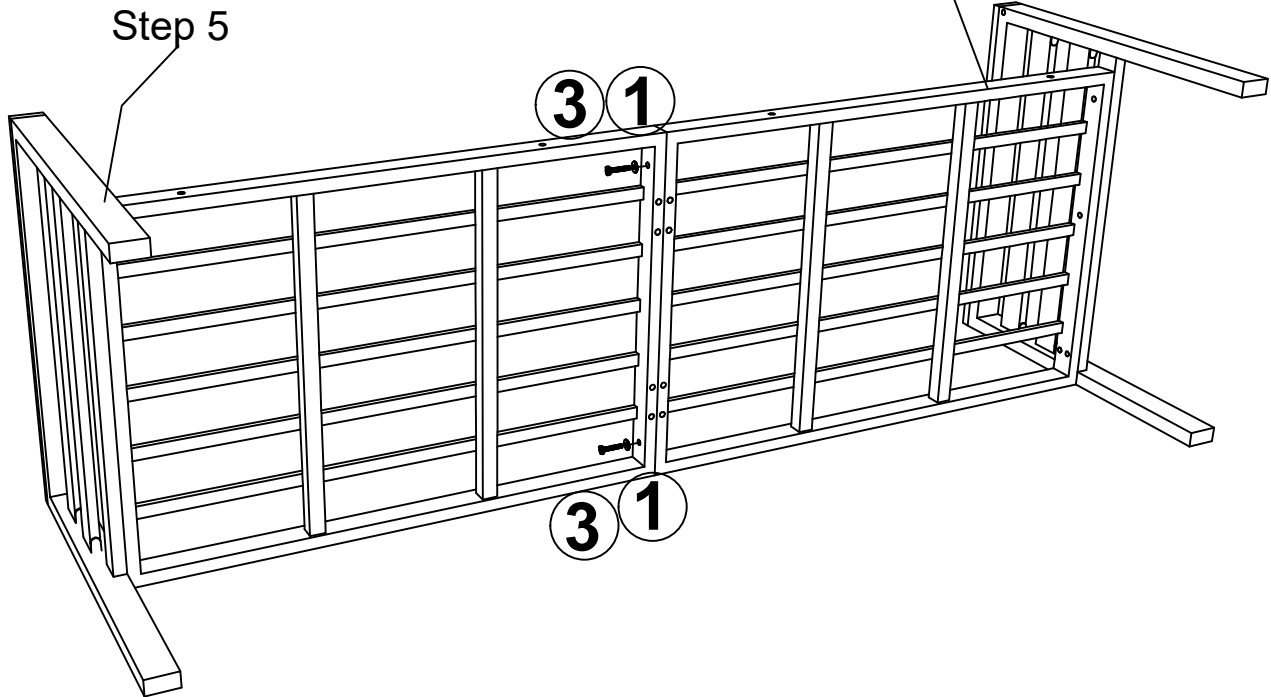
Ax1 Fx1 ①x4 ③x4

Step 6



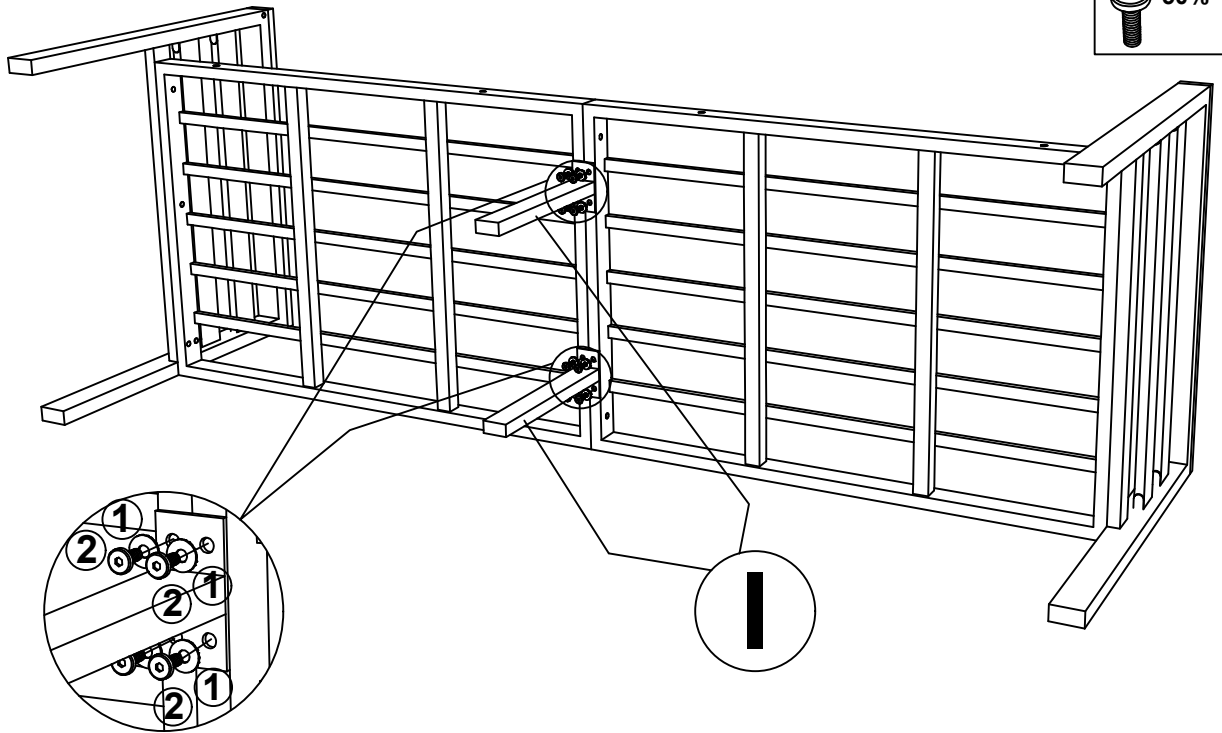
Bx1 Ex1 ①x4 ③x4

Step 7



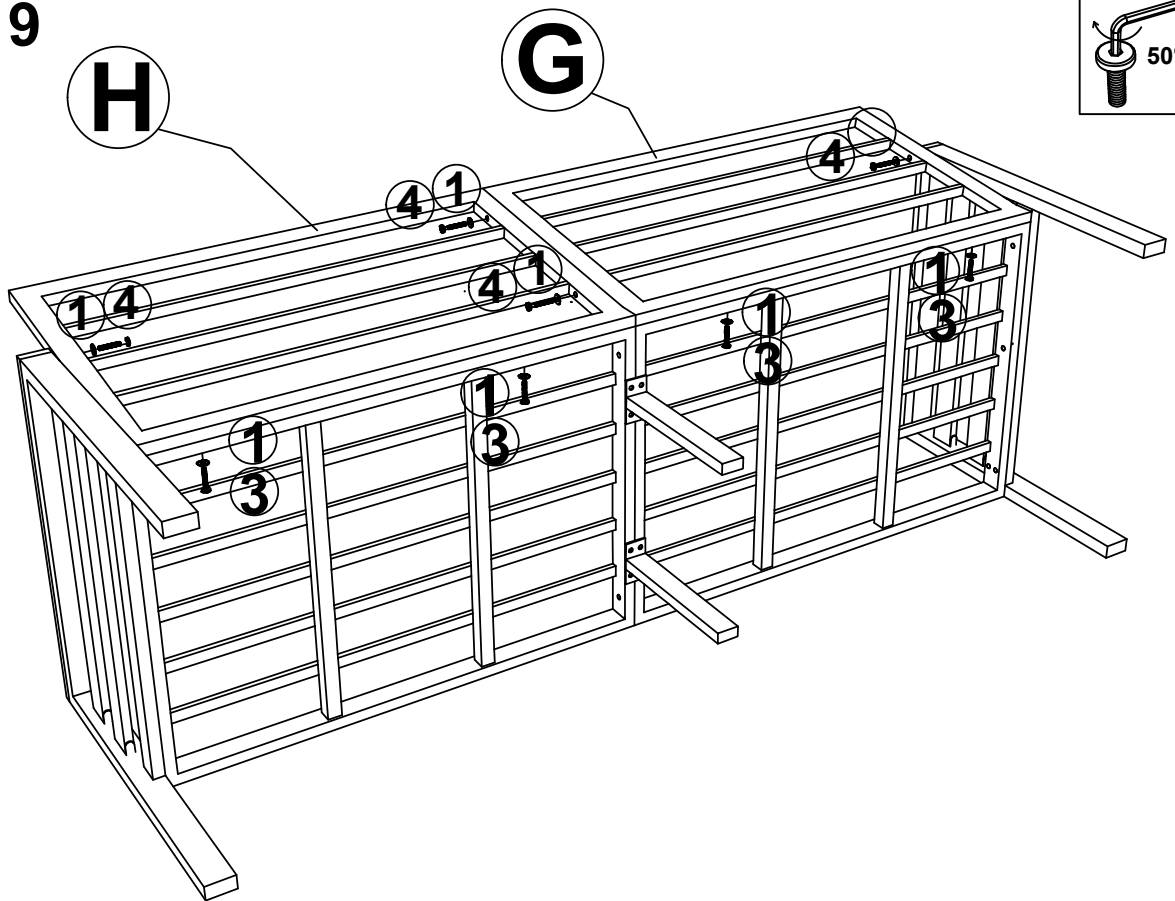
Step 5 Step 6 ①x2 ③x2

Step 8



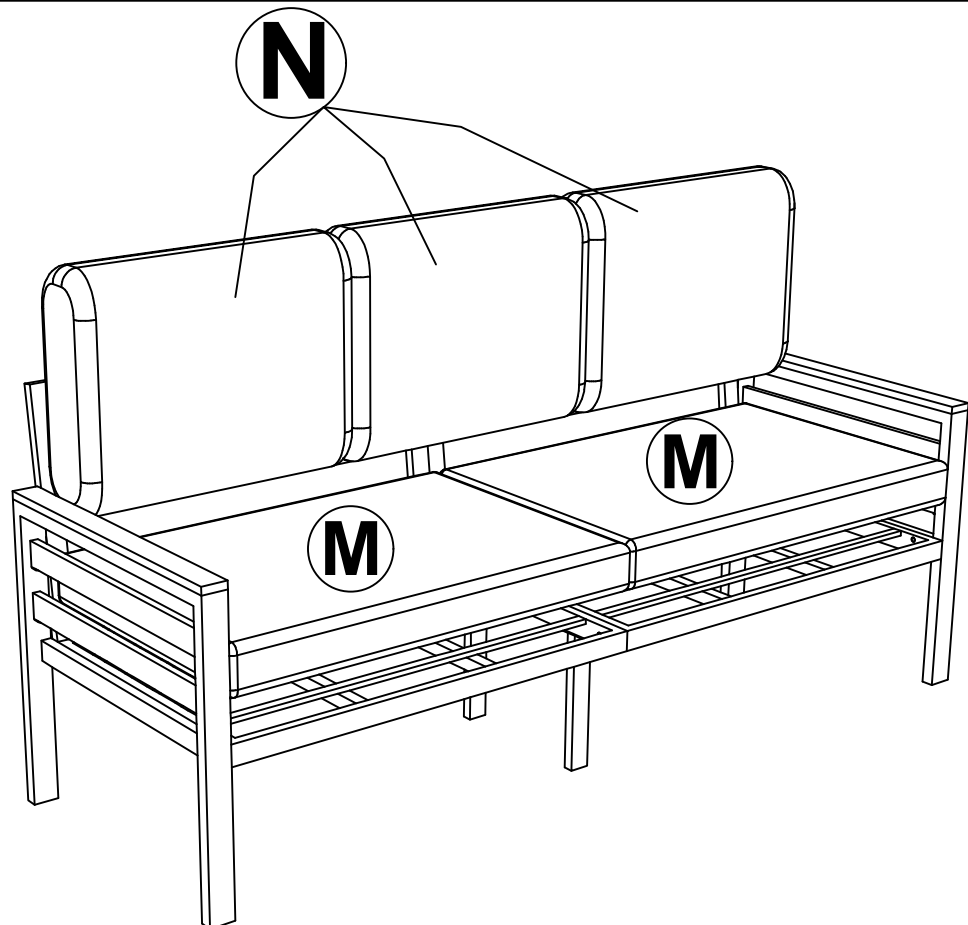
1x2 ①x8 ②x8

Step 9



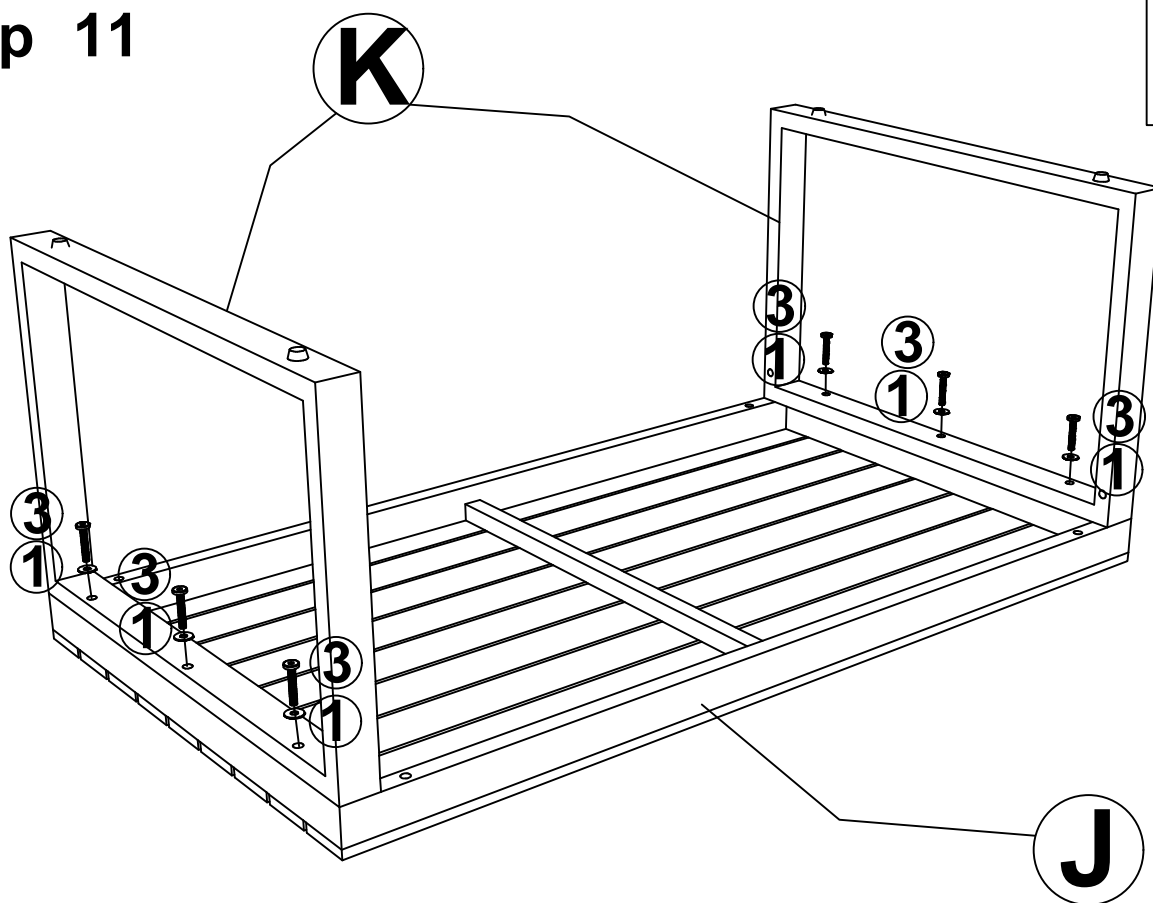
Gx1 Hx1 ①x8 ③x4 ④x4

Step 10



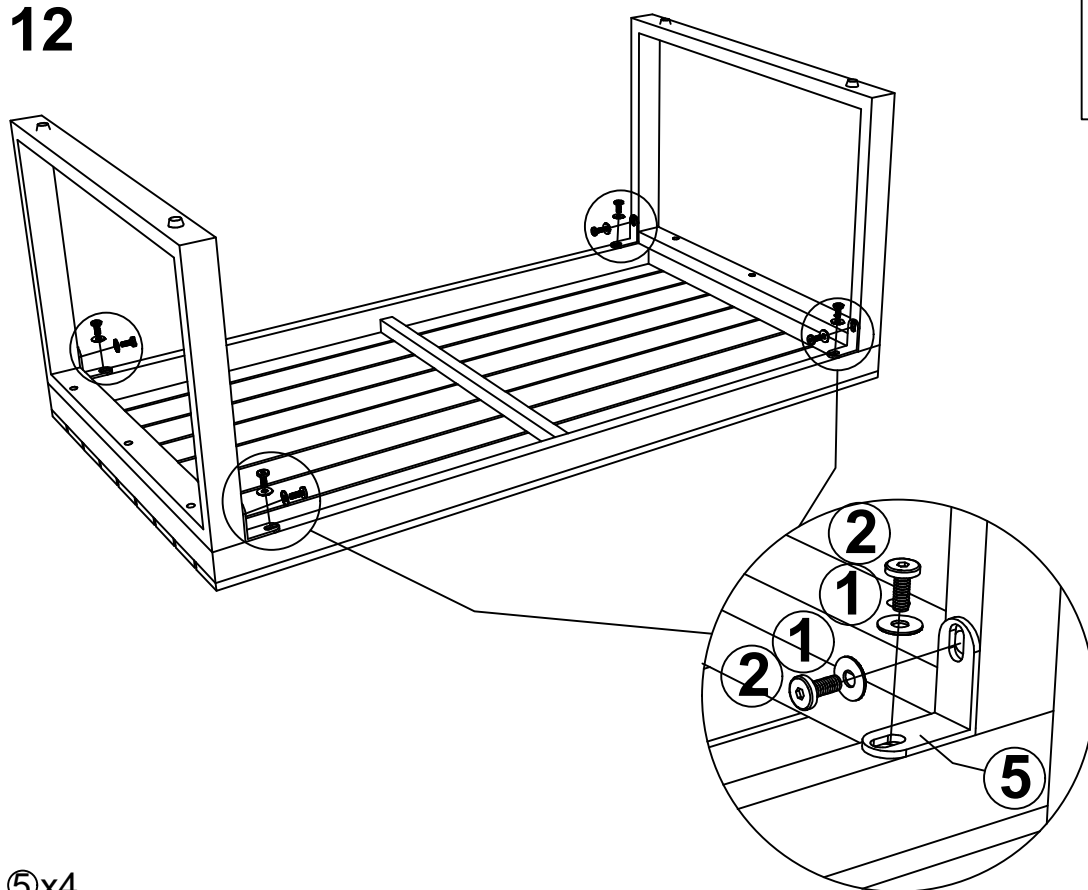
Mx2 Nx3

Step 11



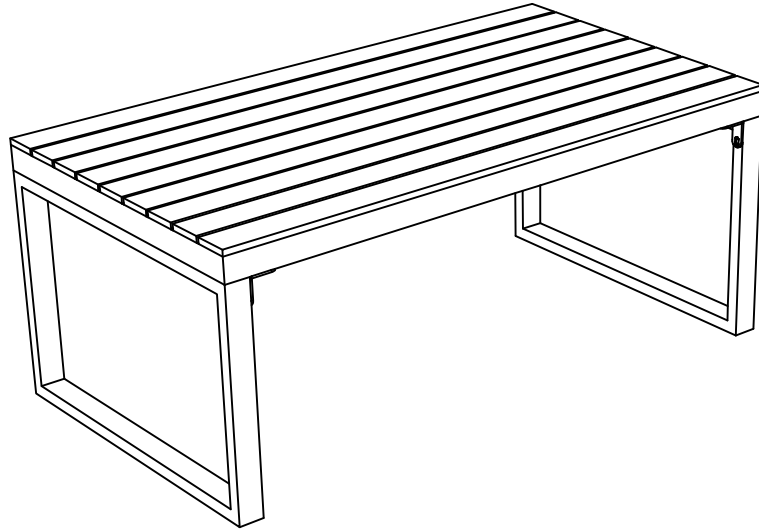
Jx1 Kx2 ①x6 ③x6

Step 12

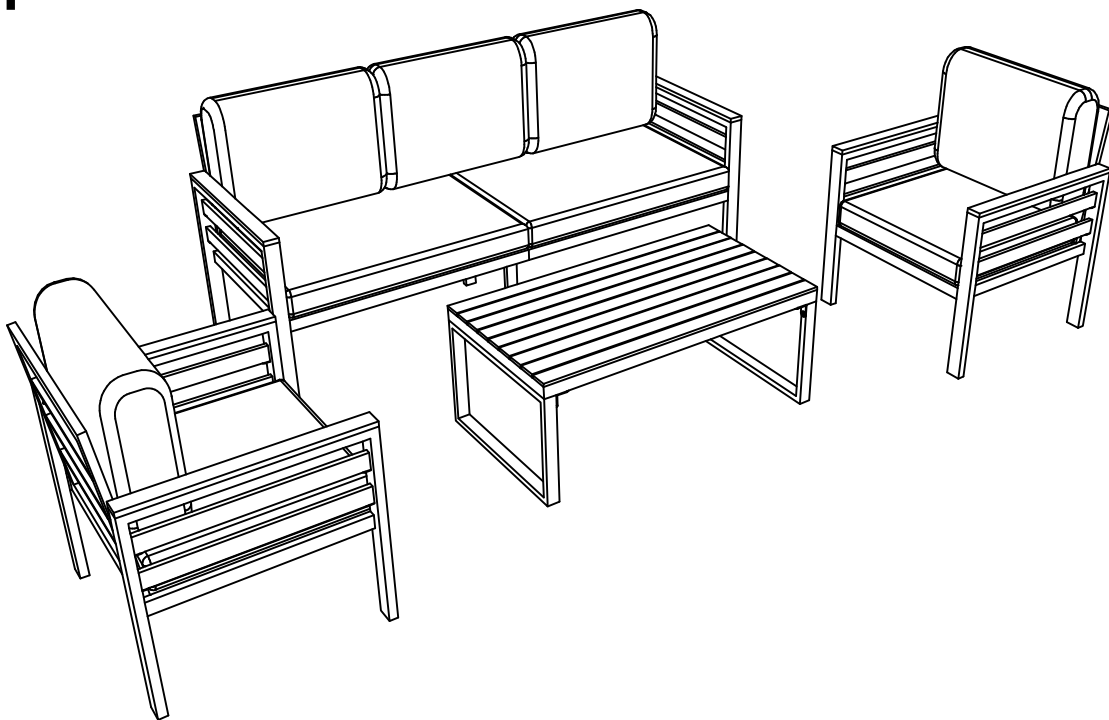


①x8 ②x8 ⑤x4

Step 13



Step 14



Finish