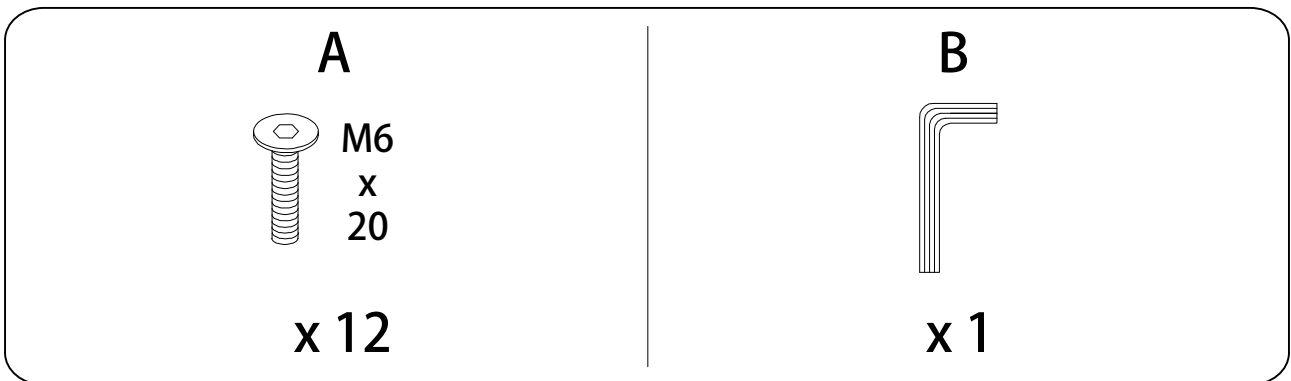
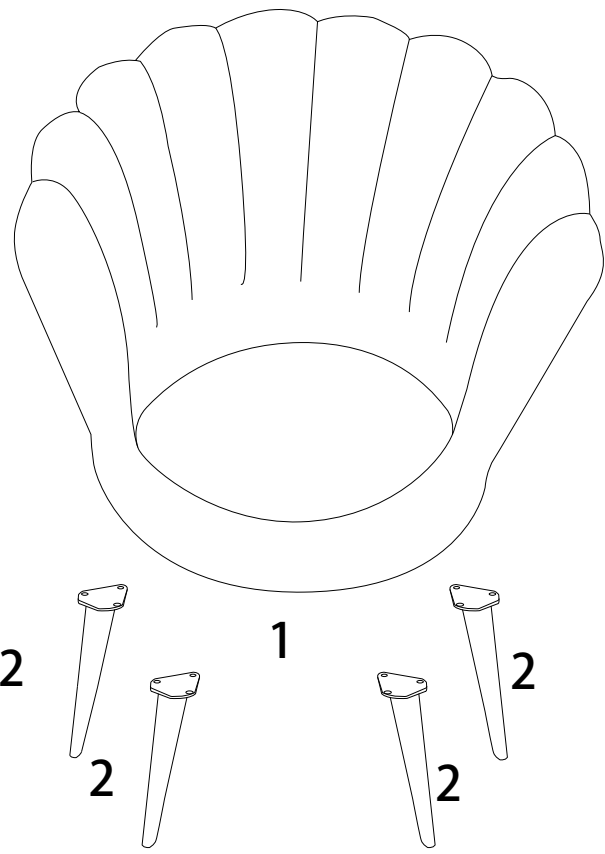
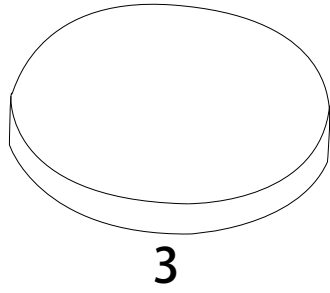
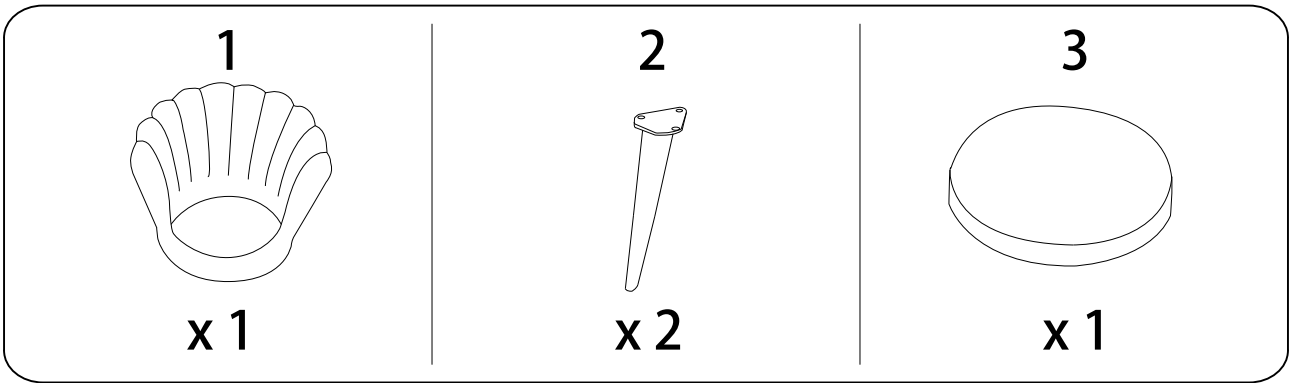


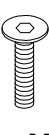
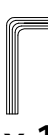


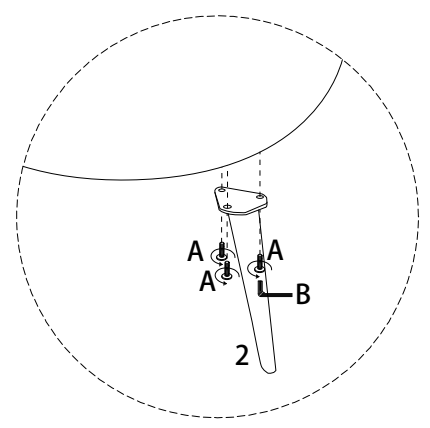
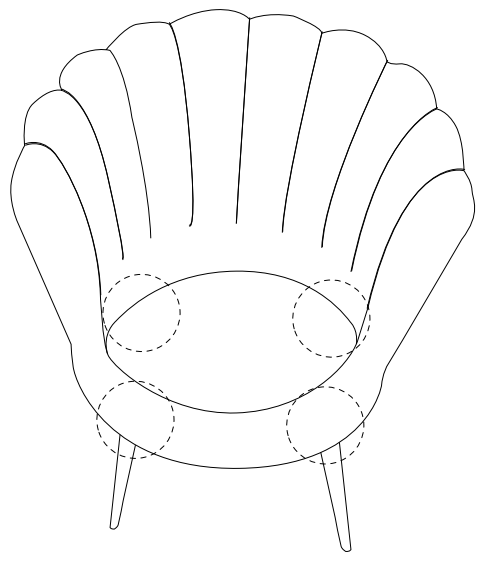
Diagram illustrating a warning for the first step. On the left, a rounded rectangle contains two icons: an L-shaped metal bracket and a power drill with a slash through it, indicating that a drill should not be used. To the right of this rectangle is a warning triangle containing an exclamation mark. Further to the right is a clock icon, and below it, the text **20'**.

Diagram illustrating a warning for the second step. On the left, a rounded rectangle contains two icons: a rectangular block being placed on a textured surface and a similar block with a slash through it, indicating that a specific surface or method should not be used. To the right of this rectangle is a warning triangle containing an exclamation mark. Further to the right is a stick figure icon representing a person, and below it, the text **1**.

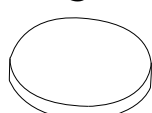


1

<p>1</p>  <p>x 1</p>	<p>2</p>  <p>x 4</p>	<p>A</p>  <p>M6 x 20</p> <p>x 12</p>	<p>B</p>  <p>x 1</p>
---	---	--	---



2

<p>3</p>  <p>x 1</p>

