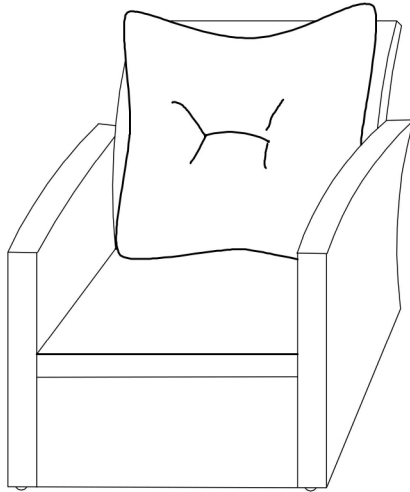



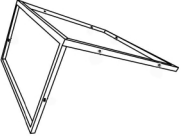
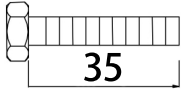




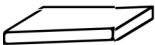

Assembly Instructions

SINGLE SOFA

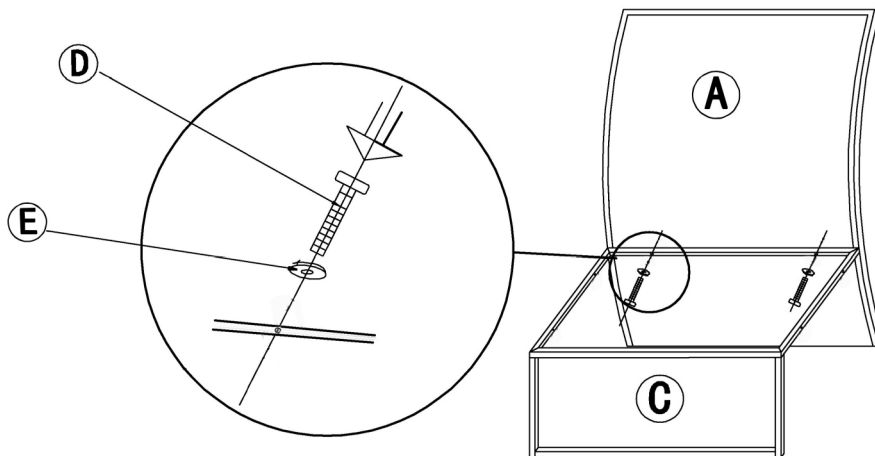


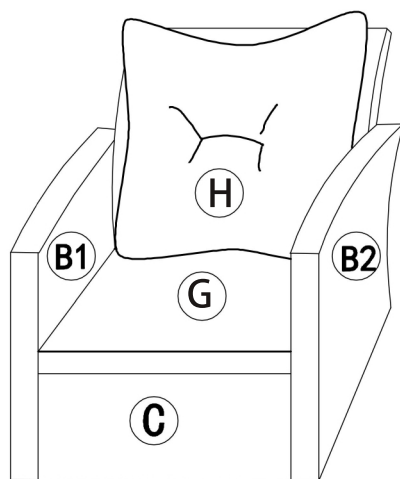
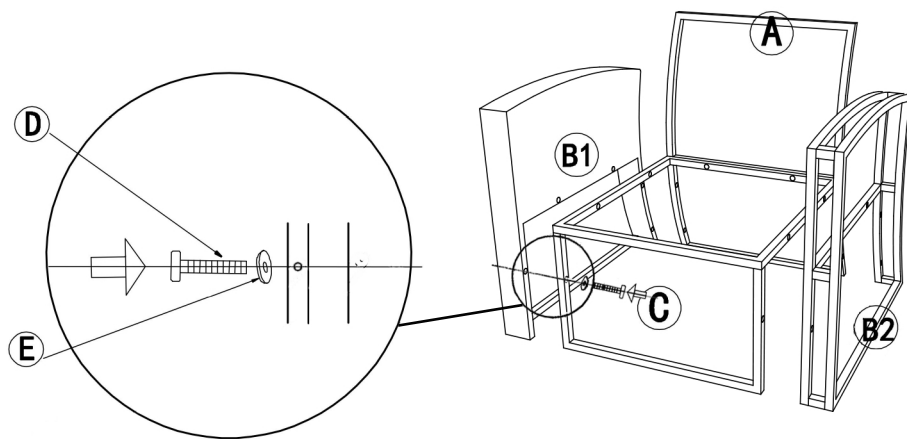
Part list

label	picture	Description	QTY
A		back	1PCS
B1		left arm	1PCS
B2		right arm	1PCS
C		seat frame	1PCS
D		screw	12PCS

E		washer	12PCS
F		spanner	1PCS
G		seat cushion	1PCS
H		back cushion	1PCS

Assembly steps



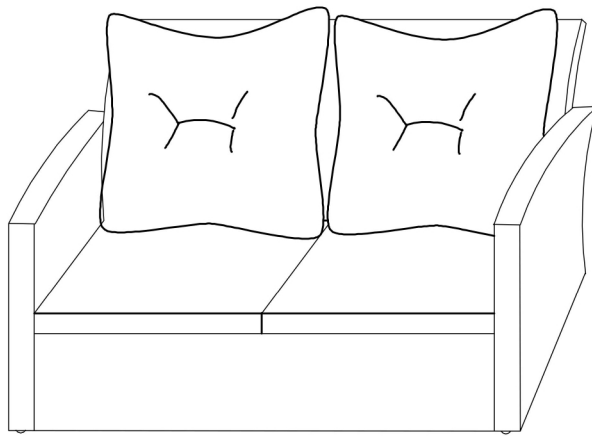


Precautions




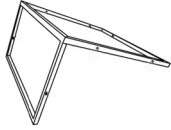
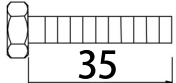
- ① Before assembling, please check if you have all the assembled parts on the assembly instructions.
- ② When you assemble, place all parts of the product on a thick carpet to prevent product scratches.
- ③ Tighten the screws one by one after fitting all of them in their setting, otherwise you may have troubles in fixing the product.
- ④ Easy assembly for two people.



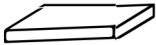

Assembly Instructions

DOUBLE SOFA

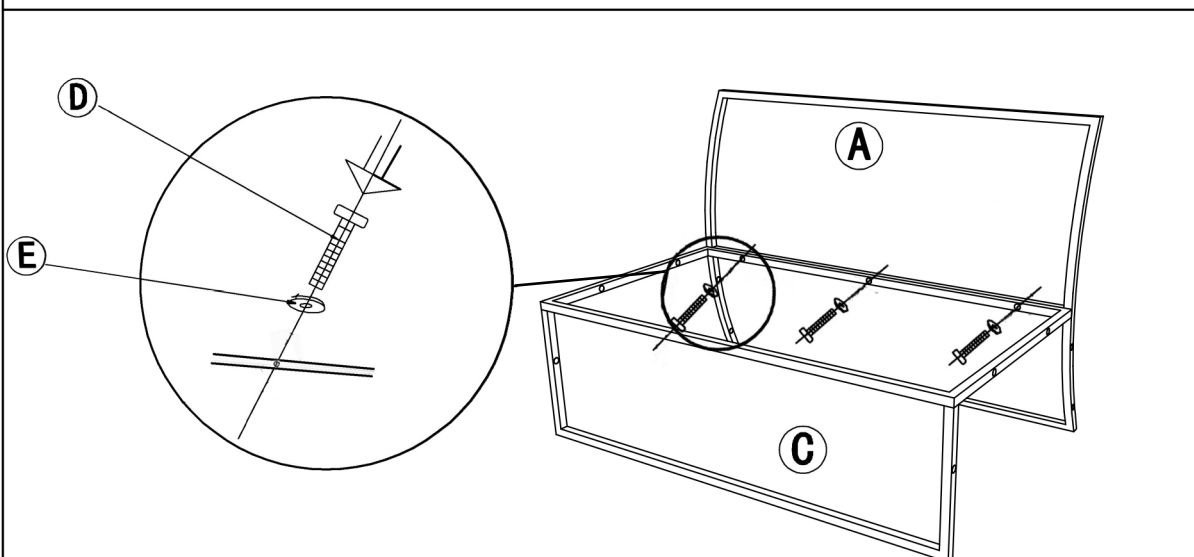


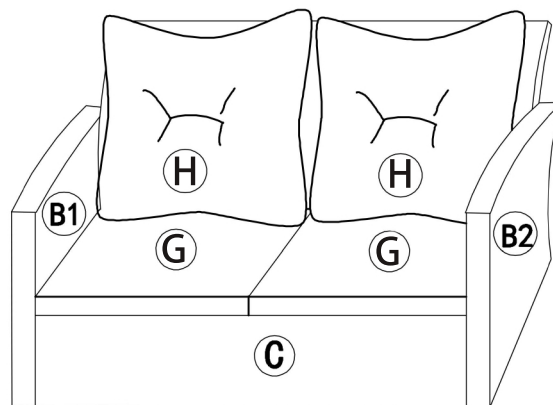
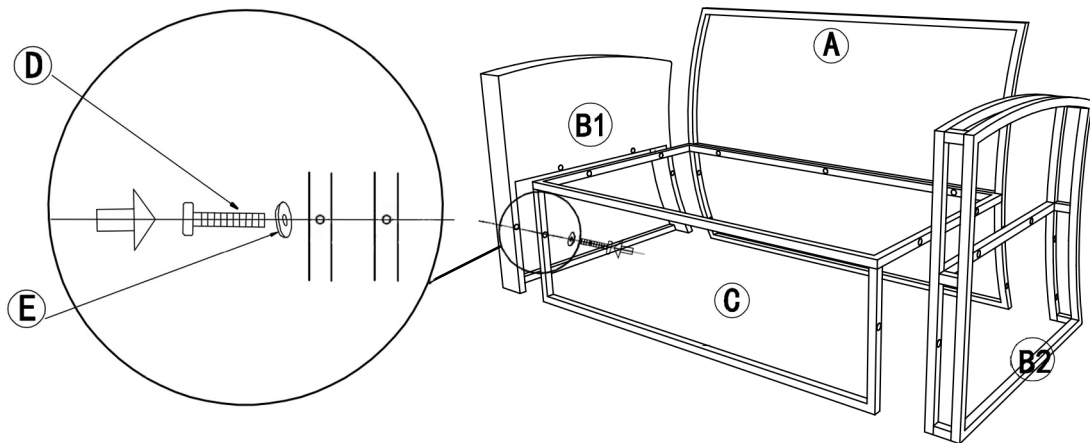
Part list

label	picture	Description	QTY
A		back	1PCS
B1		left arm	1PCS
B2		right arm	1PCS
C		seat frame	1PCS
D		screw	13PCS

E		washer	13PCS
F		spanner	1PCS
G		seat cushion	2PCS
H		back cushion	2PCS

Assembly steps





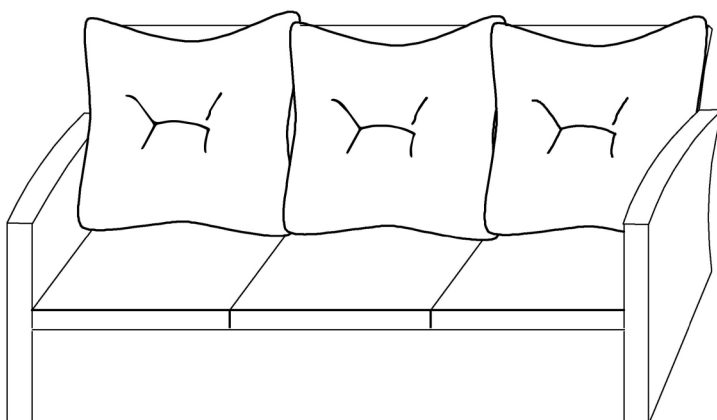
Precautions

- ① Before assembling, please check if you have all the assembled parts on the assembly instructions.
- ② When you assemble, place all parts of the product on a thick carpet to prevent product scratches.
- ③ Tighten the screws one by one after fitting all of them in their setting, otherwise you may have troubles in fixing the product.
- ④ Easy assembly for two people.




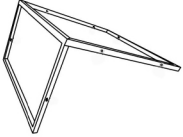
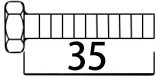
Assembly Instructions



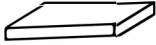

Caution: You must read this before you proceed

THREE-SEAT SOFA

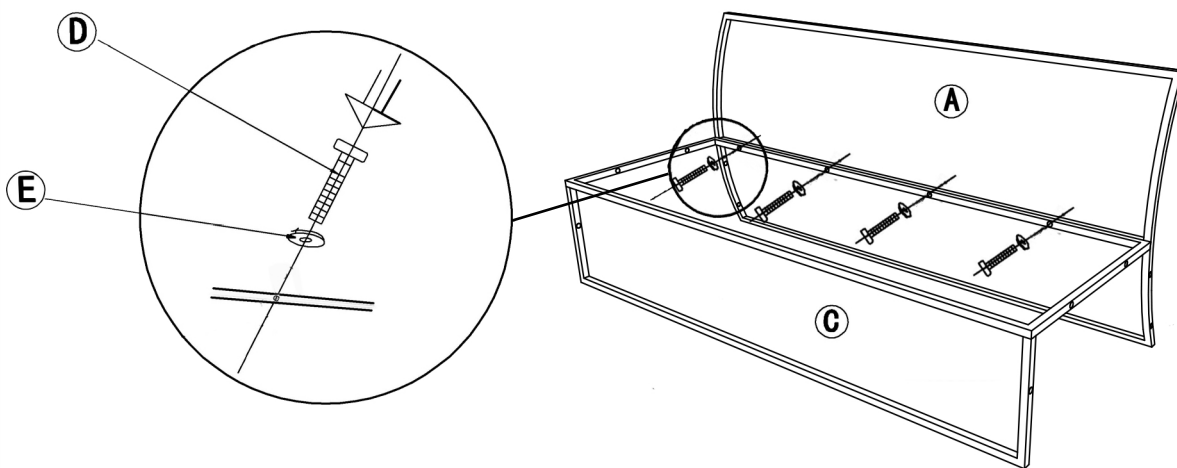


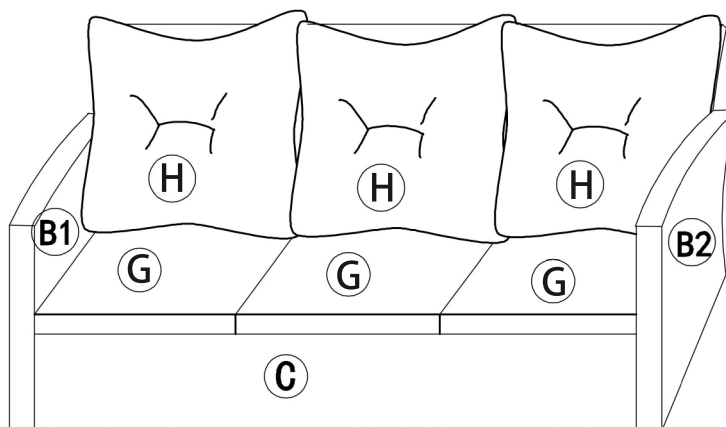
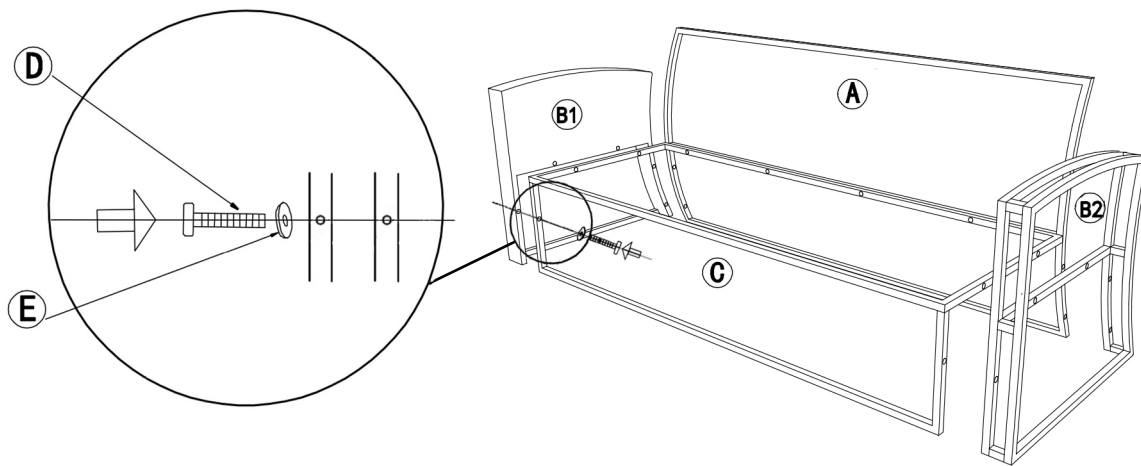
Parts list

Label	Picture	Description	QTY
A		back	1PCS
B1		left arm	1PCS
B2		right arm	1PCS
C		seat frame	1PCS
D		screw	14PCS

E		washer	14PCS
F		spanner	1PCS
G		seat cushion	3PCS
H		back cushion	3PCS

Assembly Steps



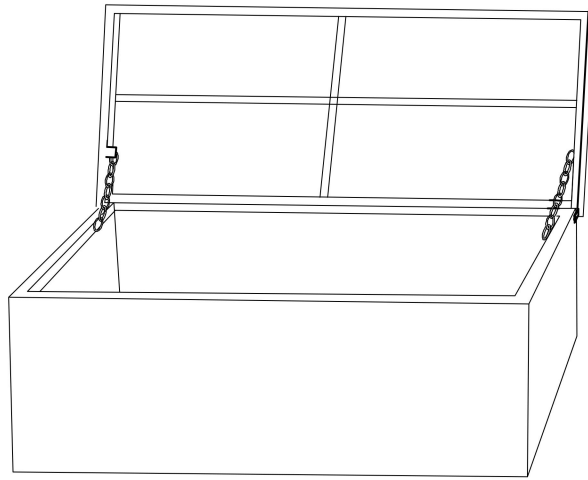


Precautions

- ① Before assembling, please check if you have all the assembled parts on the assembly instructions.
- ② When you assemble, place all parts of the product on a thick carpet to prevent product scratches.
- ③ Tighten the screws one by one after fitting all of them in their setting, otherwise you may have troubles in fixing the product.
- ④ Easy assembly for two people.

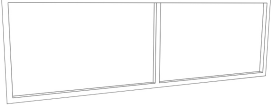

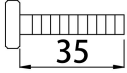
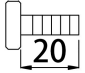


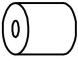

Assembly Instructions

COFFEE TABLE

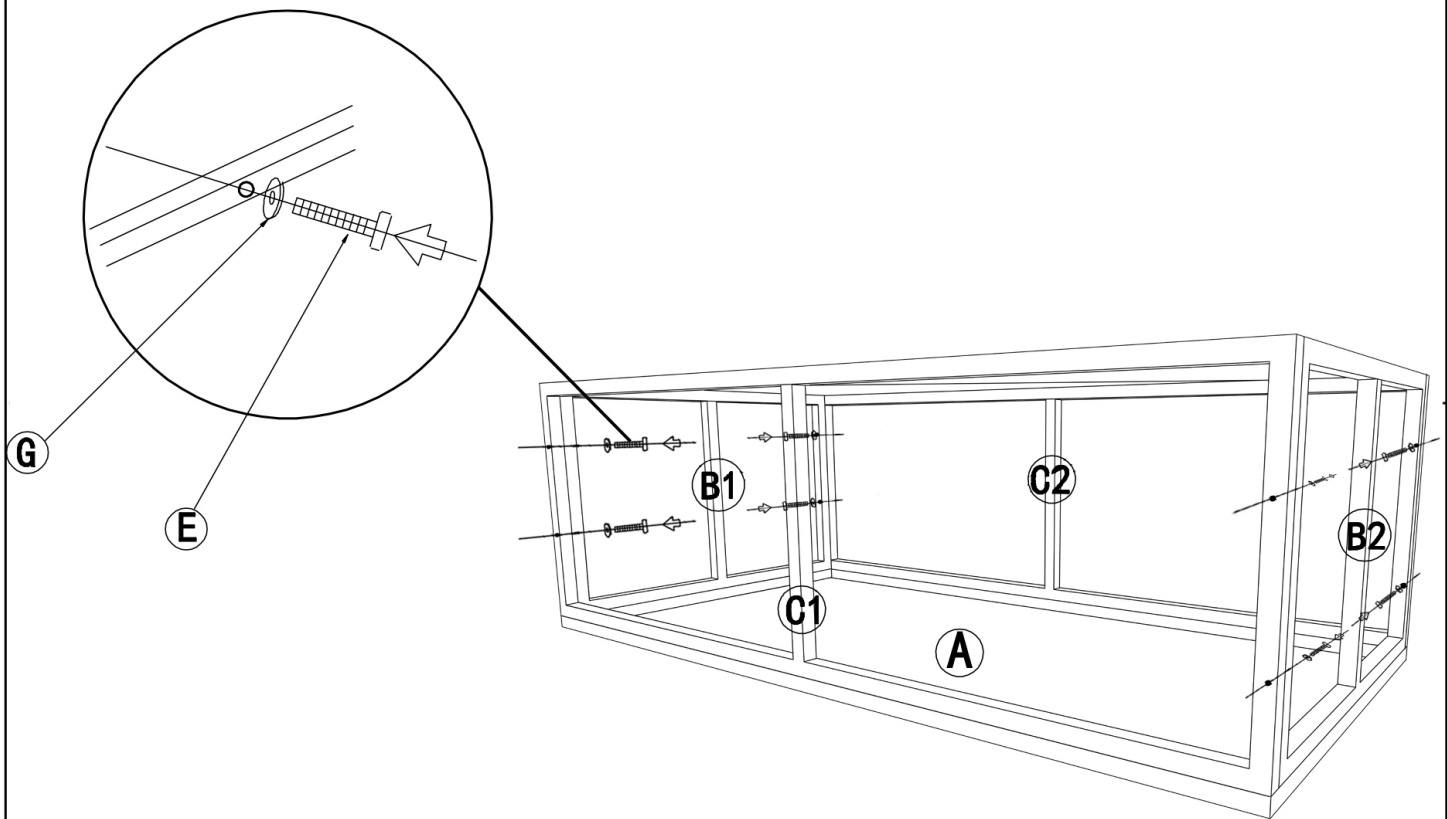
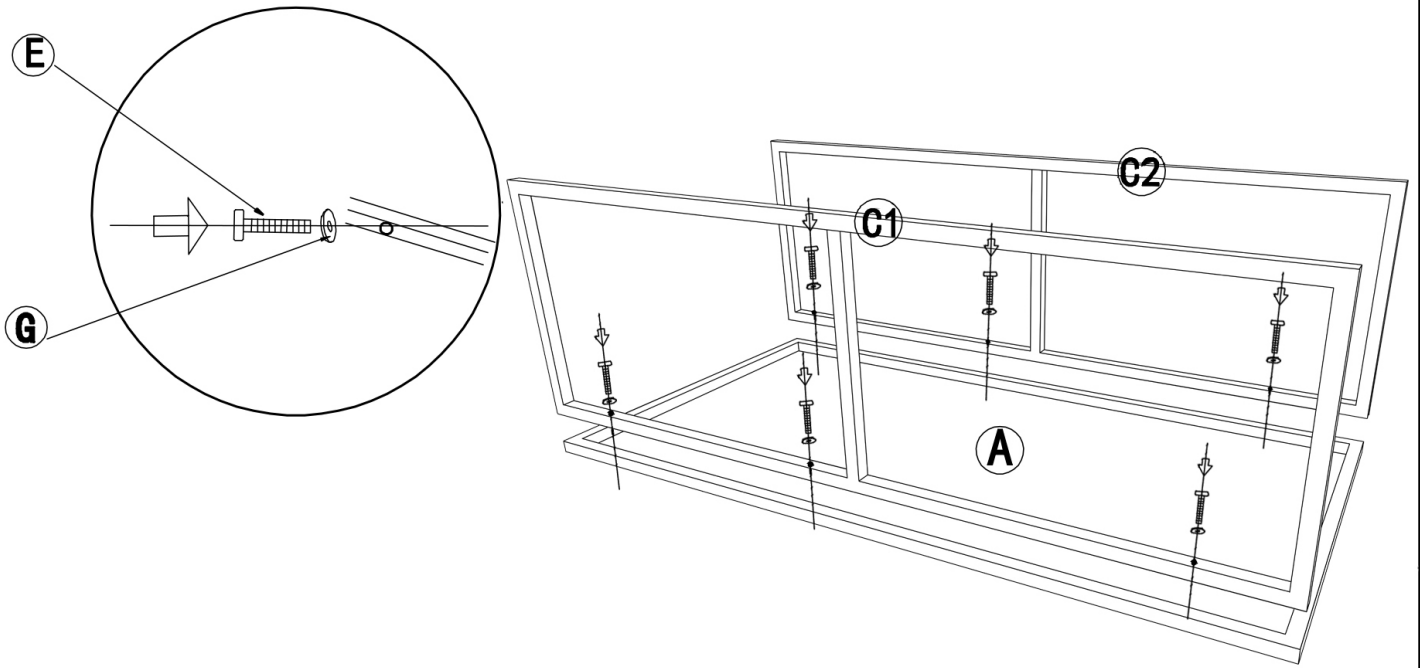


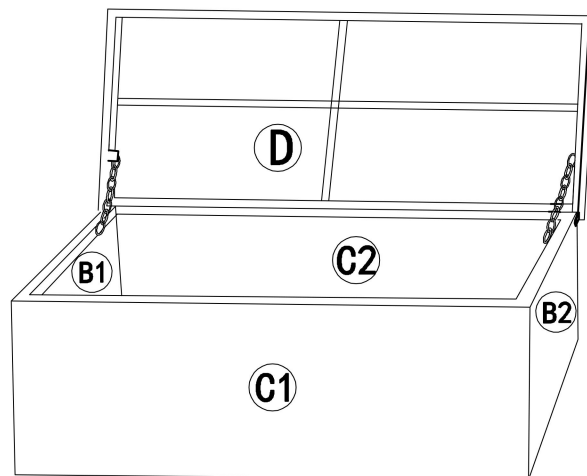
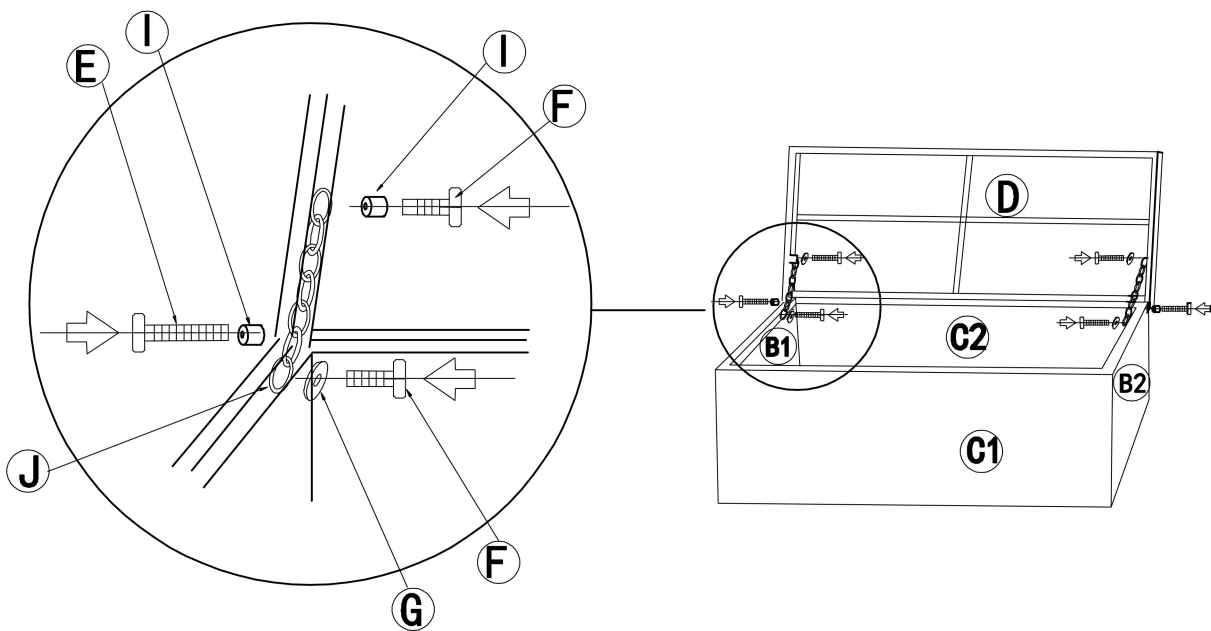
Part list

Label	picture	Description	QTY
A		bottom	1PCS
B1		left	1PCS
B2		right	1PCS
C1		front	1PCS

C2		back	1PCS
D		top	1PCS
E		screw	14PCS
F		screw	6PCS
G		metal washer	20PCS
H		spanner	1PCS
I		plastic washer	4PCS
J		chain	2PCS

Assembly Steps



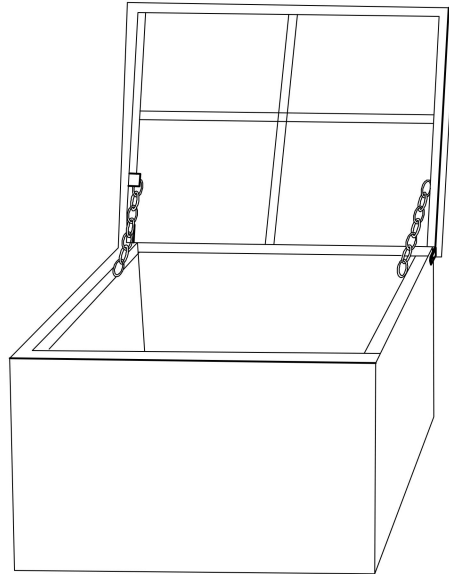


Precautions

- ① Before assembling, please check if you have all the assembled parts on the assembly instructions.
- ② When you assemble, place all parts of the product on a thick carpet to prevent product scratches.
- ③ Tighten the screws one by one after fitting all of them in their setting, otherwise you may have troubles in fixing the product.
- ④ Easy assembly for two people.

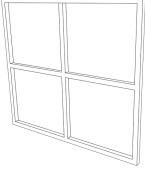

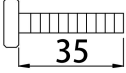
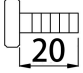


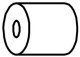

Assembly Instructions

SIDE TABLE

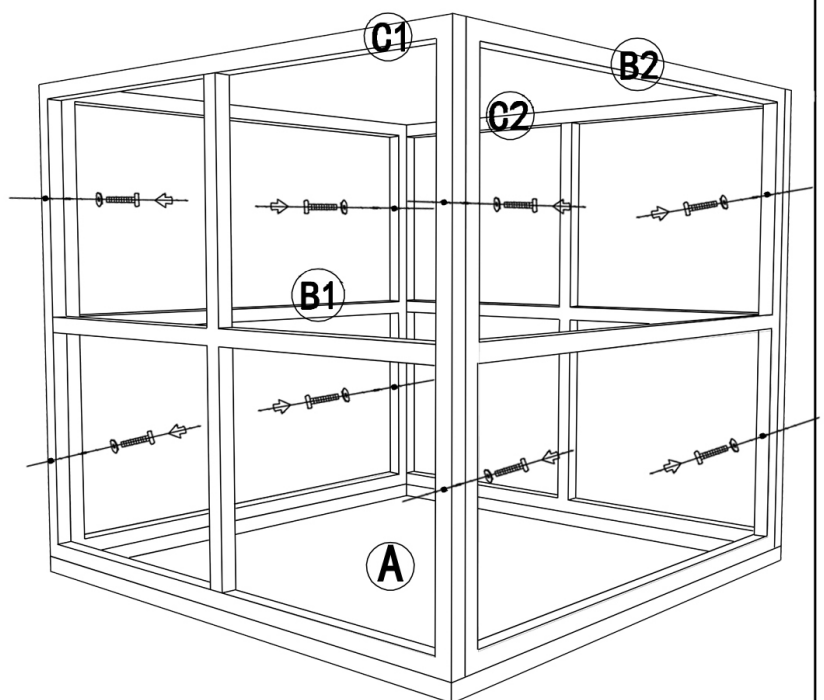
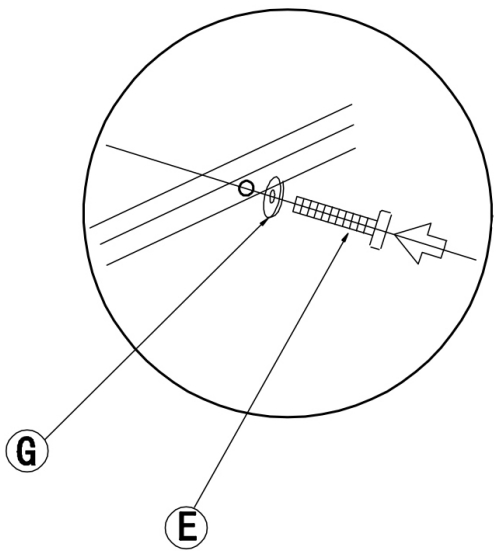
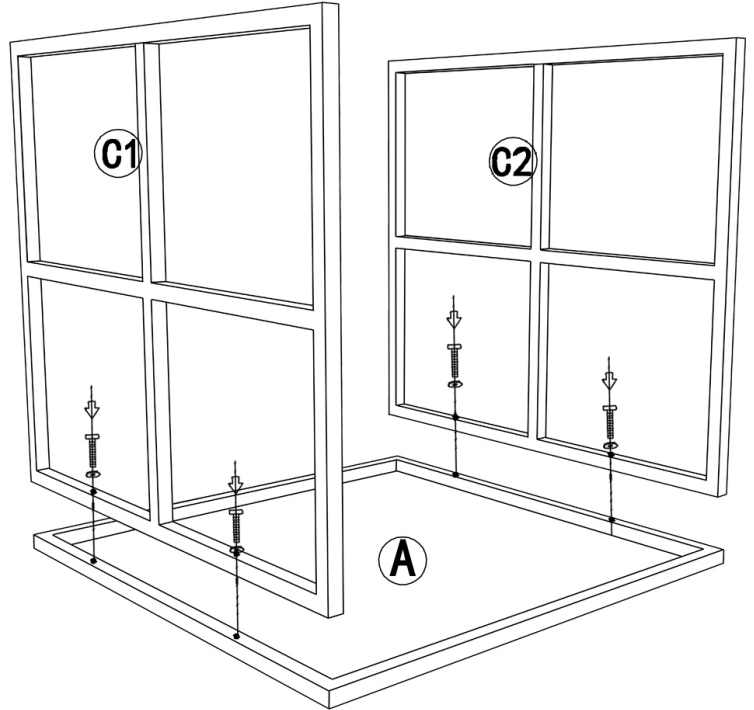
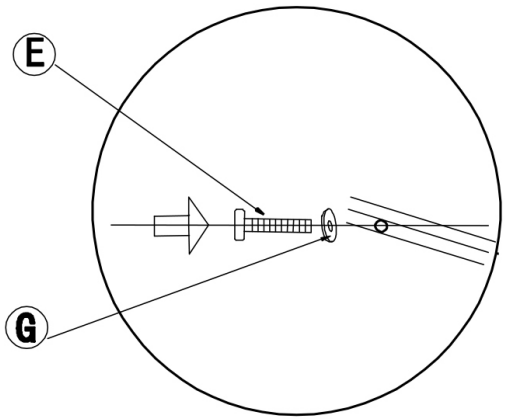


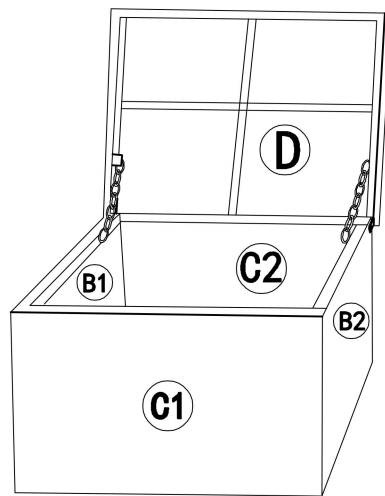
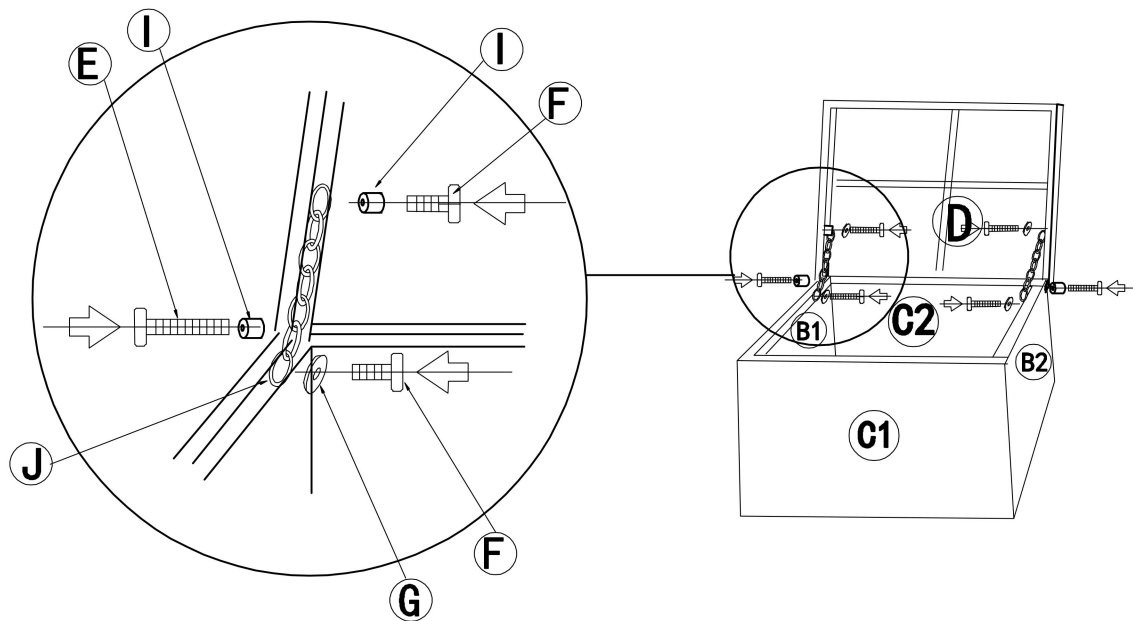
Part list

Label	Picture	Description	QTY
A		bottom	1PCS
B1		left	1PCS
B2		right	1PCS
C1		front	1PCS

C2		back	1PCS
D		top	1PCS
E		screw	12PCS
F		screw	6PCS
G		metal washer	18PCS
H		spanner	1PCS
I		plastic washer	4PCS
J		chain	2PCS

Assembly Steps





Precautions

- ① Before assembling, please check if you have all the assembled parts on the assembly instructions.
- ② When you assemble, place all parts of the product on a thick carpet to prevent product scratches.
- ③ Tighten the screws one by one after fitting all of them in their setting, otherwise you may have troubles in fixing the product.
- ④ Easy assembly for two people.