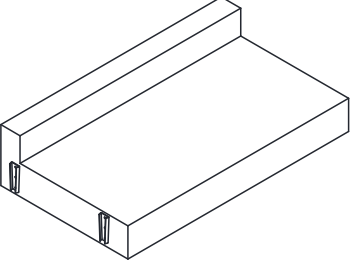
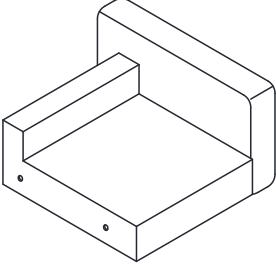
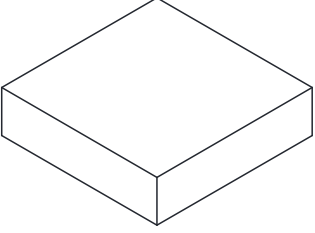
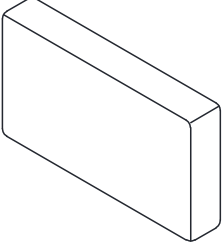
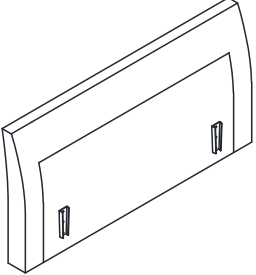
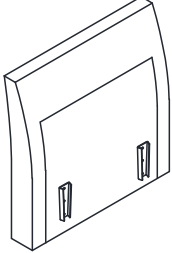
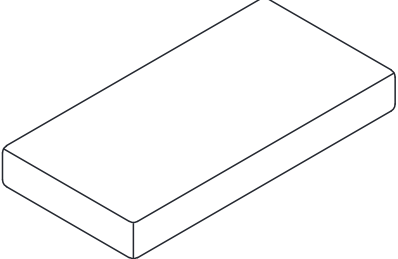
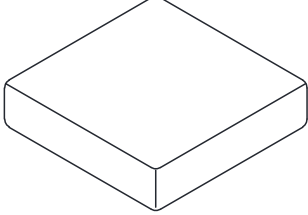
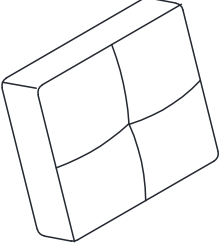

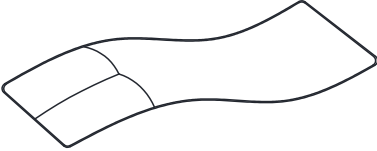



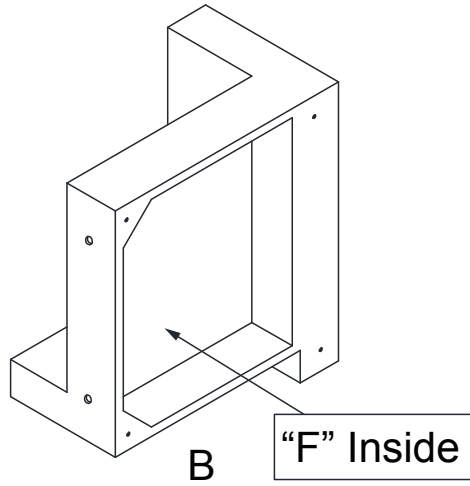
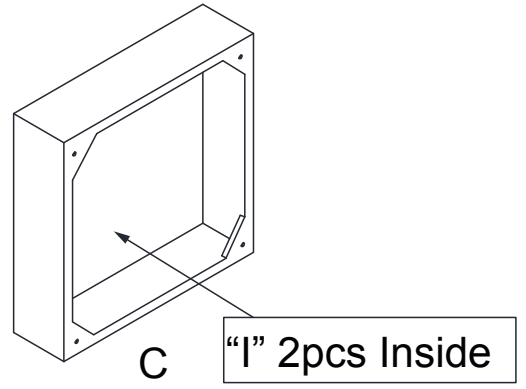
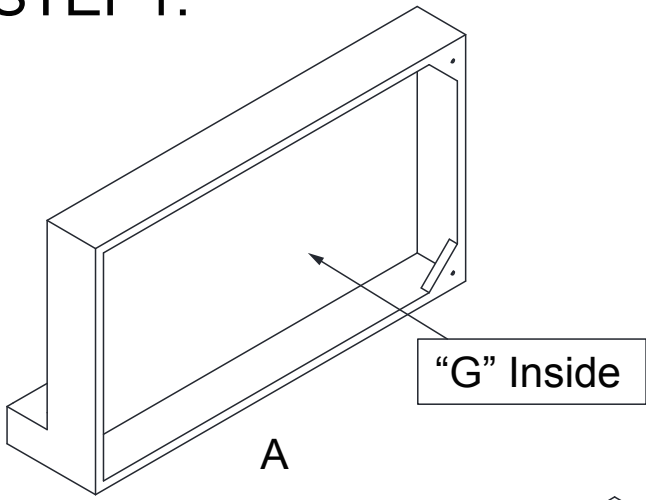


# ASSEMBLY INSTRUCTION

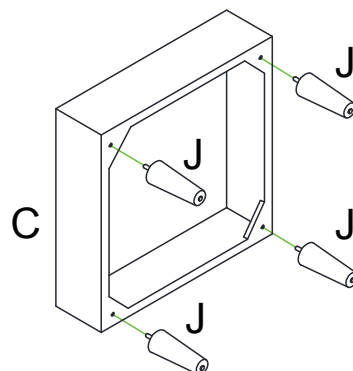
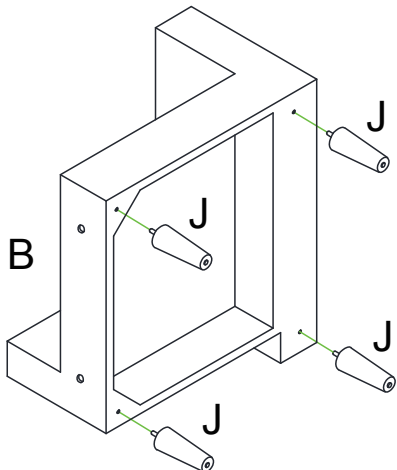
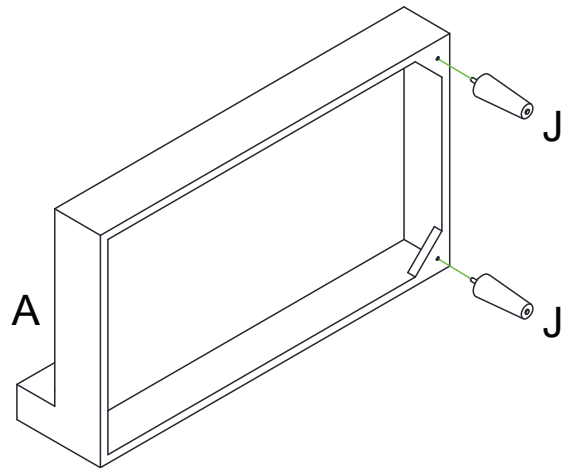
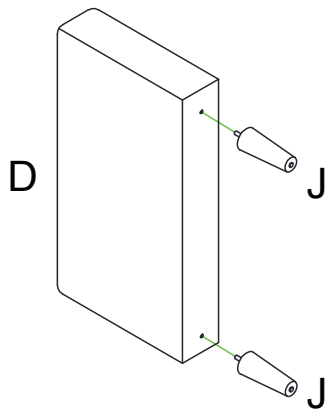
## PARTS IDENTIFICATION

A		1pc	B		1pc
C		1pc	D		1pc
E		1pc	F		1pc
G		1pc	H		2pcs
I		3pcs	J		12pcs
K		1pc	L		2pcs
			M		2pcs
			N		1pc

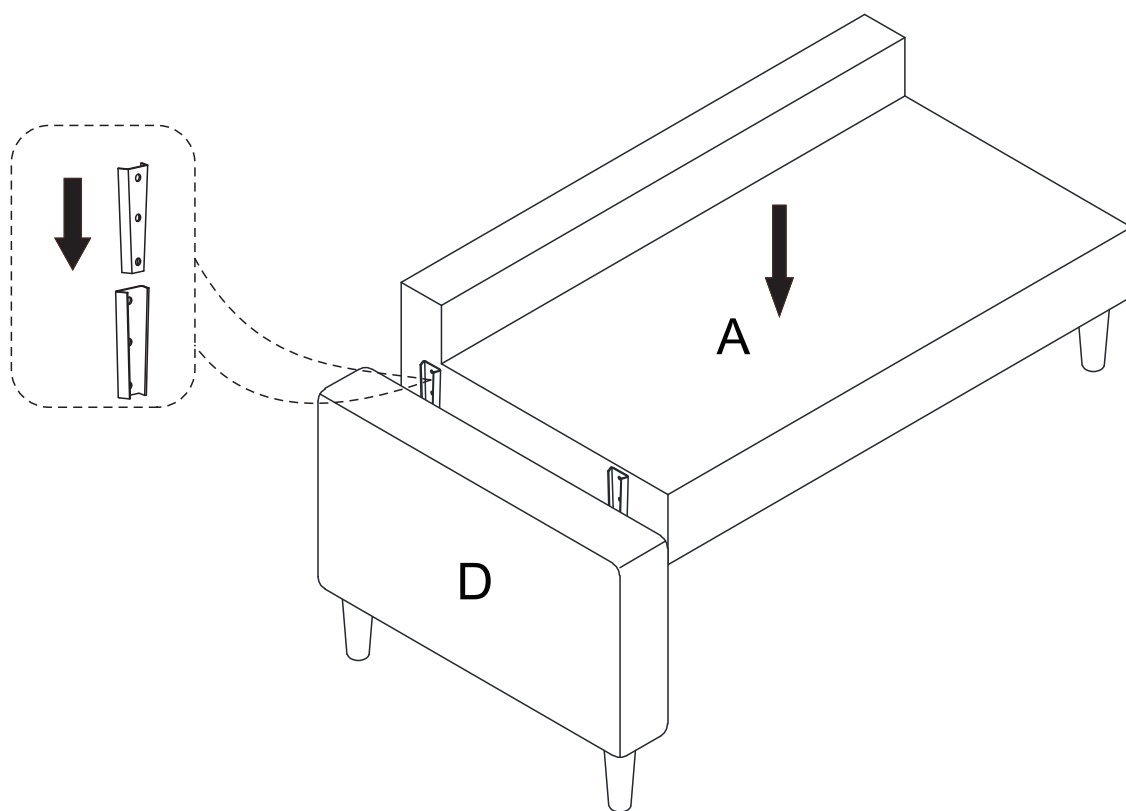
# STEP1:



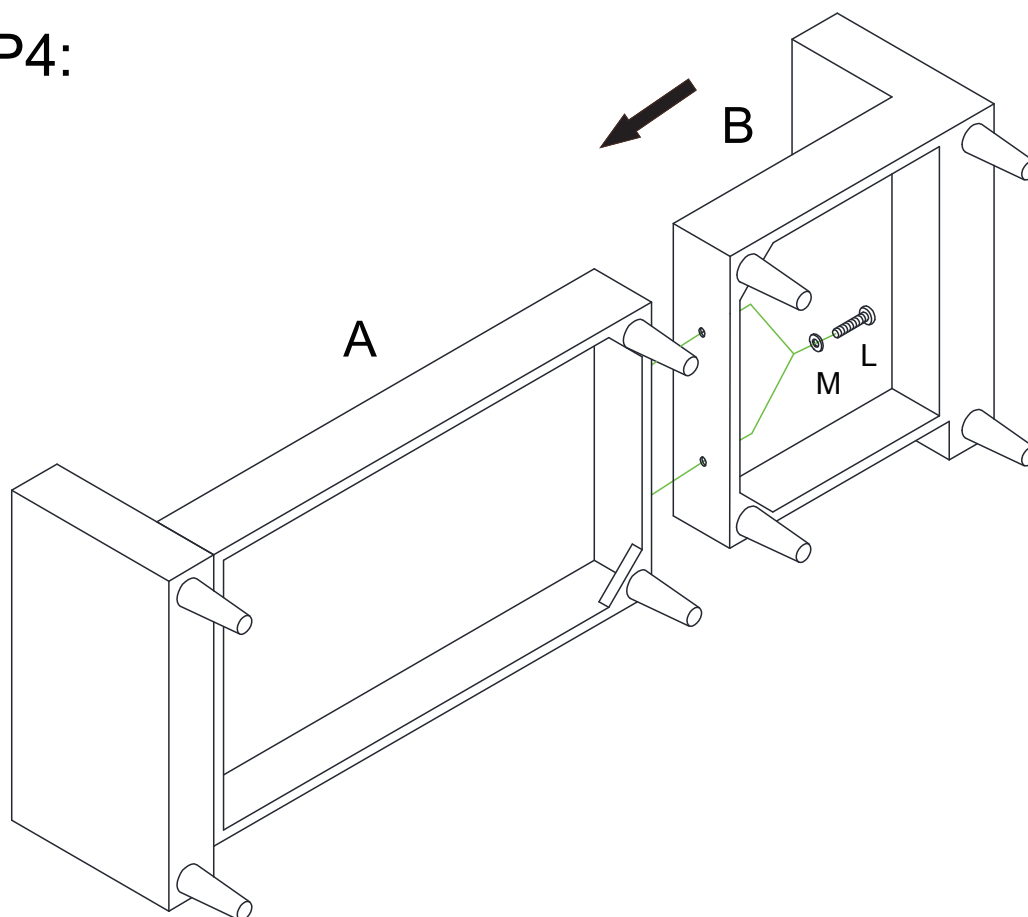
# STEP2:



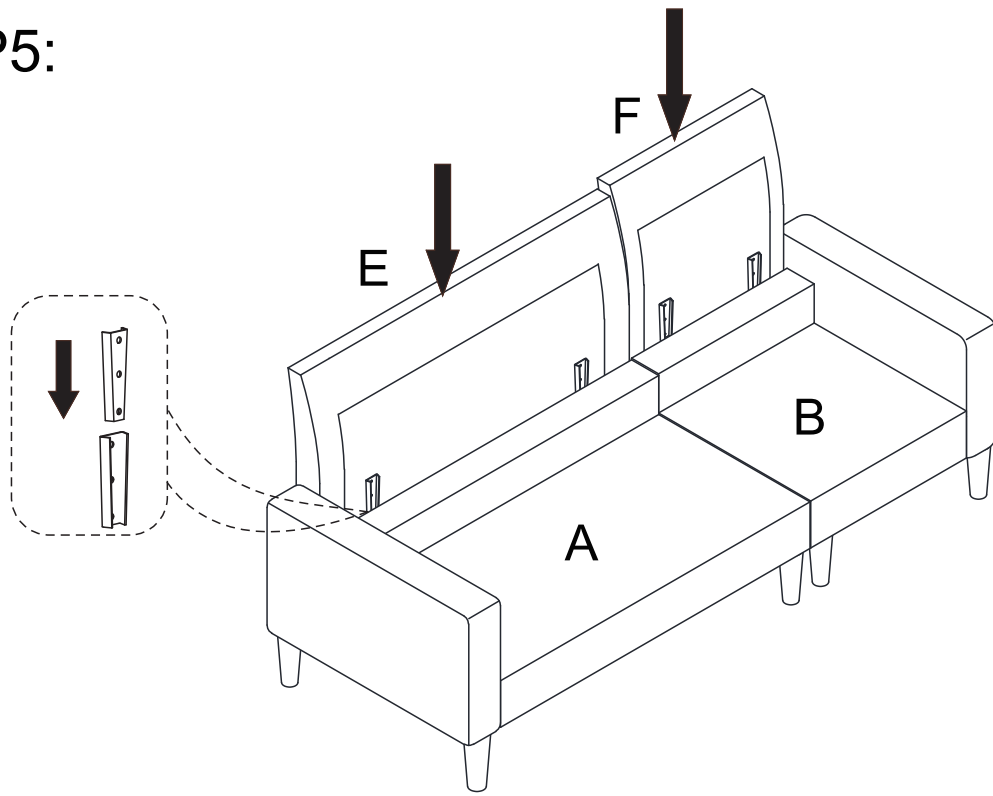
### STEP3:



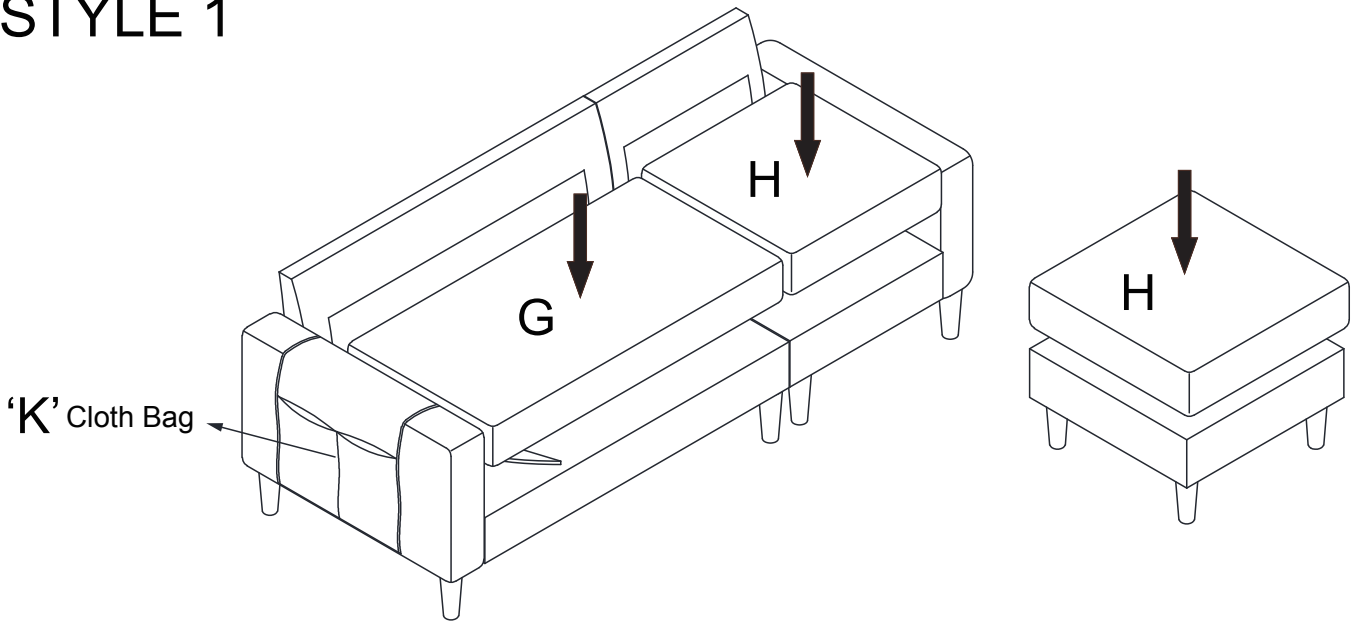
### STEP4:



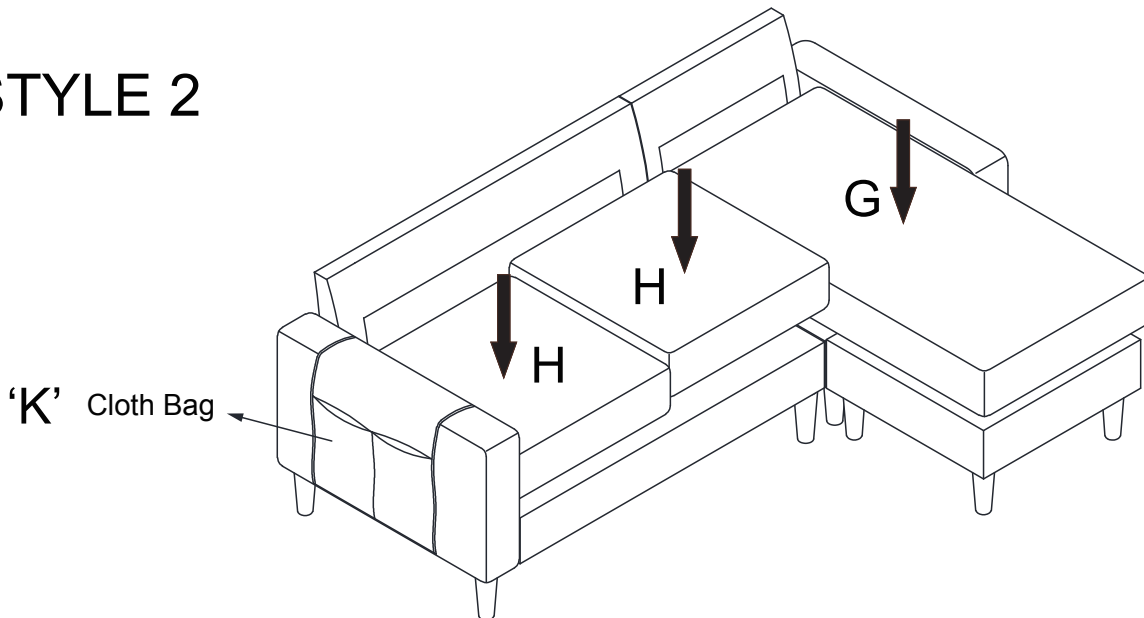
# STEP 5:



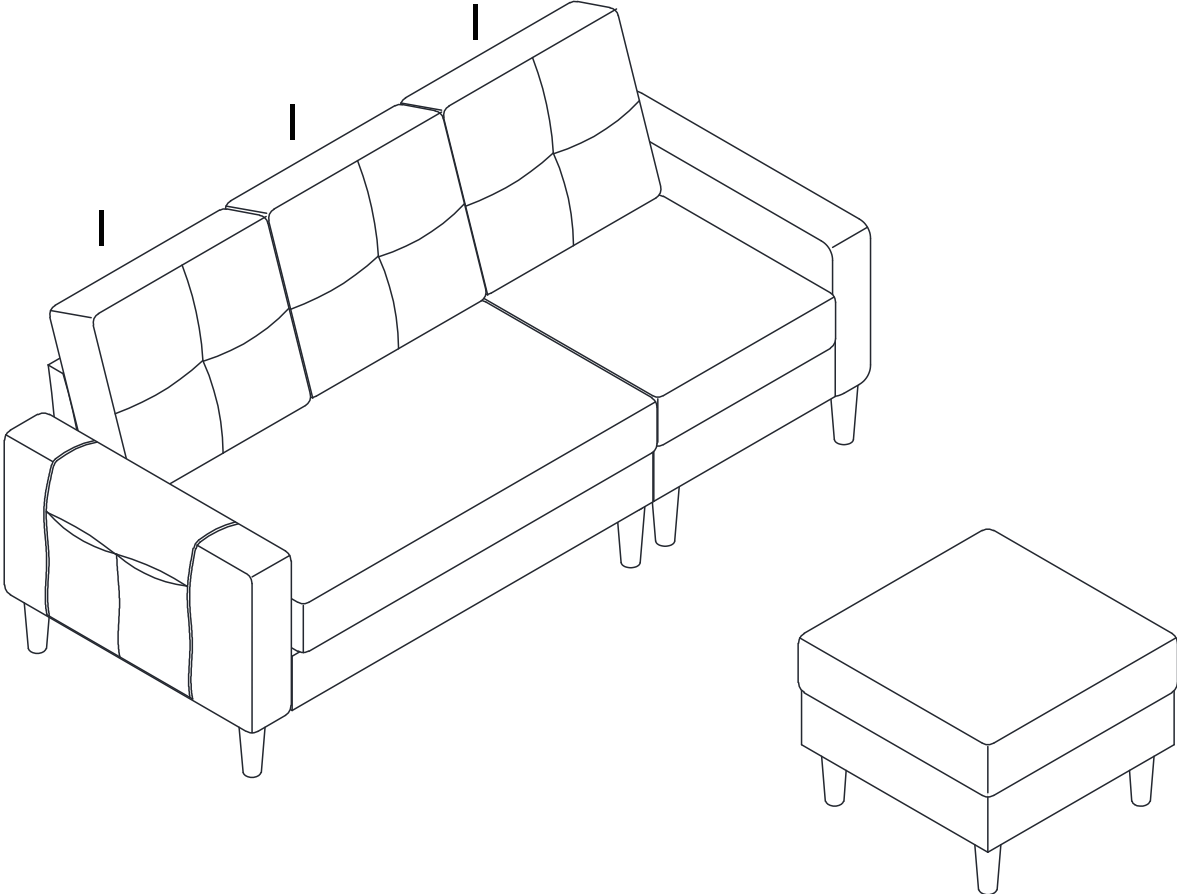
# STYLE 1



# STYLE 2



STYLE 1



STYLE 2

