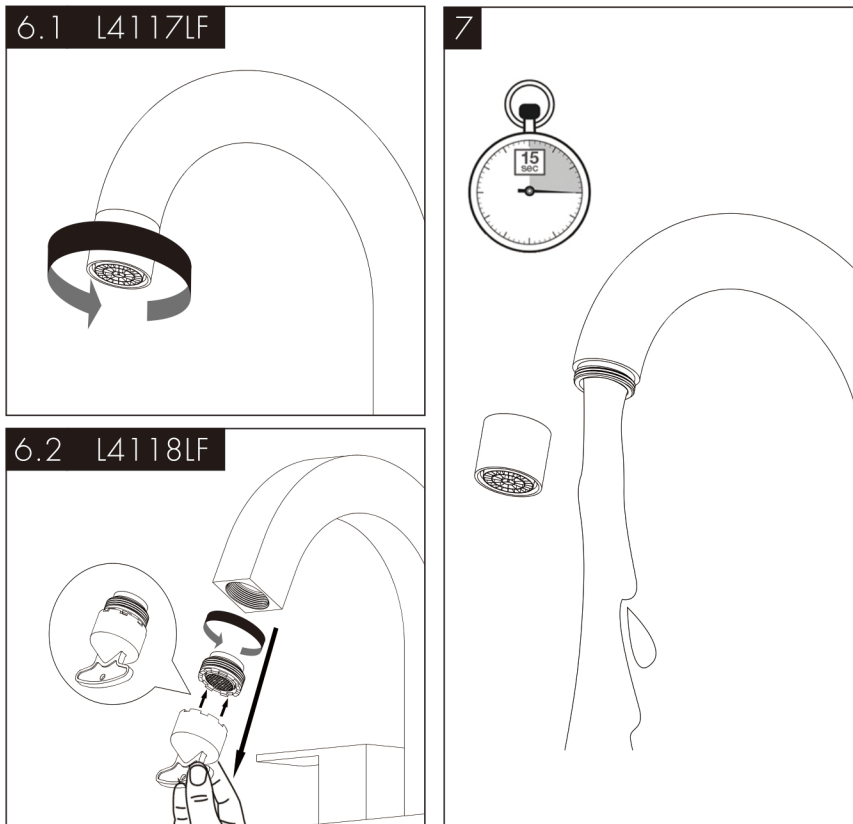


FLUSHING

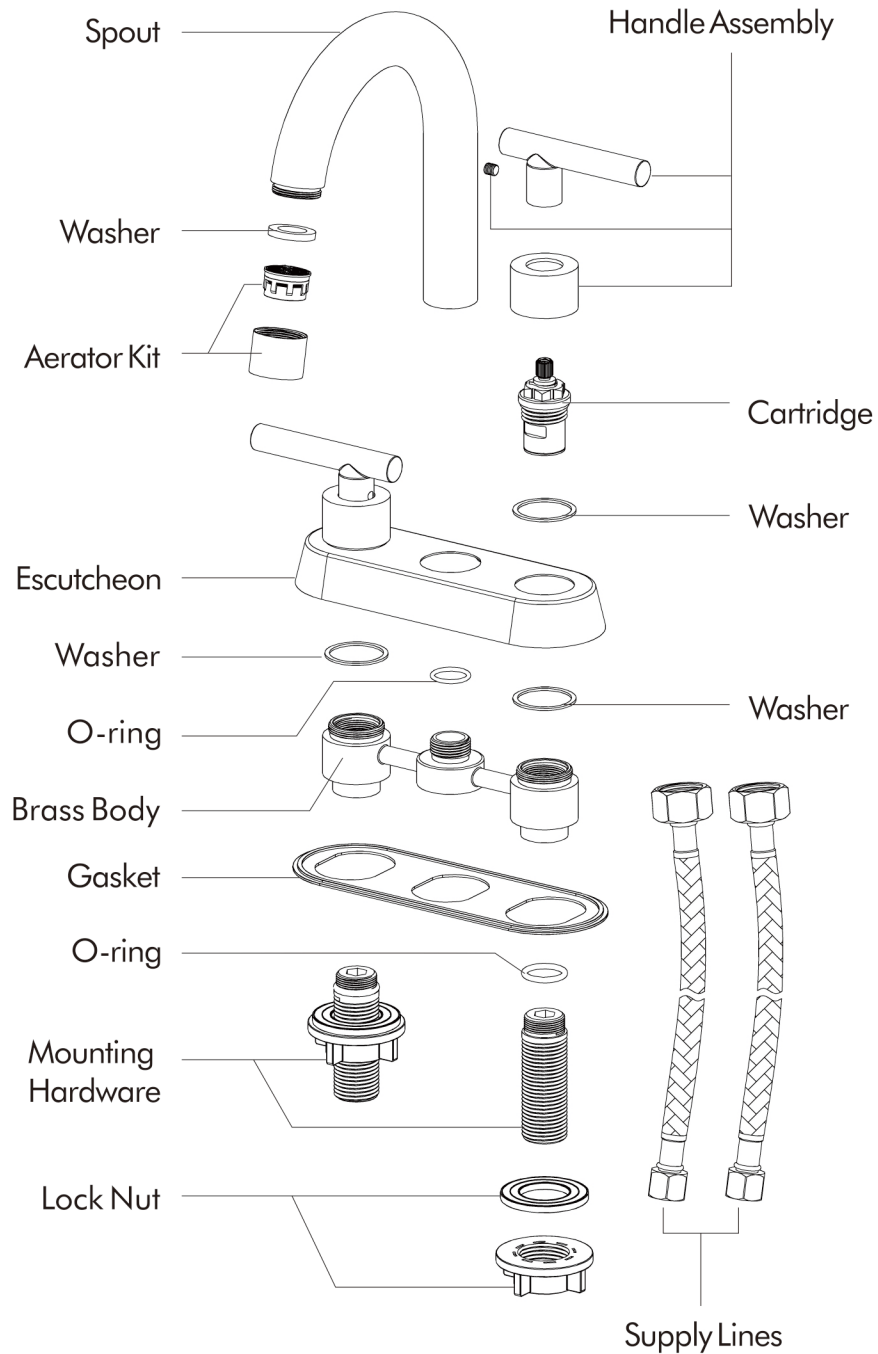
After the faucet has been installed, remove the faucet aerator, turn the water supply back on, and let water run through the faucet for at least 15 seconds to get rid of any debris that might have loosened up during the installation process. Turn the water off and then reinstall the aerator.

Notice: The aerator does not need to be removed from product L4101LF, you can directly turn on the faucet and let the water flow for 15 seconds.

BATHROOM FAUCET INSTALLATION GUIDE



ILLUSTRATED PARTS



WORKING CONDITIONS

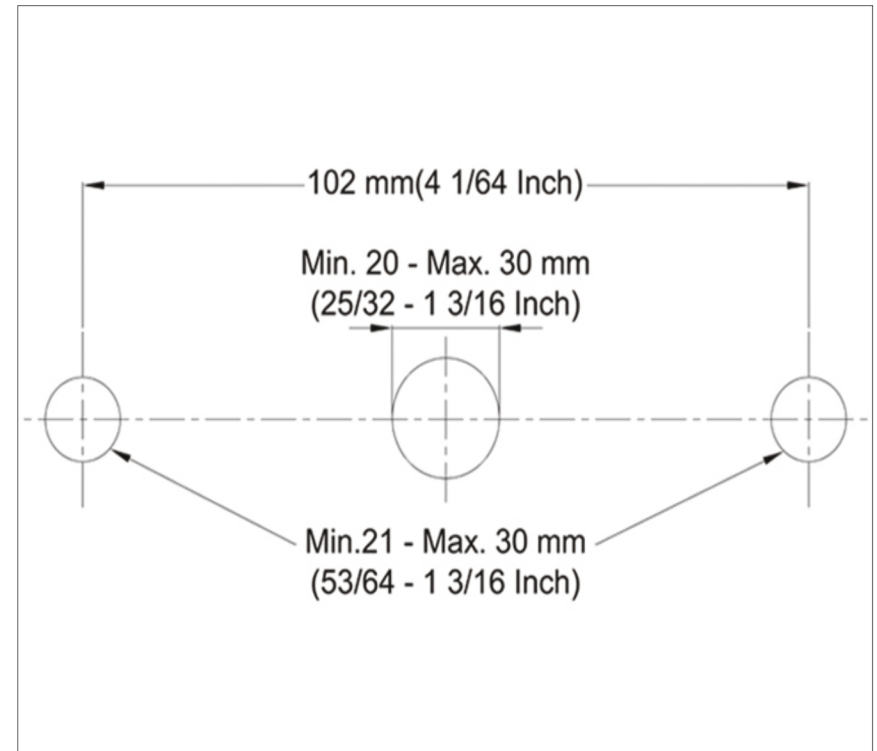
Environment Temperature: 5°C-49°C (41°F-120°F)

Inlet Water Temperature: 5°C-70°C (41°F-158°F)

Water Pressure: 0.15MPa-0.50MPa

Connection Size: 9/16-24UNEF

RECOMMENDED INSTALLATION DISTANCE



HELPFUL TOOLS



Adjustable Wrench



Allen Key



Plumber's Putty



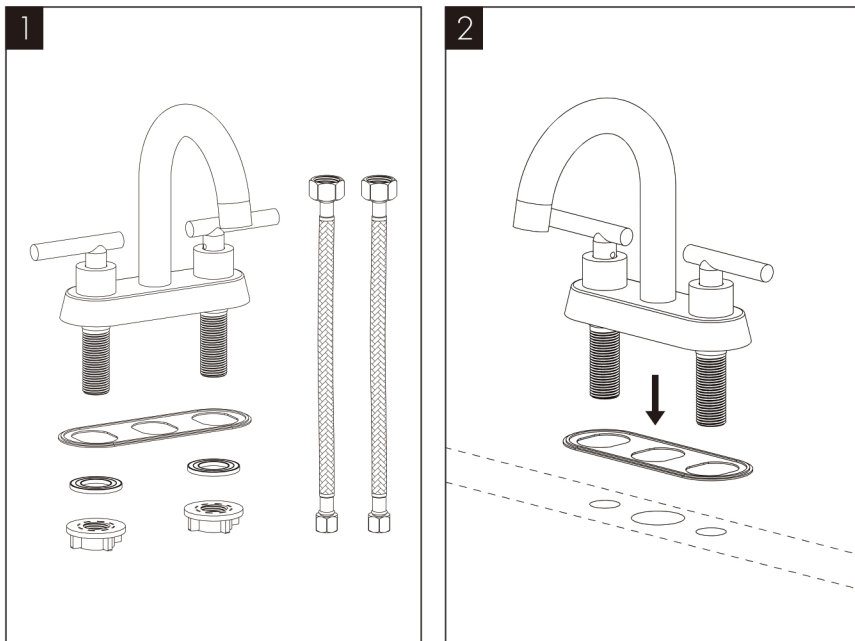
Screwdriver

WARNING

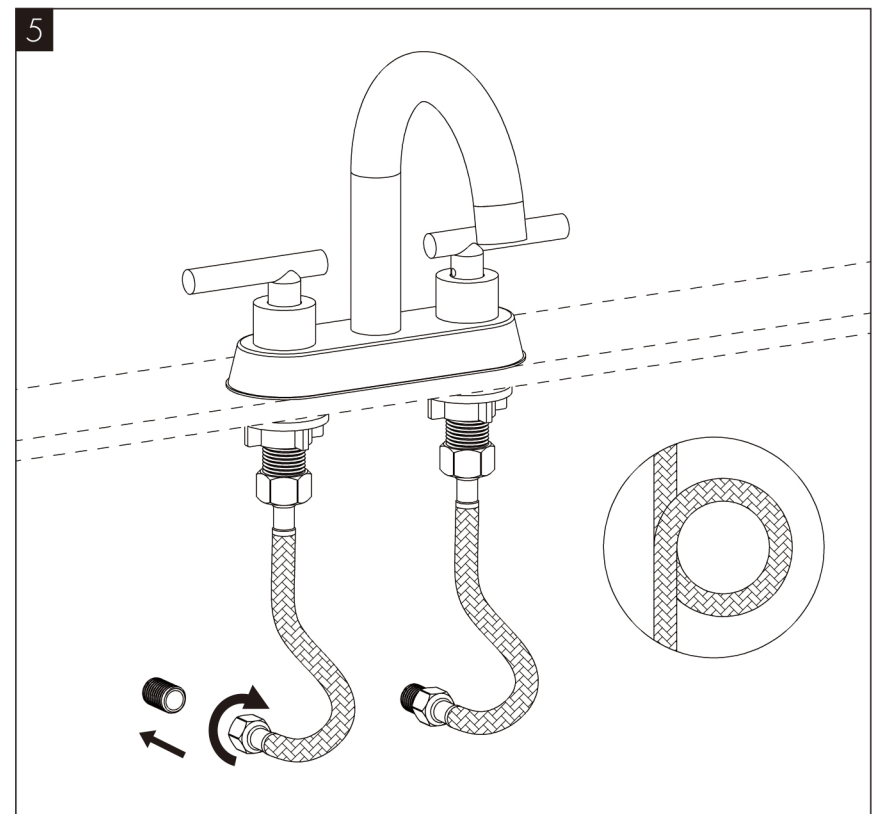
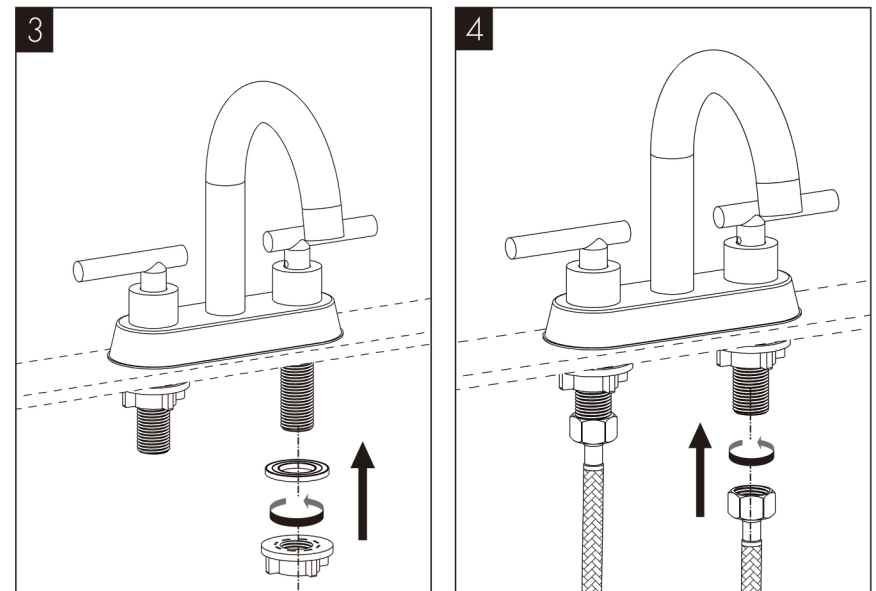
To reduce the risk of injury or property damage, read and follow all of the installation instructions before installing this product and wear safety goggles. This product must be installed in accordance with all state and local plumbing and building codes. Call a professional if you are uncertain about installing this product properly.

FAUCET INSTALLATION

Before installation, you should ideally flush your plumbing pipes to clear any debris or sediment by letting the water run for a few minutes (you can save the water in a bucket for watering plants or other uses). Next, turn off your sink's water supply. If the water supply lines are too long, they should be folded like Figure 5. A kinked line may cause water damage.



3



4