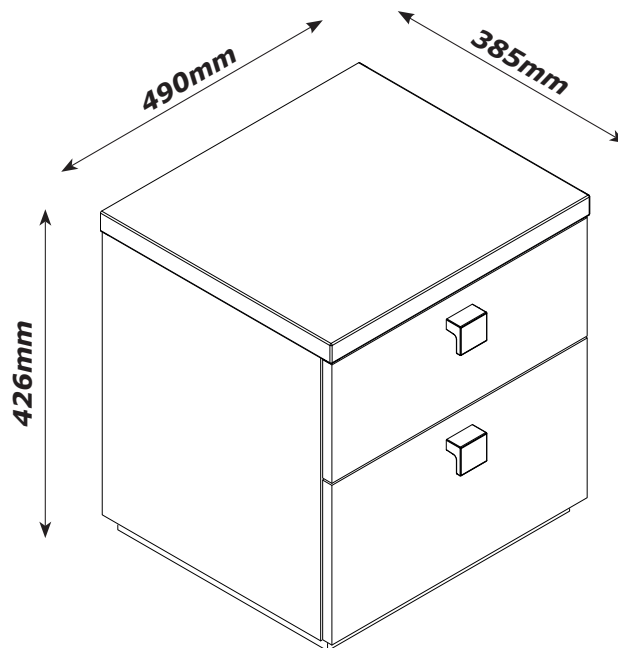
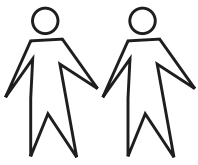


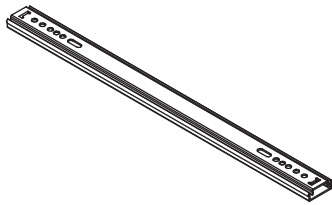
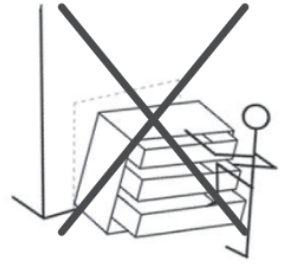
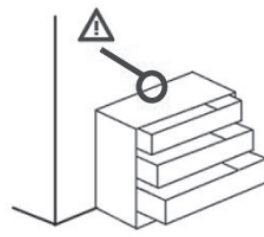
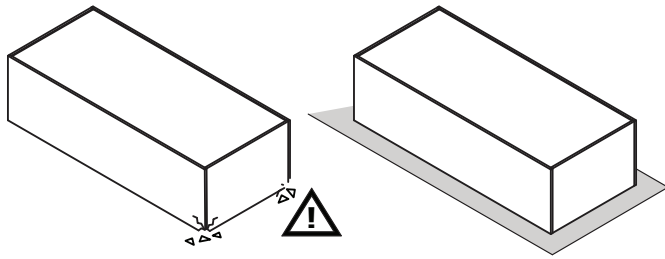
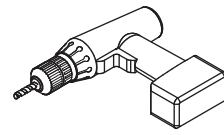
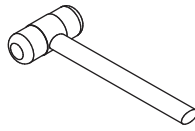
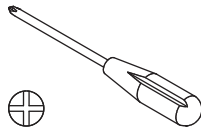
CT4546K77404



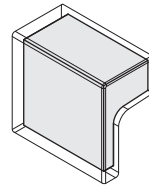
QF5635



1h

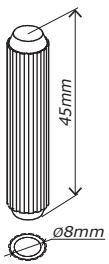


A34
x4



M211
x2

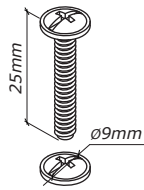
BU4712



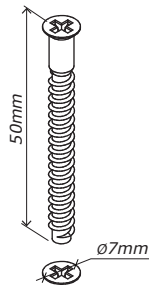
H325
x8



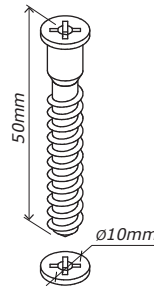
T28
x8



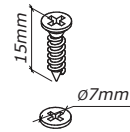
V137
x4



V130
x8



V45
x4



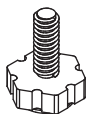
V5
x24



V38
x4



H2
x16



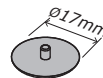
P39
x4



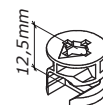
T94
x4



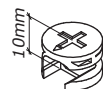
H113
x4



G136
x4



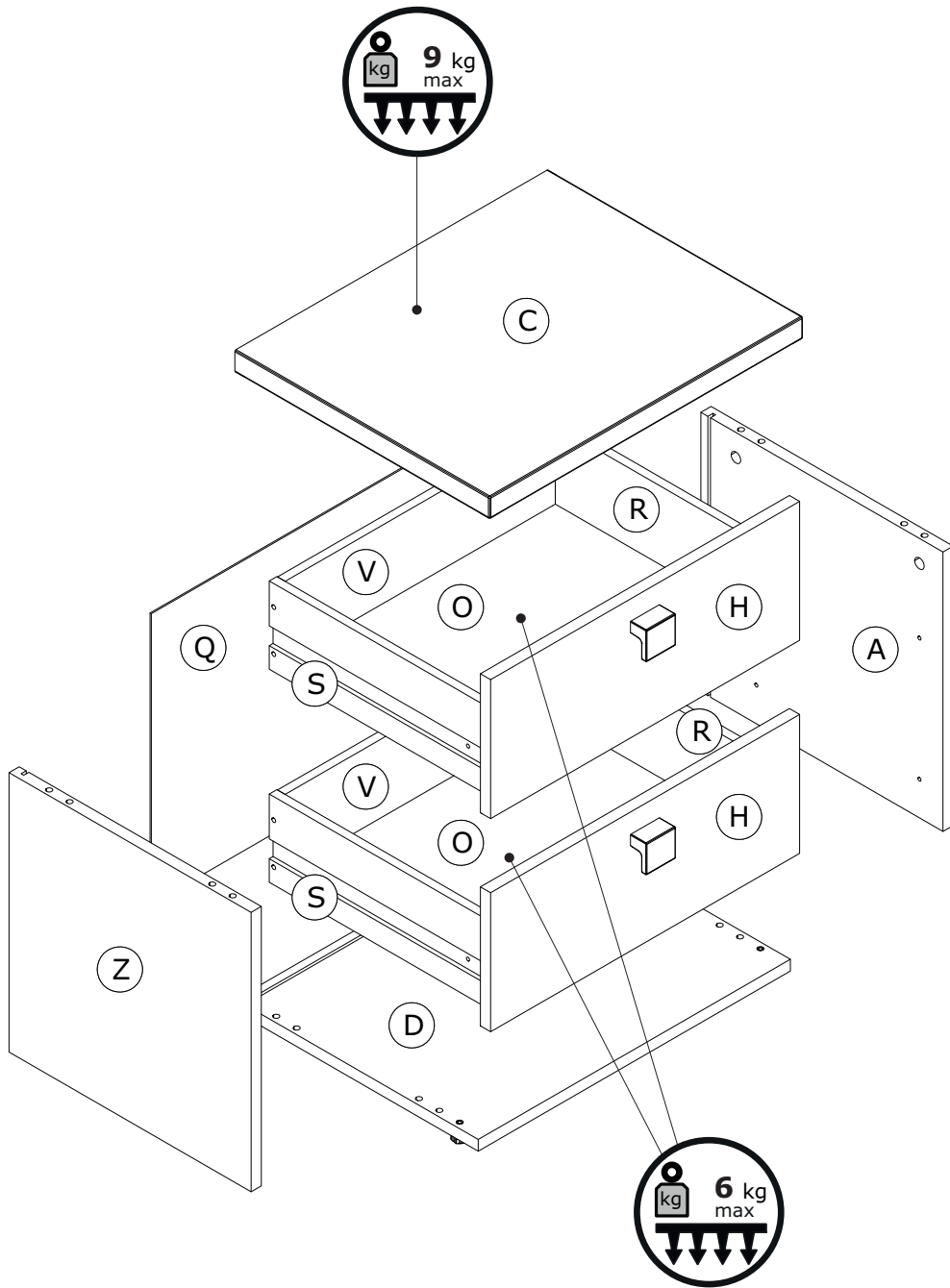
T7
x4

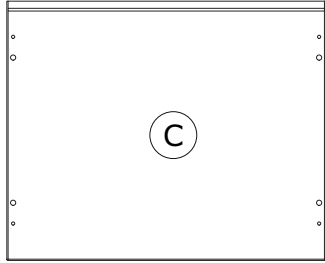


T98
x4

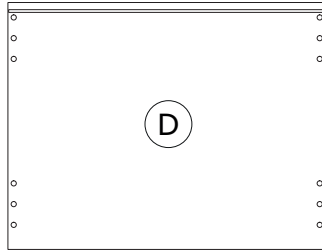


H54
x8

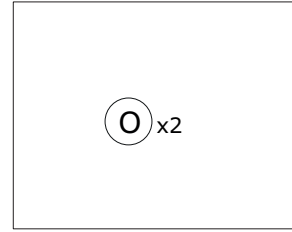




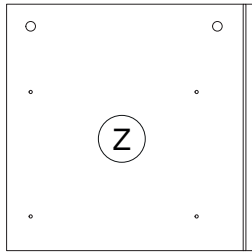
CA3797
492x400x30mm



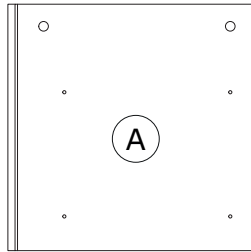
BA2322
490x381x16mm



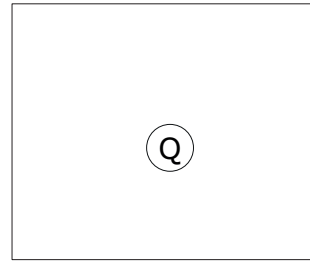
SH3534
435x350x2mm



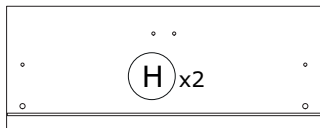
FI9098
380x380x16mm



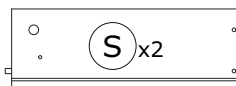
FI9097
380x380x16mm



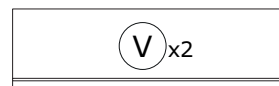
SH3581
470x395x2mm



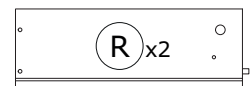
CS3908
485x189x16mm



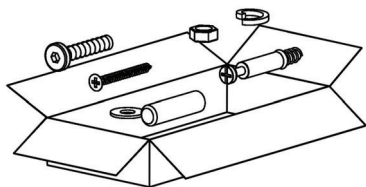
OS0326
350x120x12mm



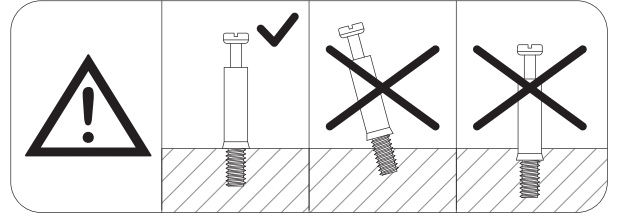
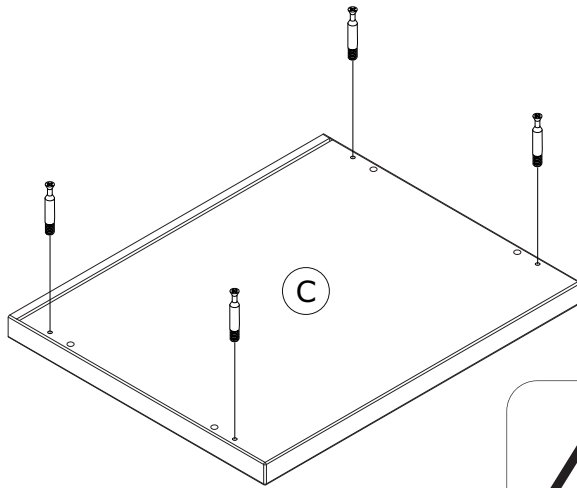
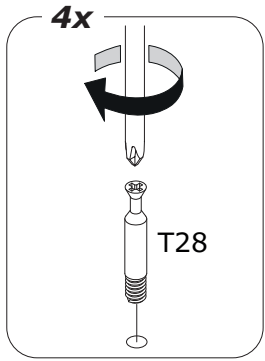
OS0322
424x120x12mm



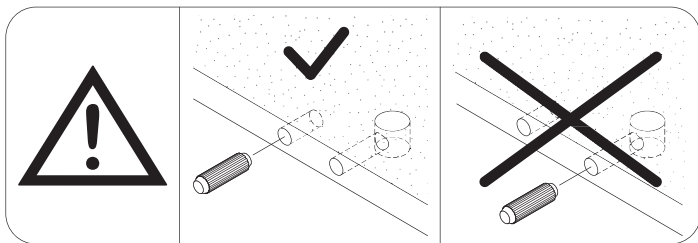
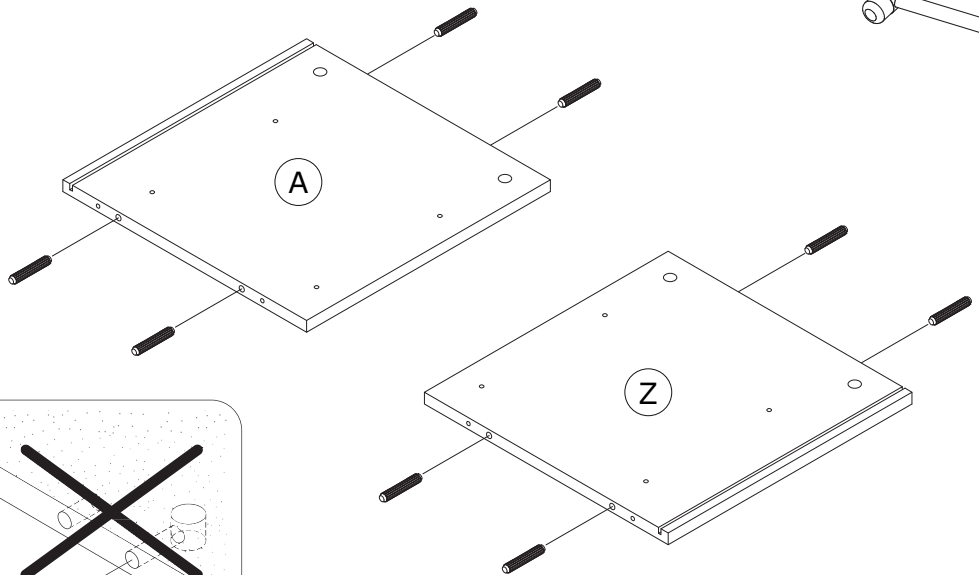
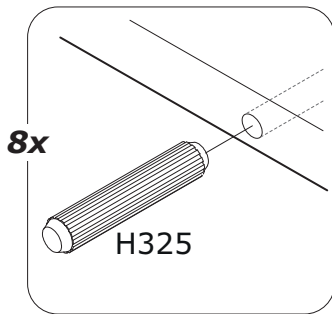
OS0325
350x120x12mm



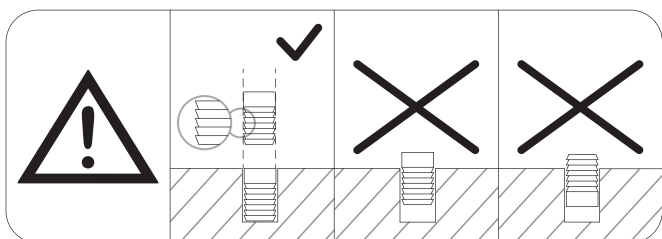
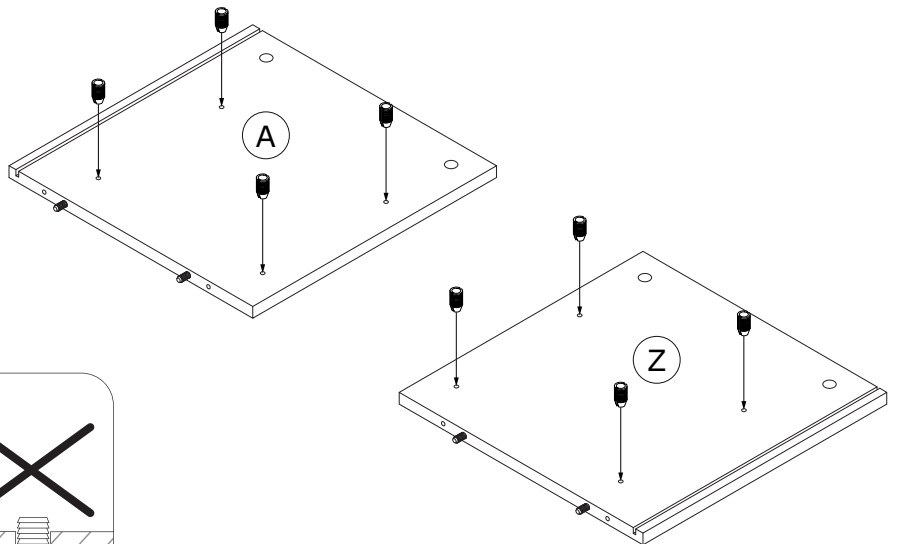
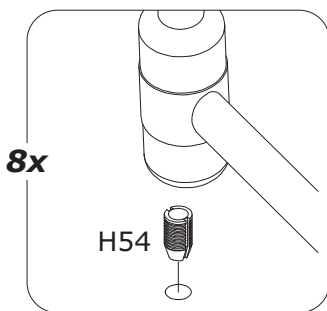
1



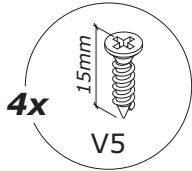
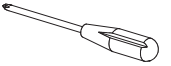
2



3



4



2x

1

2

V5

44mm

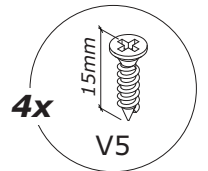
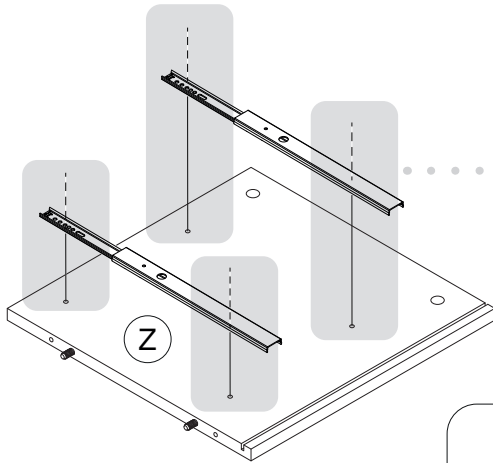
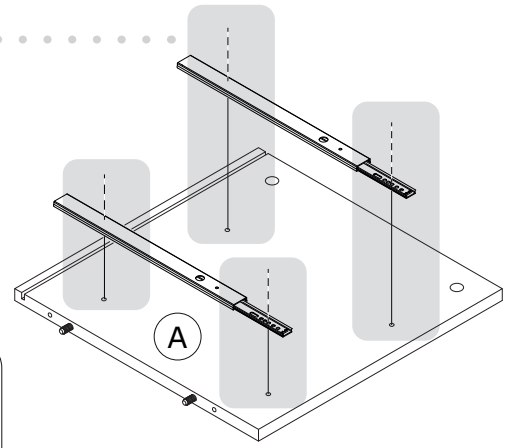
H54

A34

H54

V5

A34



2x

1

2

44mm

V5

H54

A34

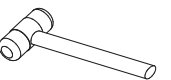
H54

V5

A34

H54

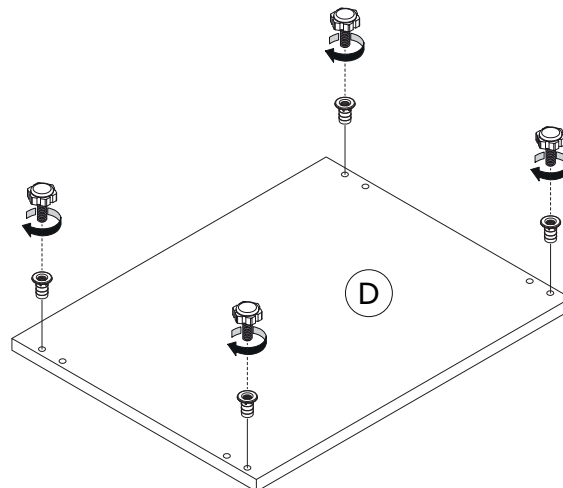
5



4x

1

T94



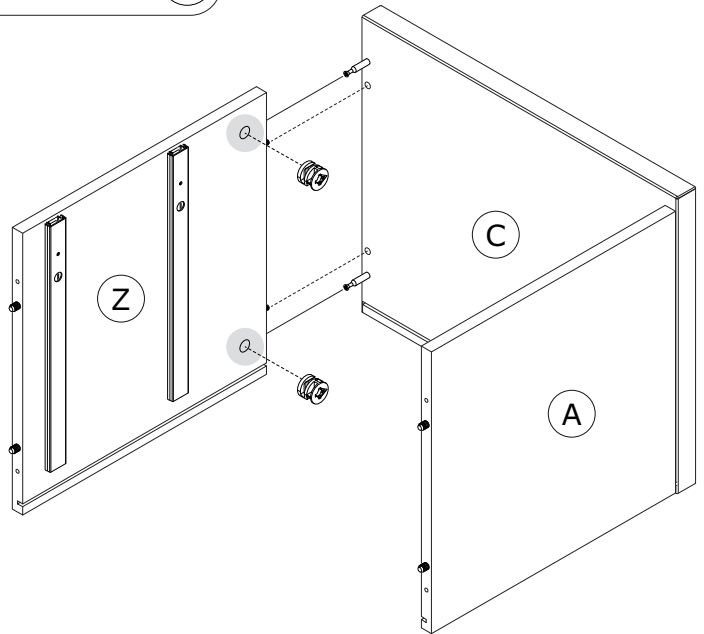
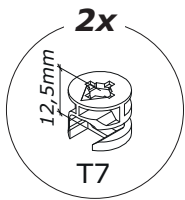
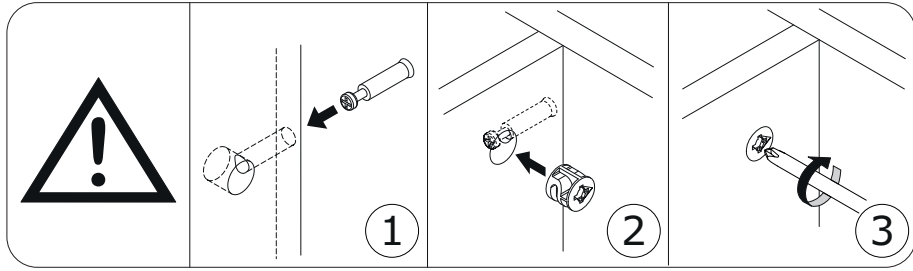
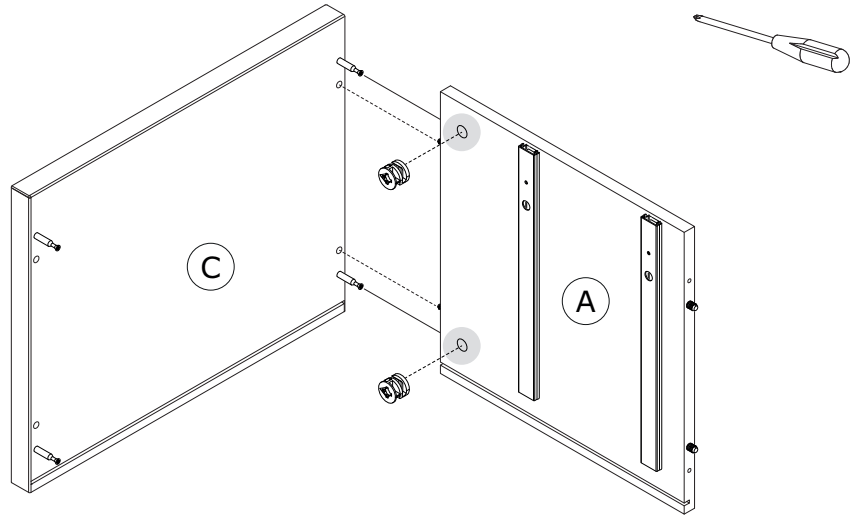
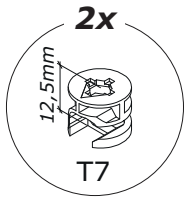
4x

2

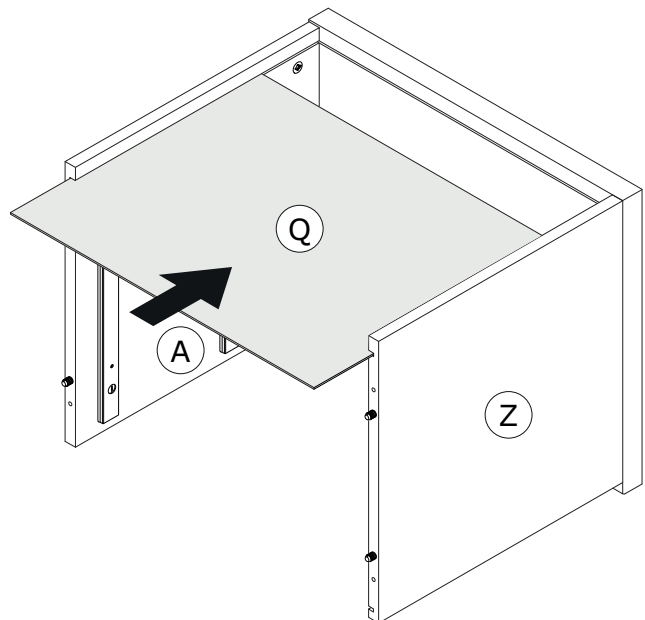
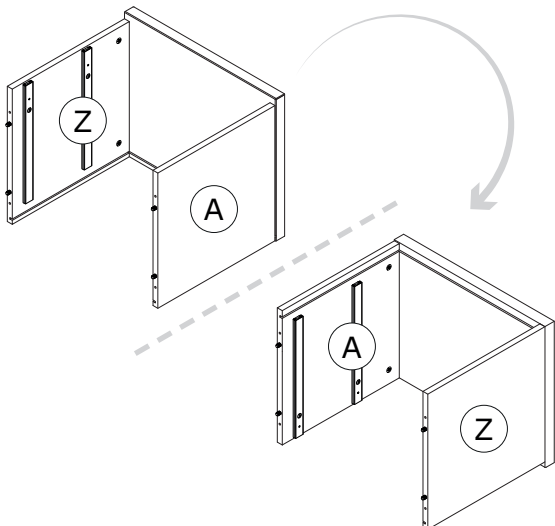
P39

T94

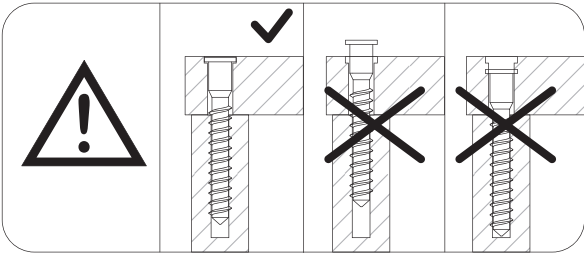
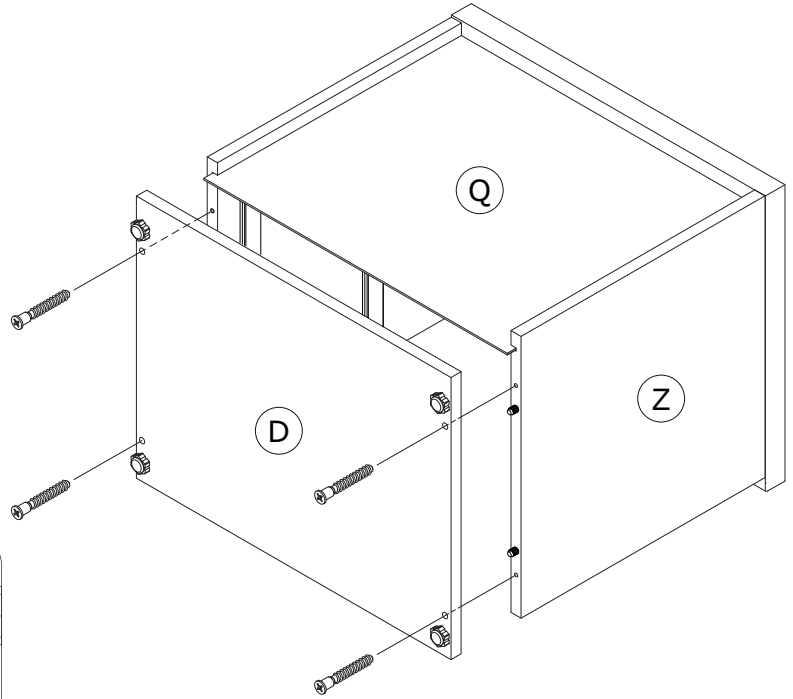
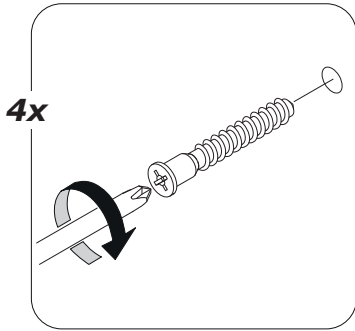
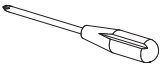
6



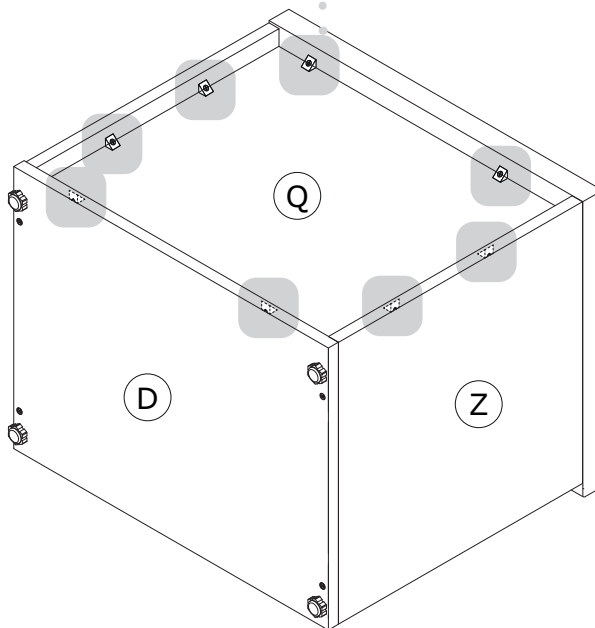
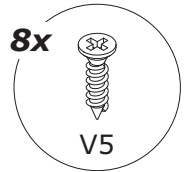
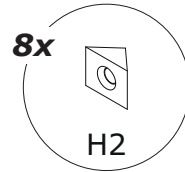
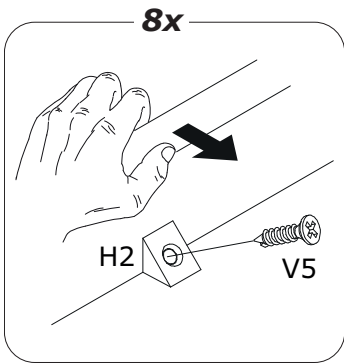
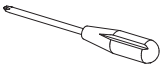
7



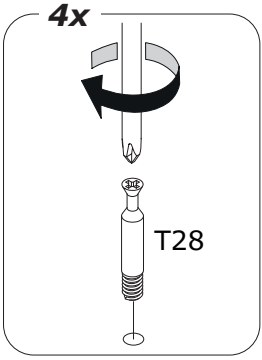
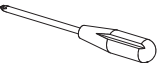
8



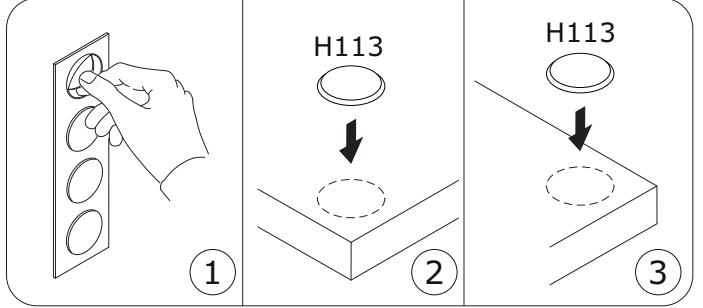
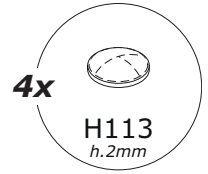
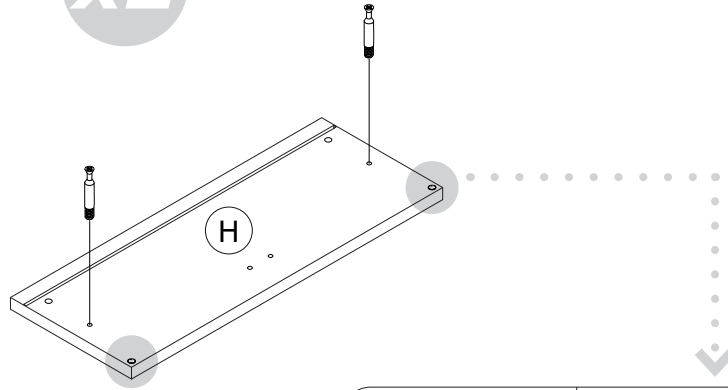
9



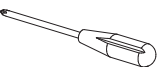
10



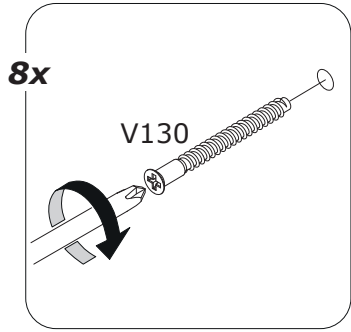
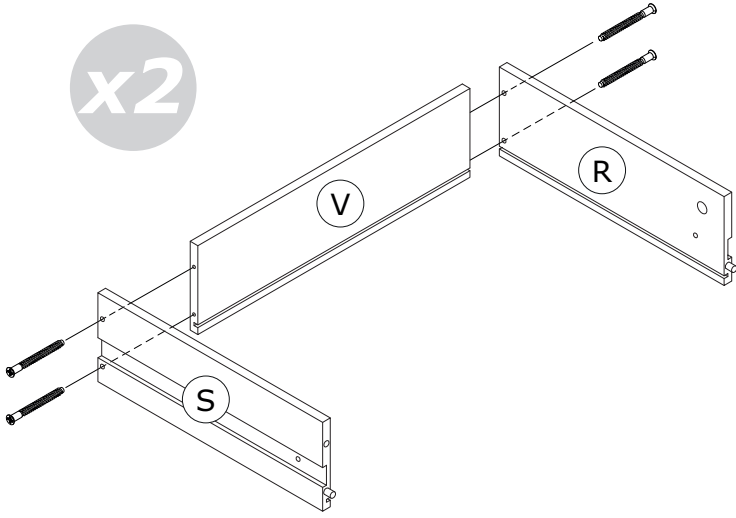
x2



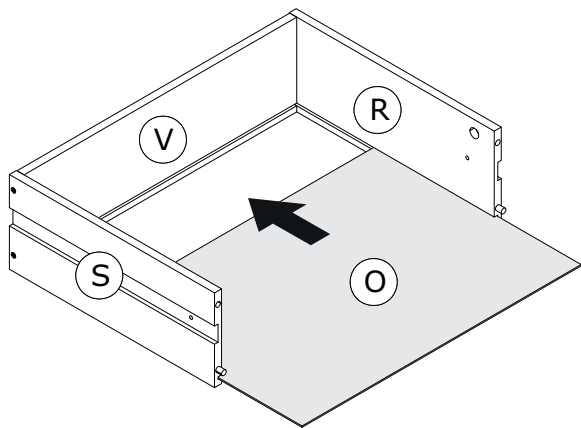
11

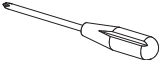


x2

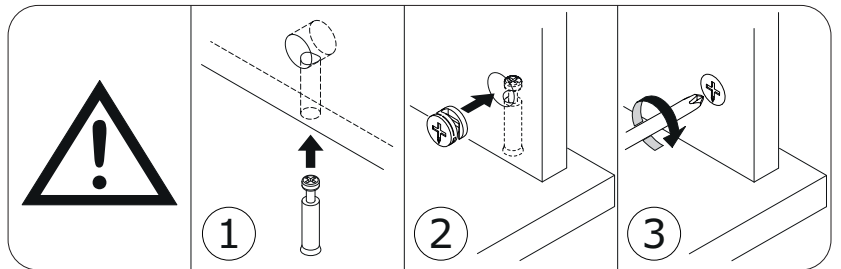
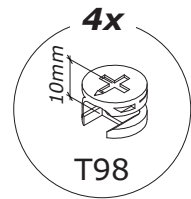
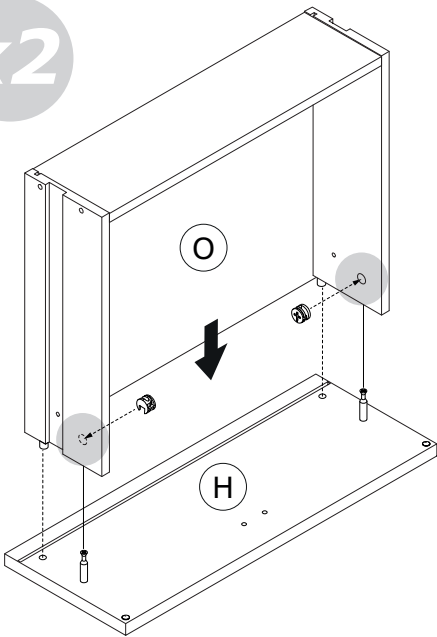


x2

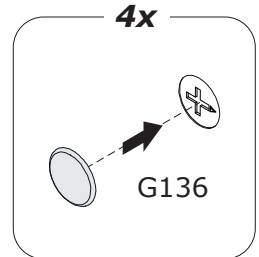
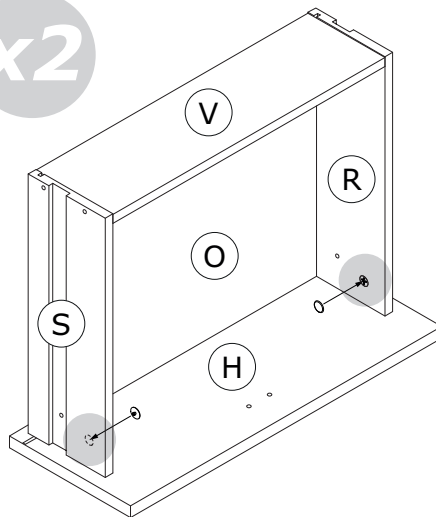




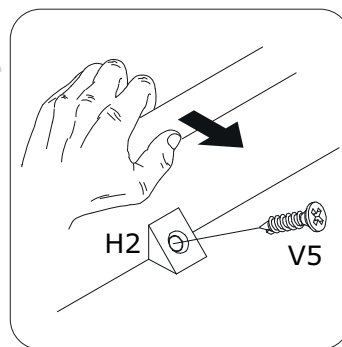
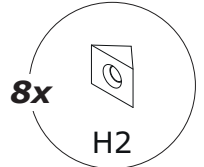
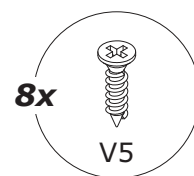
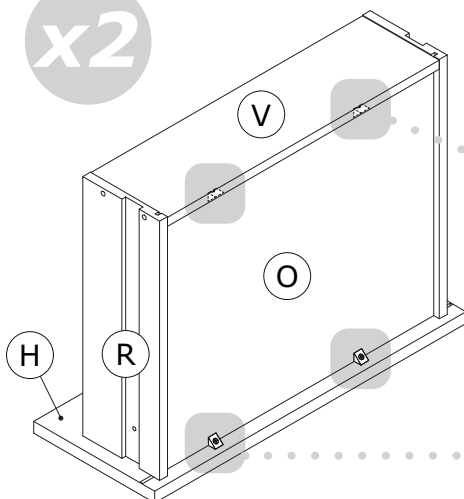
x2



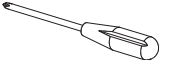
x2



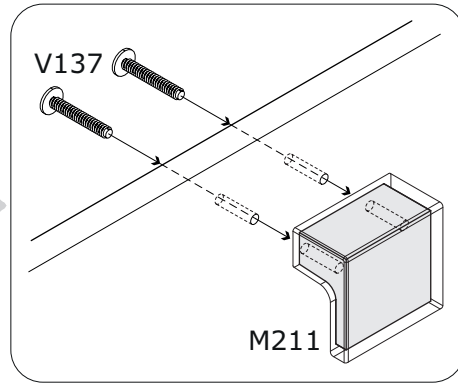
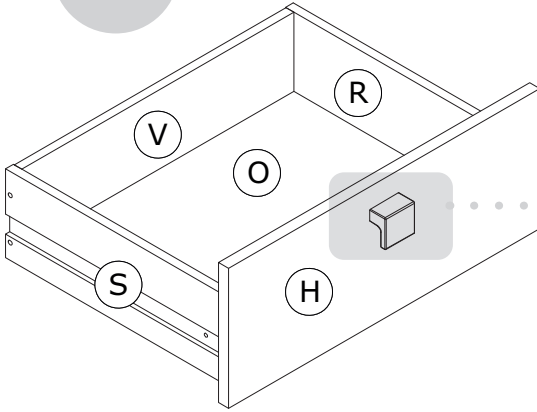
x2



13



x2



14

