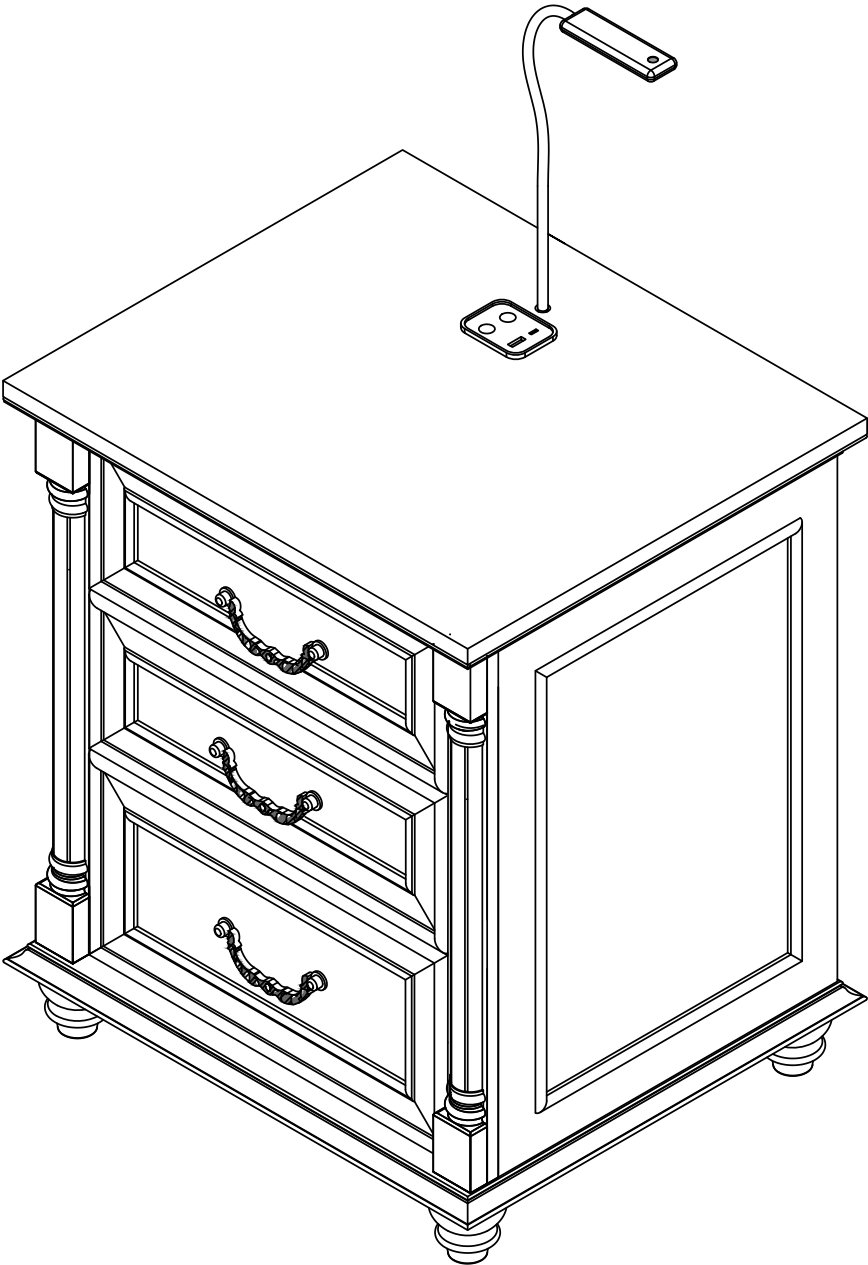
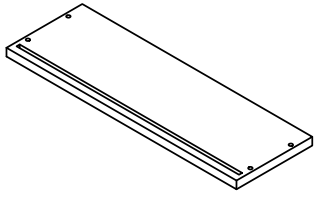
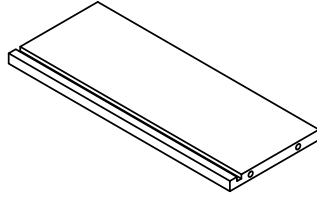


91085 Product Installation Instructions

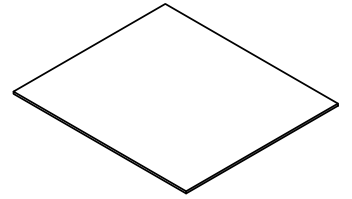




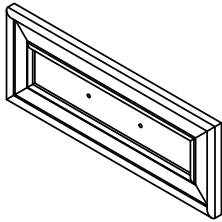
1 x2



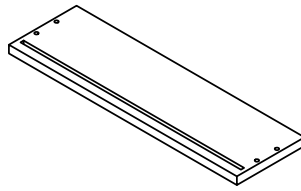
2 x4



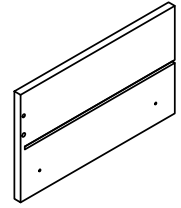
3 x2



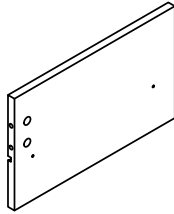
4 x2



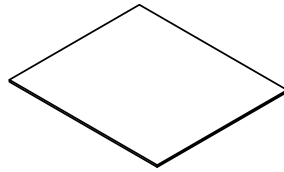
5 x1



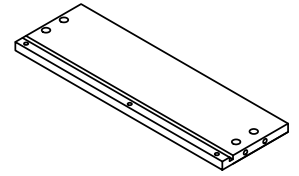
6 x1



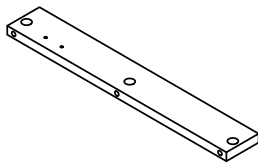
7 x1



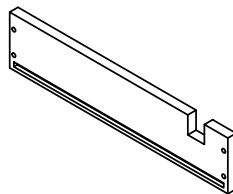
8 x1



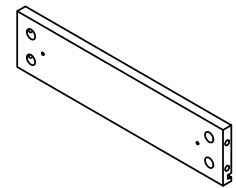
9 x1



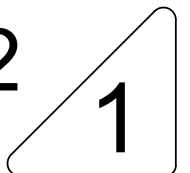
10x1

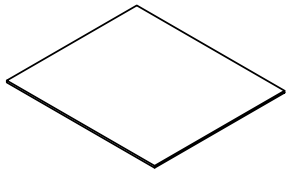


11x1

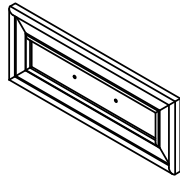


12x2

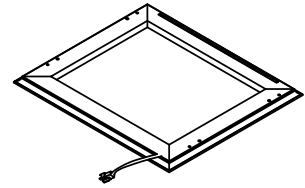




13x1



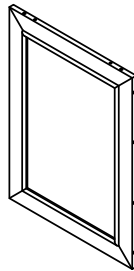
14x1



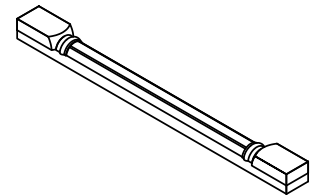
15x1



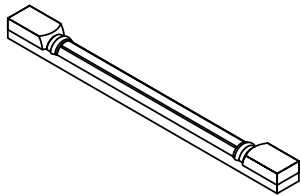
16x4



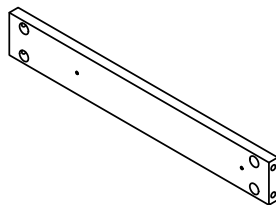
17x2



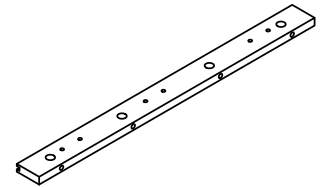
18x1



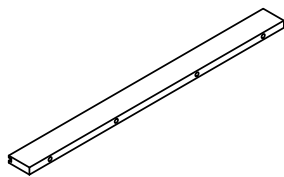
19x1



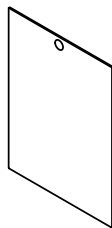
20x6



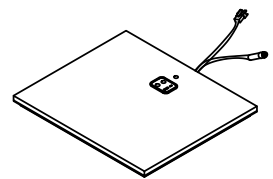
21x1



22x1

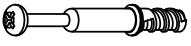


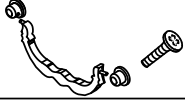
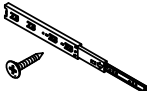
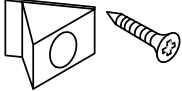

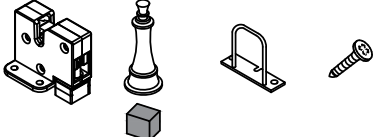

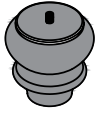
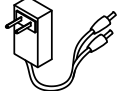


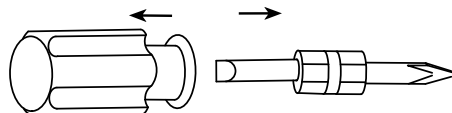
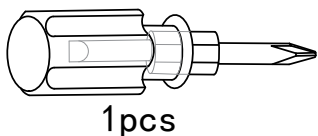
23x1



24x1

Accessories list

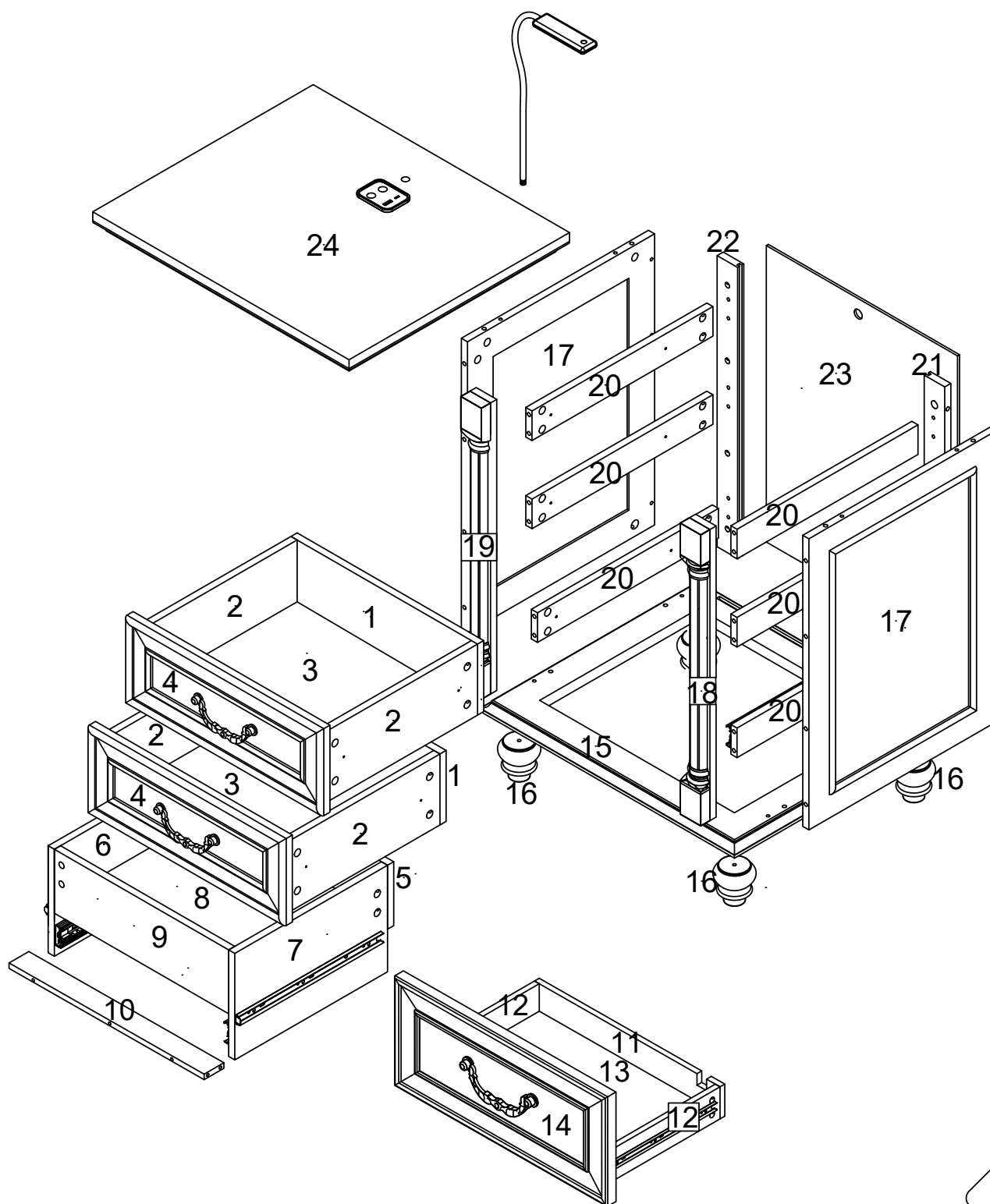
A		Two In One Screw (6x28mm)	83pcs +4pcs
B		Two In One Nut (10x12mm)	83pcs +4pcs
C		Wood Chipping (6x30mm)	8pcs +2pcs
D		Handle & Screw (4x8mm)	6pcs +2pcs 3pcs
E		Screw & Guide (29cm) (3x12mm)	40pcs +4pcs 8pcs
F		Fixing Clip & Screw (3x16mm)	4pcs +2pcs
G		Non-slip pads (φ 20x3mm)	4pcs +2pcs
H		Concealed lock & Screw (3x10mm)	6pcs +2pcs 2pcs 1pcs 1pcs 1pcs
I		Lamp	1pcs
		Wooden feet (φ 60x60mm)	4pcs
		AC/DC Adapter (12V=2.0A)	1pcs

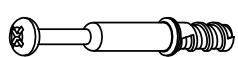





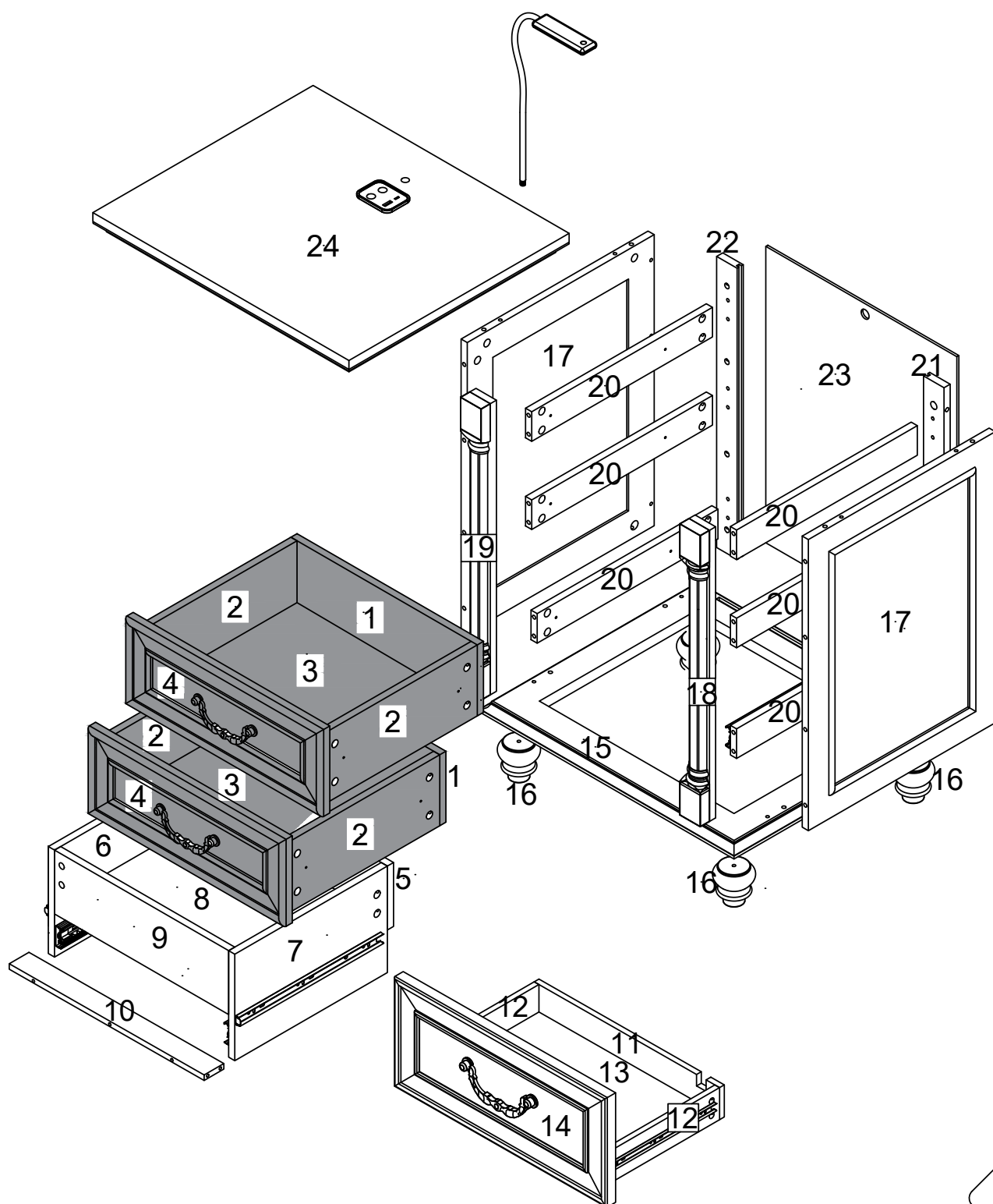
Double-head screwdriver, use as required

3

Product structure decomposition

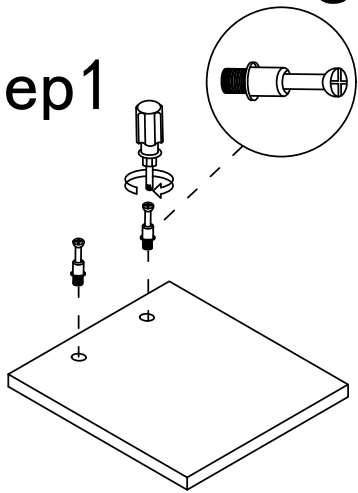


A		16pcs	B		16pcs
D		4pcs 2pcs	E		4pcs 8pcs

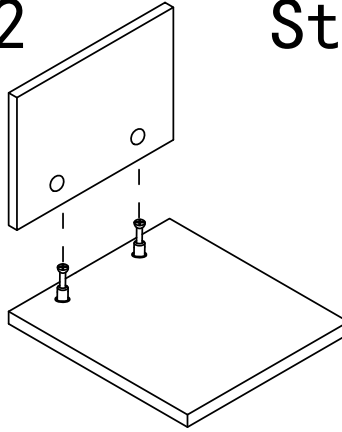


Use parts A and B

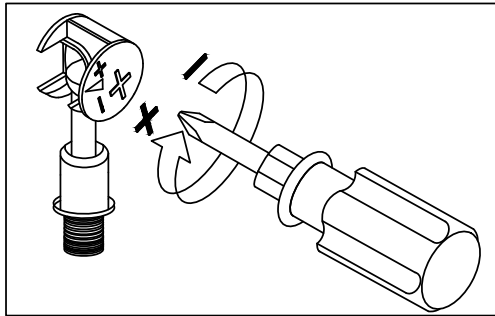
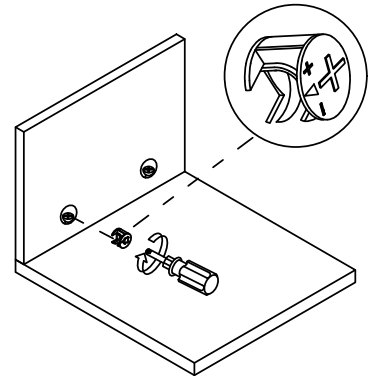
Step 1



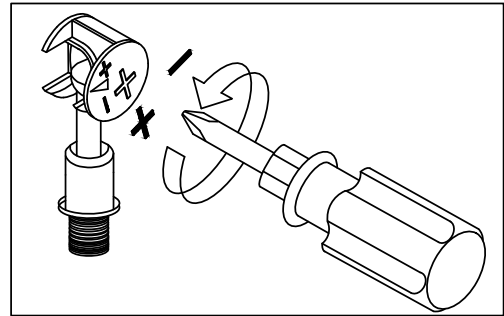
Step 2



Step 3

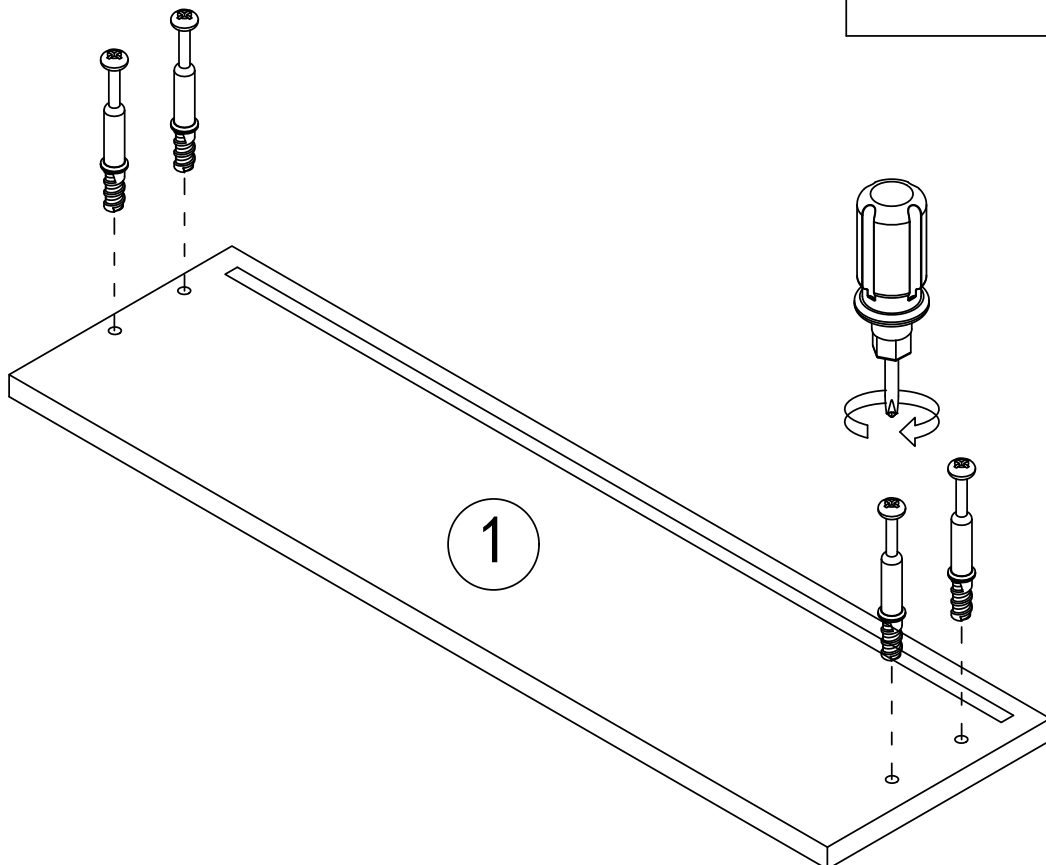


Use a screwdriver to lock in the direction of the "+" sign

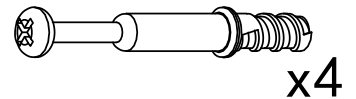


Disassemble along the direction of "-" sign

Step 1

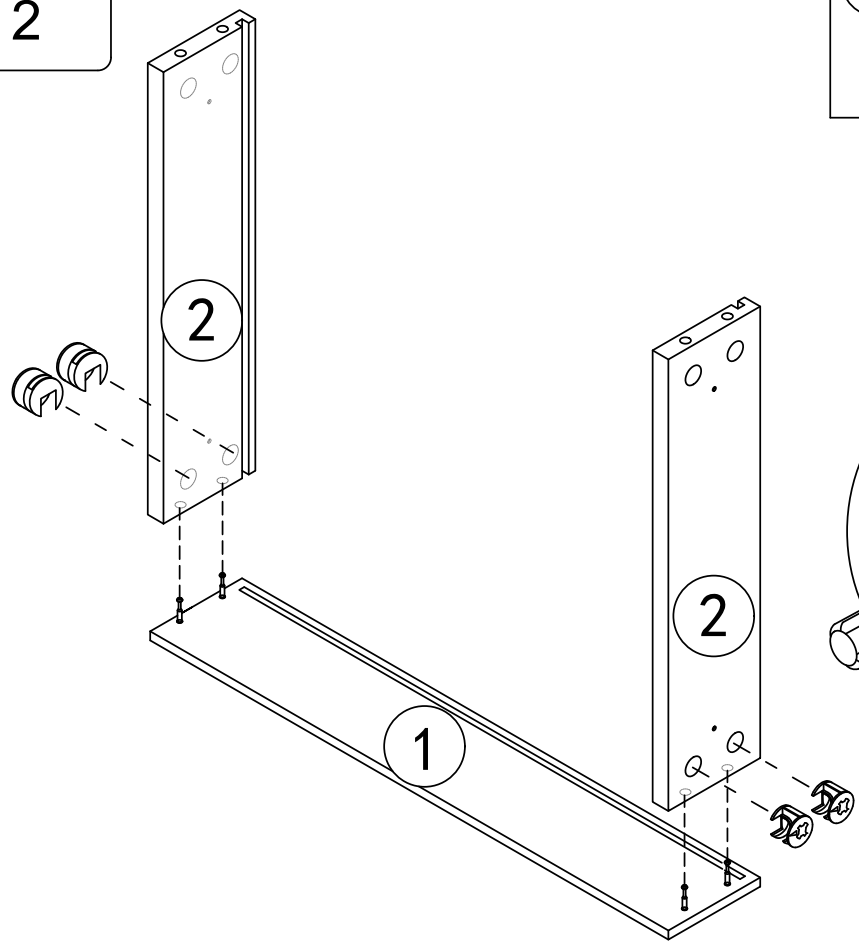



A

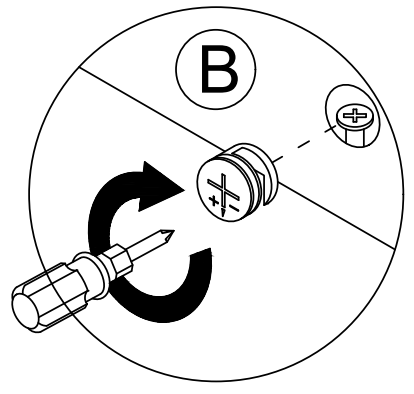


6

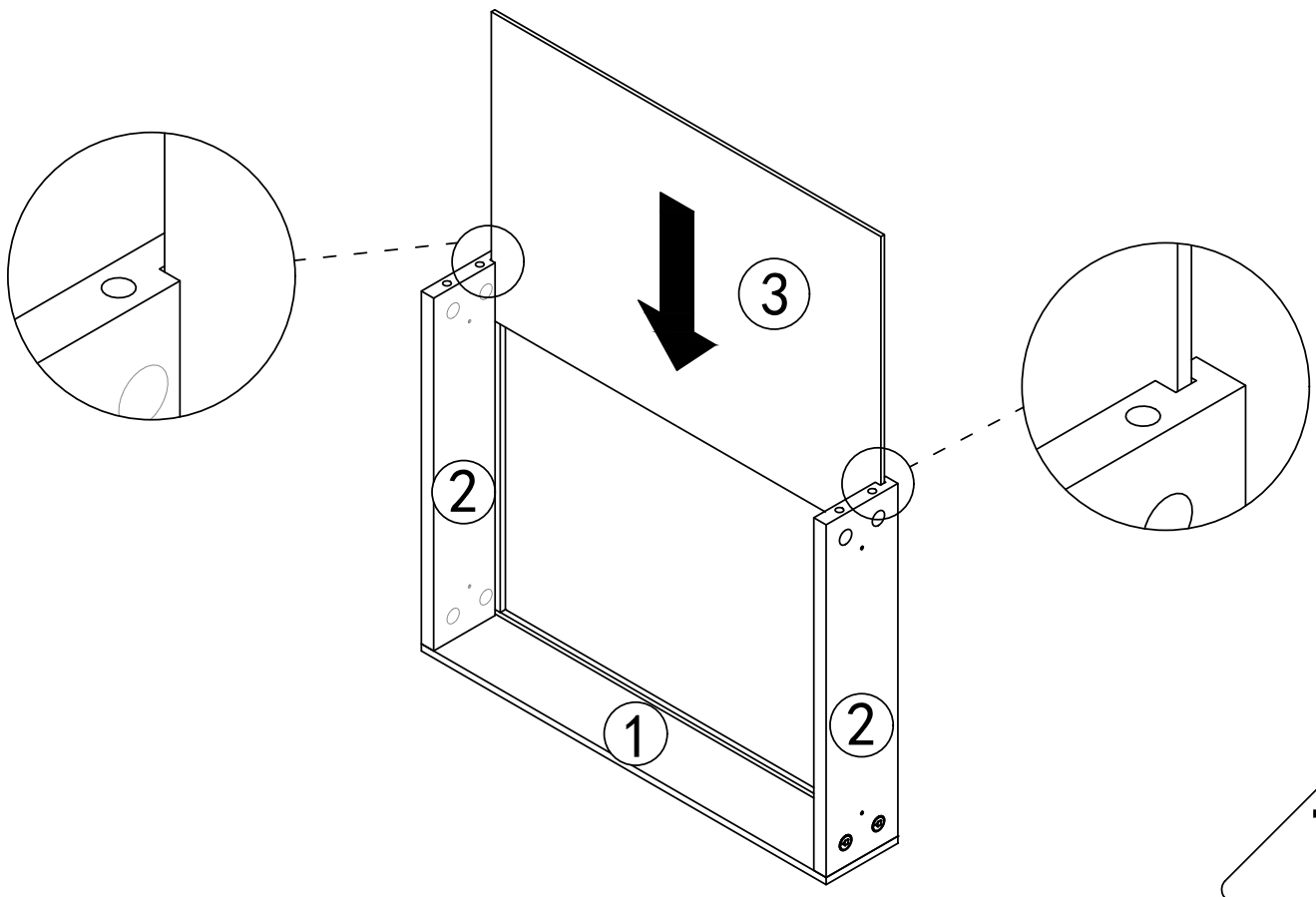
Step 2



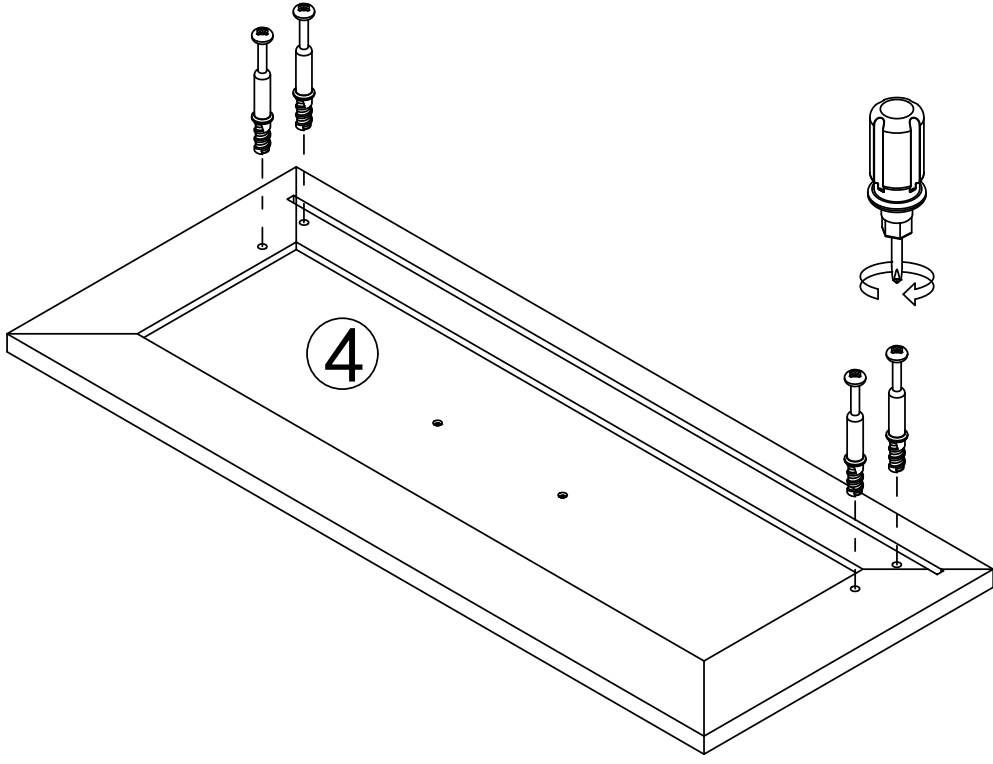
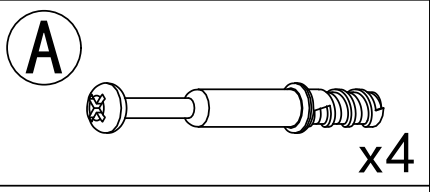
B  x4



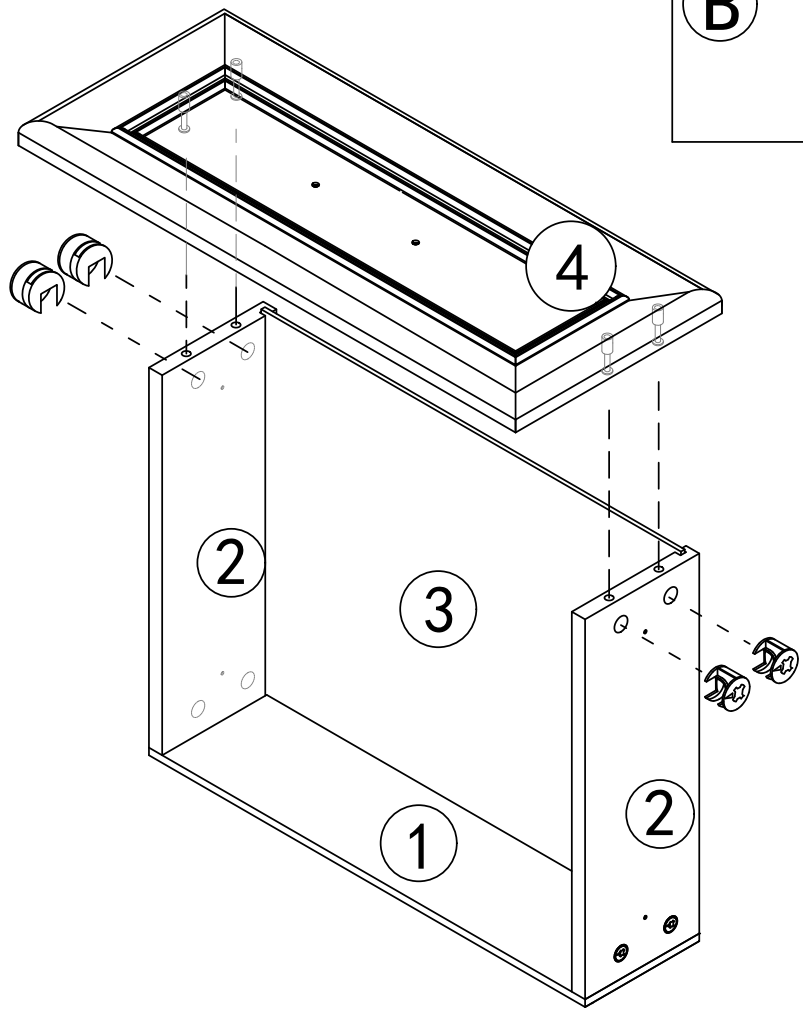
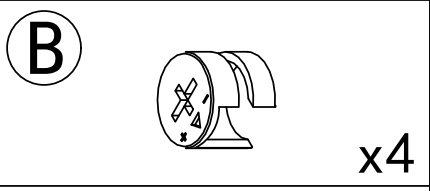
Step 3



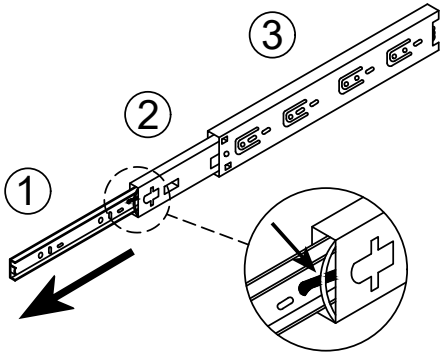
Step 4



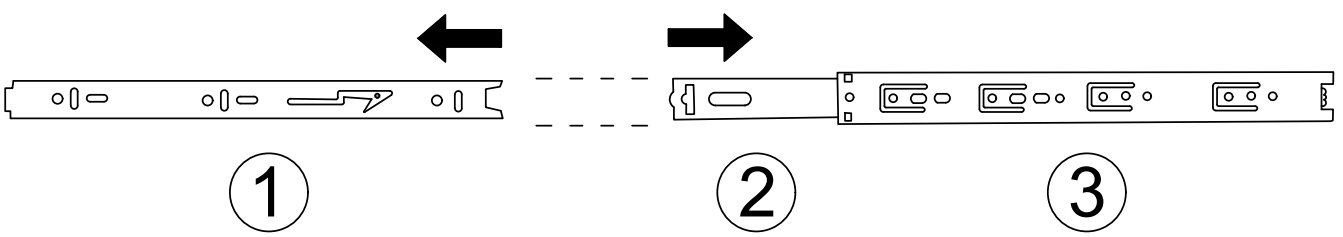
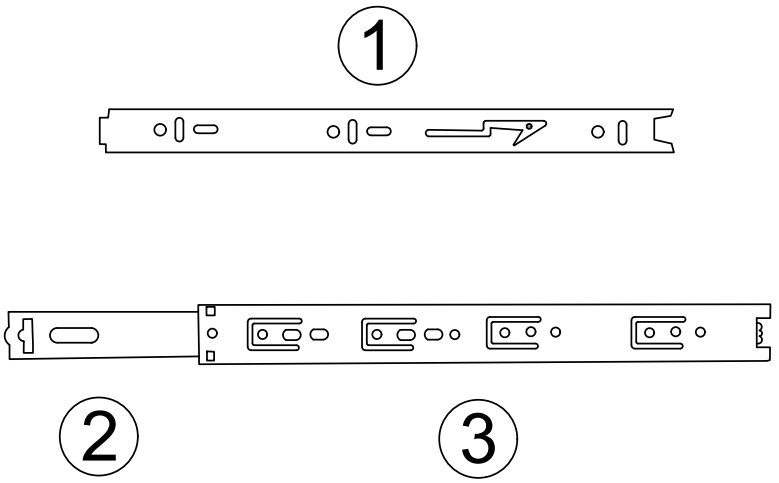
Step 5



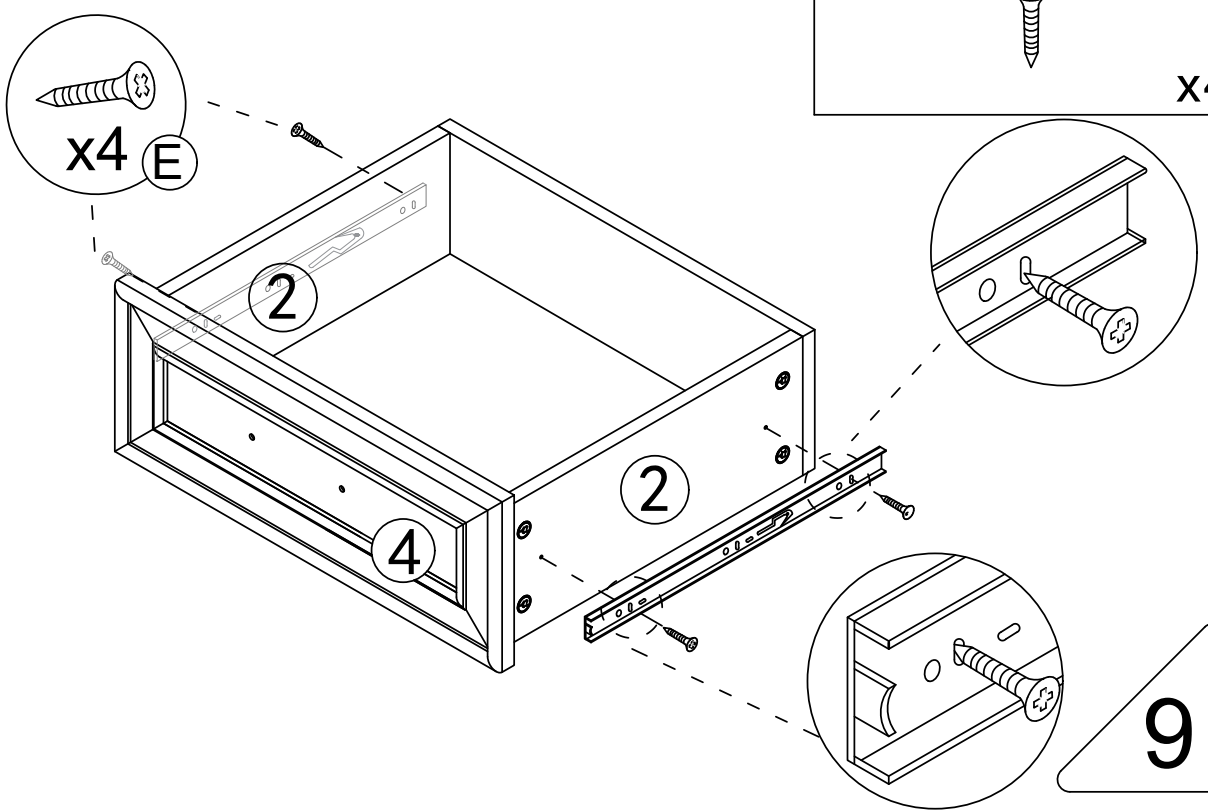
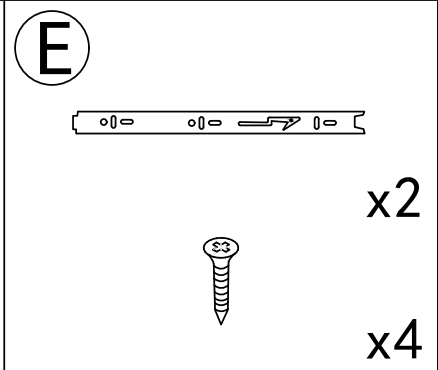
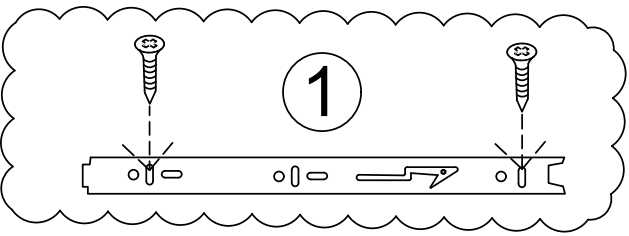
Drawer rail breakdown diagram



Step 1 : Pull the rails apart
 Step 2 : Push the nylon buckle outward ①



Step 6



Step 7

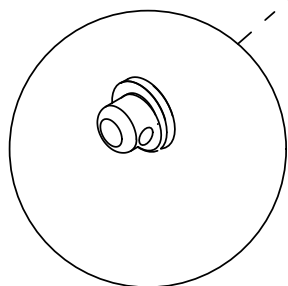
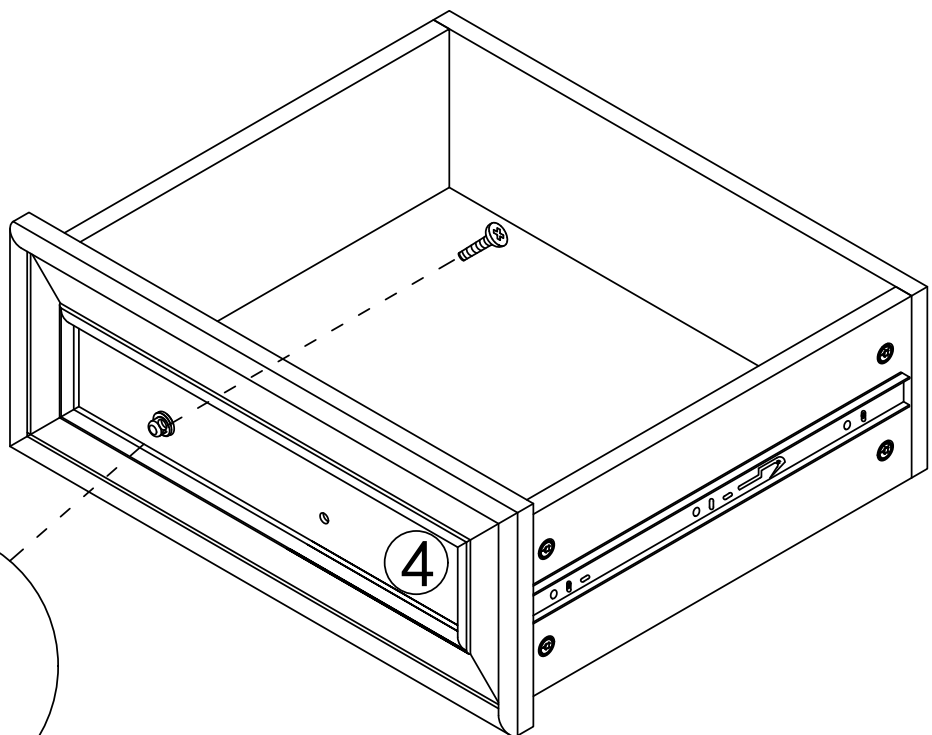
D



x1

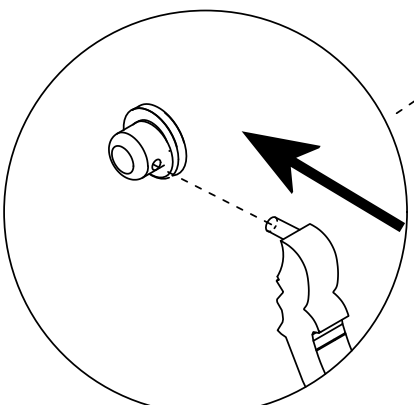
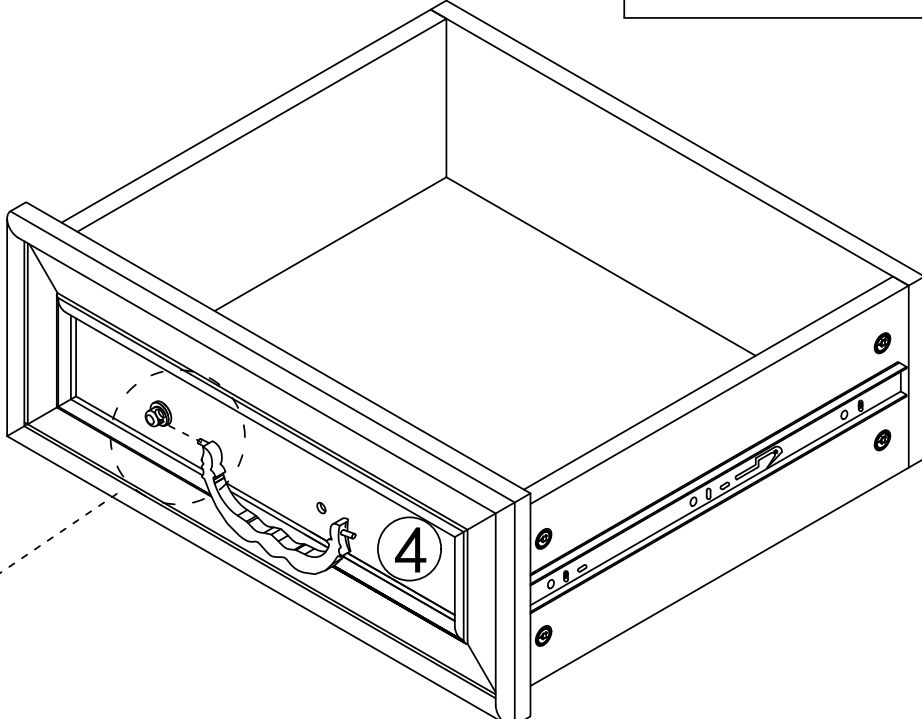
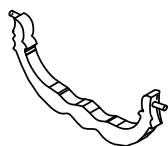


x1



Step 8

D

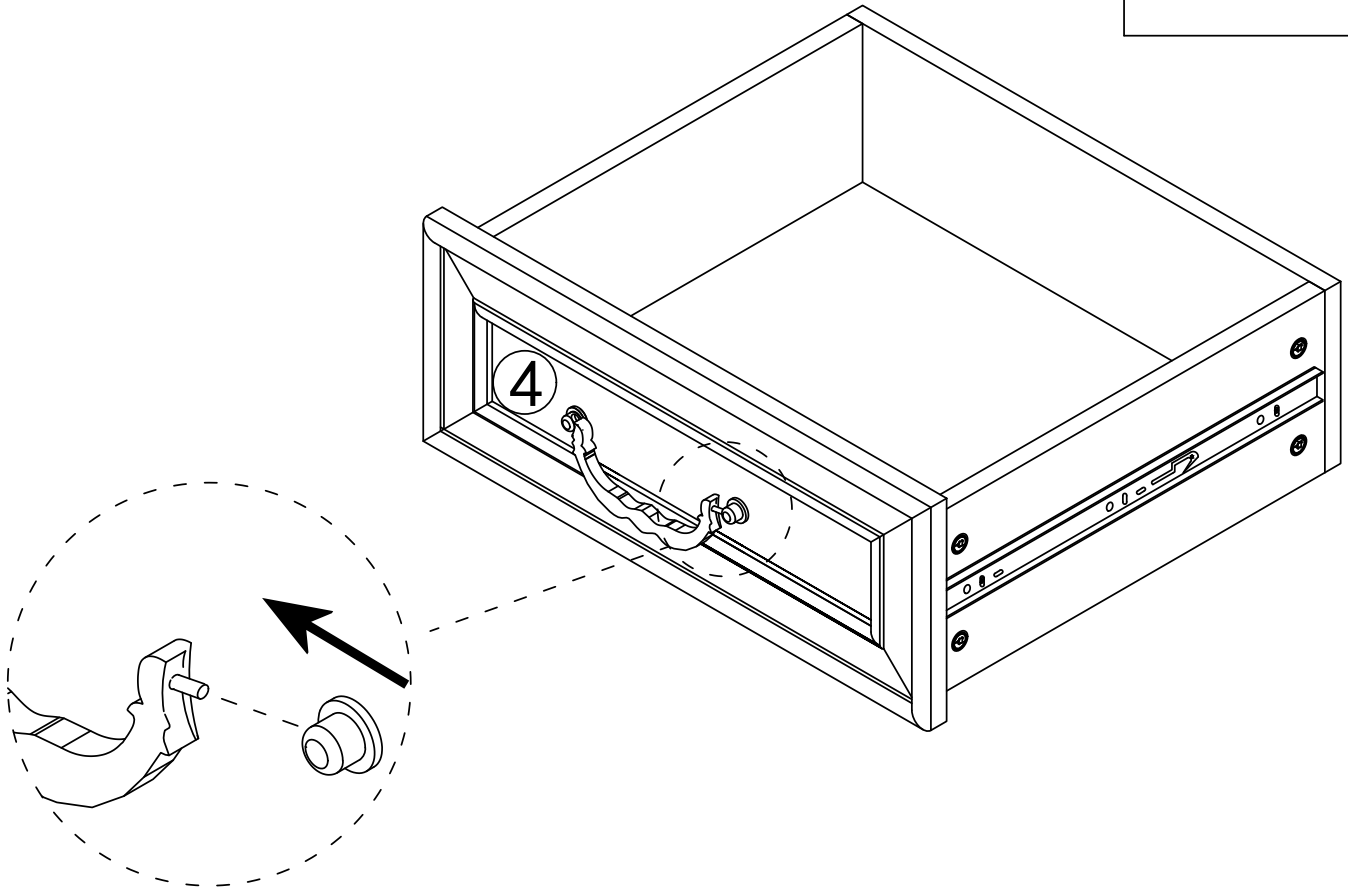


Step 9

D



x1

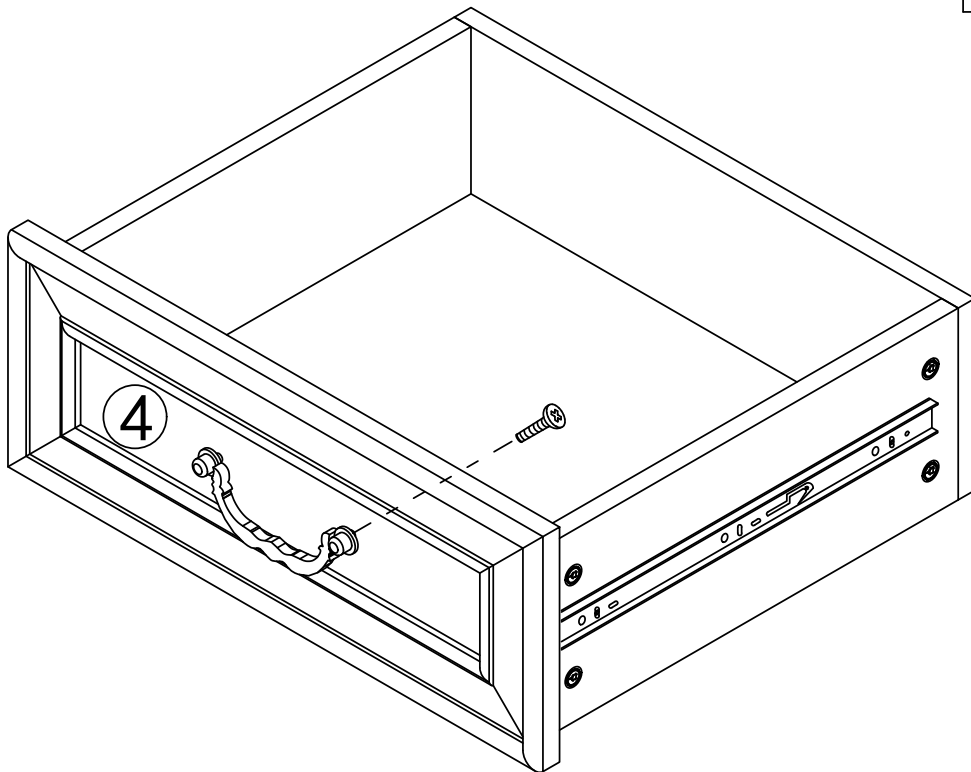


Step 10

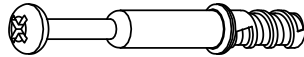





D

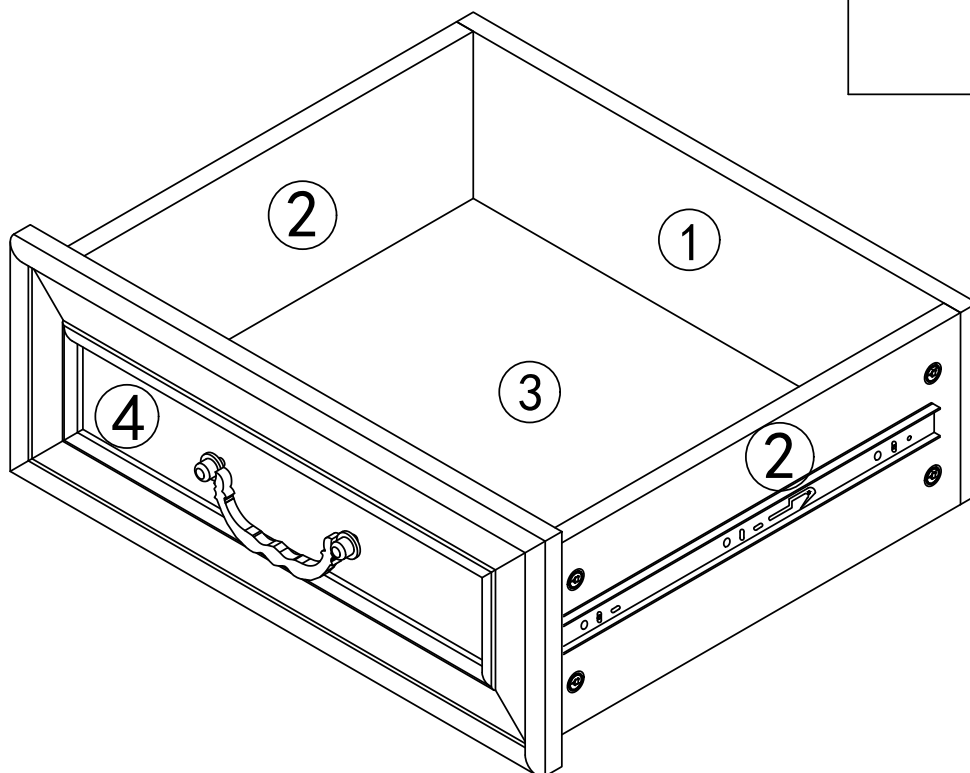


x1



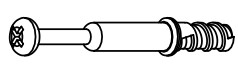


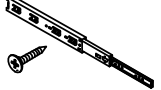

Step 11

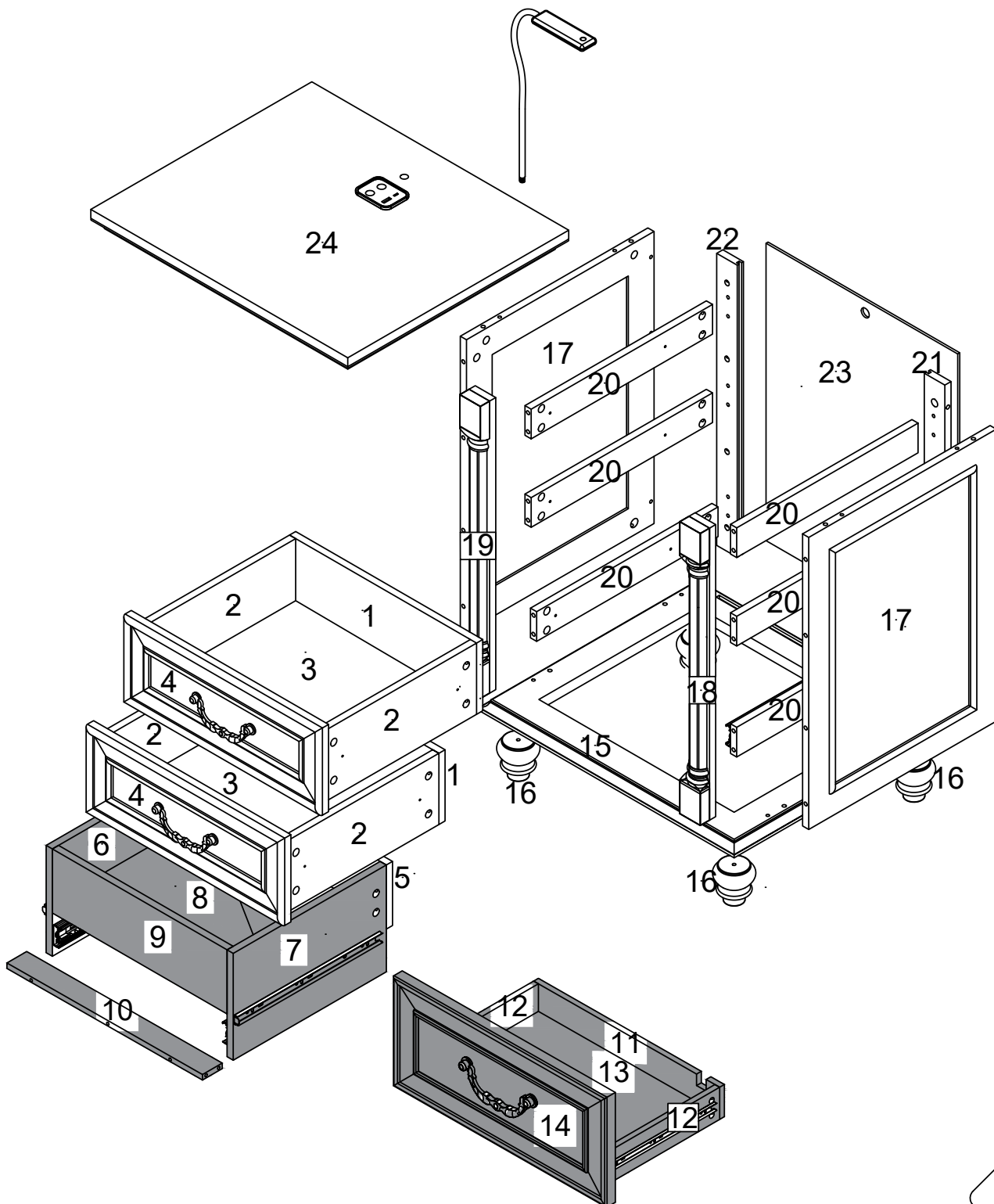
- A**  x8
- B**  x8
- D**  x1  x2
- E**  x2  x4



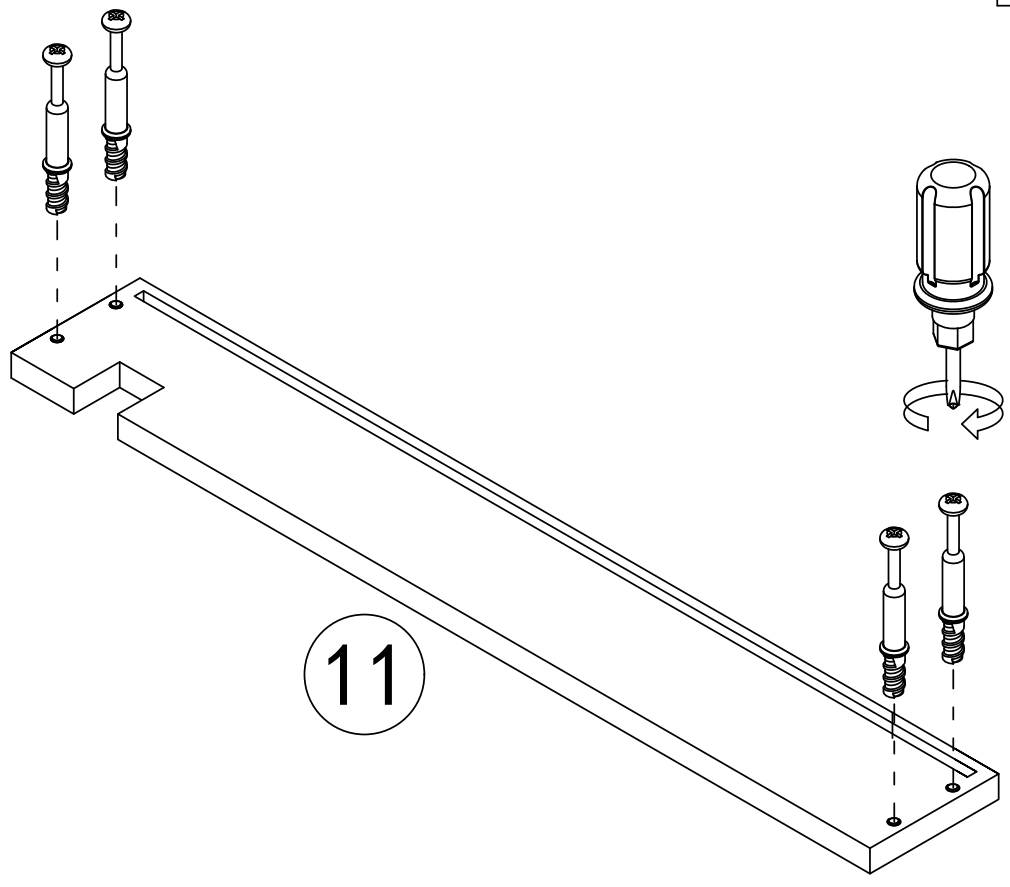
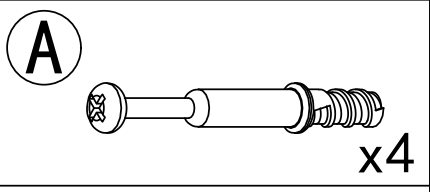
x2 pcs

The installation method for the other drawer is the same

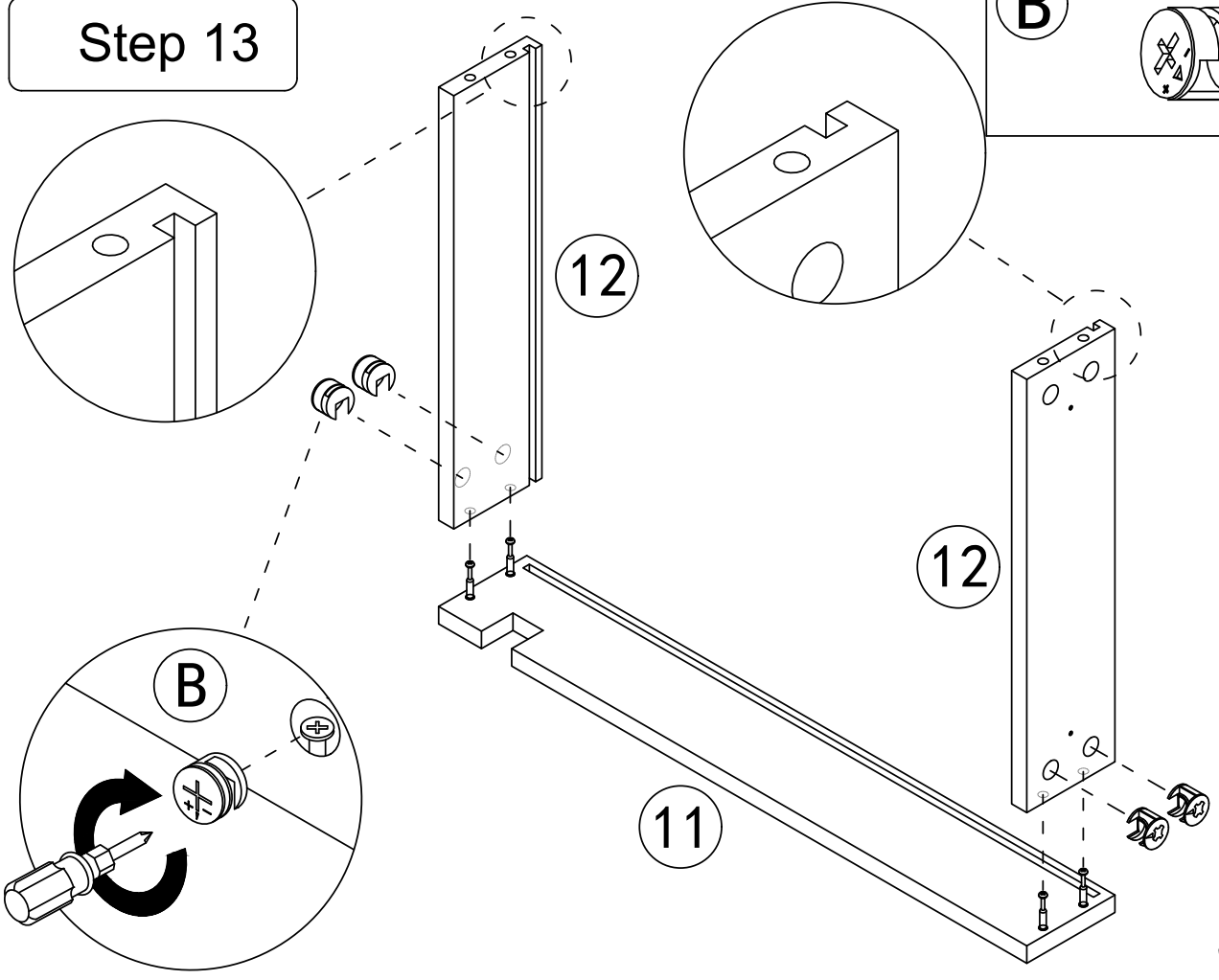
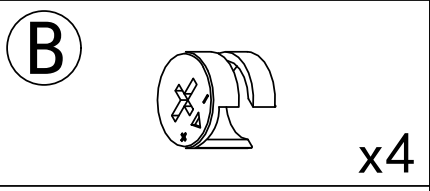
A		19pcs	B		19pcs	D		4pcs 2pcs
E		4pcs 8pcs	H		1pcs 1pcs 6pcs			



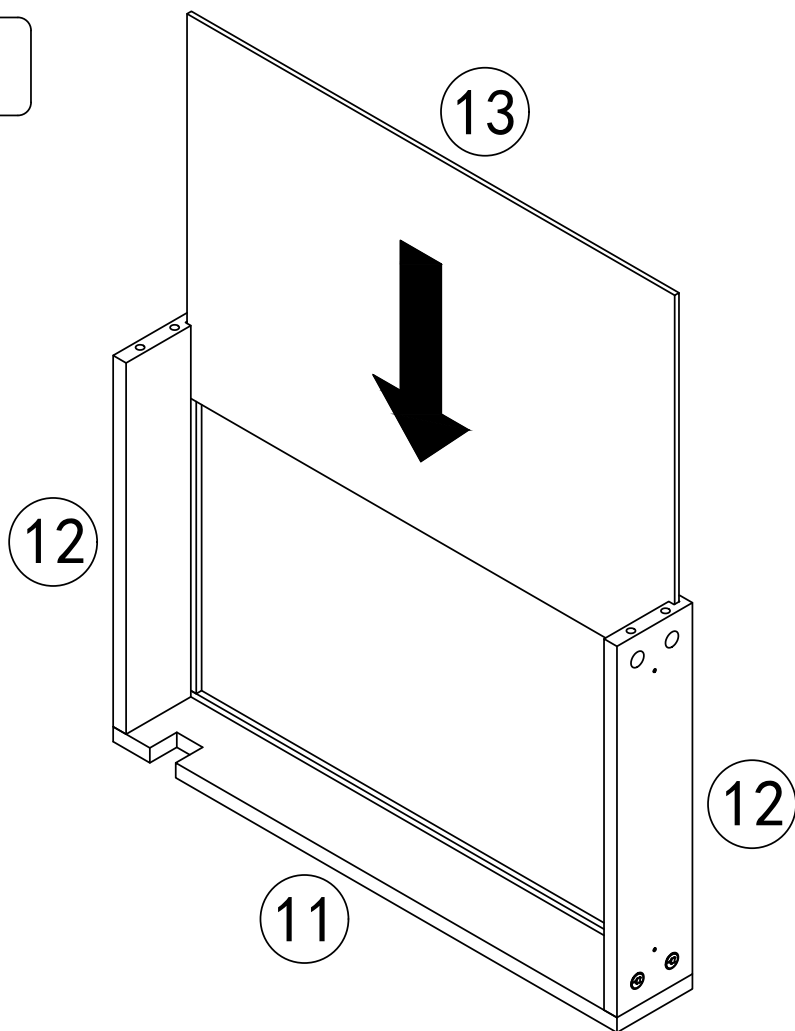
Step 12



Step 13



Step 14



Step 15

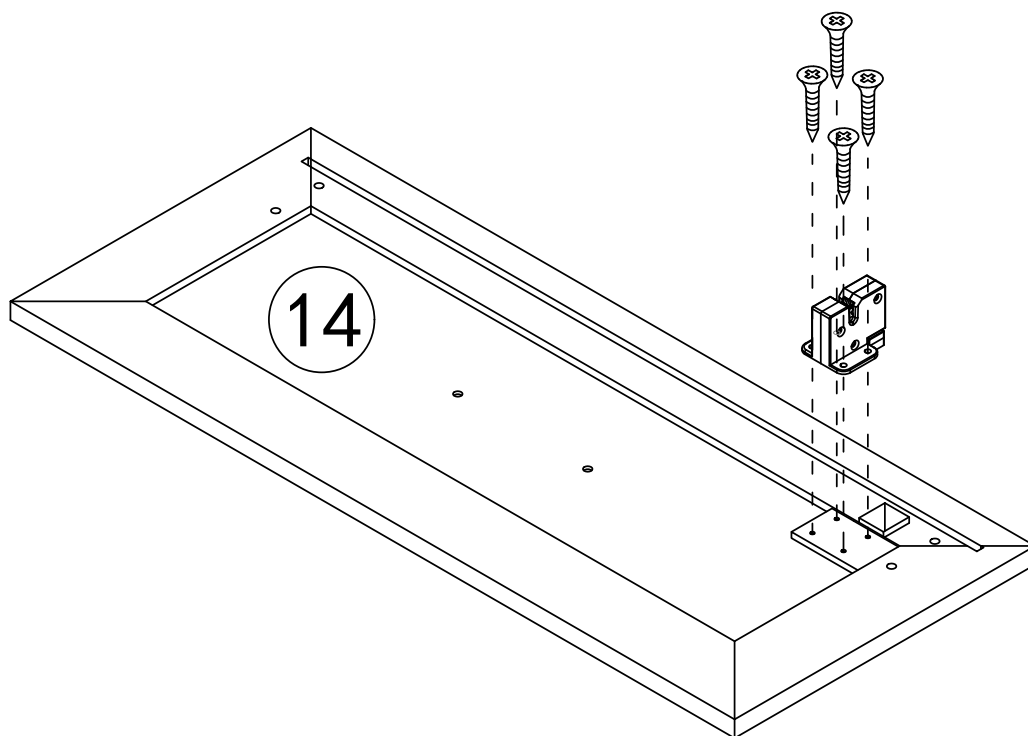
H



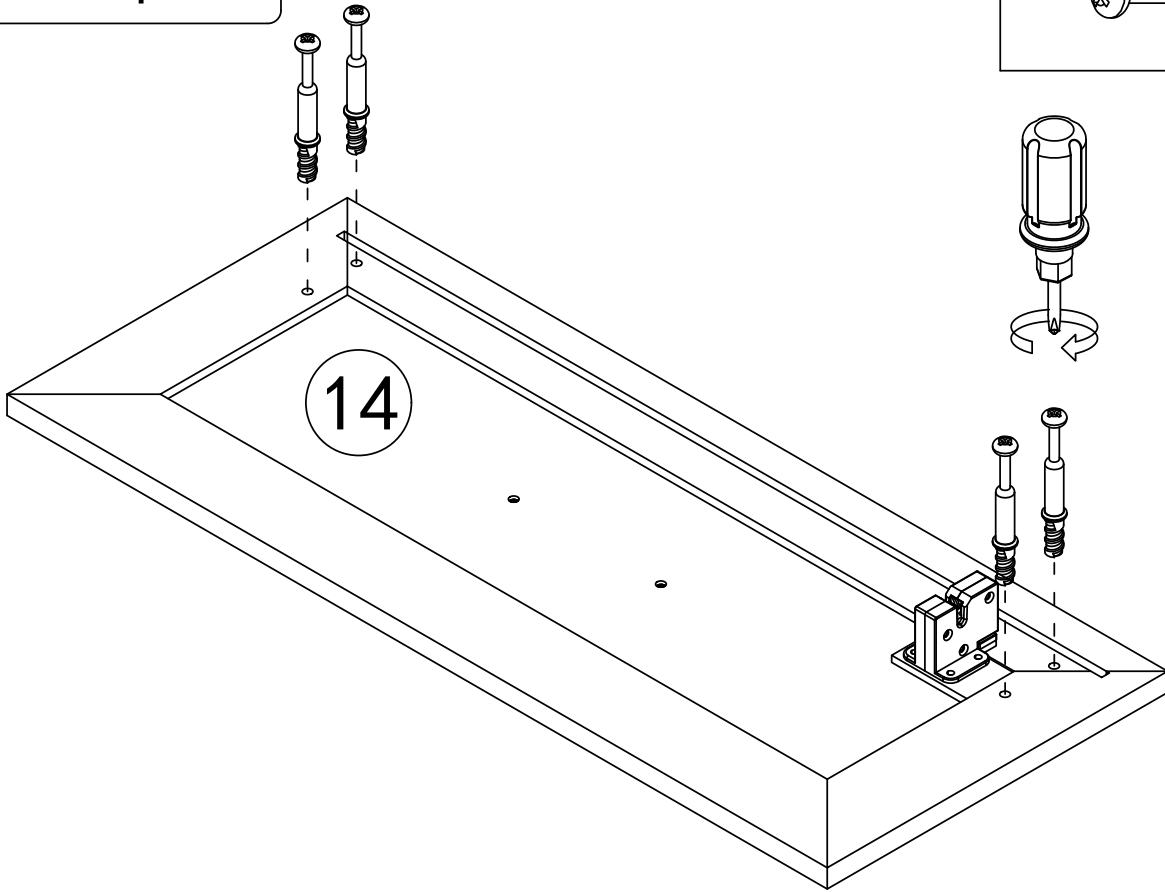
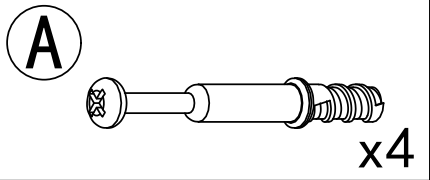
x1



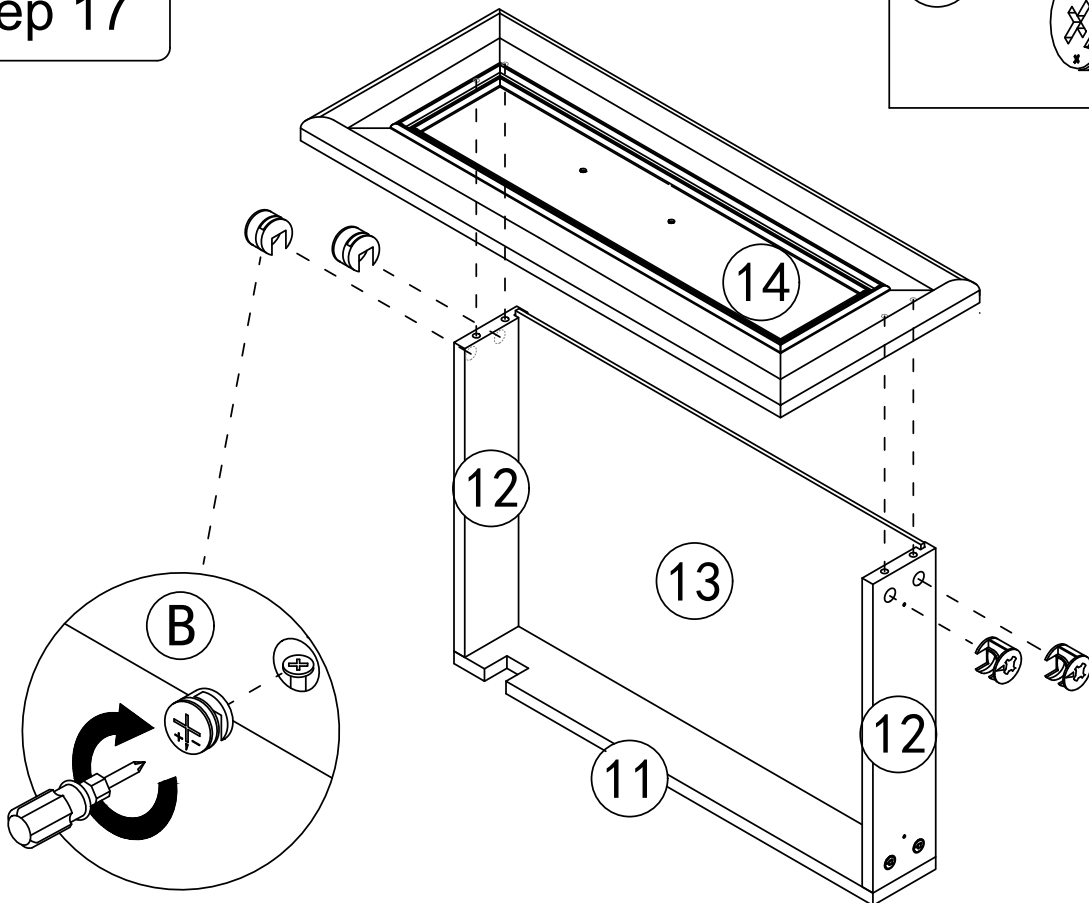
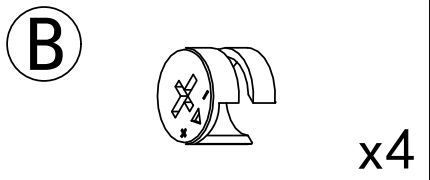
x4



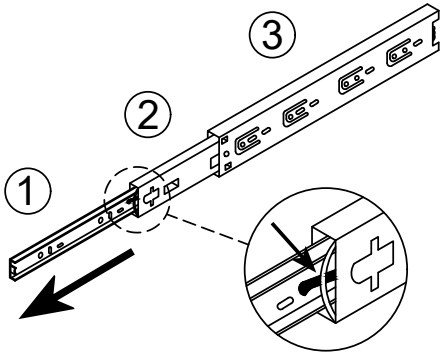
Step 16



Step 17

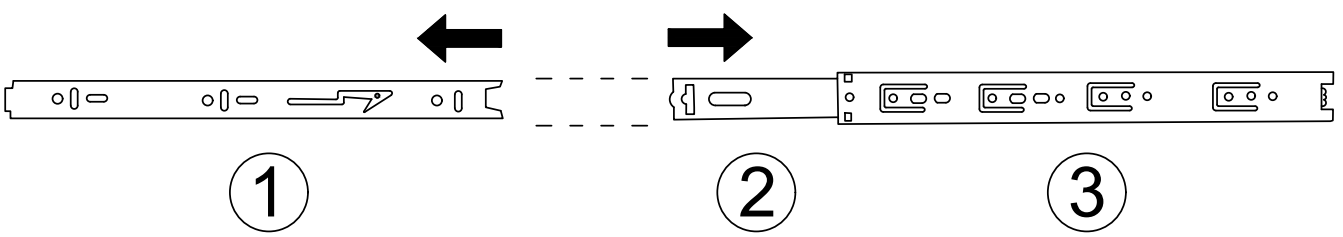
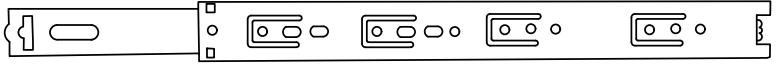
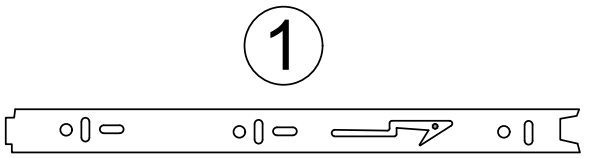


Drawer rail breakdown diagram

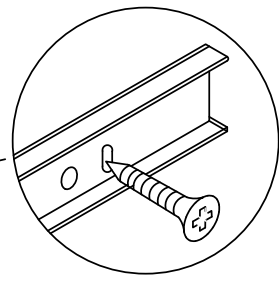
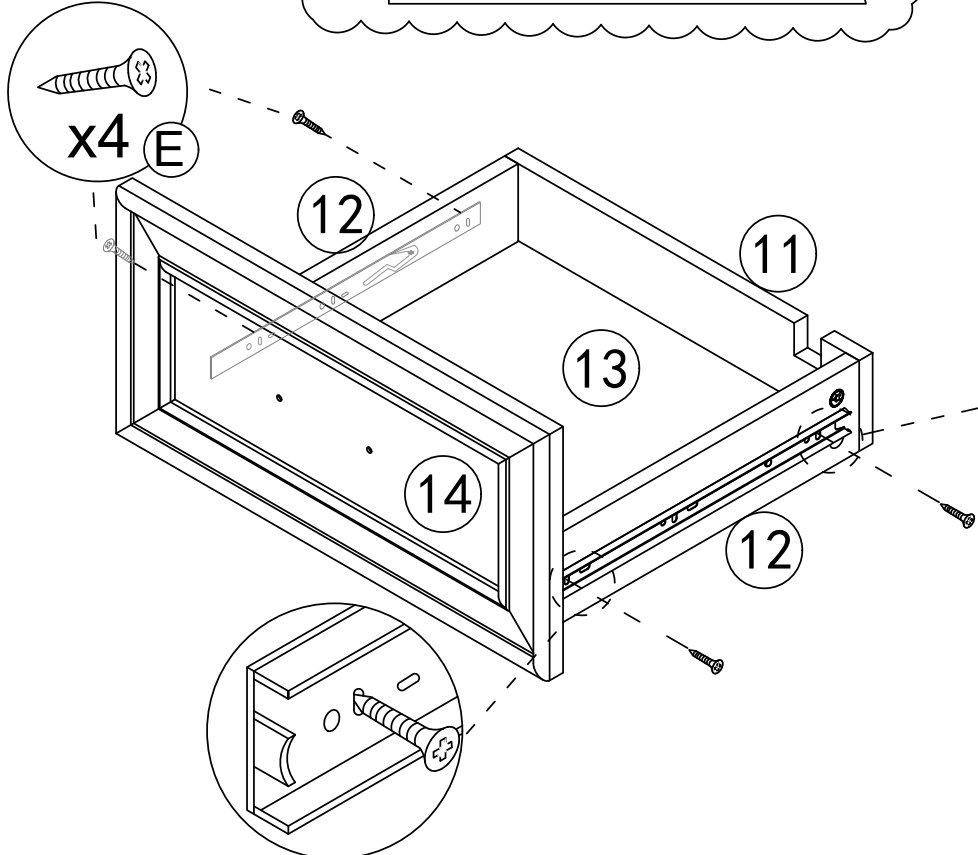
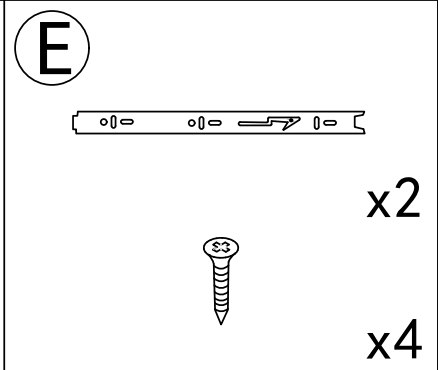
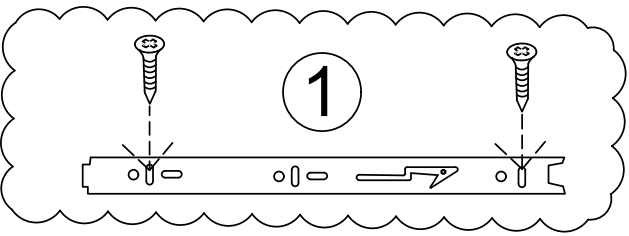


Step 1 : Pull the rails apart

Step 2 : Push the nylon buckle outward ①



Step 18



Step 19

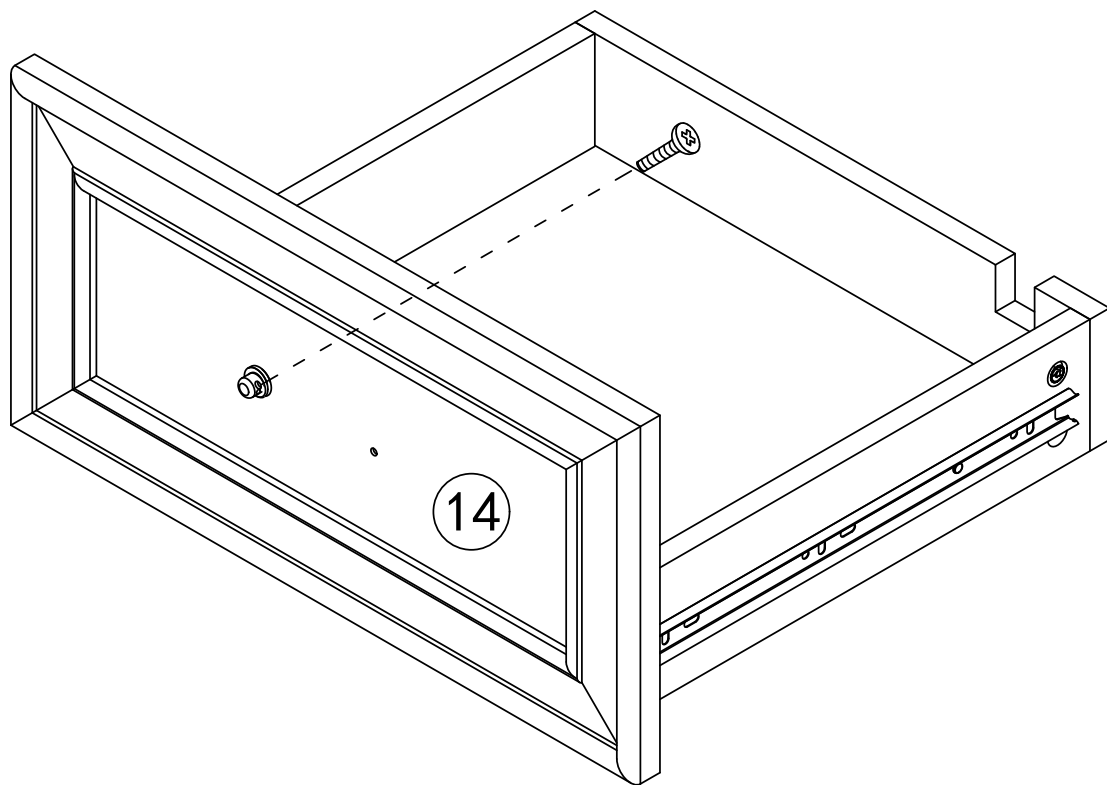
D



x1

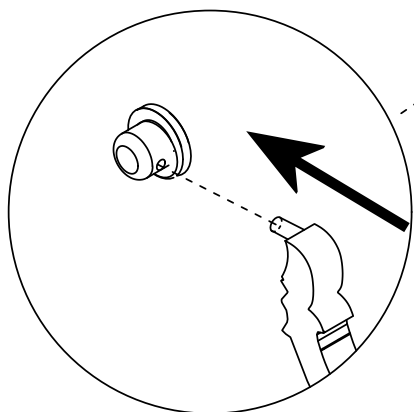
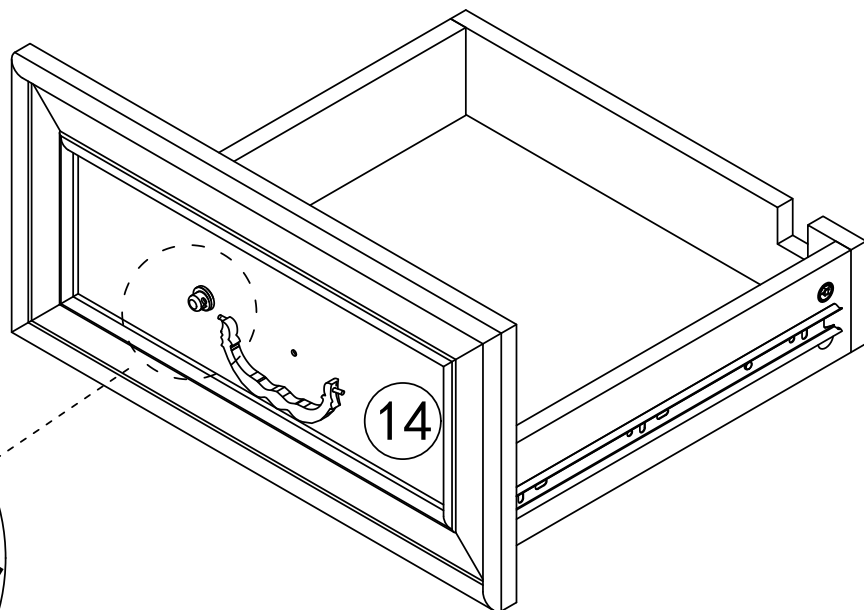
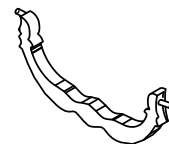


x1



Step 20

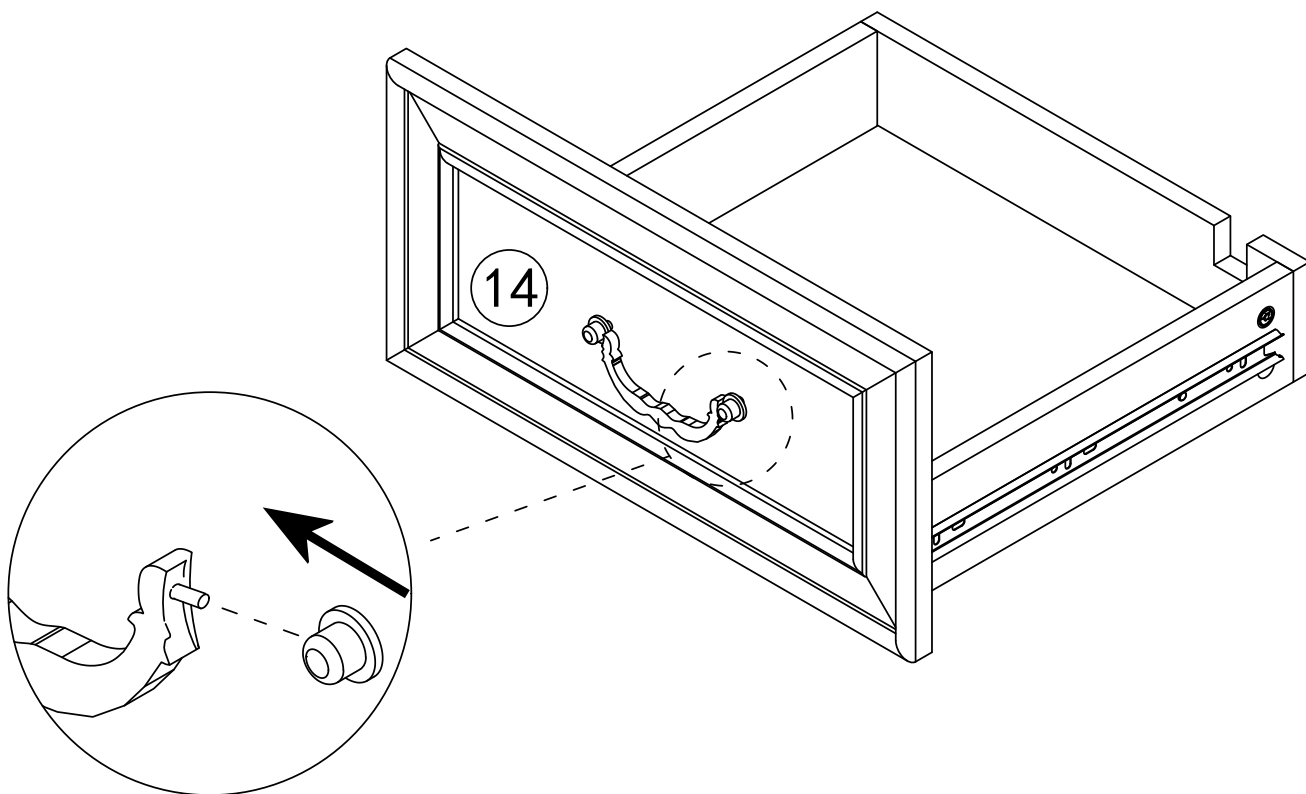
D



Step 21

D

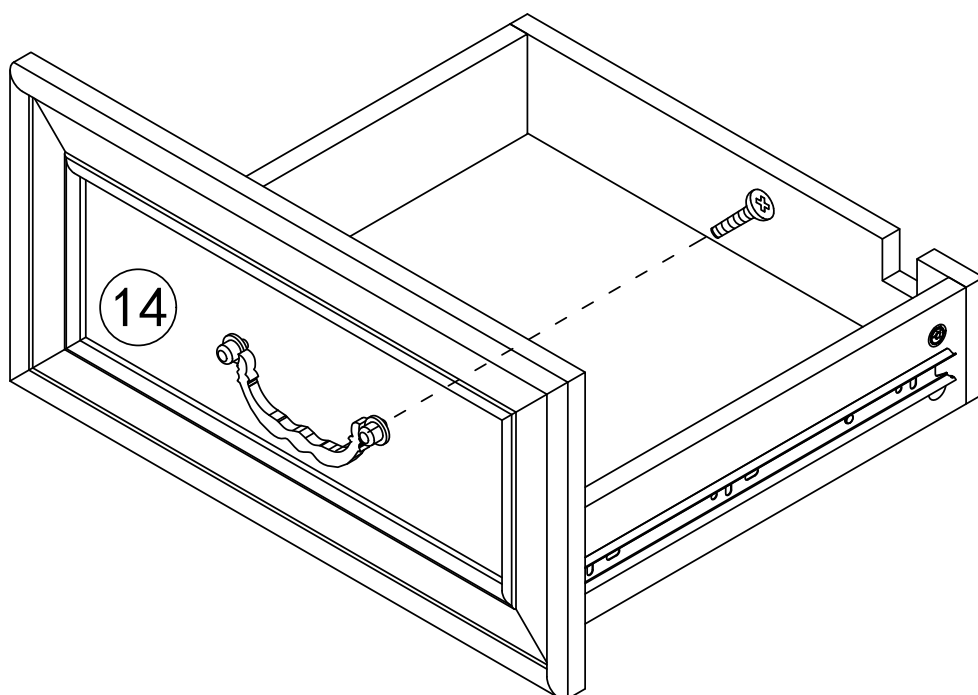
x1



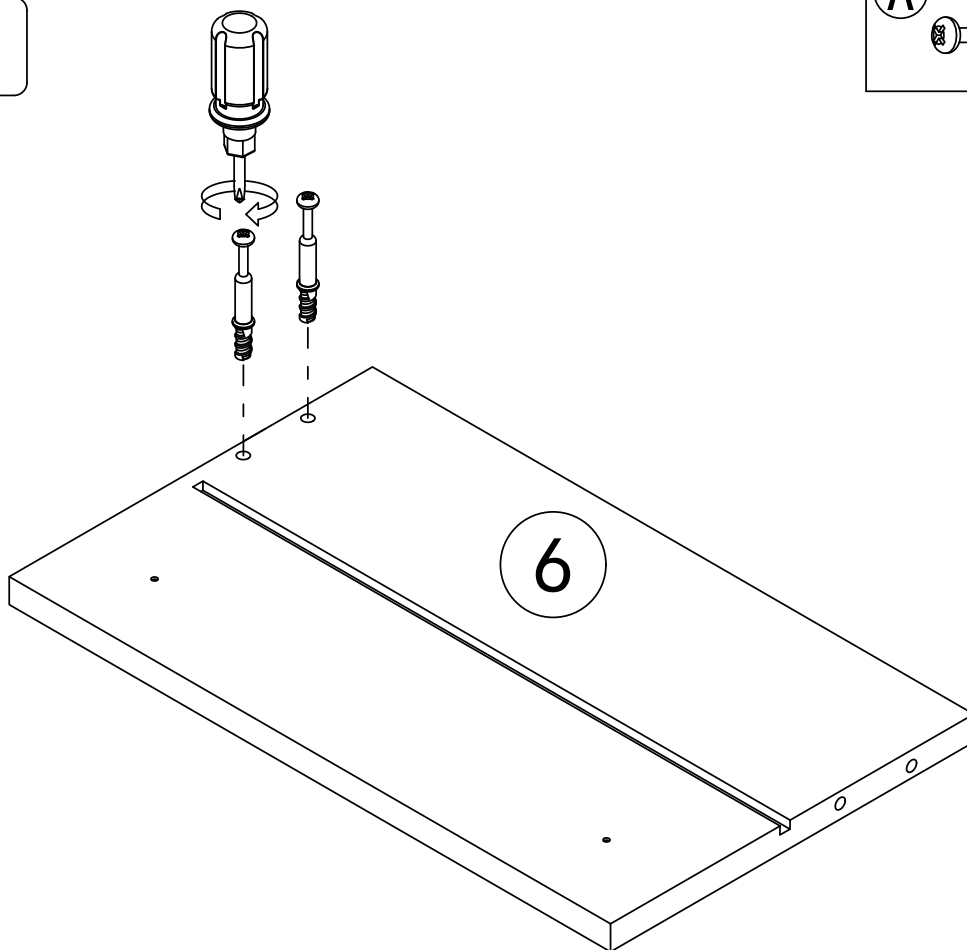
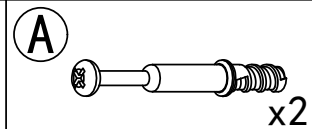
Step 22

D

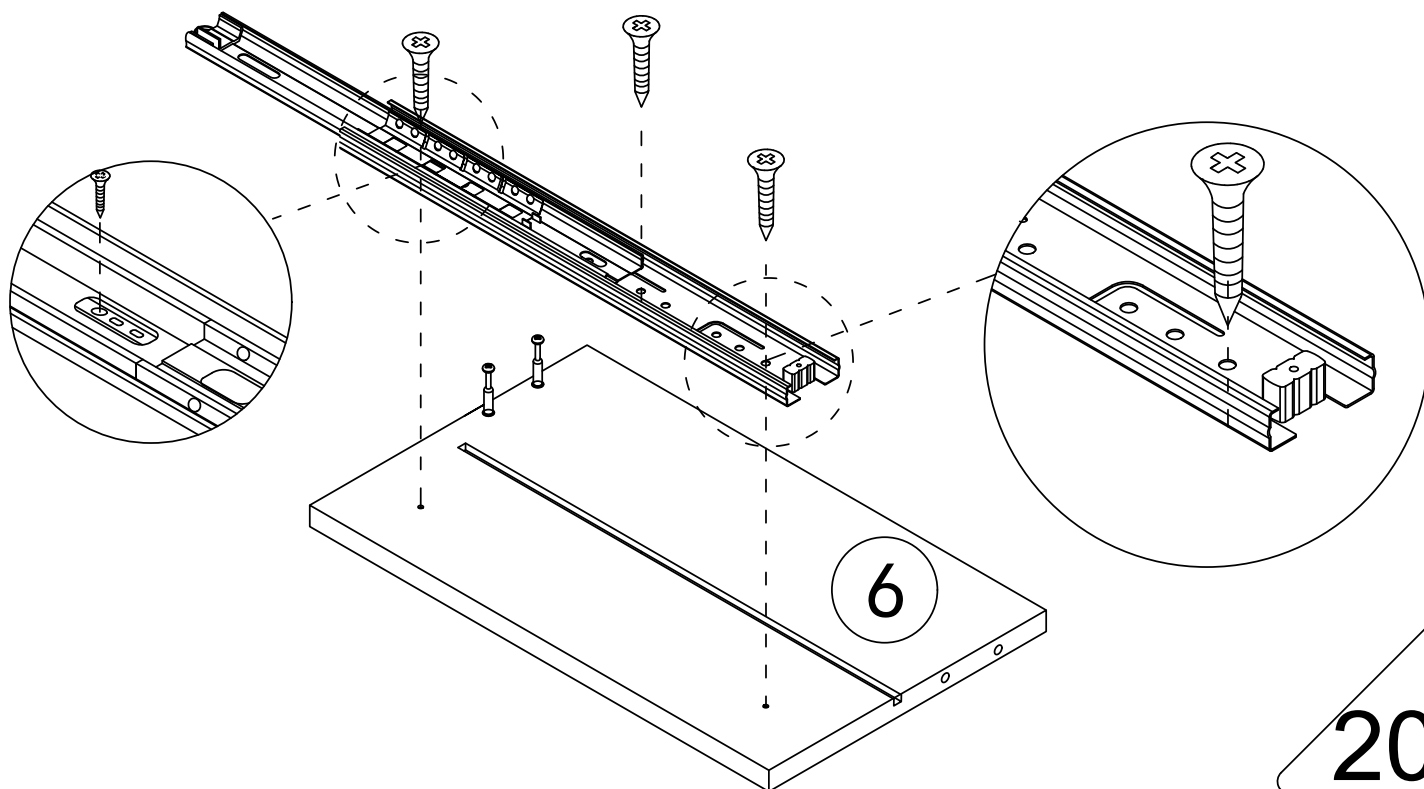
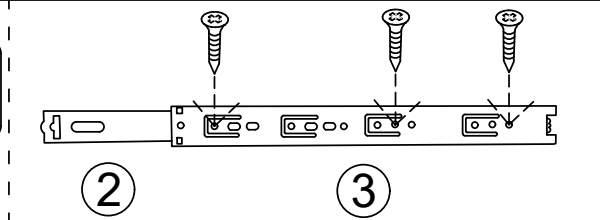
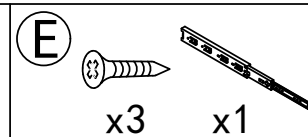
x1



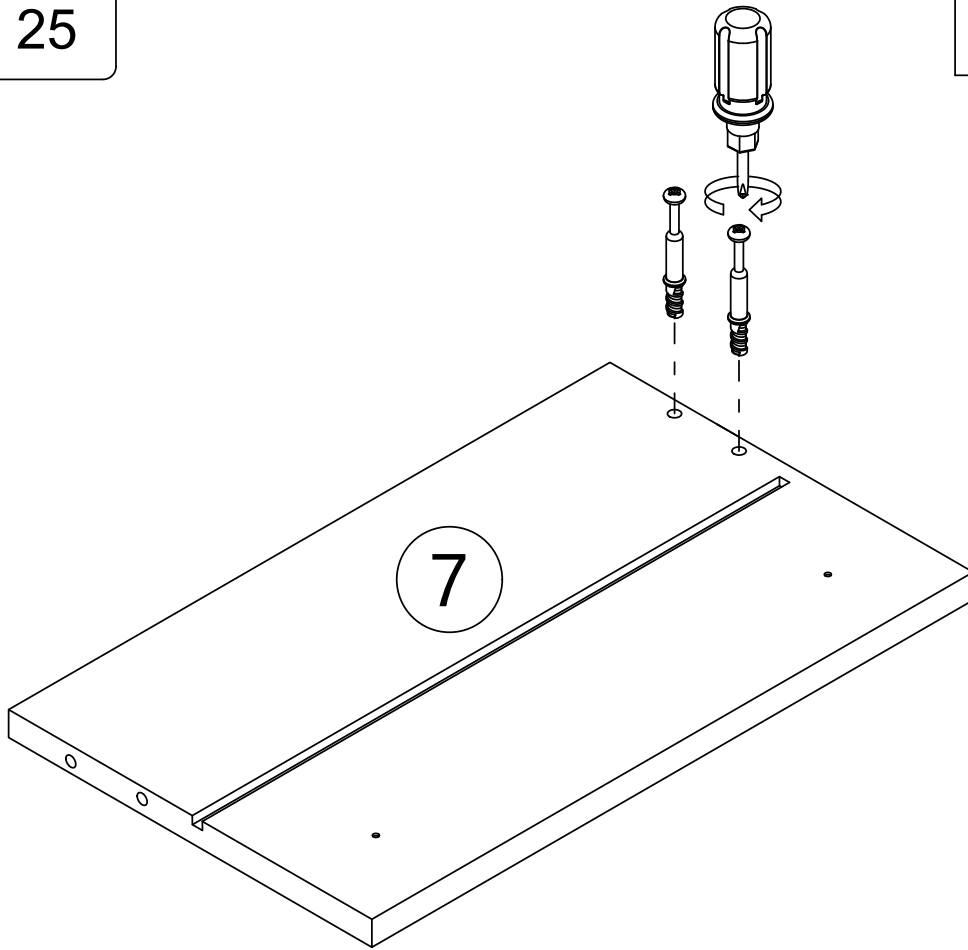
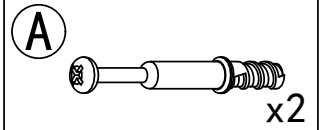
Step 23



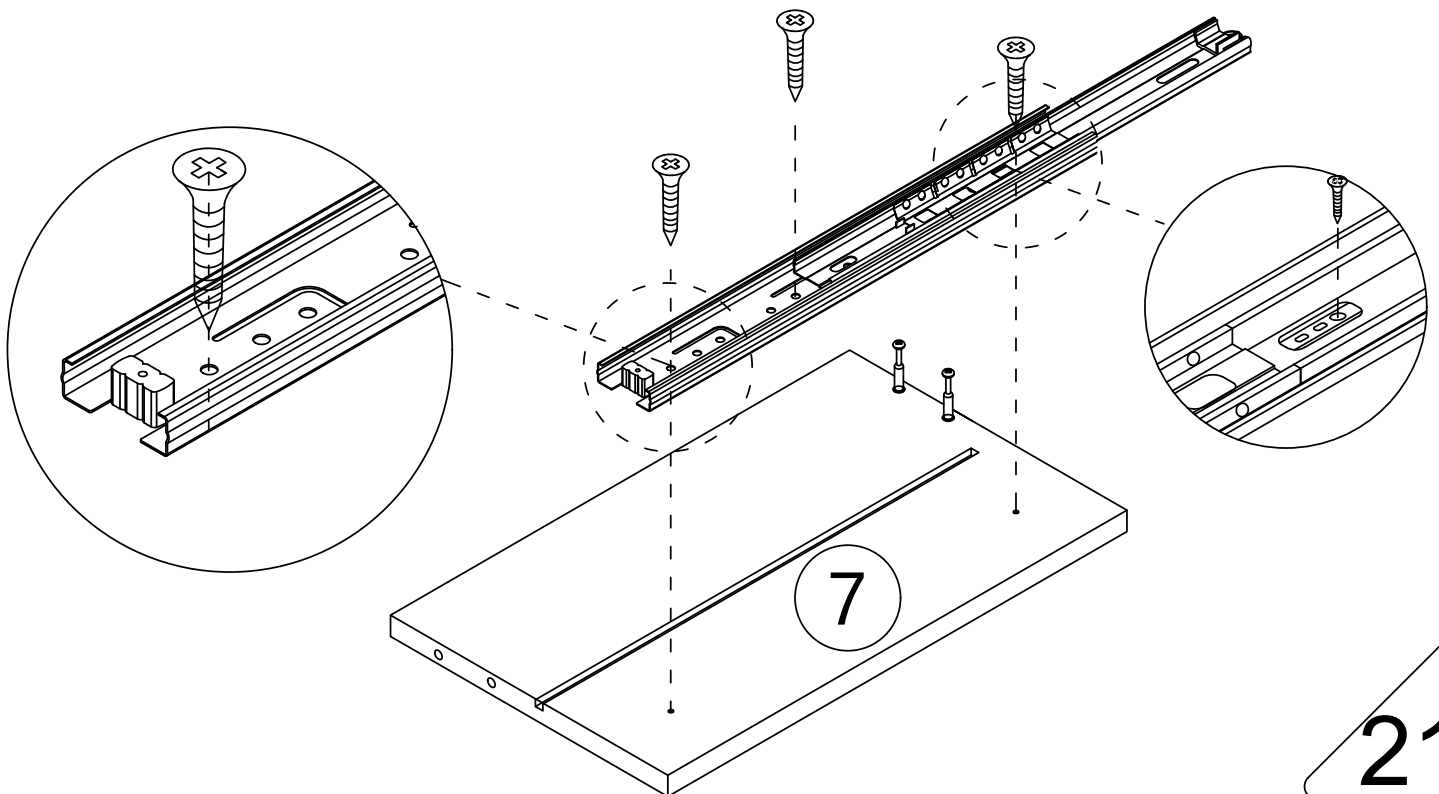
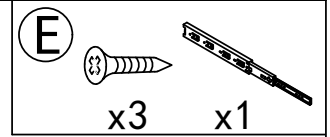
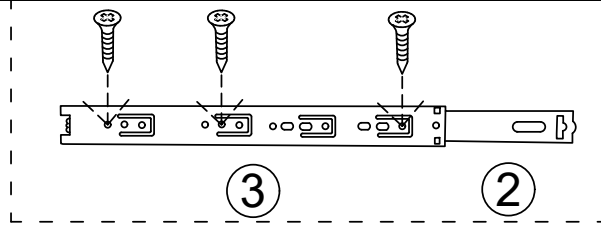
Step 24



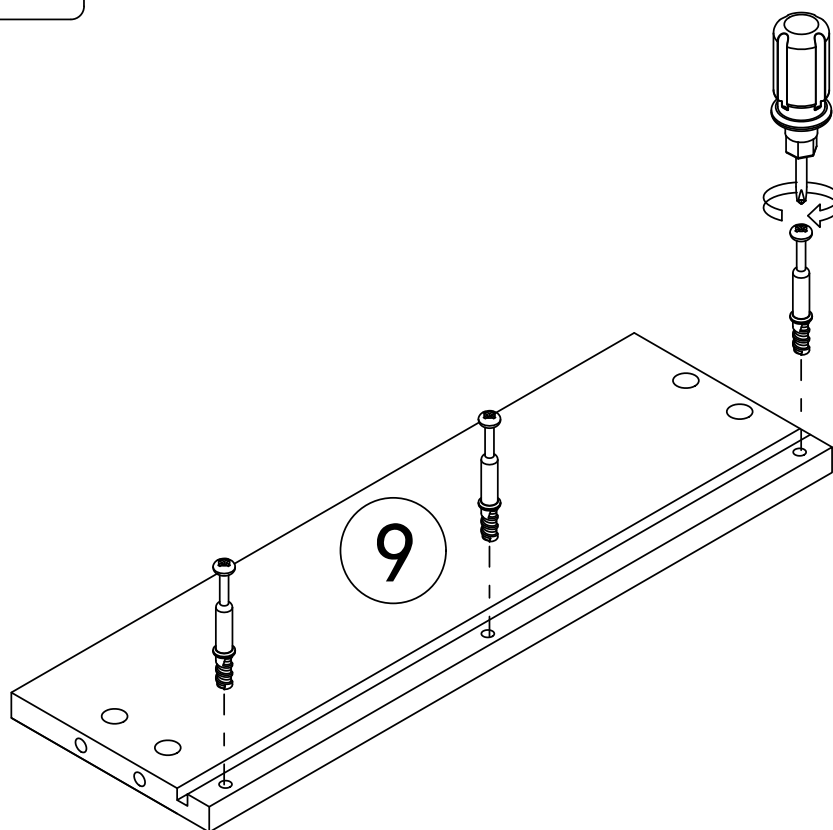
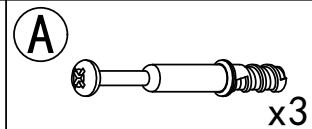
Step 25



Step 26

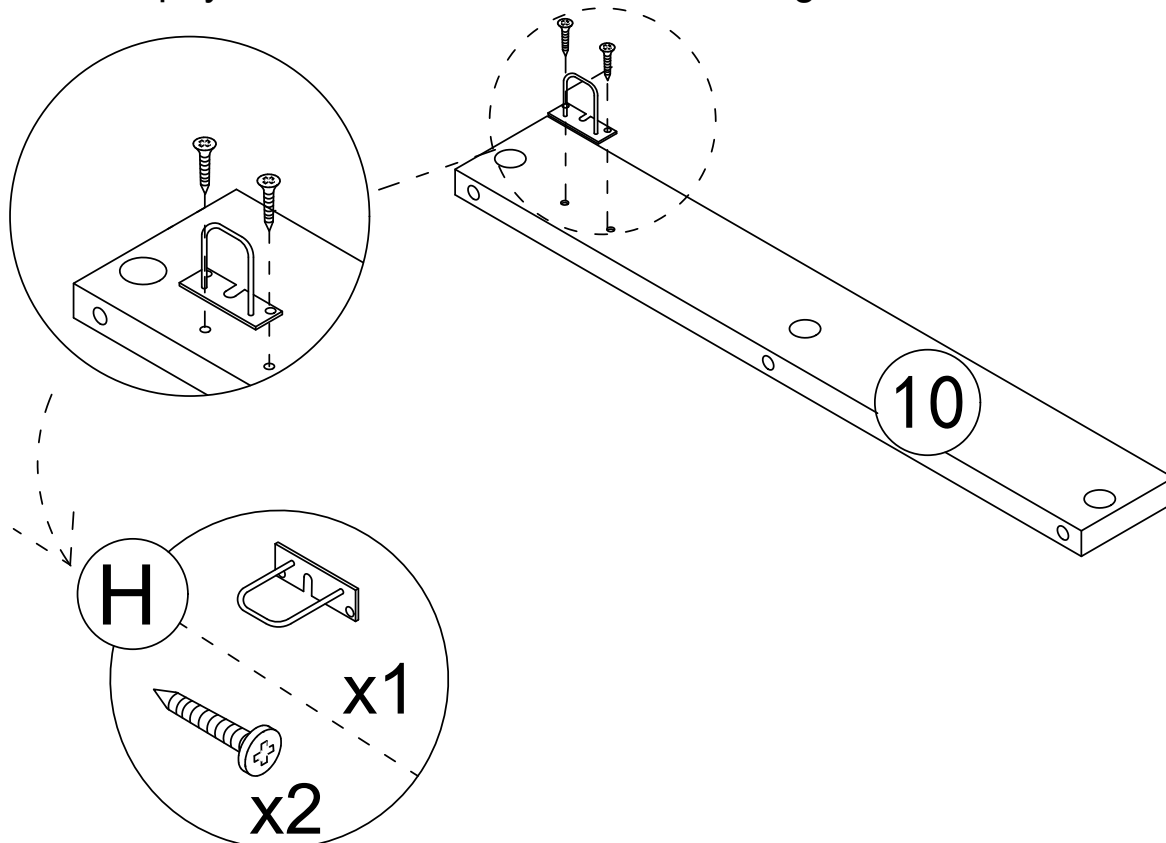
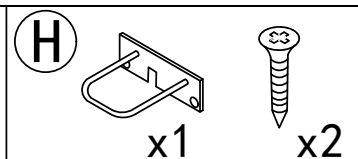


Step 27



Step 28

Please pay attention to the direction of the groove

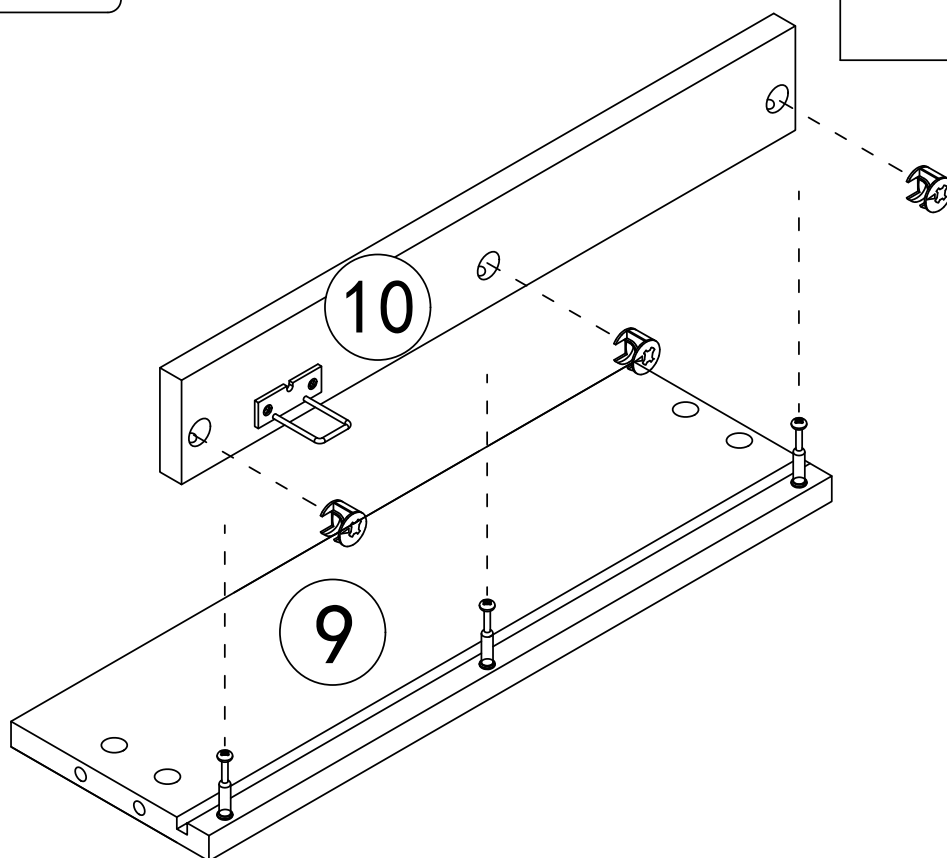


Step 29

B



x3

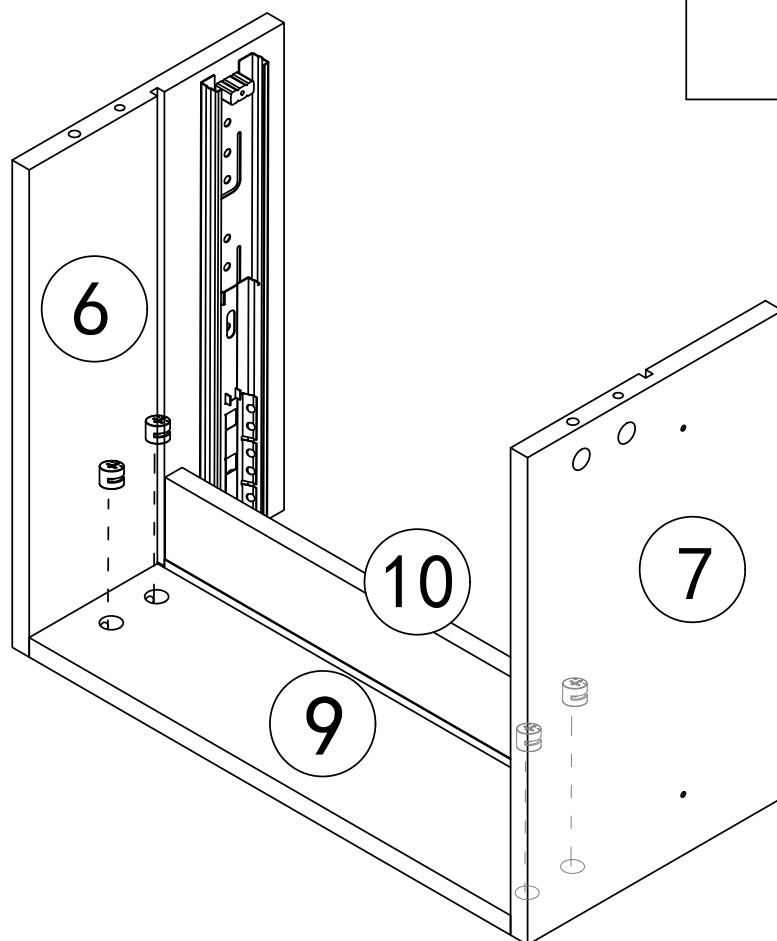


Step 30

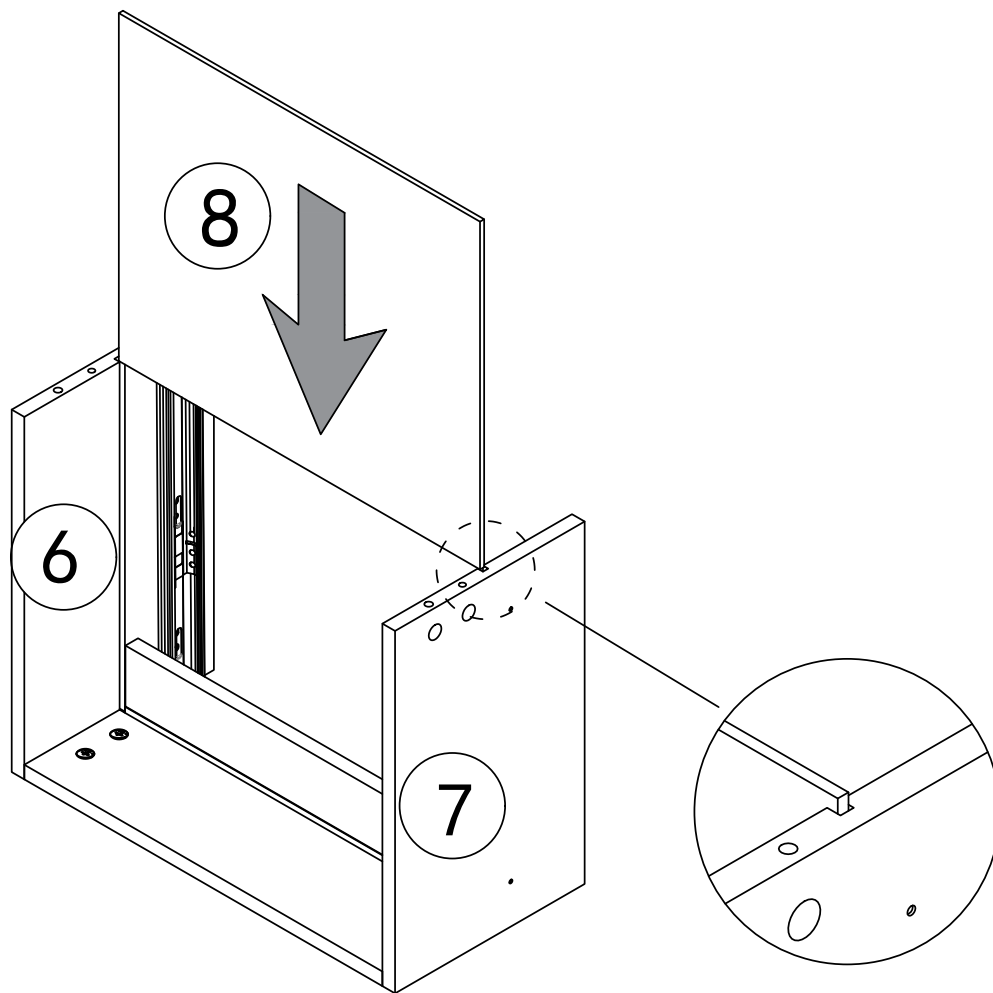
B



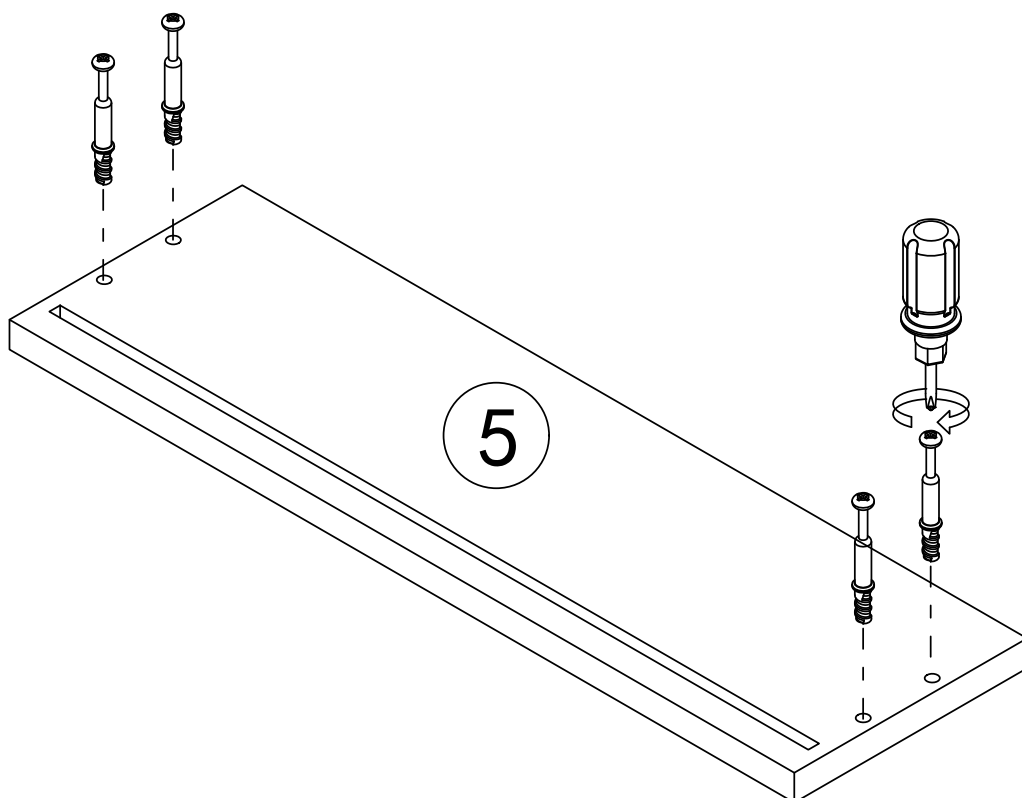
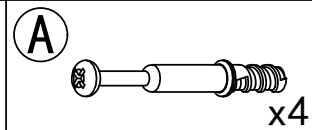
x4



Step 31

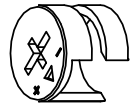


Step 32

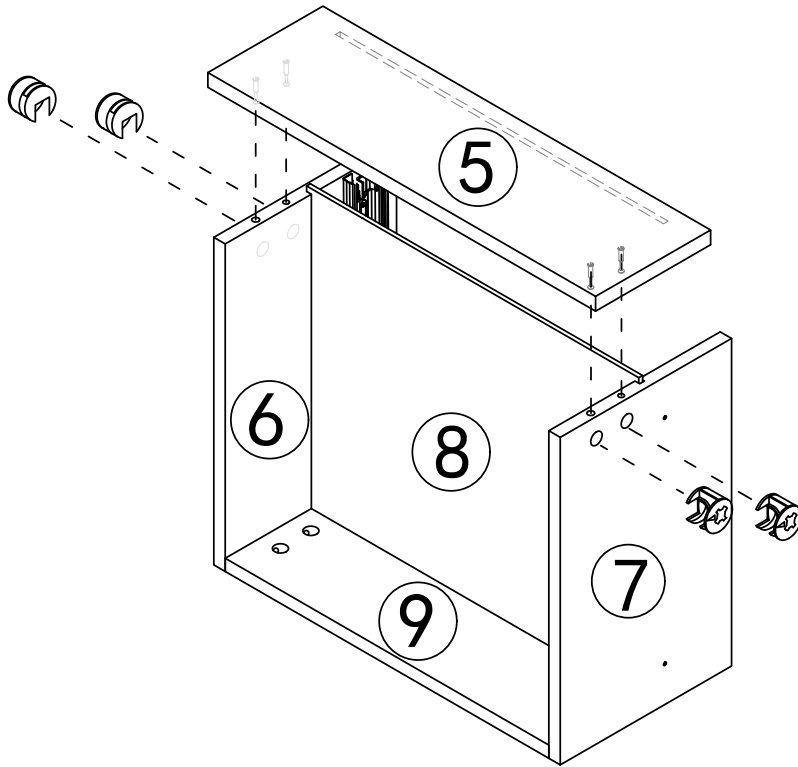


Step 33

B

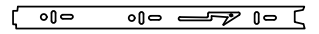


x4



Step 34

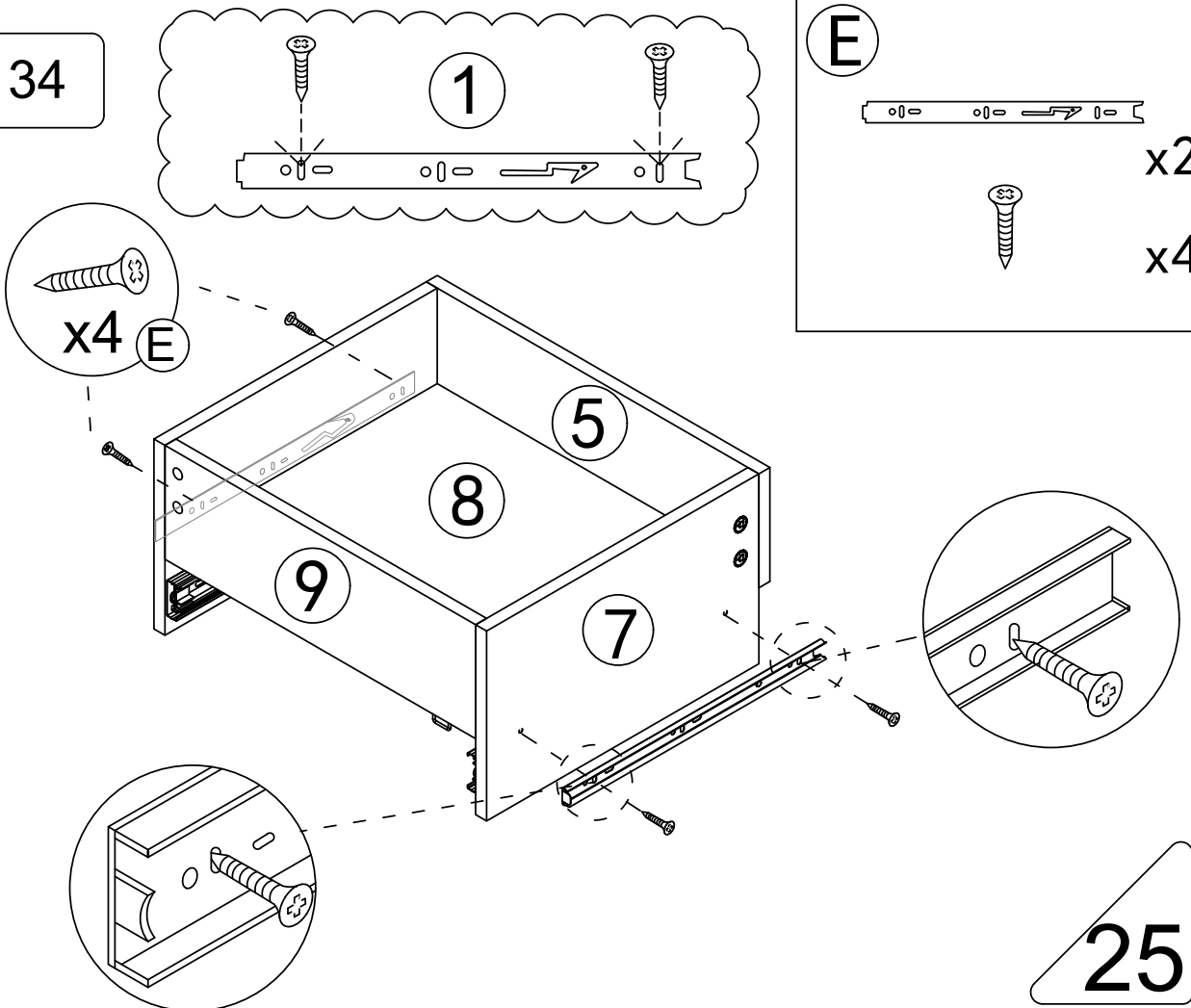
E



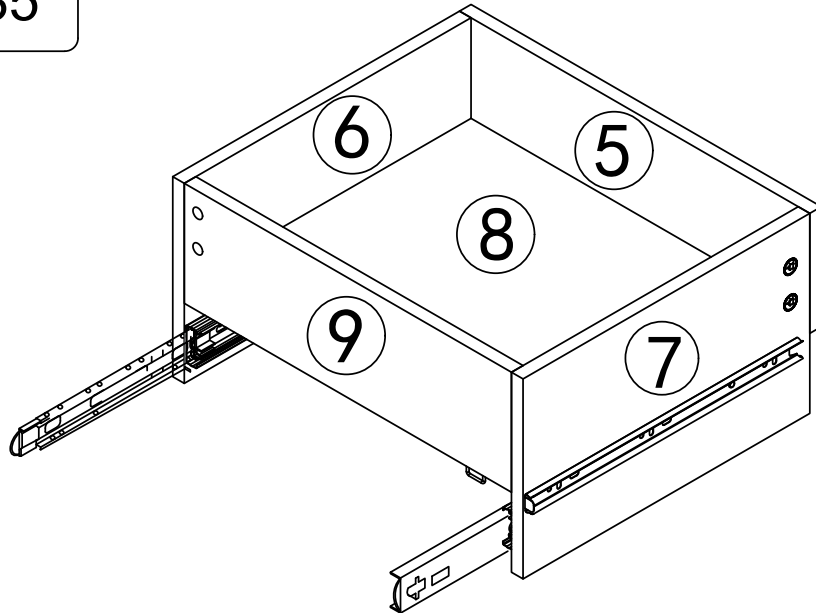
x2



x4

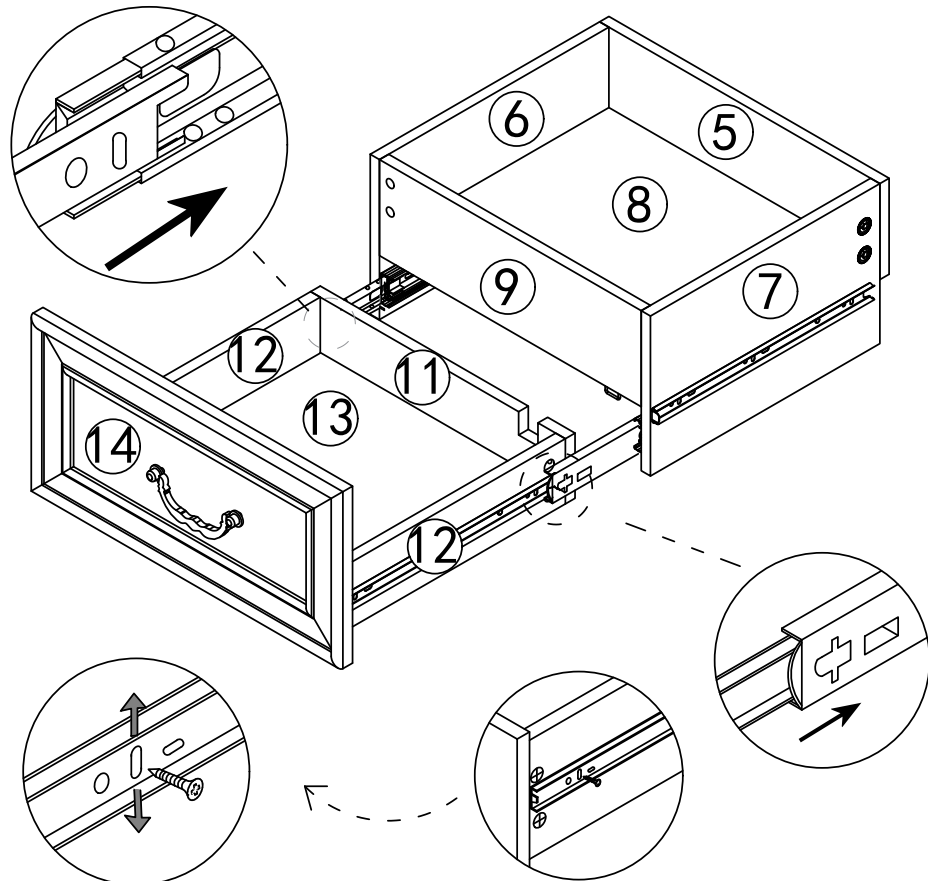


Step 35

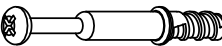


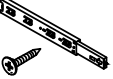

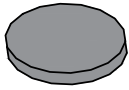
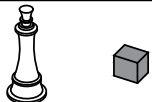



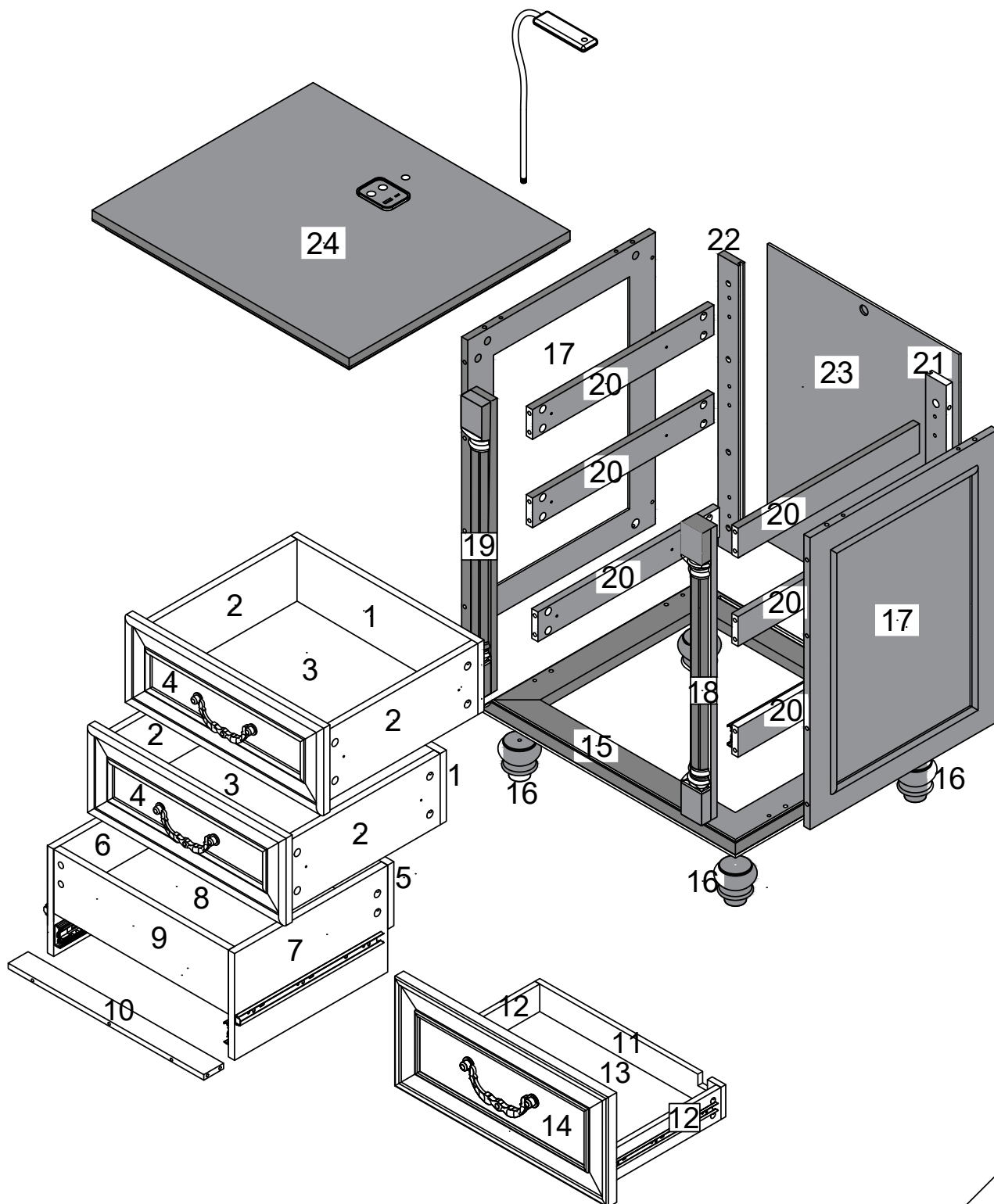
As shown, When installing the drawer, pull the guide rail out first, Slide beads are also pulled out.

Step 36

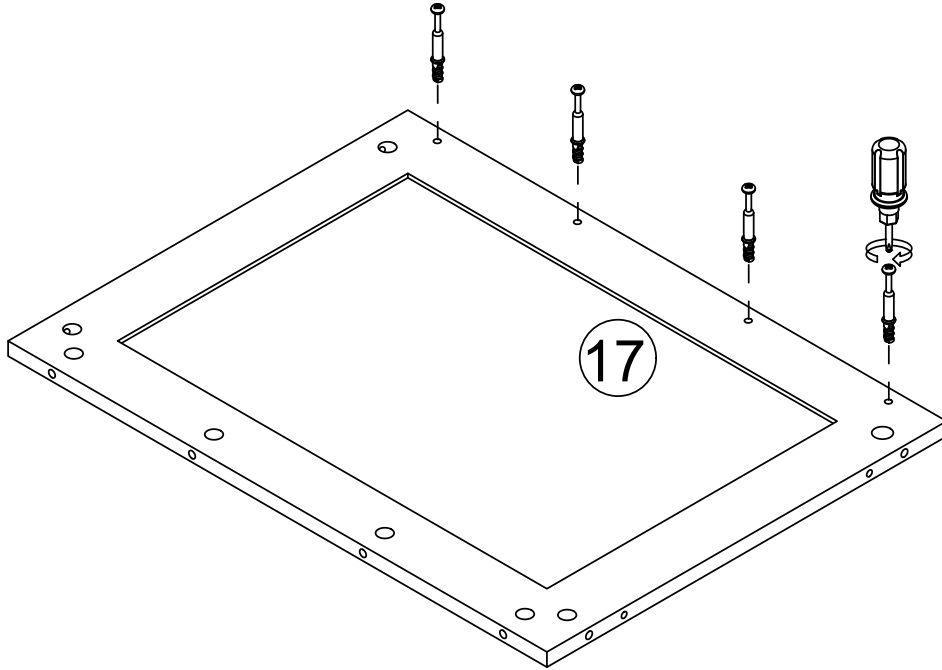
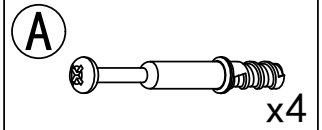


If a large gap is found after installing the drawer the slide rail can be moved up and down to adjust the gap

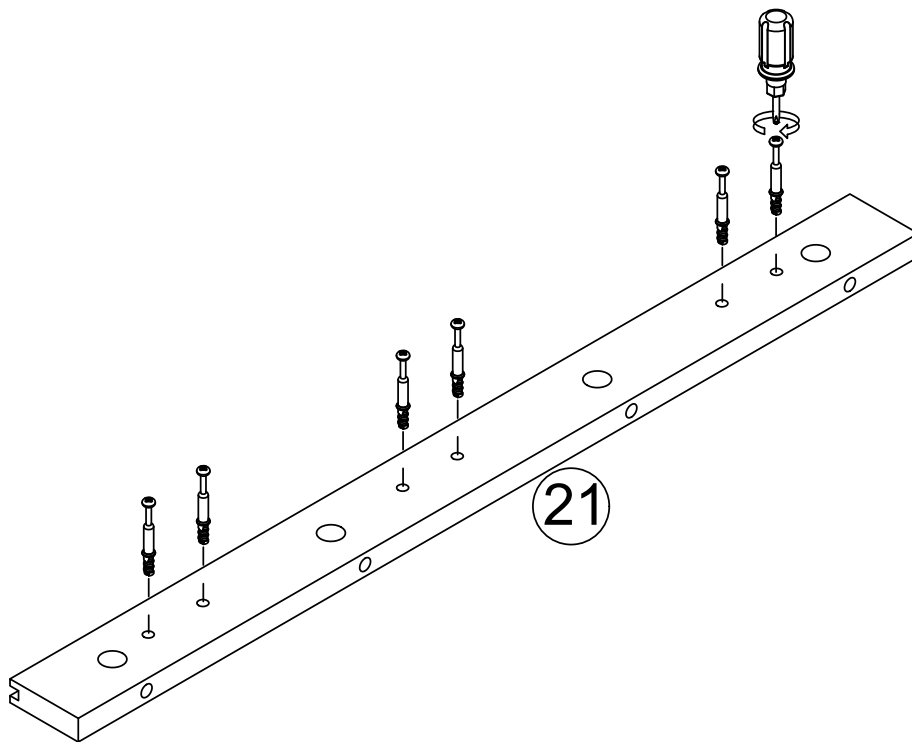
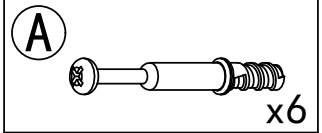
A		48pcs	B		48pcs	C		8pcs
E		6pcs 18pcs	F		4pcs	G		4pcs
H		1pcs 1pcs	I		1pcs			



Step 37

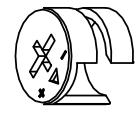


Step 38

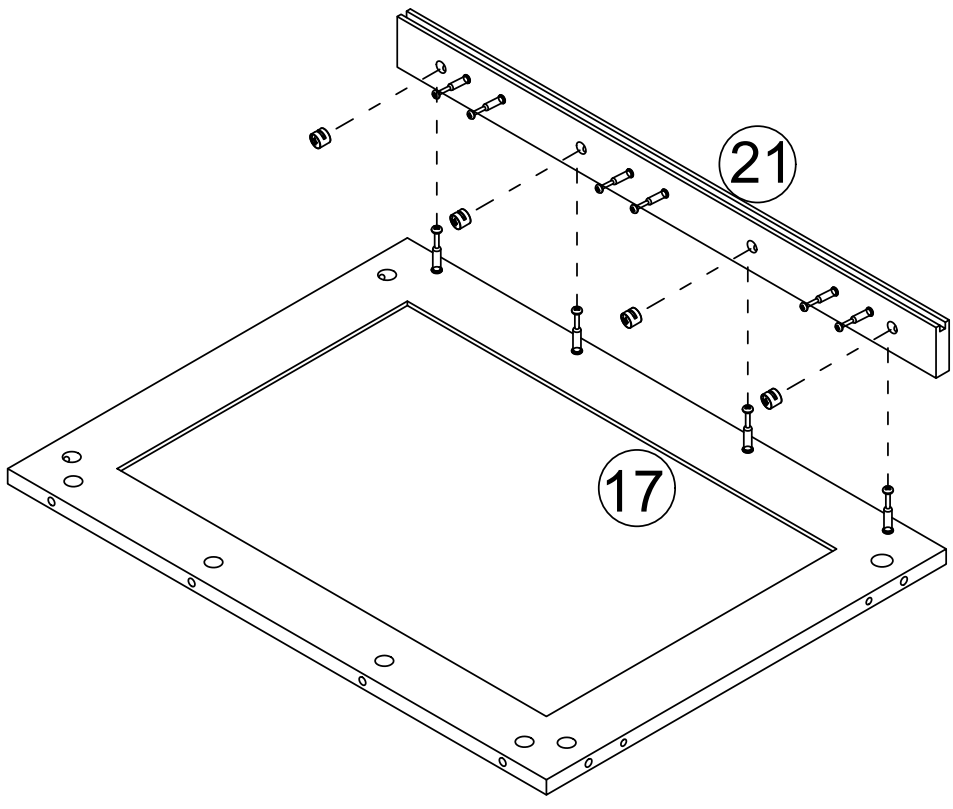


Step 39

B



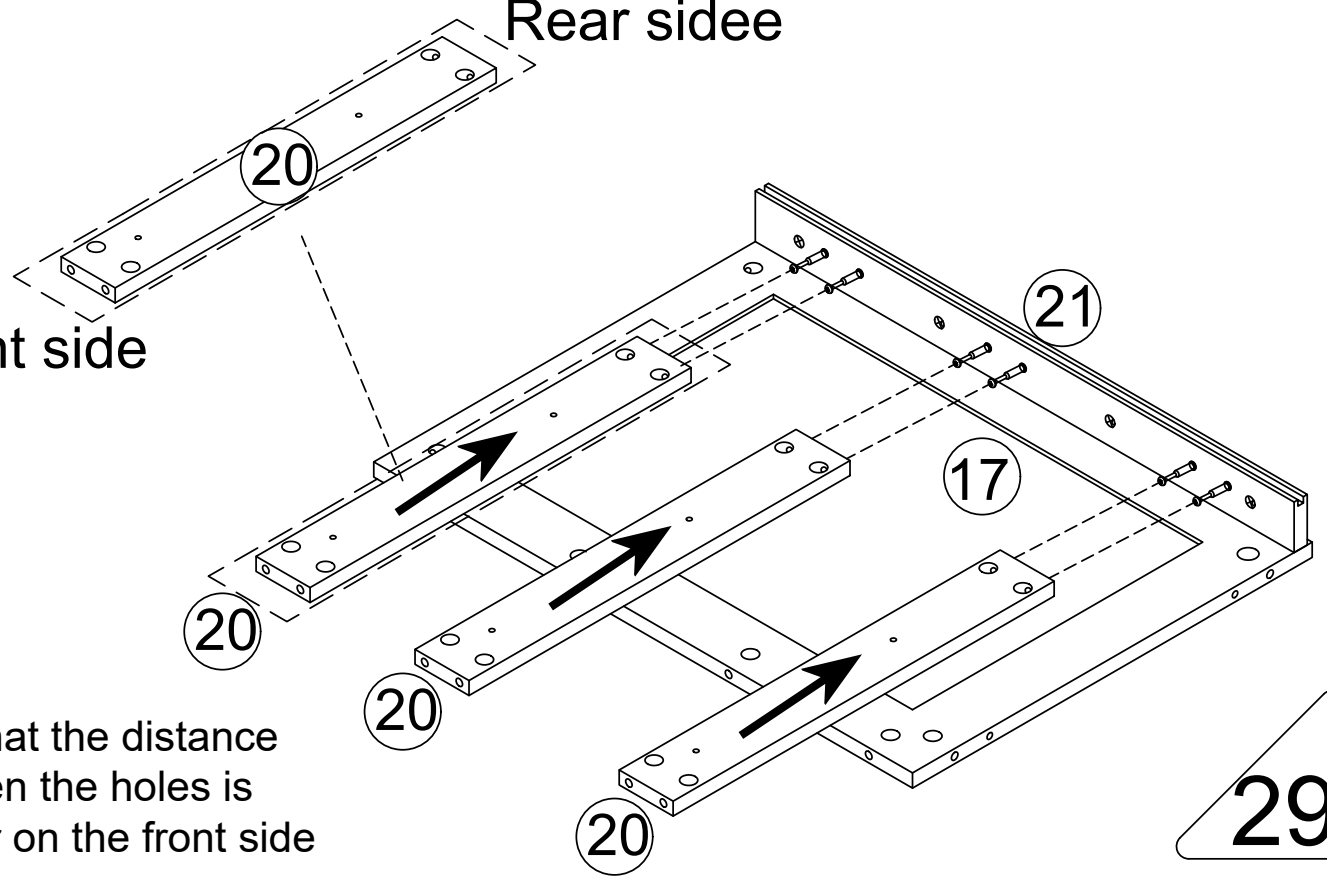
x4



Step 40

Rear side

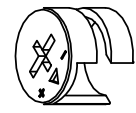
Front side



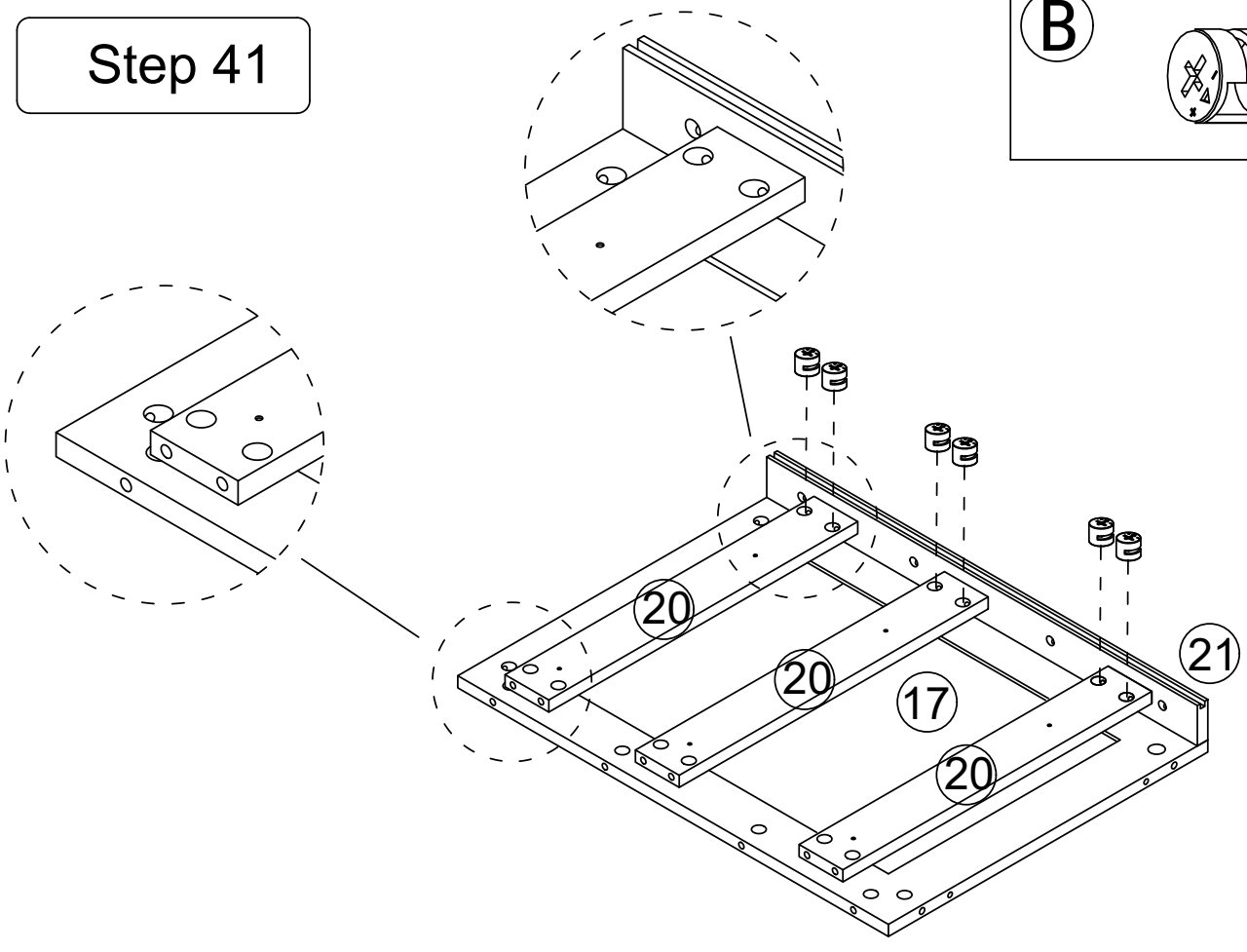
Note that the distance between the holes is shorter on the front side

Step 41

B

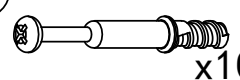


x6

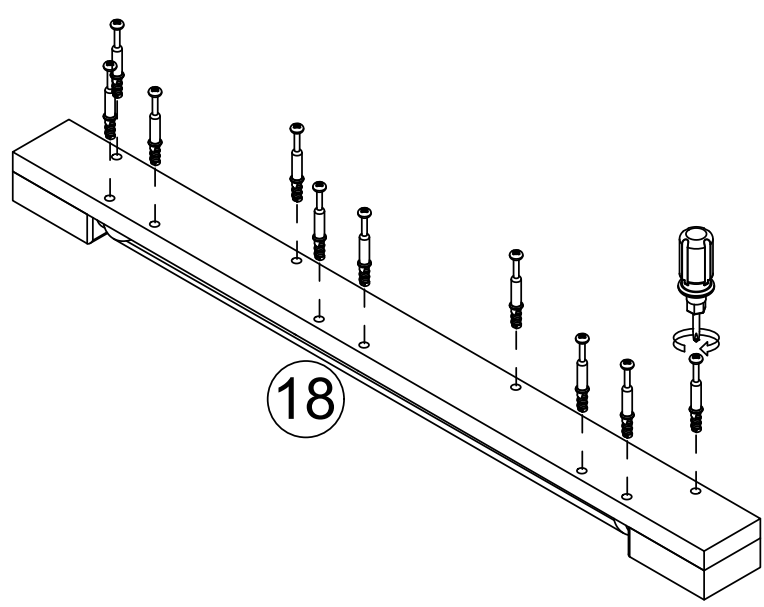


Step 42

A



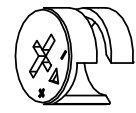
x10



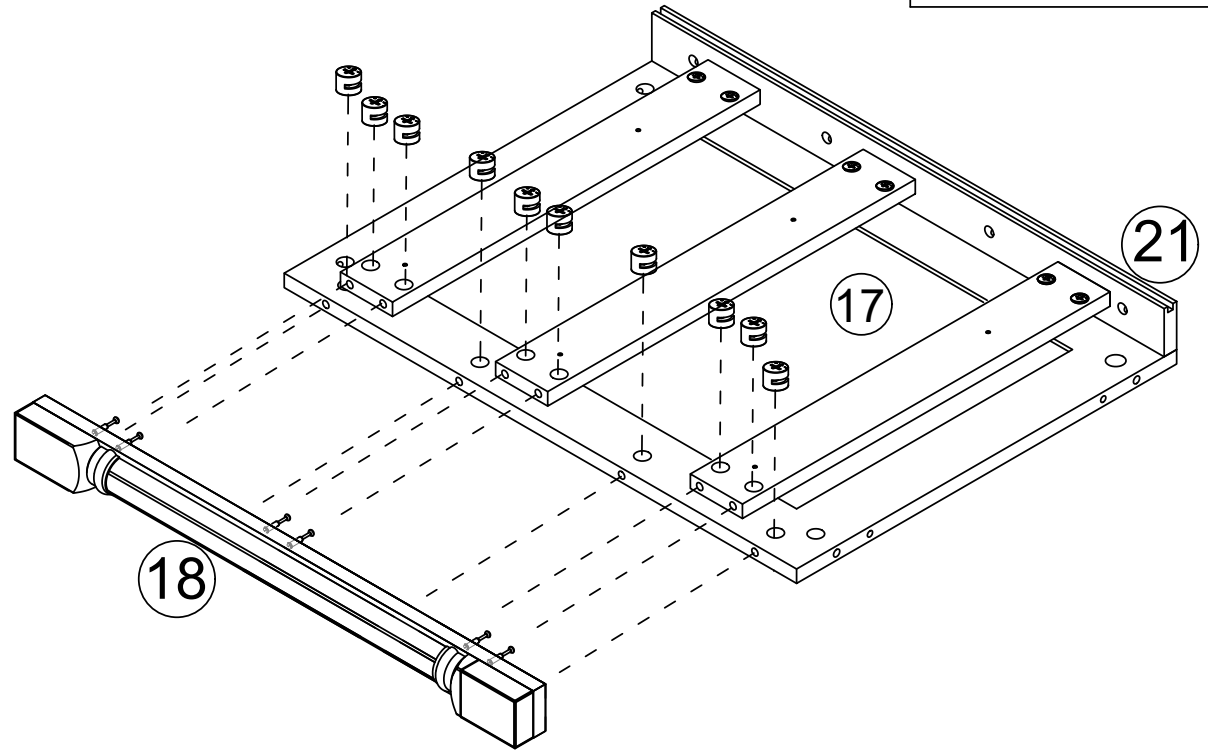
30

Step 43

B

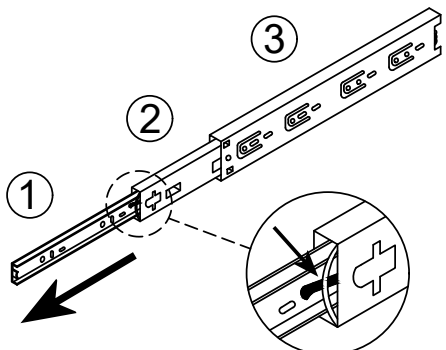


x10



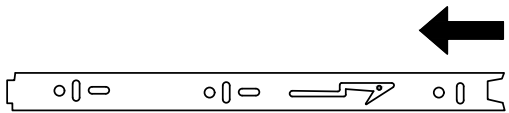
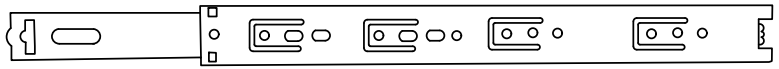
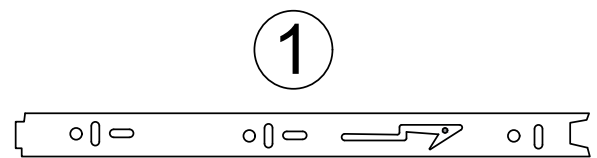
Step 44

Drawer rail breakdown diagram



Step 1 : Pull the rails apart

Step 2 : Push the nylon buckle outward ①

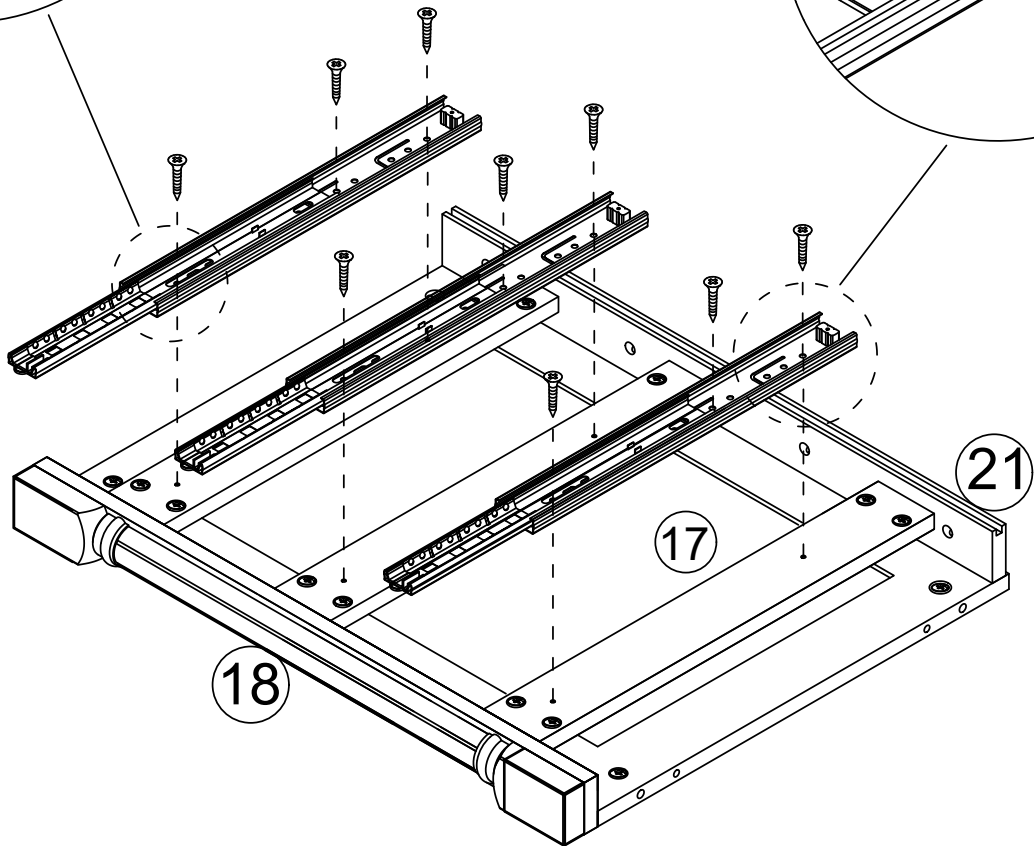
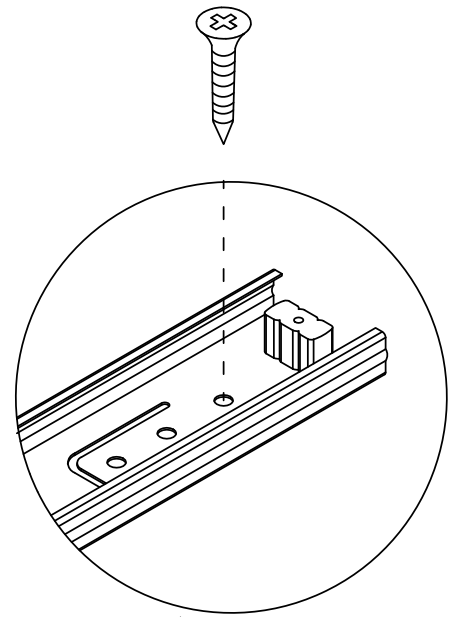
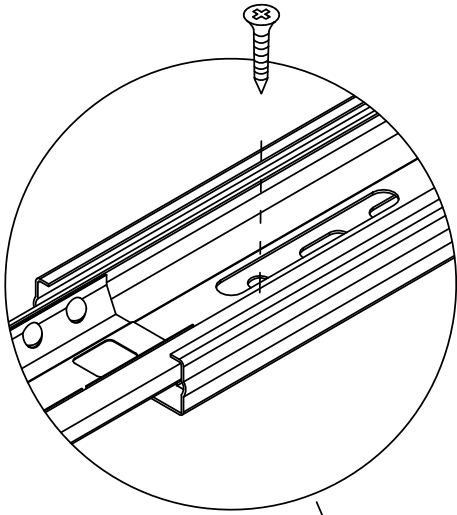
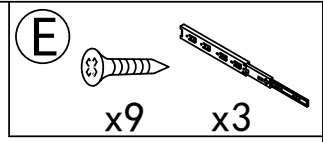
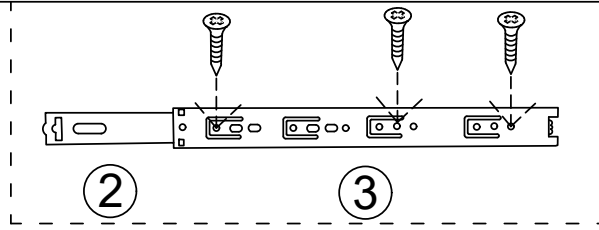


1

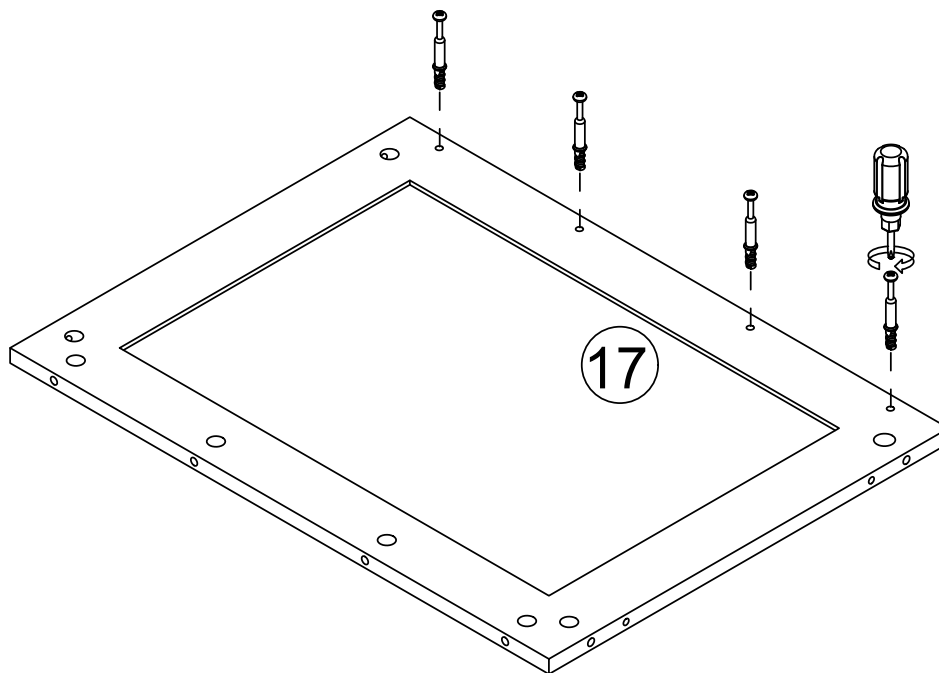
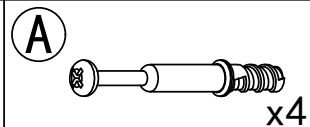
2

3

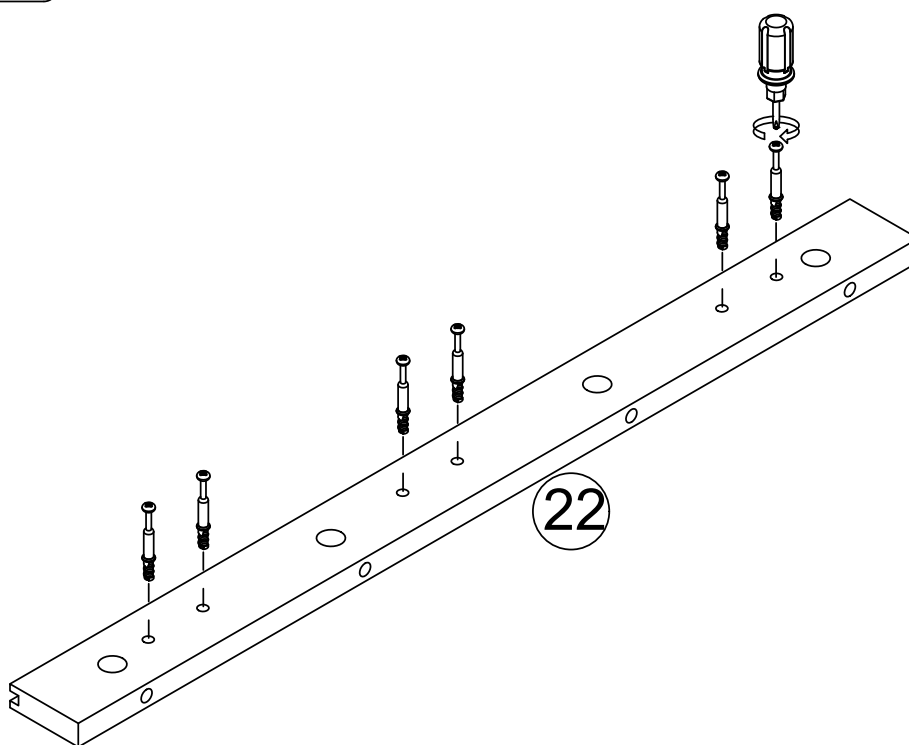
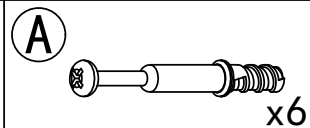
Step 45



Step 46

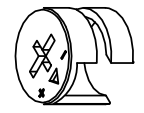


Step 47

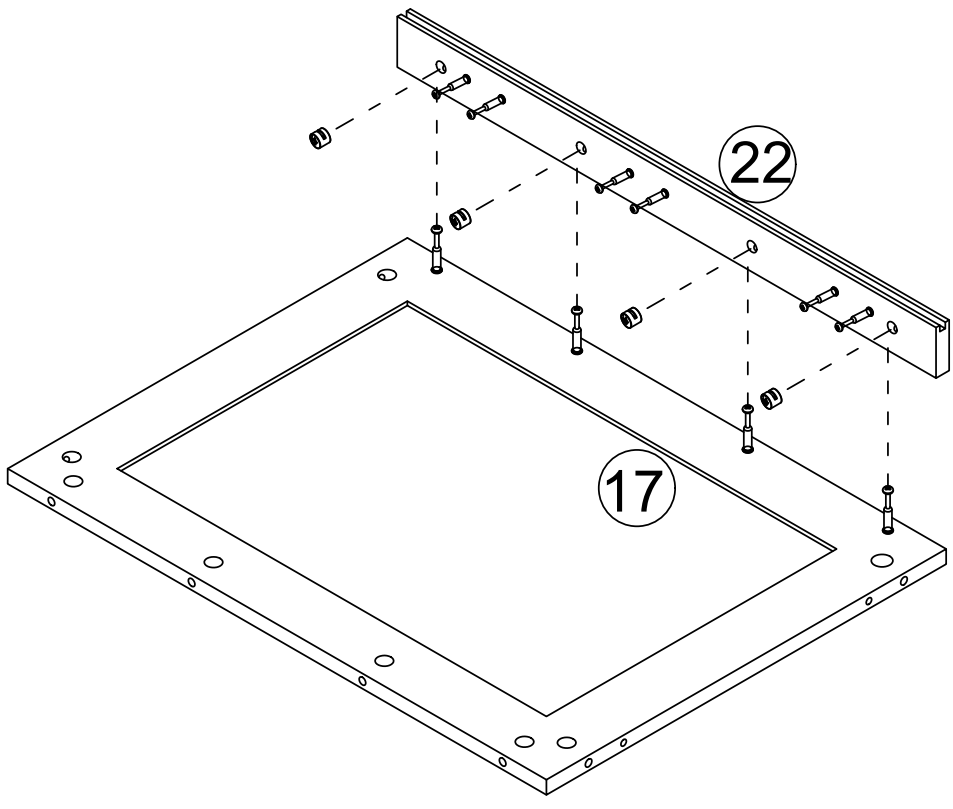


Step 48

B



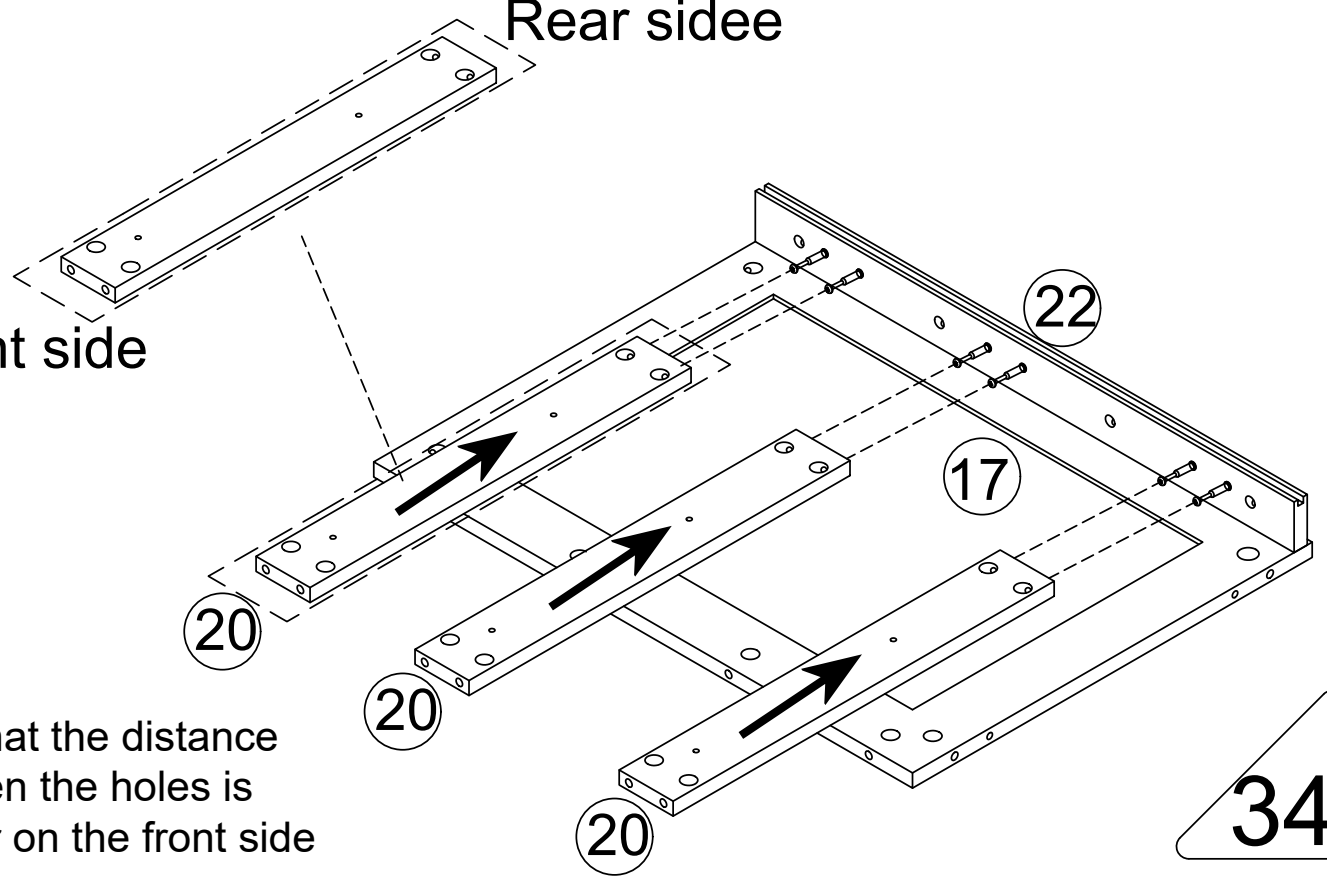
x4



Step 49

Rear sidee

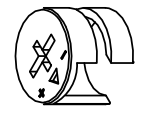
Front side



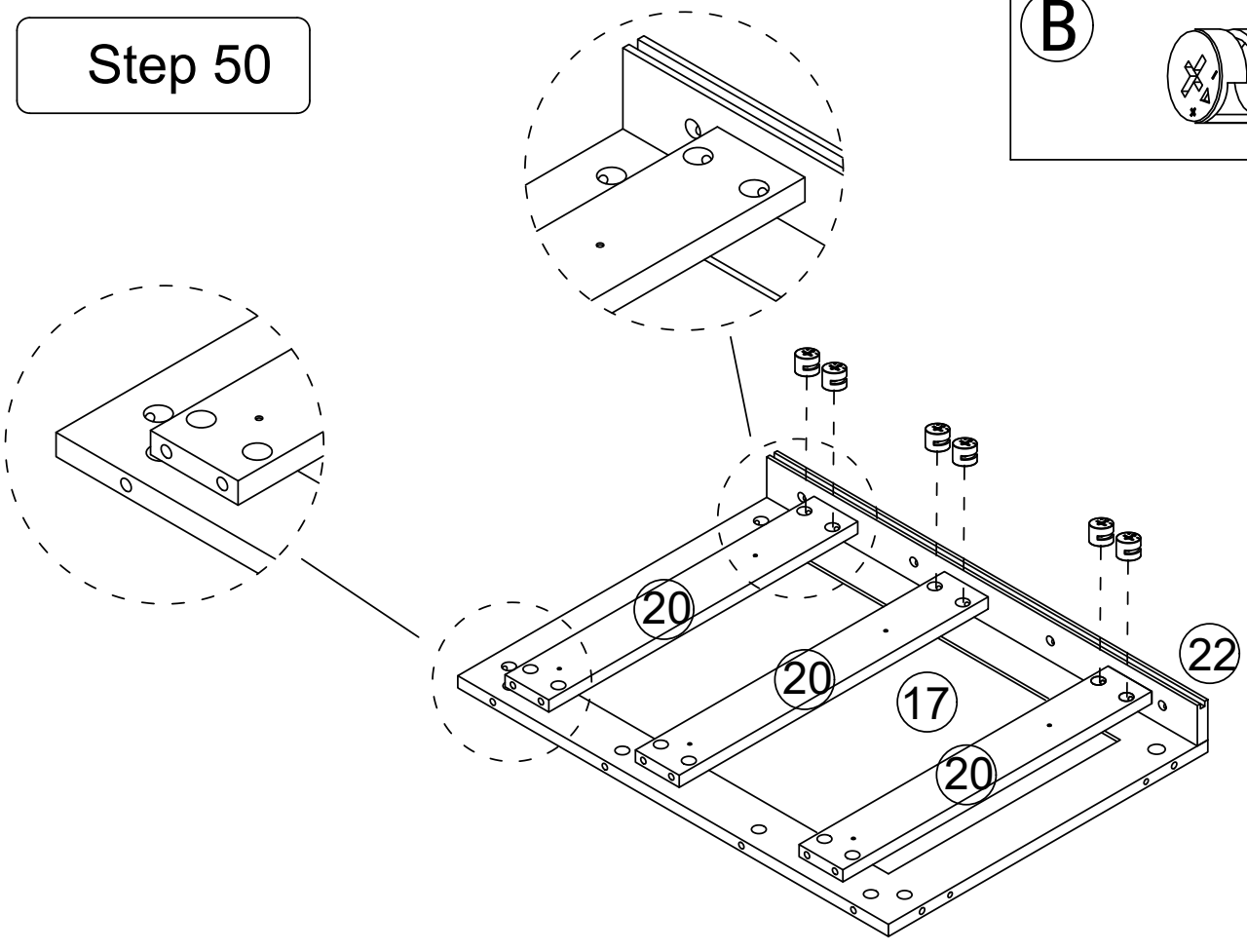
Note that the distance between the holes is shorter on the front side

Step 50

B

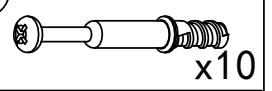


x6

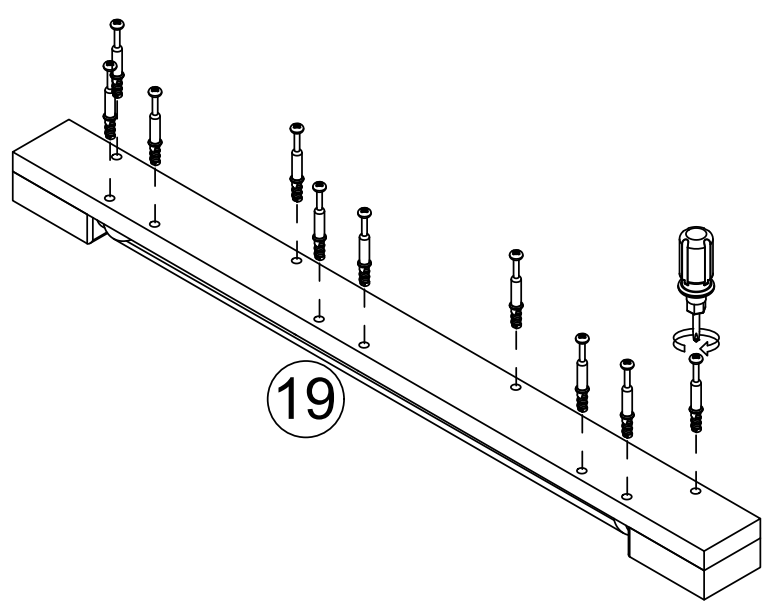


Step 51

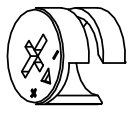
A

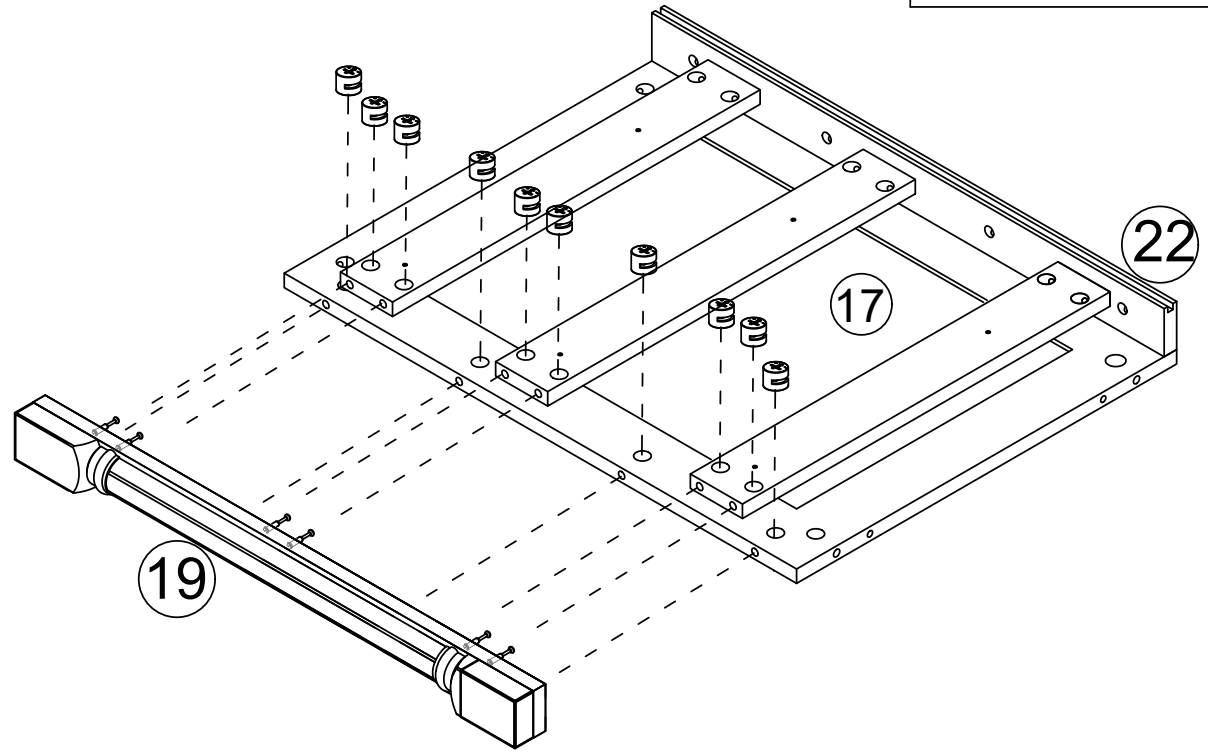


x10



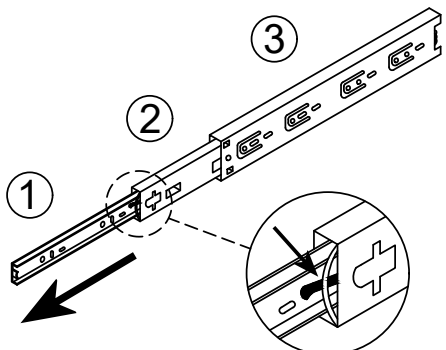
Step 52

B  x10

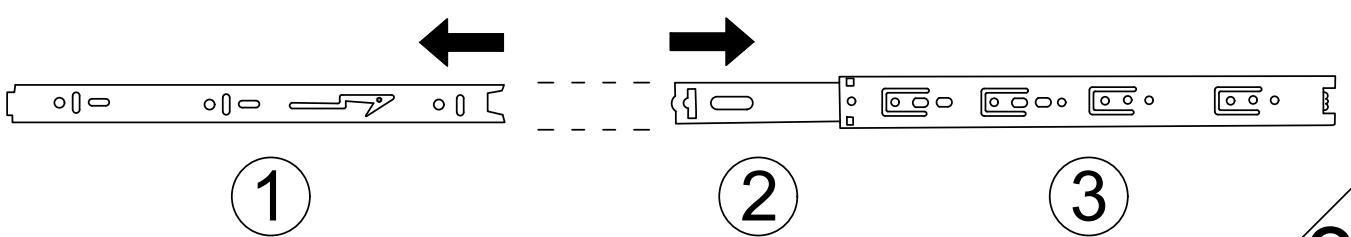
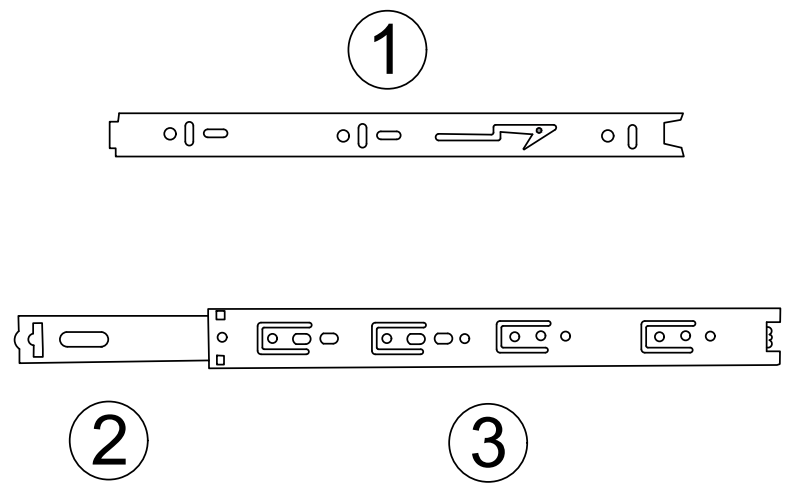


Step 53

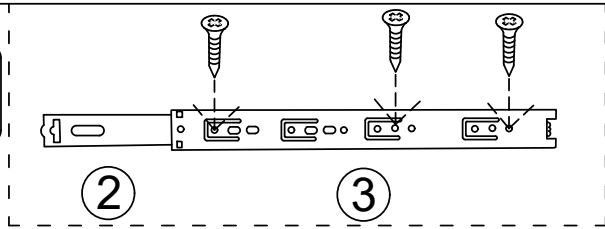
Drawer rail breakdown diagram

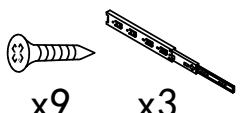


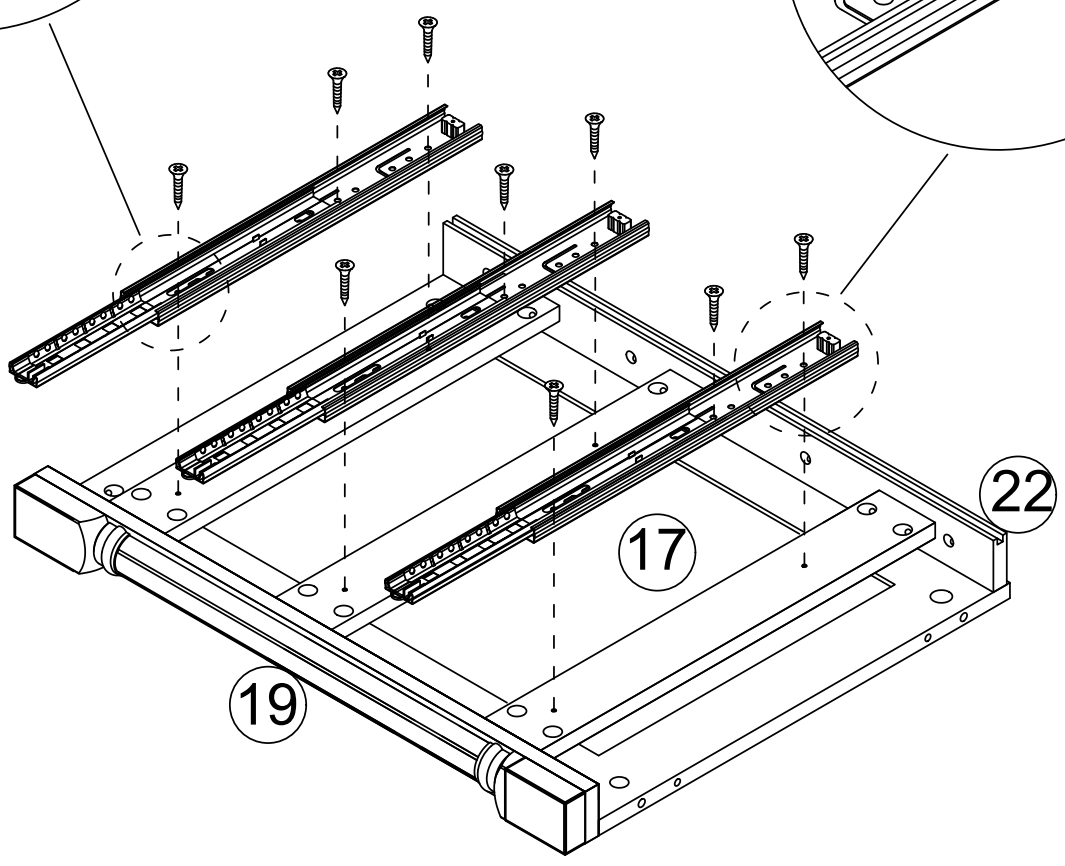
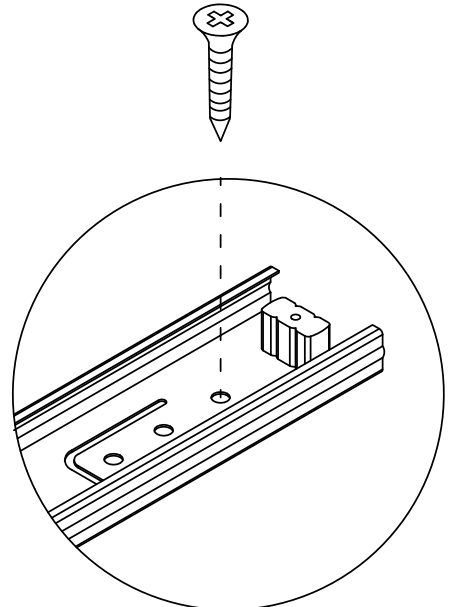
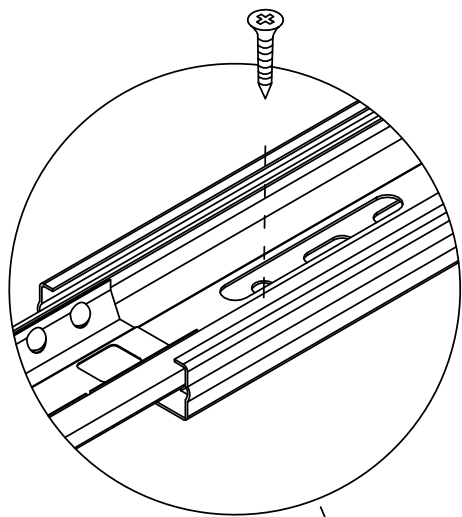
Step 1 : Pull the rails apart
Step 2 : Push the nylon buckle outward ①



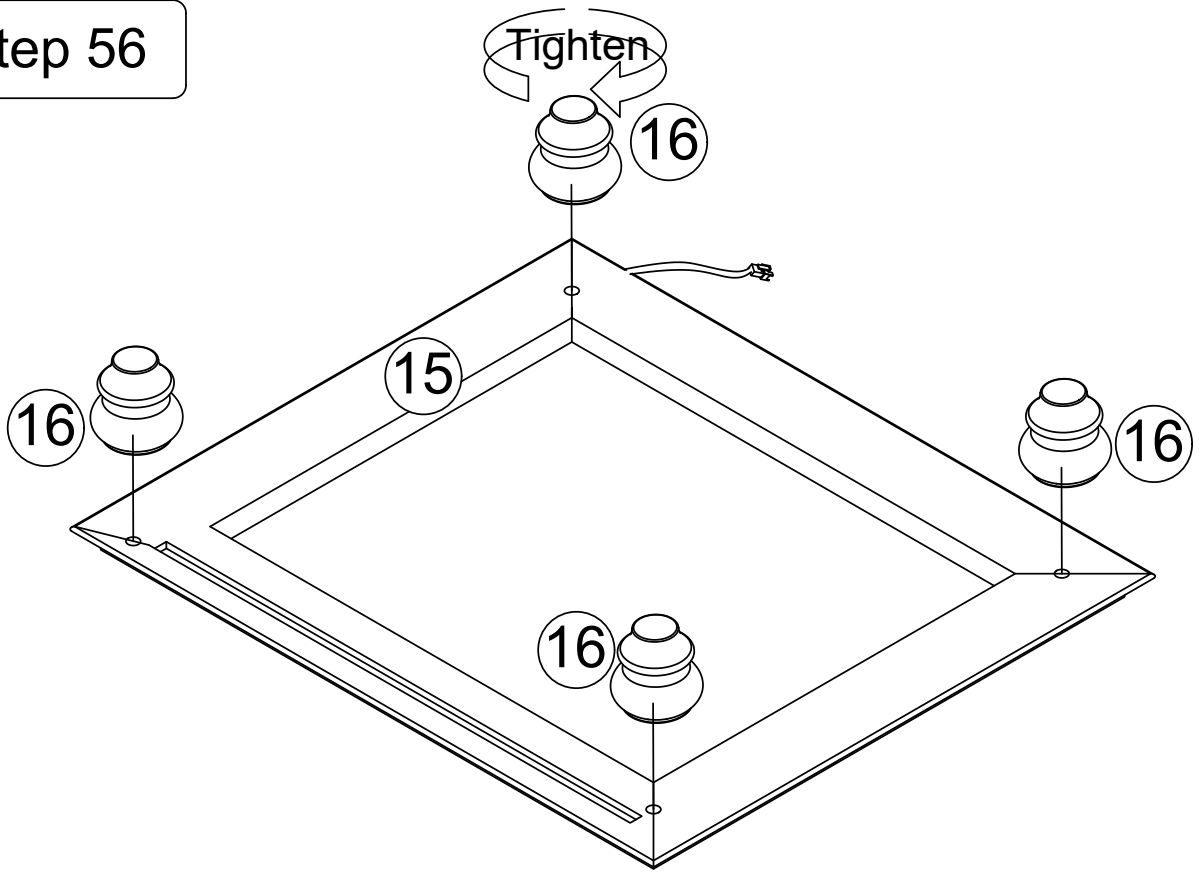
Step 54



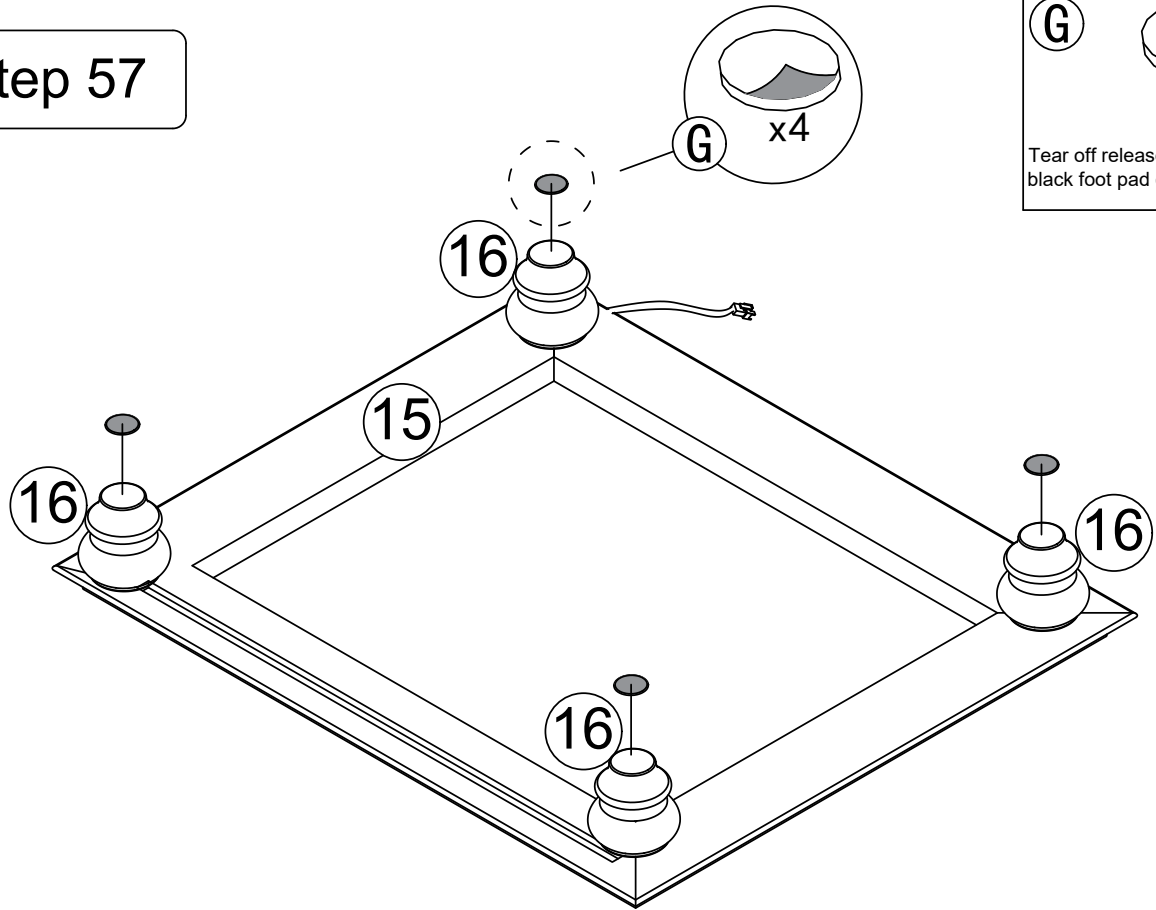
E 
x9 x3




Step 56



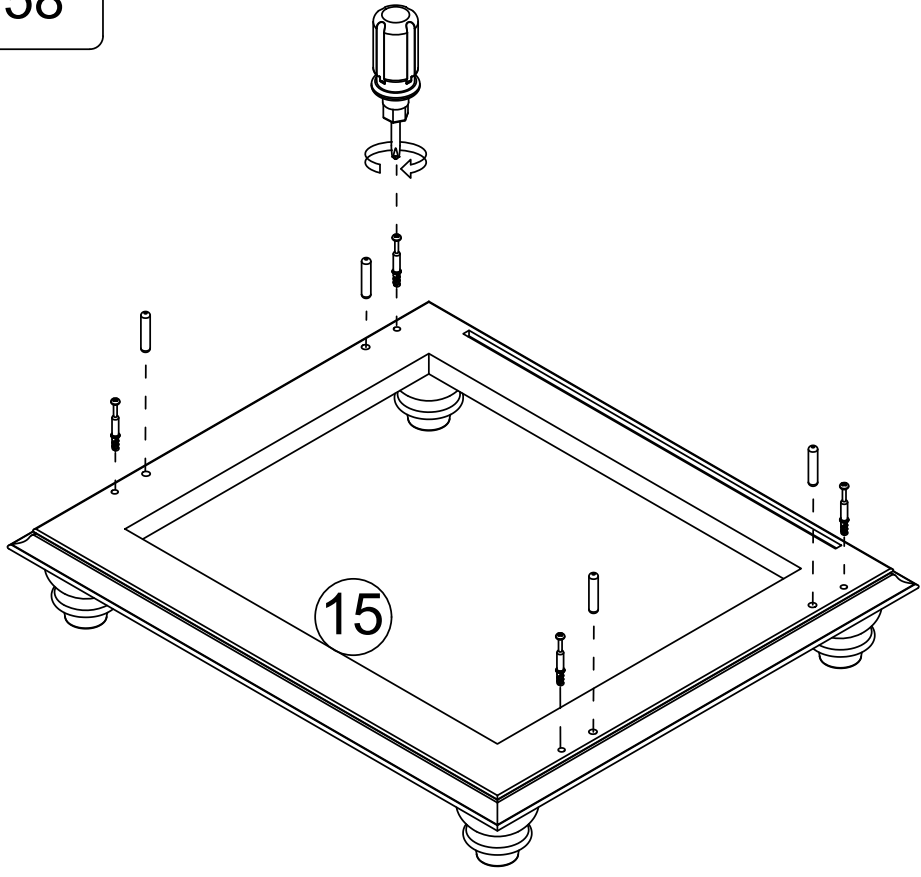
Step 57

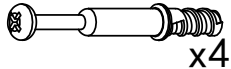



G  x4

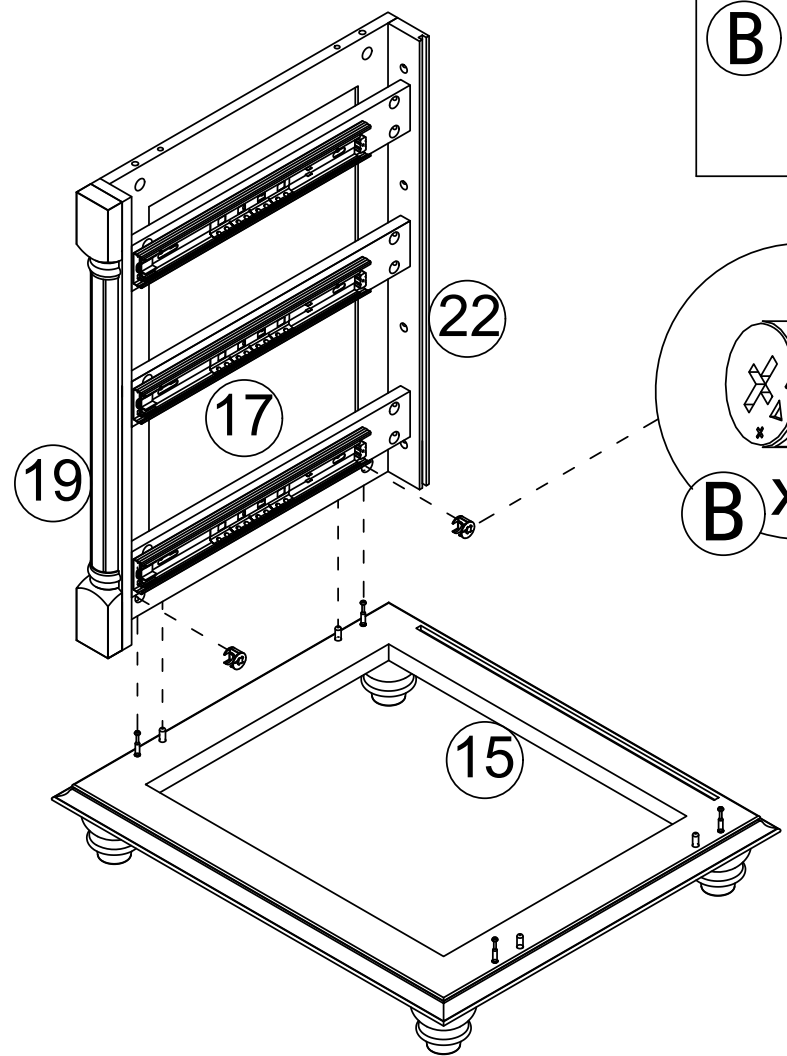
Tear off release paper and stick the black foot pad on the board

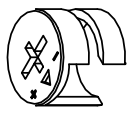
Step 58

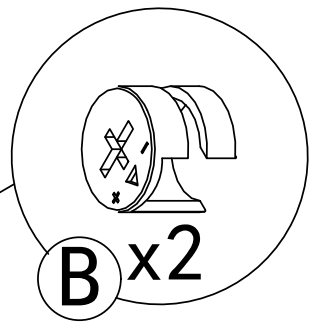


- A**  x4
- C**  x4

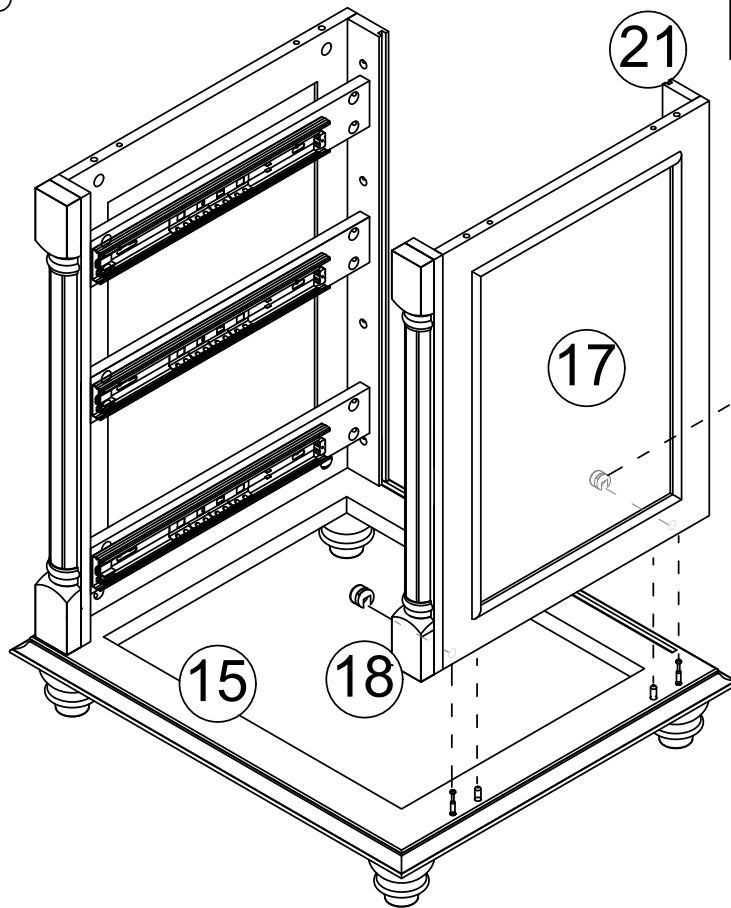
Step 59



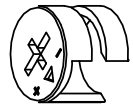
- B**  x2



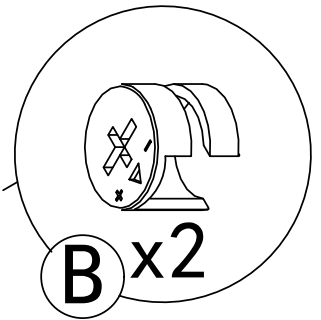
Step 60



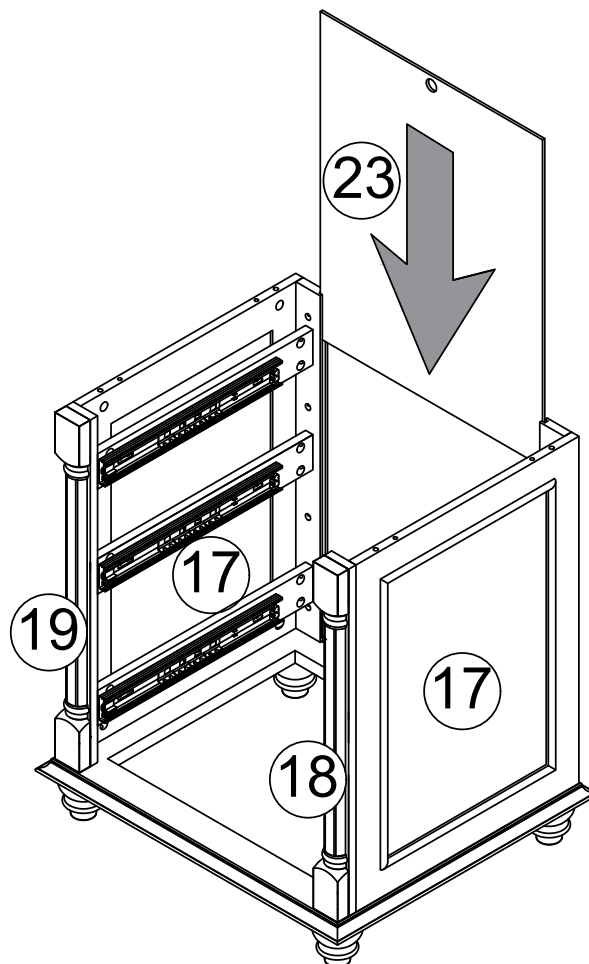
B



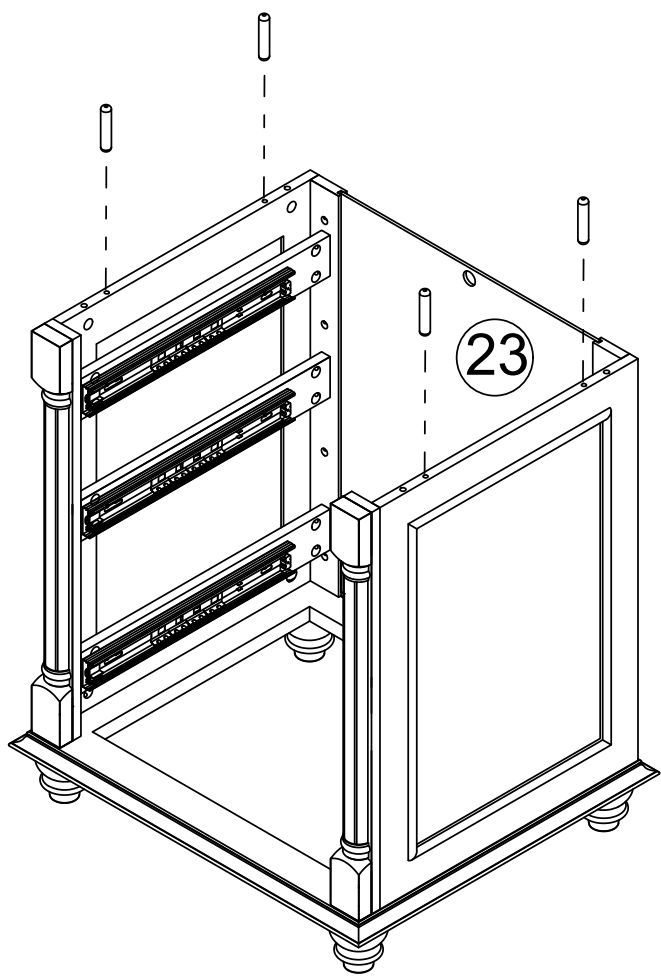
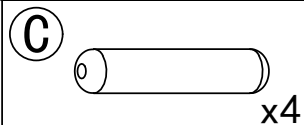
x2



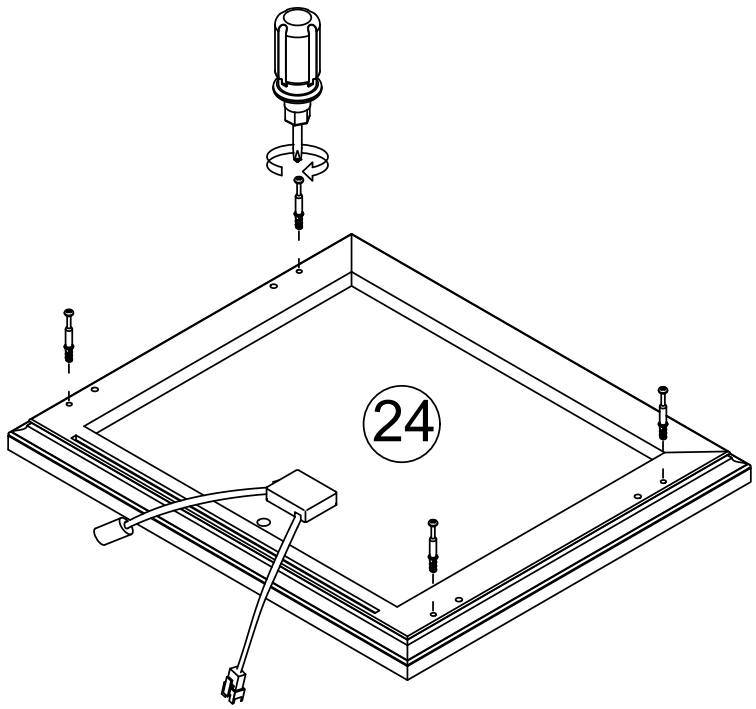
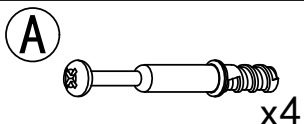
Step 61



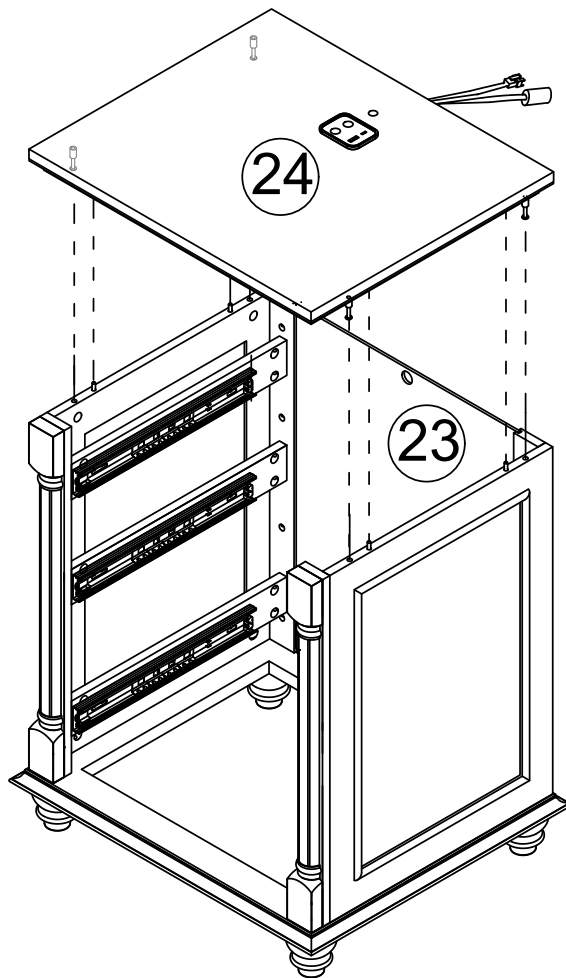
Step 62



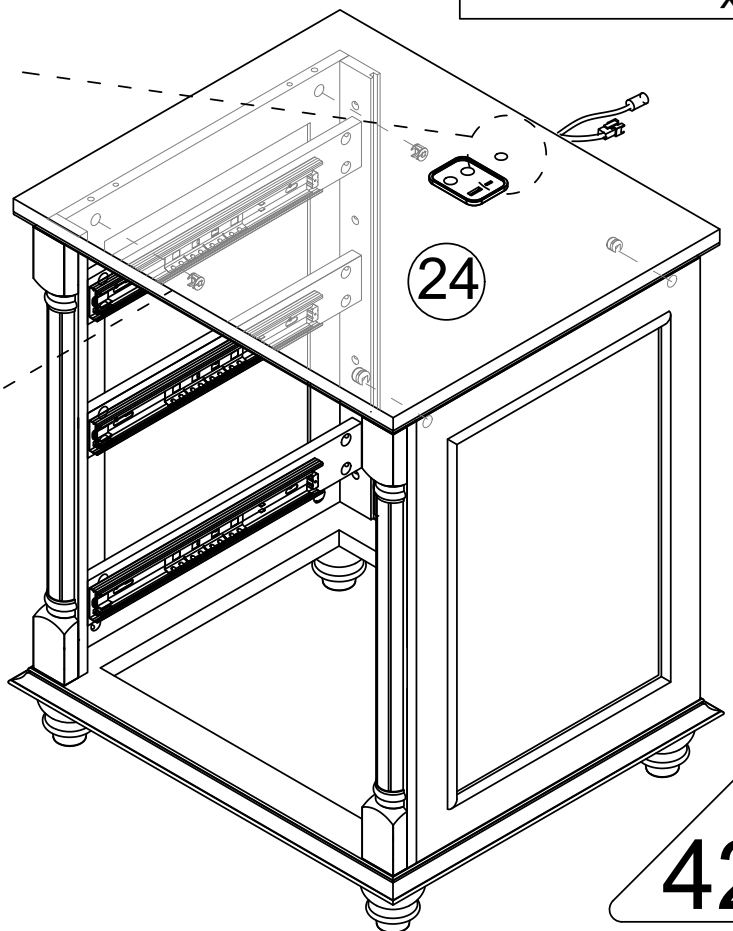
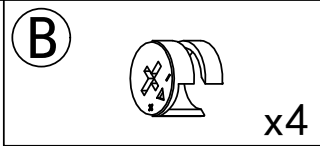
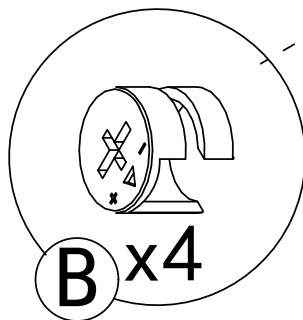
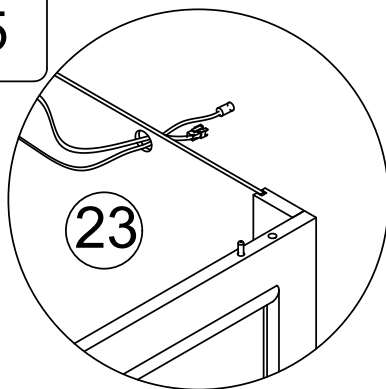
Step 63



Step 64

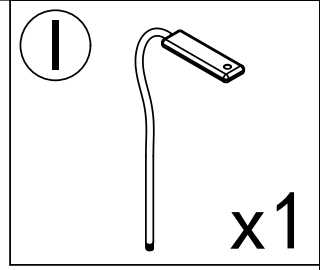


Step 65

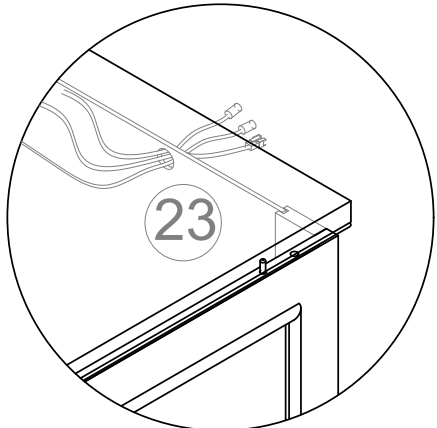
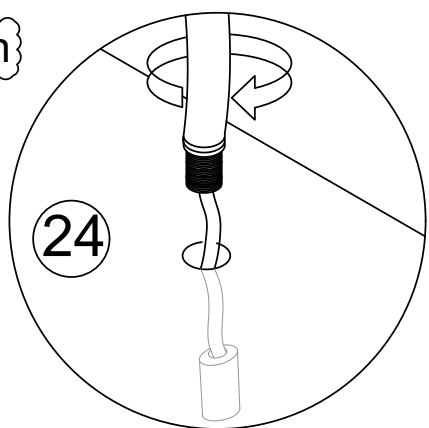
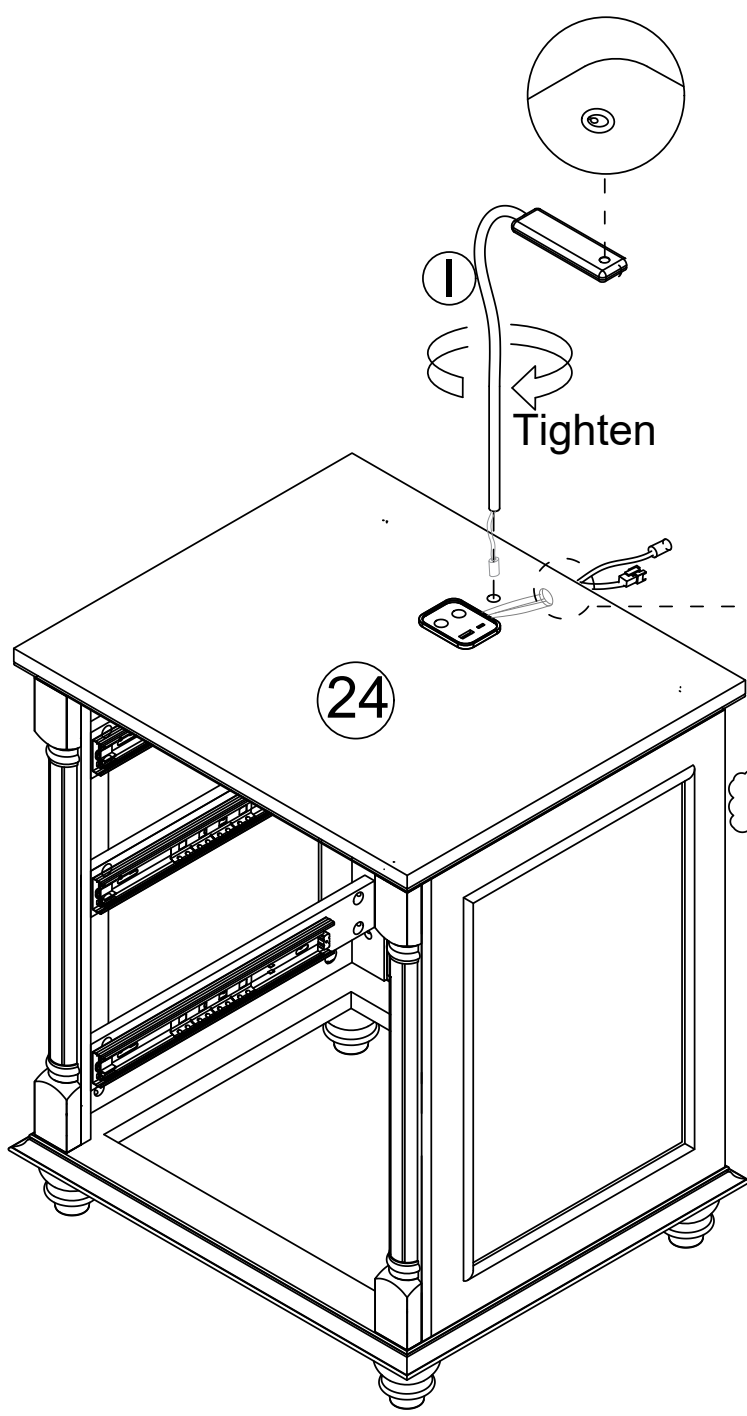


Step 66

This is the light switch.
Click once to turn on the light,
then click twice to switch colors,
and click the fourth time to turn off the light



Can be bent to the appropriate position

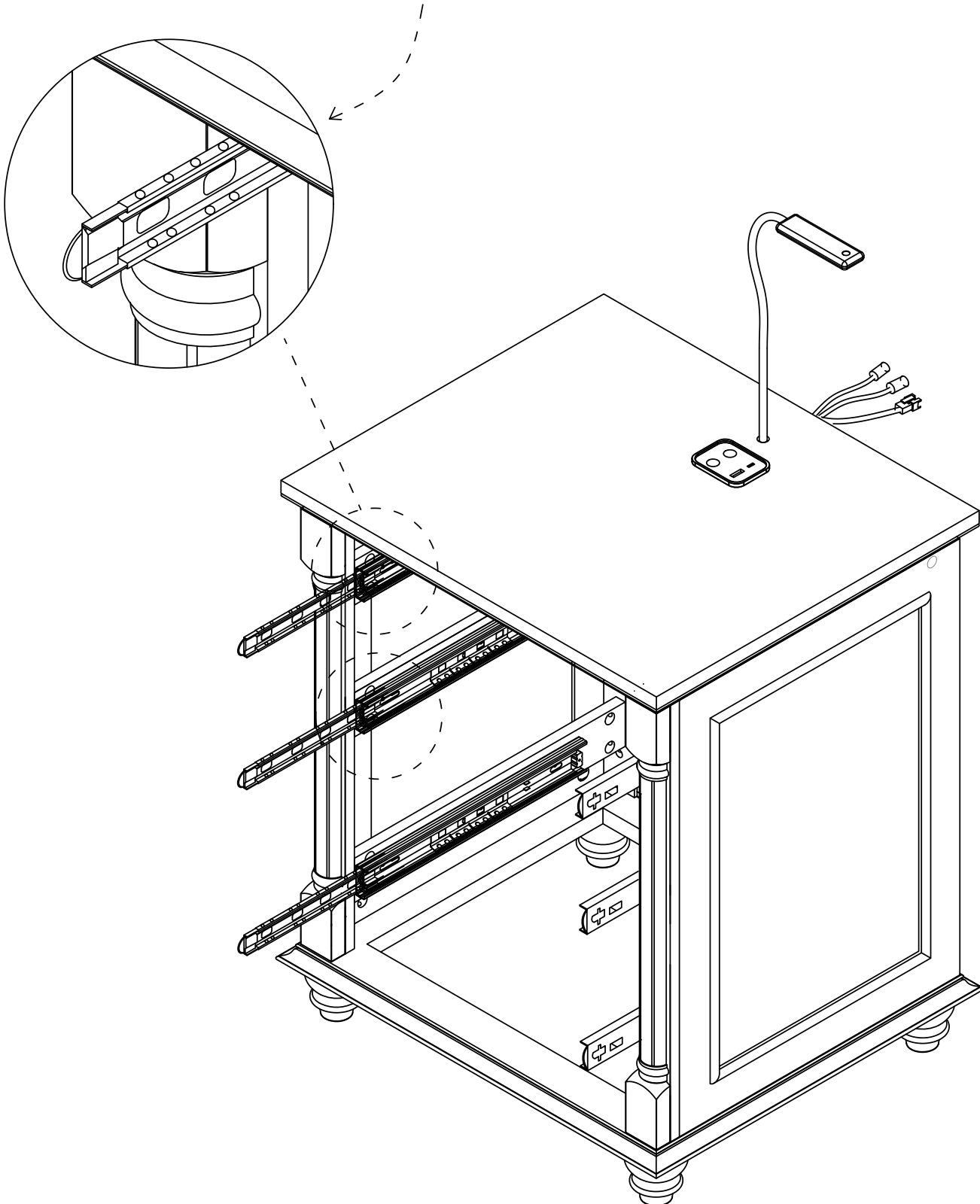


Pass the DC port through the 24|23 board

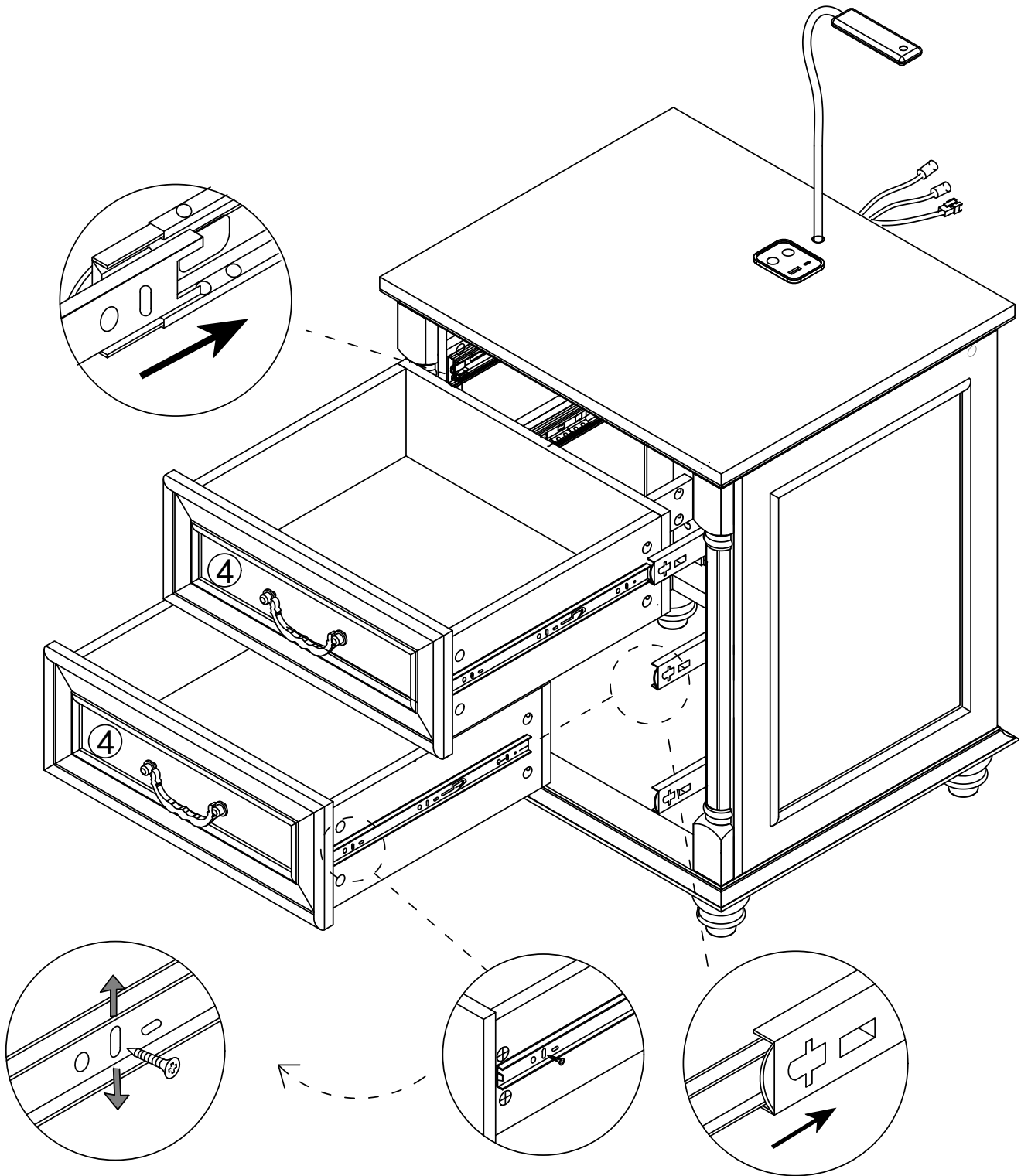
Step 67



As shown, When installing the drawer, pull the guide rail out first, Slide beads are also pulled out.

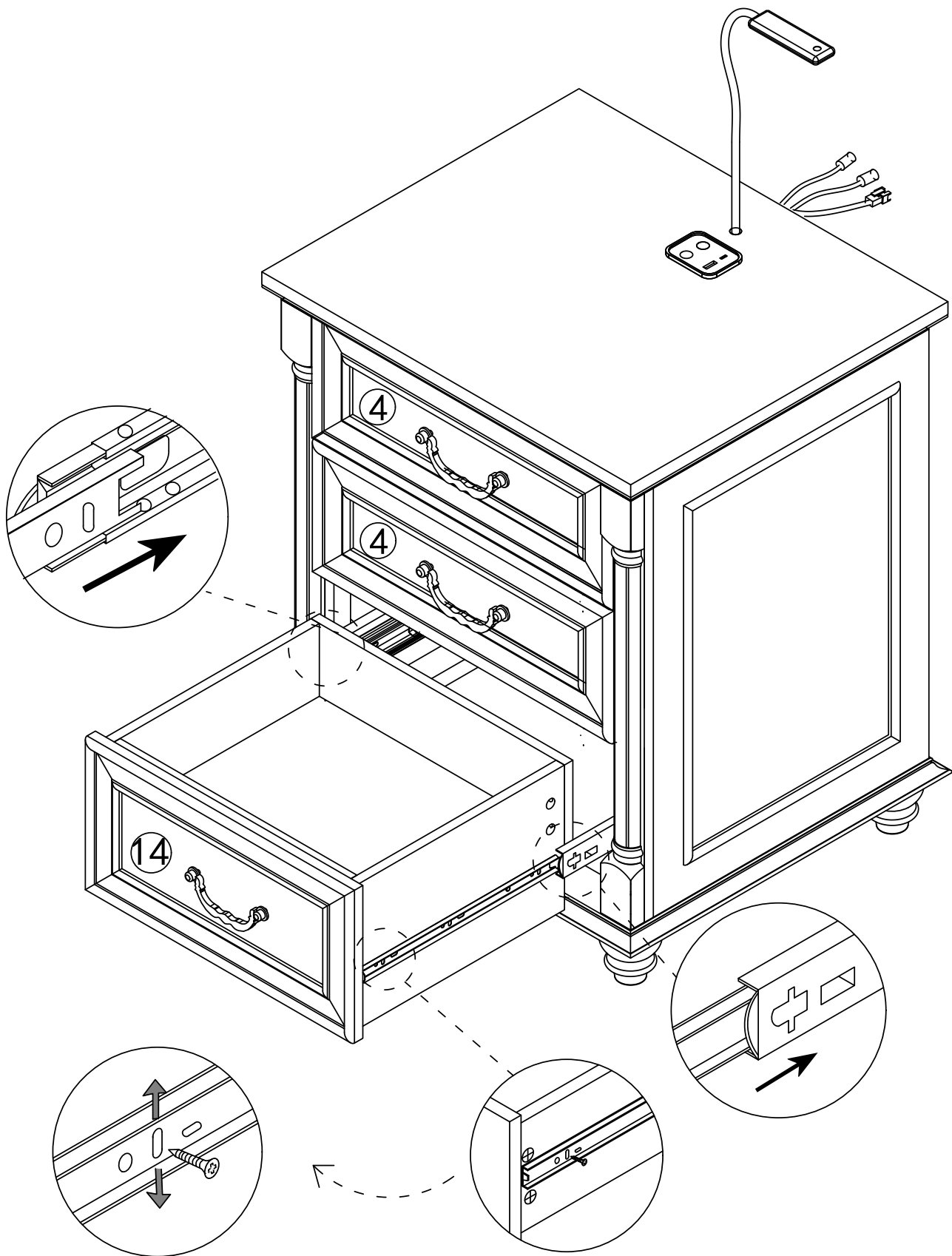


Step 68



If a large gap is found after installing the drawer the slide rail can be moved up and down to adjust the gap

Step 69



If a large gap is found after installing the drawer the slide rail can be moved up and down to adjust the gap

Step 70

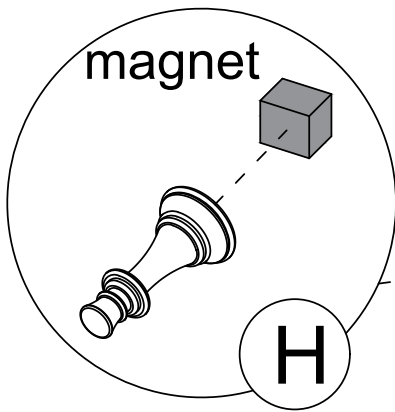
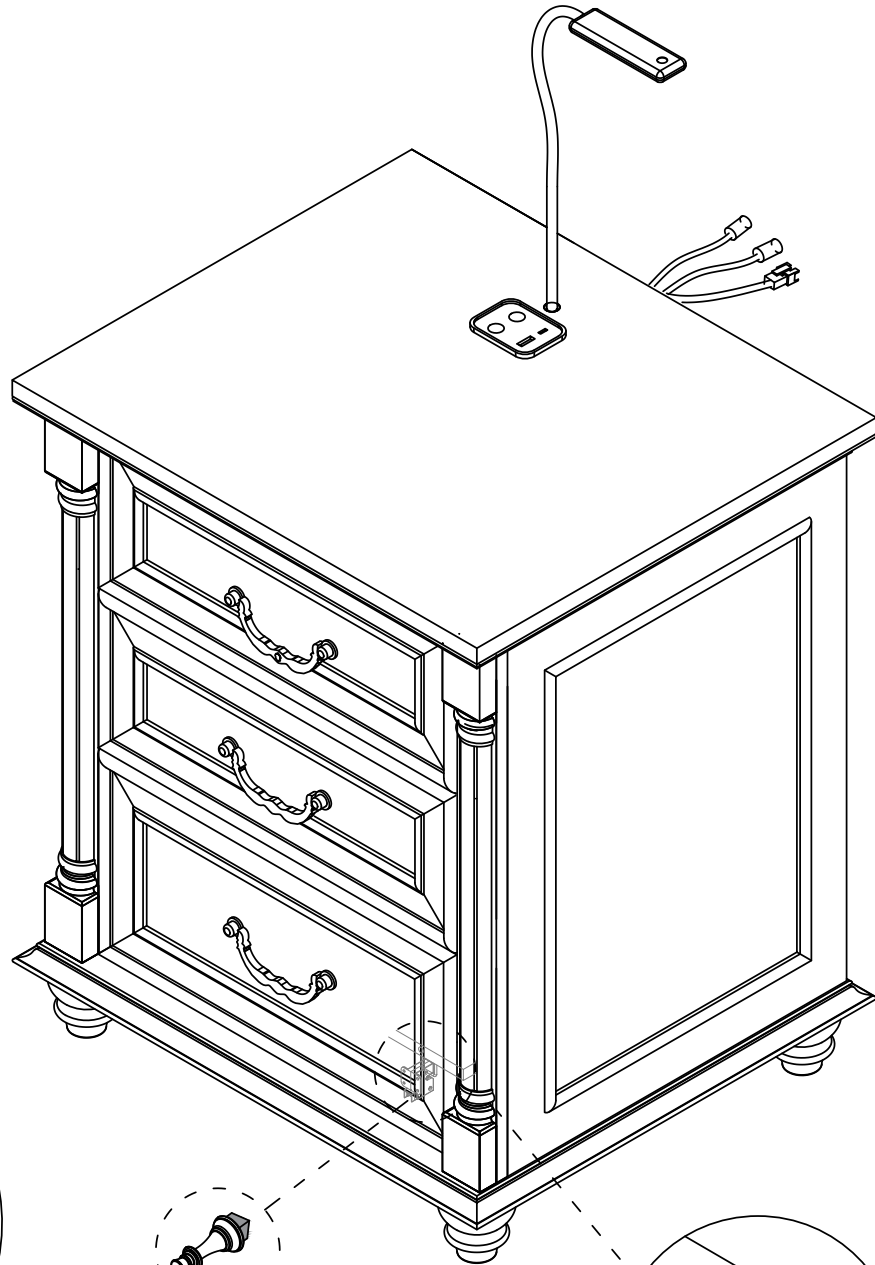
H



x1

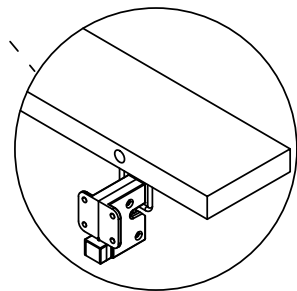


x1



magnet

H

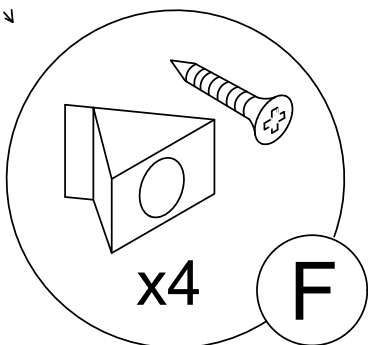
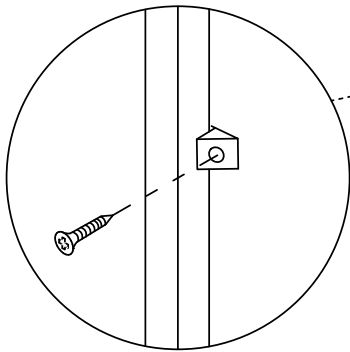
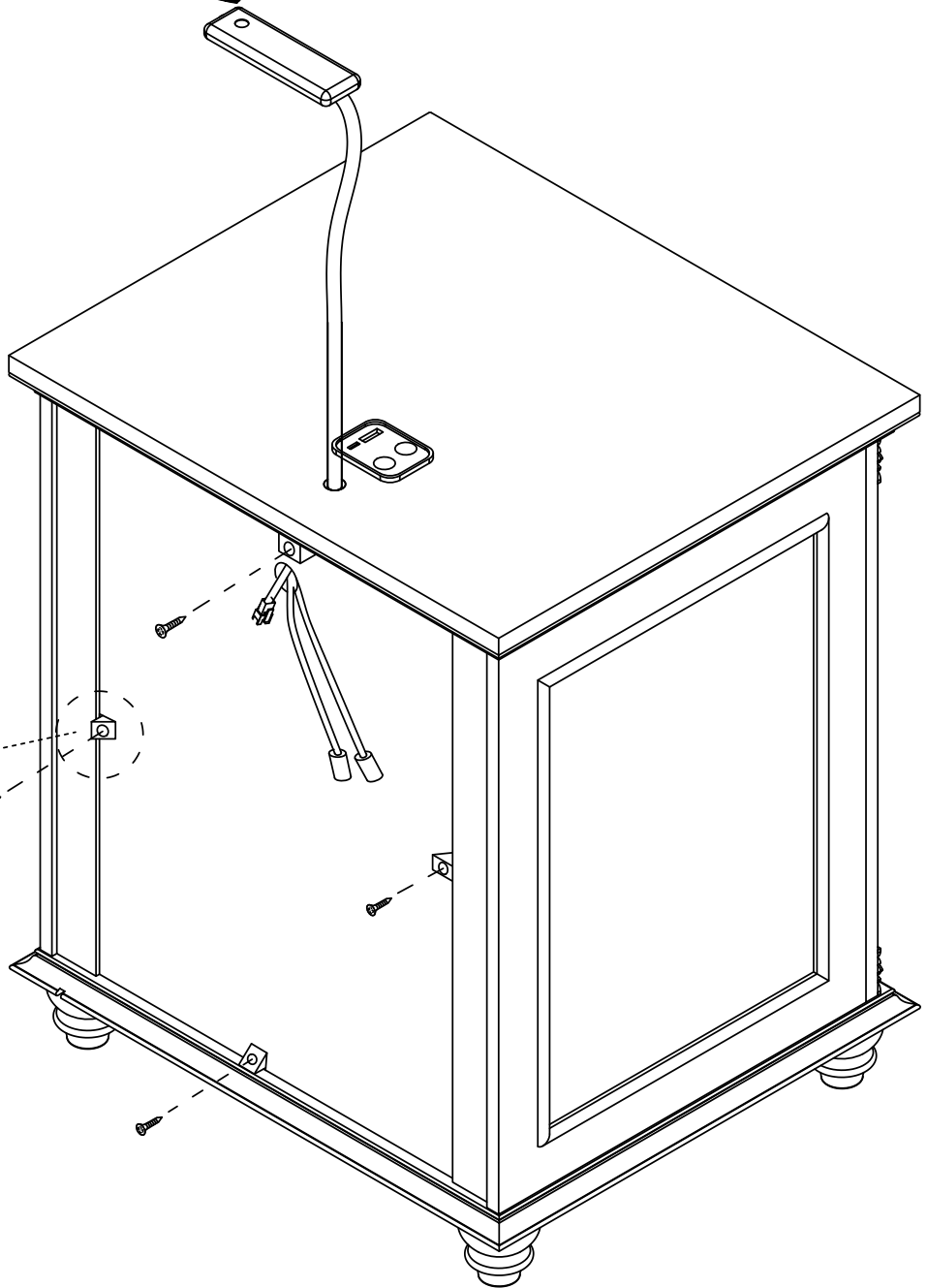
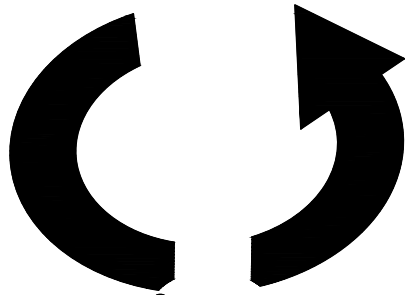
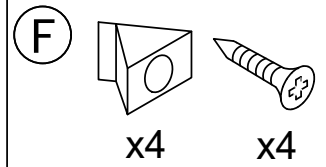


lock

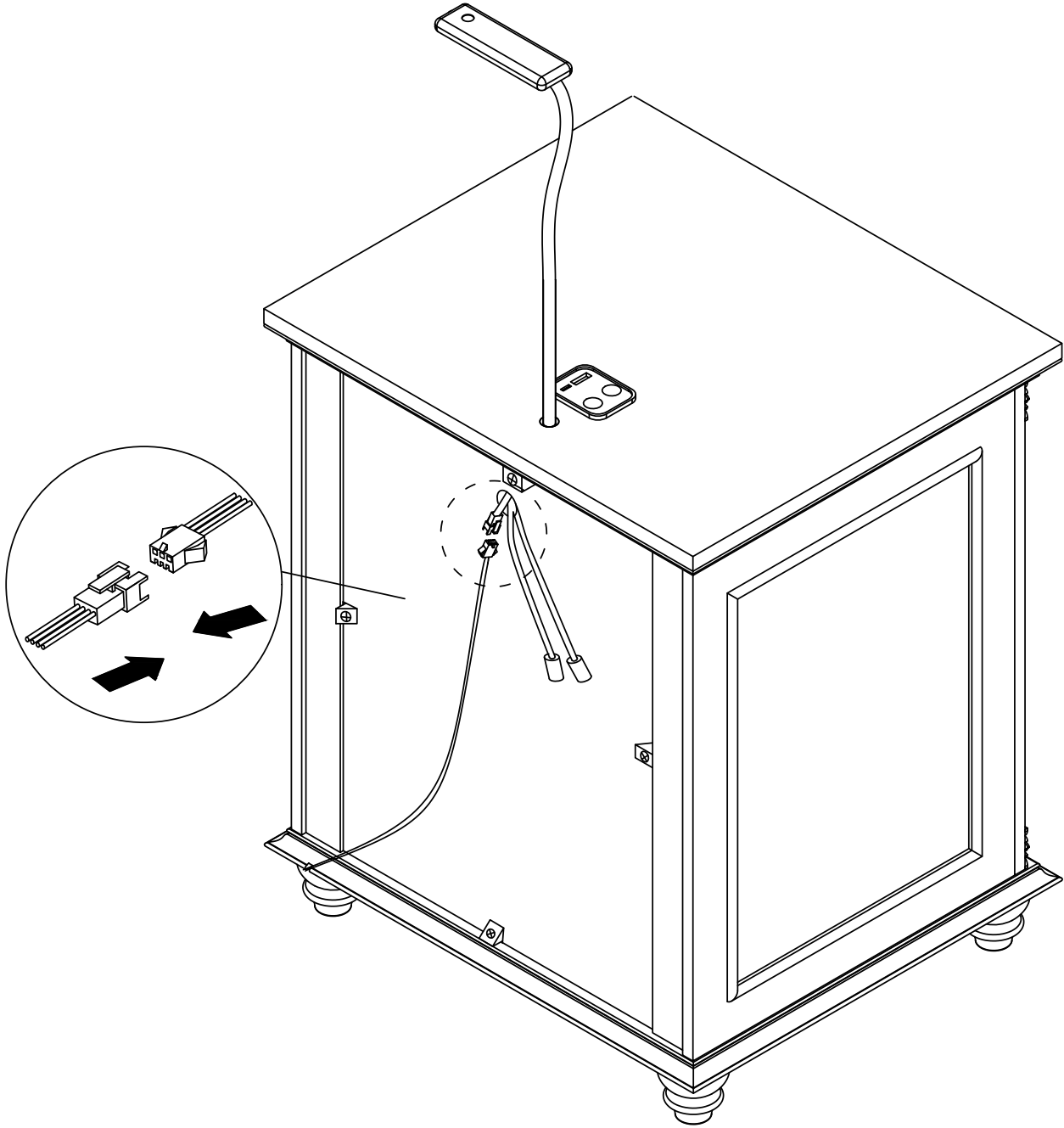
Place the magnetic key above the hidden lock

Step 71

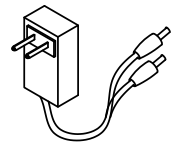
Rotate to Back



Step 72

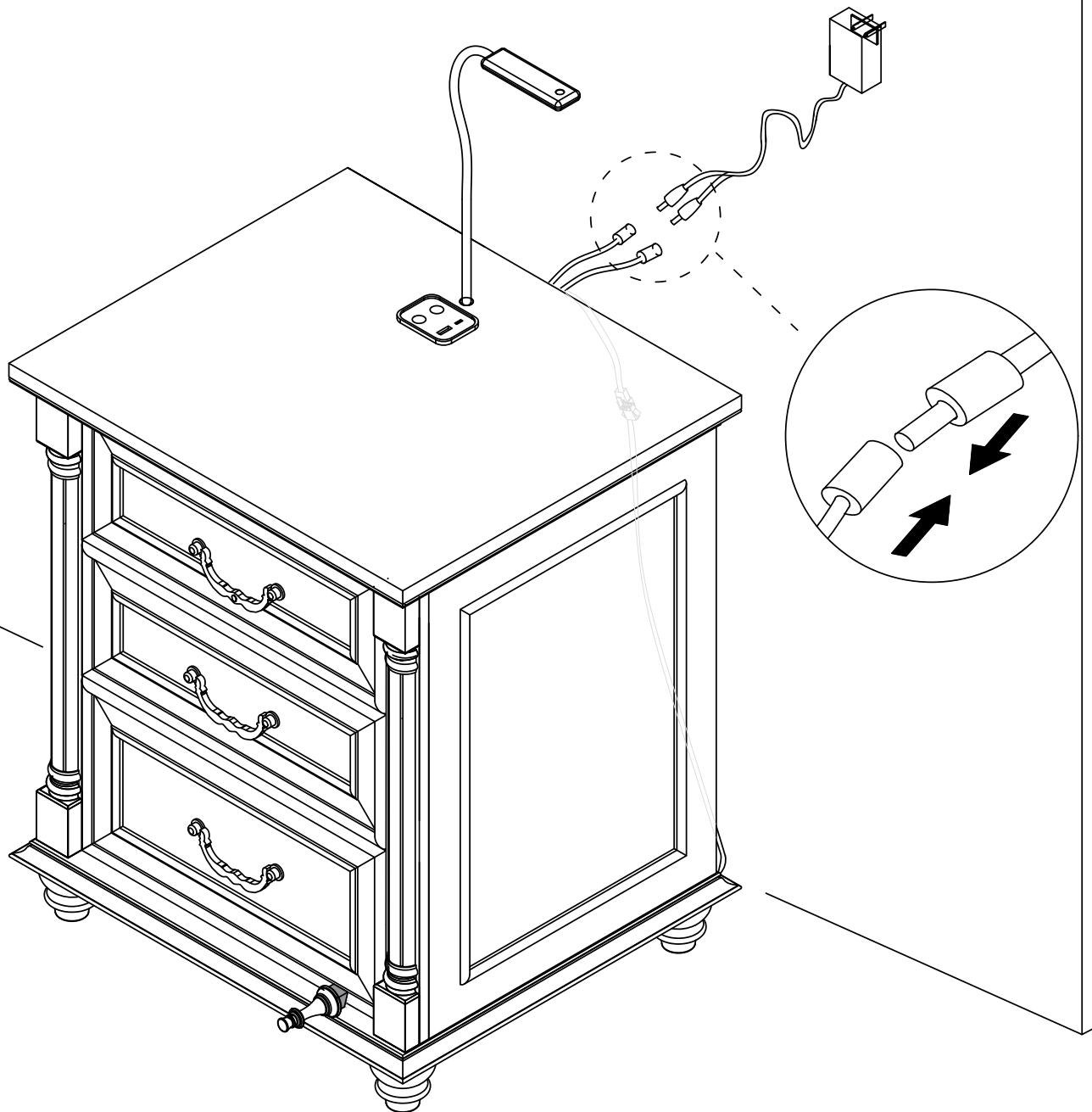


Step 73



x1

Wall



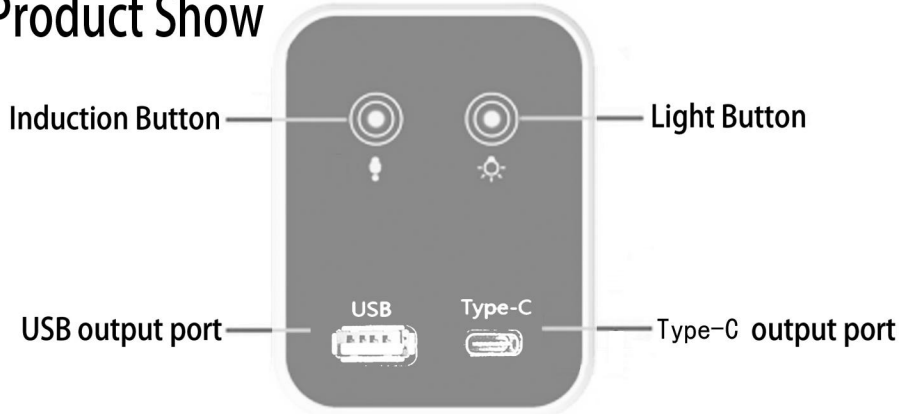
User's Guide

Thank you for purchasing this product. To use this product, please plug it into a 12V DC power supply. Please use if the product works normally after connecting to power.

Introduction

The box is an intelligent controller. It has 1 USB port and 1 type-C port and can distribute the current output up to 5V DC-2A. With 2 touch buttons, it can turn ON/OFF the light, change light colors, and adjust the light luminance.

Product Show



ATTENTION PLEASE

1. If there is no touch response suddenly, Re-plug the power to reset the touch static electricity.
2. If bubbles appear on the panel, remove the protective film.

Operation



This touch button is used to turn on/off, change colors, and adjust brightness.

A. Short touch -> lighting on -> short touch -> change light color -> short touch -> change light color -> short touch -> lighting off. B. Long touch -> adjust the luminance



This touch button is used to turn on/off the induction function.

A. Short touch to turn on the induction function. It can auto-turn on the light when people are close to the controller in 1 meters. It can auto power off the light when the body is far away from the controller after 30 seconds.

B. Long touch to turn off the induction function.

C. Note: When you touch the light button to change the light modes, the induction function will automatically turn off. It is best to turn on this function after selecting the light color and adjusting the brightness you want.