

# **INSTRUCTION MANUAL**

---

## ASSEMBLY INSTRUCTIONS

### ASSEMBLY TIPS:

1. Simply remove the lamp from packaging.
2. Please check to see that all hardware and parts are present prior to start of assembly.
3. Please follow attached instructions in the same sequence as numbered to assure fast & easy assembly.

### WARNING!

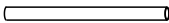
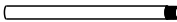


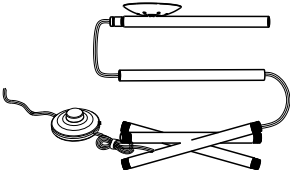

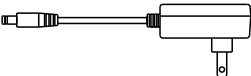



1. Don't attempt to repair or modify parts that are broken or defective. Please contact the store immediately
2. This product is for home use only and not intended for commercial establishments.

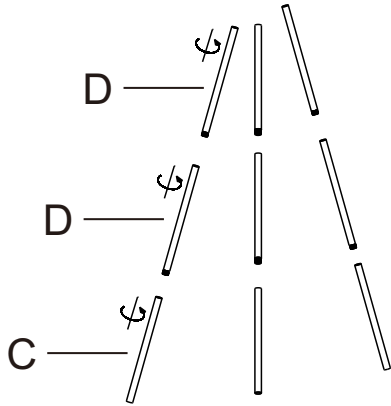
**ASSEMBLY TIME**

**15 MINUTES**

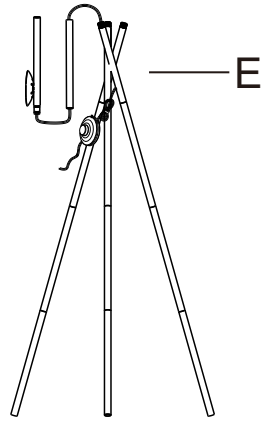
## PARTS IDENTIFICATION

A	SHORT POLE		2PCS
B	SHORT POLE WITH THREAD		2PCS
C	LONG POLE		3PCS
D	LONG POLE WITH THREAD		6PCS
E	LAMP BODY		1PC
F	GLASS SHADE		1PC
G	LED DRIVER		1PC
H	CLIPS		2PCS

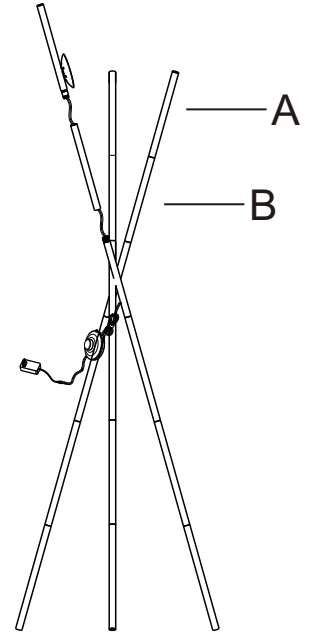
### STEP1



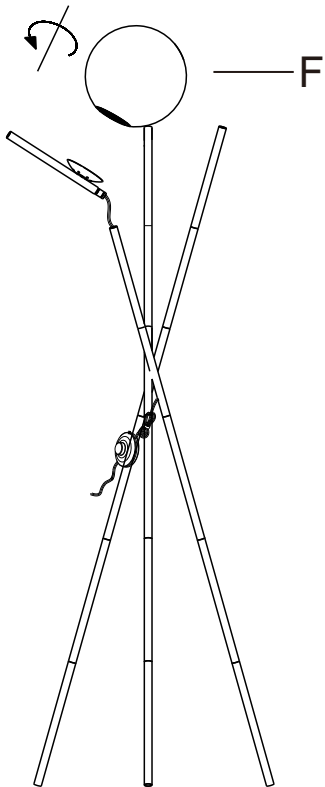
### STEP2



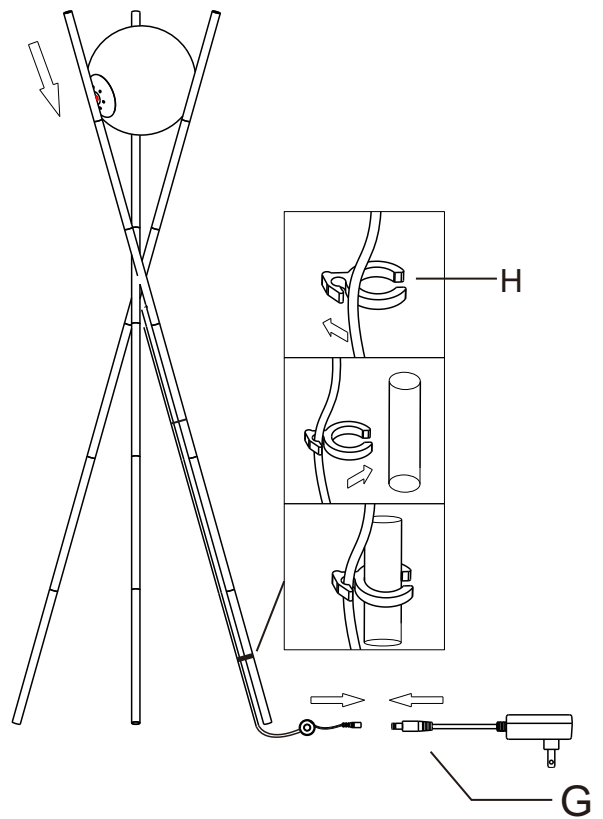
### STEP3

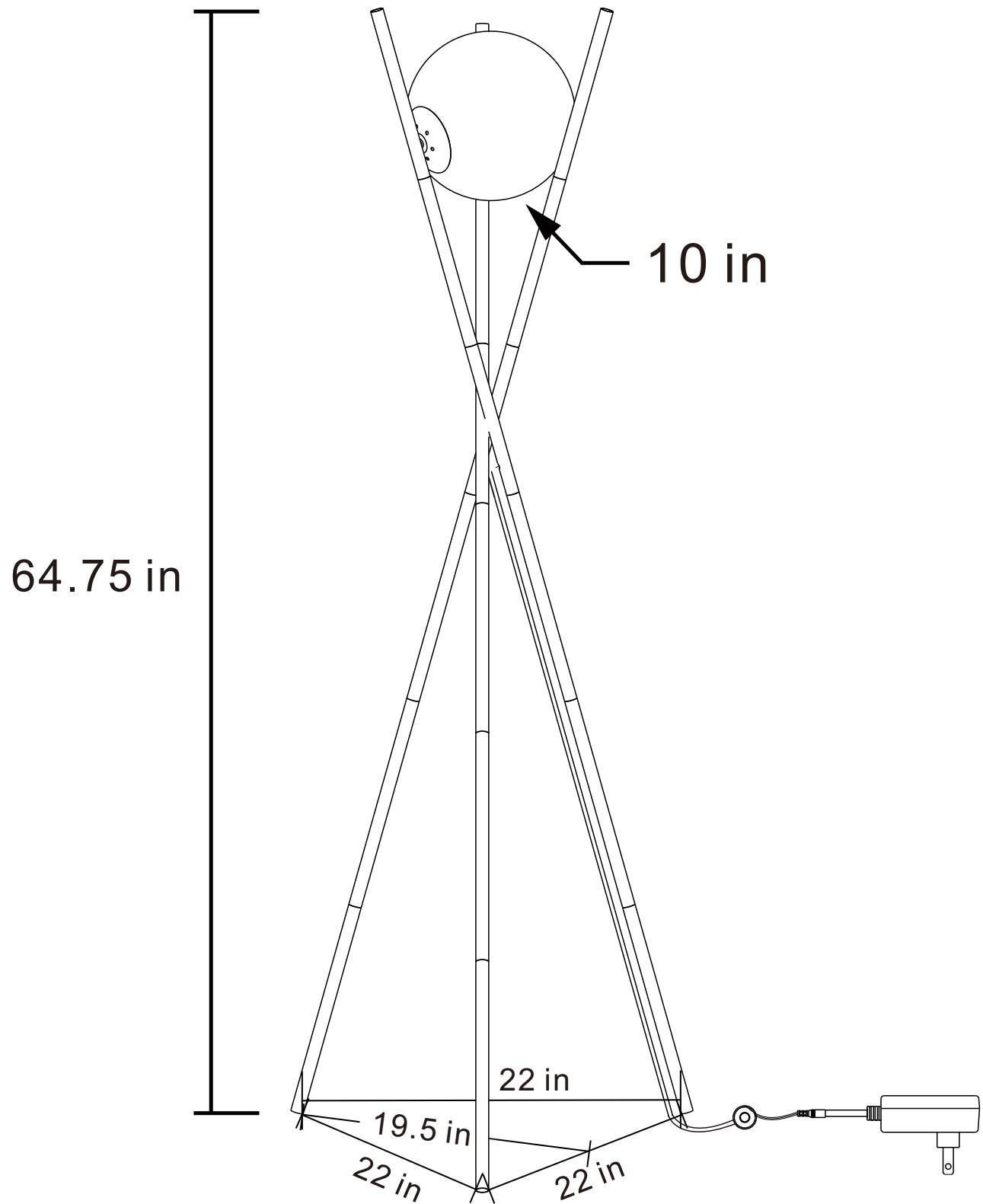


### STEP3



### STEP3





Note : Dimension tolerance  $\pm 5\%$