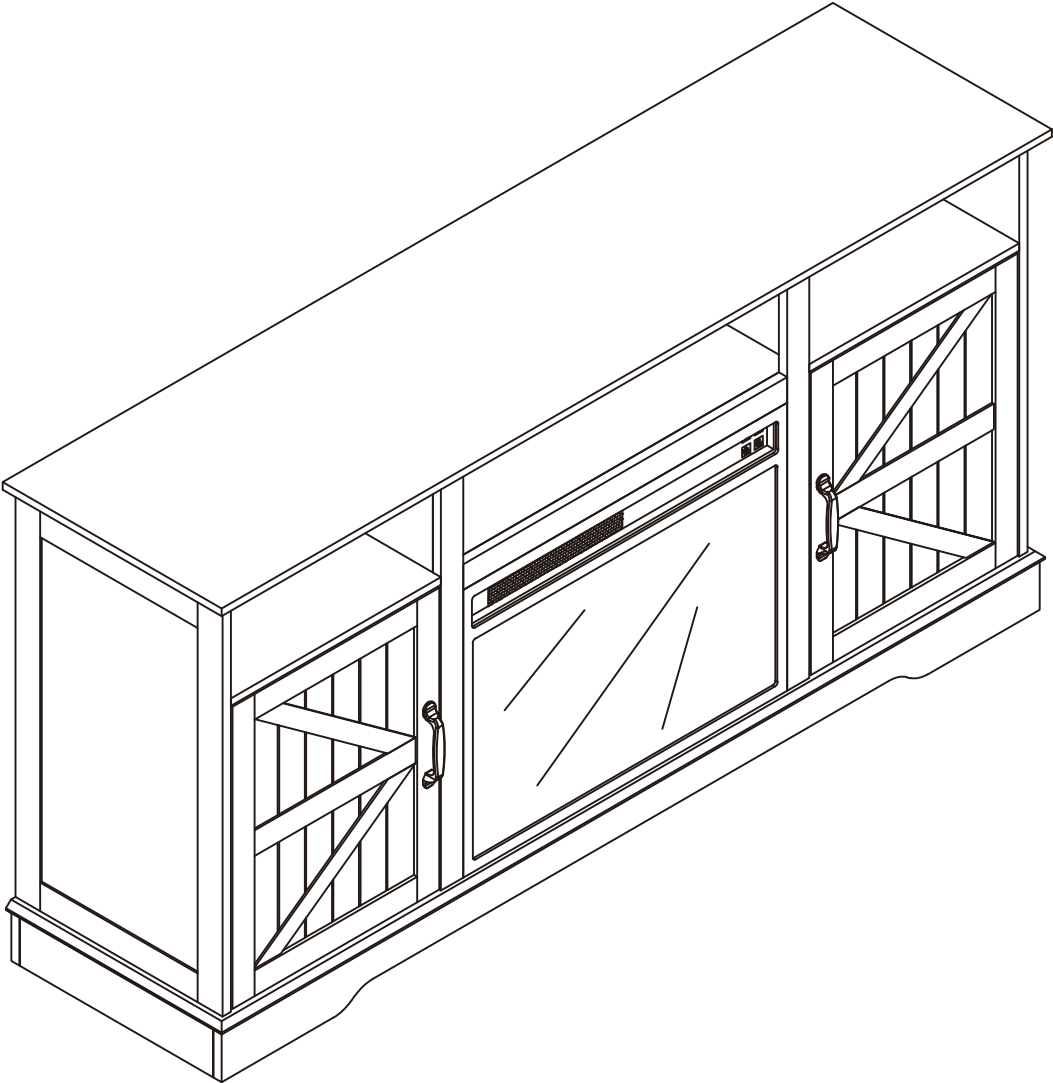
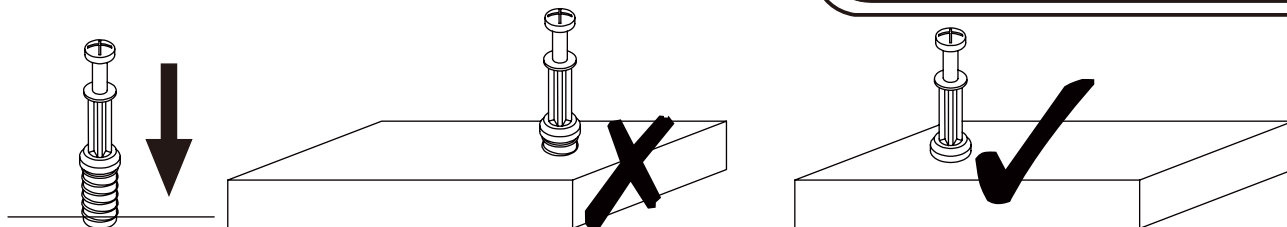


# Installation & Assembly

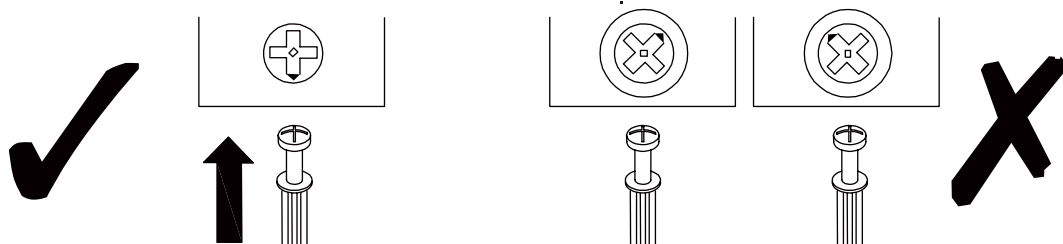
Version:1.0



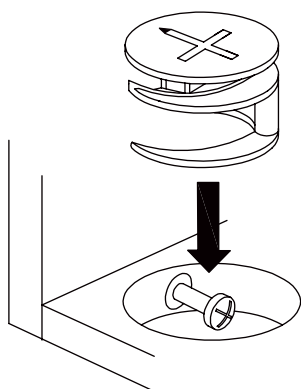
**EN\_IMPORTANT, RETAIN FOR FUTURE REFERENCE: READ CAREFULLY.**



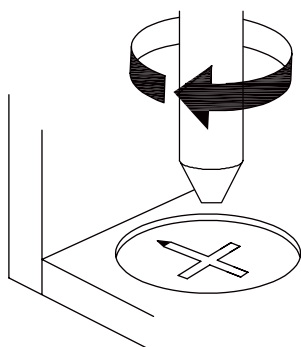
**EN\_QUICKFIT:** Tighten quickfit until shoulder is flush with panel. Do not overtighten or undertighten.



**EN\_CAM LOCK:** When fitting cam lock, ensure starting position is correct before you insert connecting quickfit.

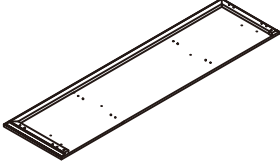
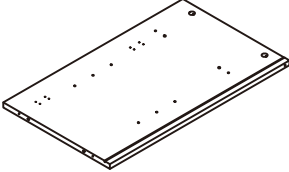
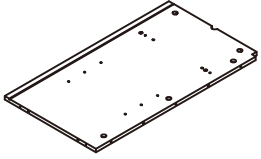
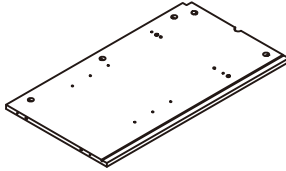
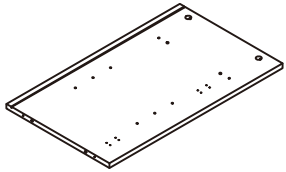
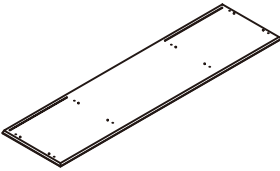
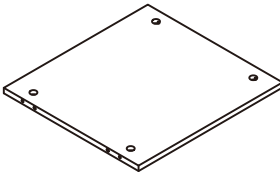
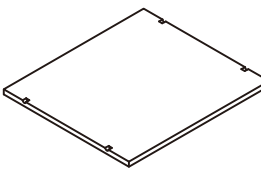
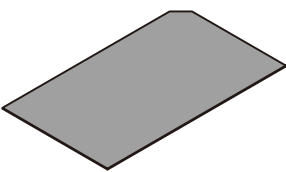
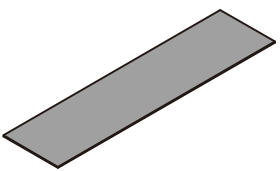


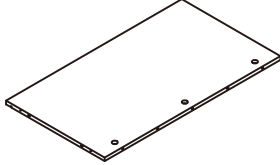
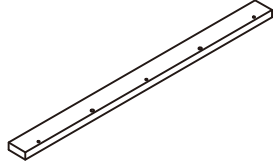
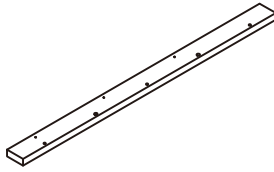
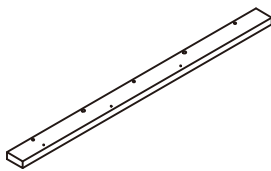
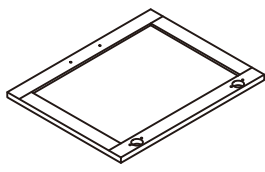
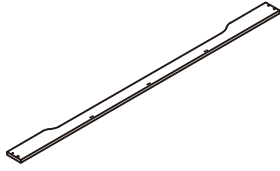
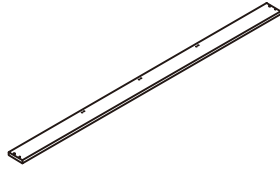
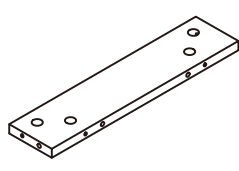

**EN\_Quickfit** head should be in the centre of the cam lock when the two panels are joined.  
Cam lock should be inserted before quickfit.

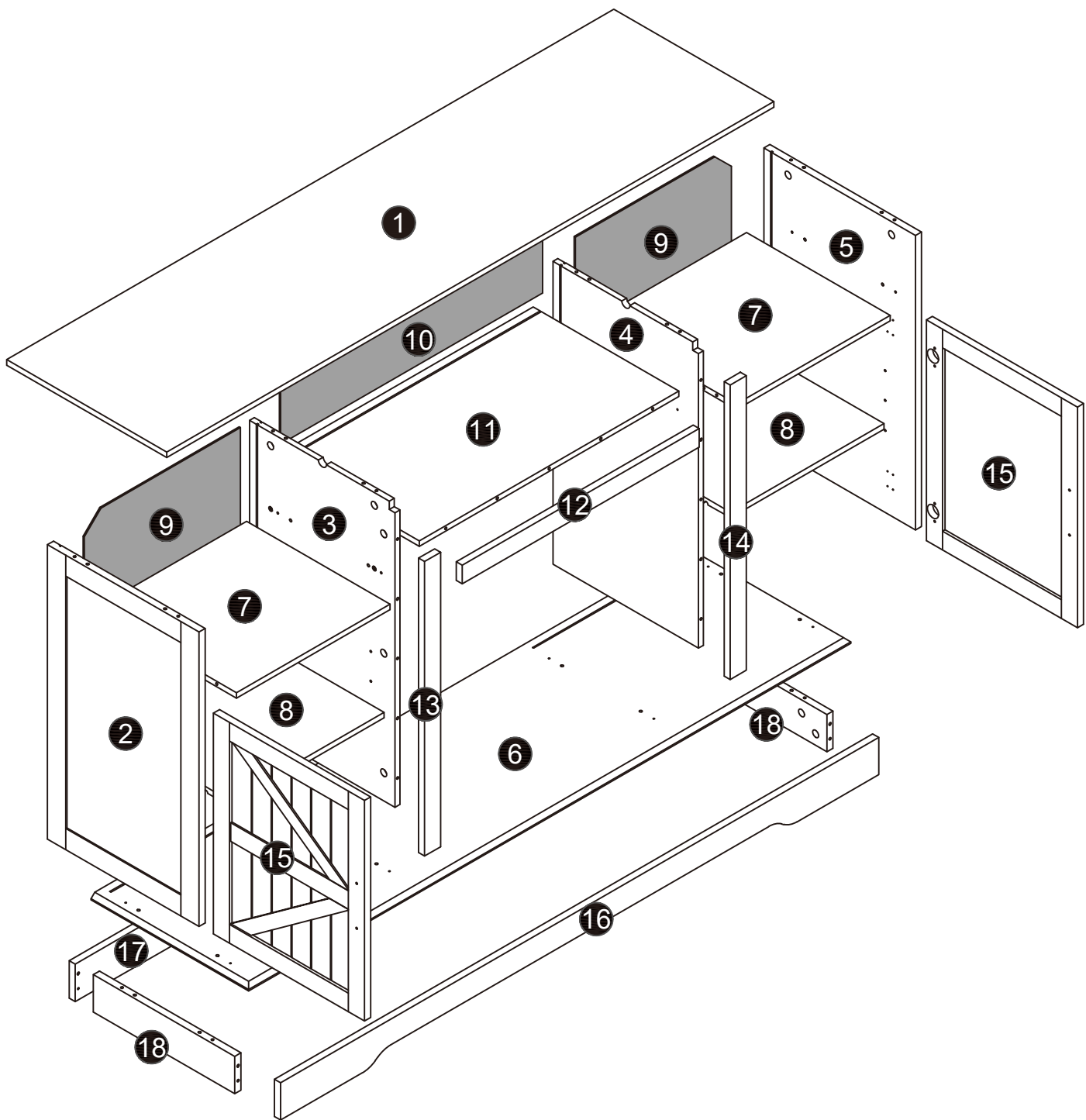


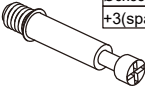

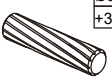
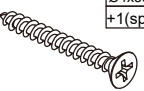
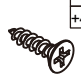








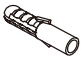










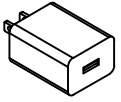
**EN\_Turn** cam lock clockwise to tighten.

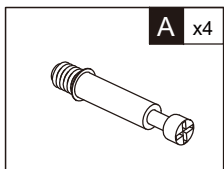
**PACKING DELALS**

NO.		QTY	SPARE
1		x1	
2		x1	
3		x1	
4		x1	
5		x1	
6		x1	
7		x2	
8		x2	
9		x2	
10		x1	

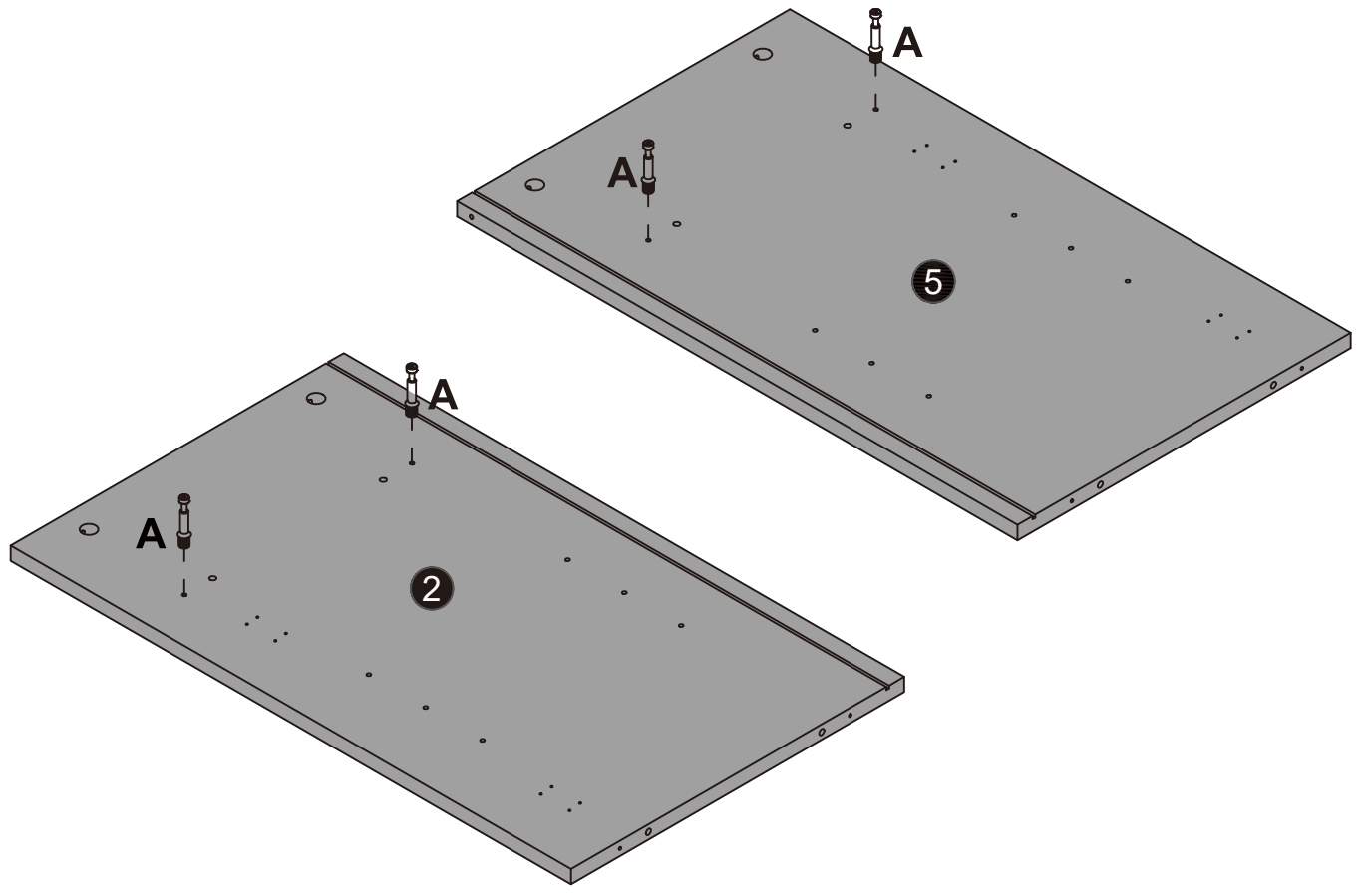
NO.		QTY	SPARE
11		x1	
12		x1	
13		x1	
14		x1	
15		x2	
16		x1	
17		x1	
18		x2	
	 Hardware Kit	x1	



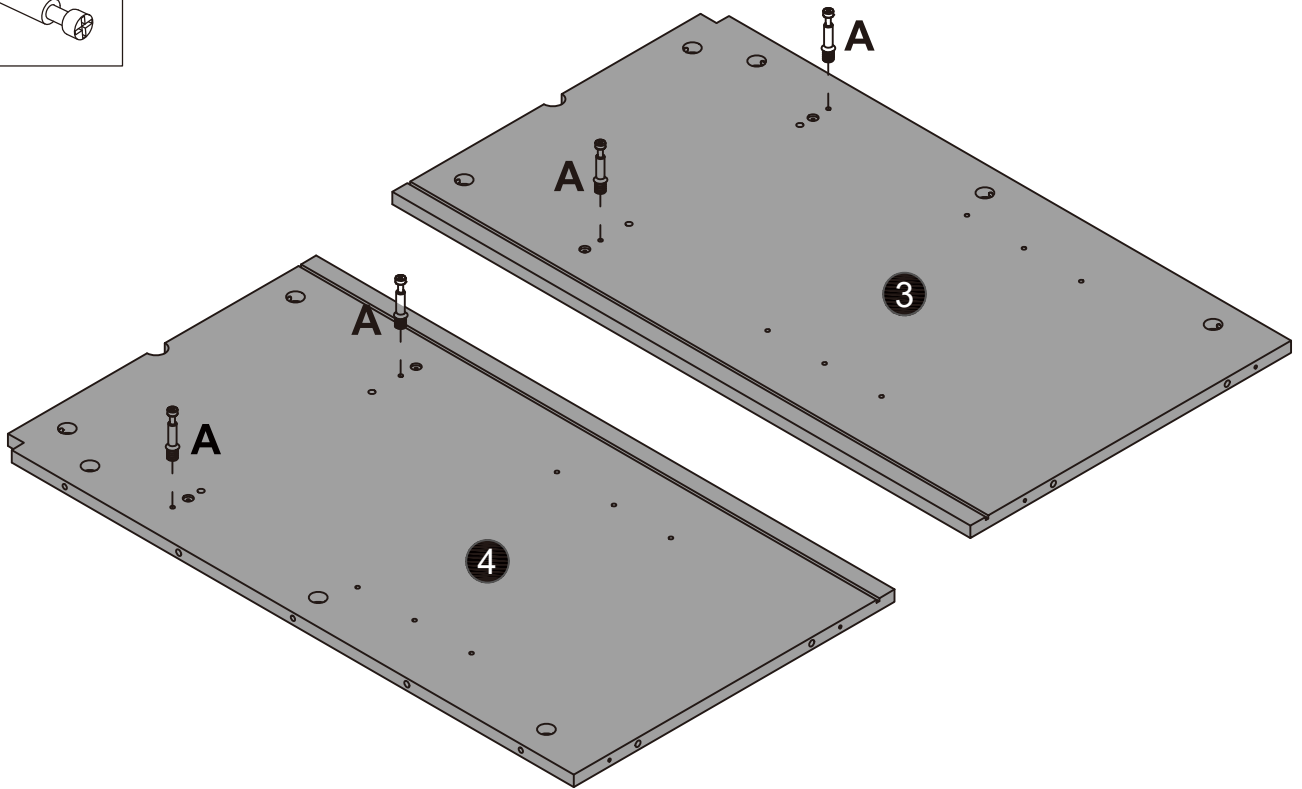
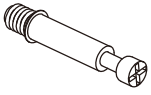
<p><b>A</b> x33 Ø6x35mm +3(spare)</p> 	<p><b>B</b> x33 Ø15x10mm +3(spare)</p> 	<p><b>C</b> x42 Ø6x30mm +3(spare)</p> 	<p><b>D</b> x14 Ø4x35mm +1(spare)</p> 	<p><b>E</b> x48 Ø3.5x12mm +4(spare)</p> 	<p><b>F</b> x2</p>   <p>F-1 F-2</p>
<p><b>G</b> x4</p> 	<p><b>H</b> x6</p> 	<p><b>I</b> x2</p>   <p>I-1 I-2</p>	<p><b>J</b> x12 +1(spare)</p>   <p>J-1 J-2</p>	<p><b>K</b> x2</p> 	<p><b>L</b> x8</p> 
<p><b>M</b> x4</p>   <p>M-1 M-2</p>	<p><b>N</b> x1</p>   <p>N-1 N-2</p>	<p><b>O</b> x1</p> 	<p><b>P</b> x22 +2(spare)</p> 	<p><b>Q</b> x1</p>    <p>Q-1 Q-2 Q-3</p>	
<p><b>R</b> x1</p> 					



**01**



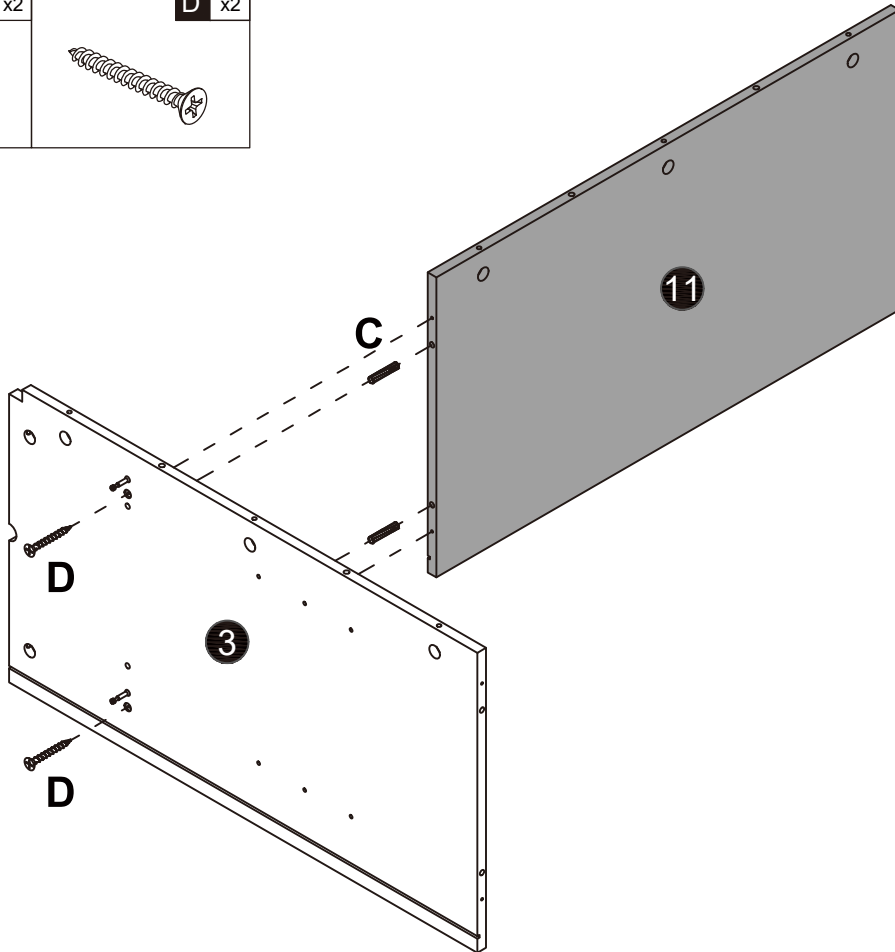
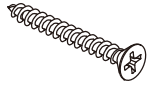
A x4



C x2

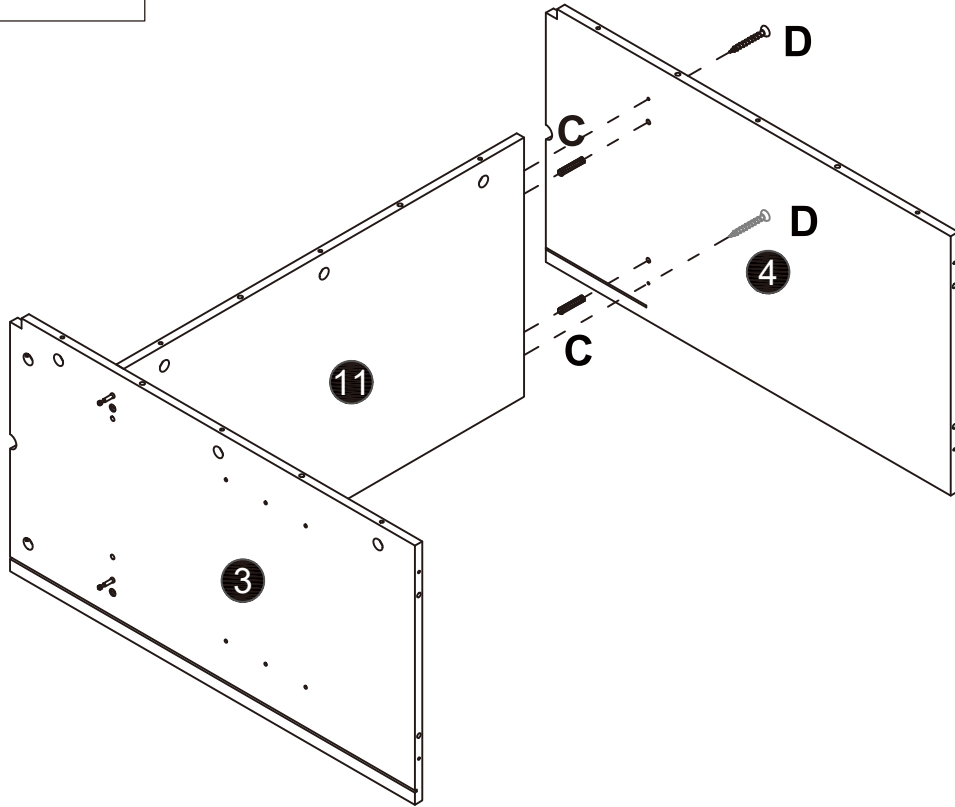
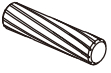


D x2



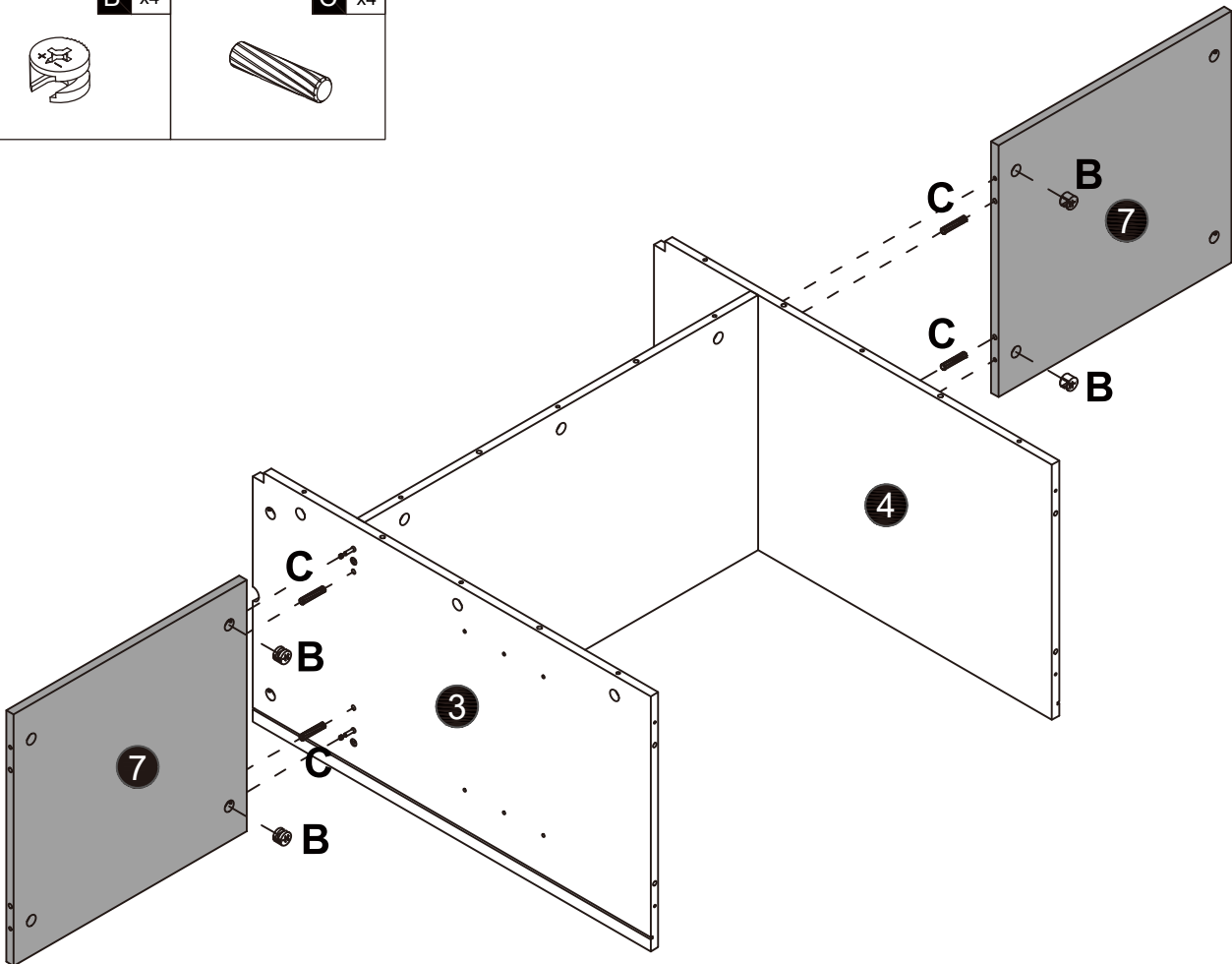
C x2

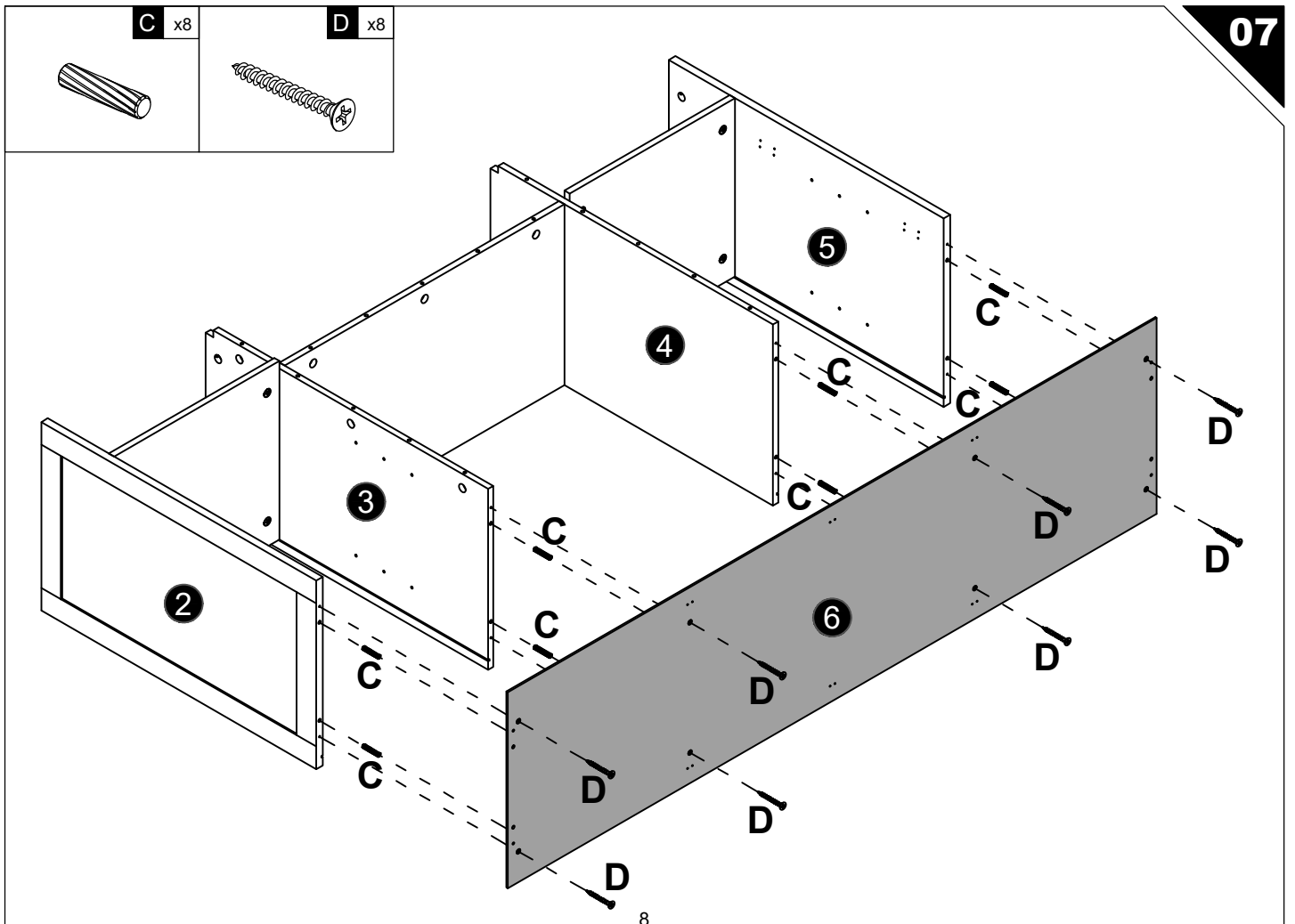
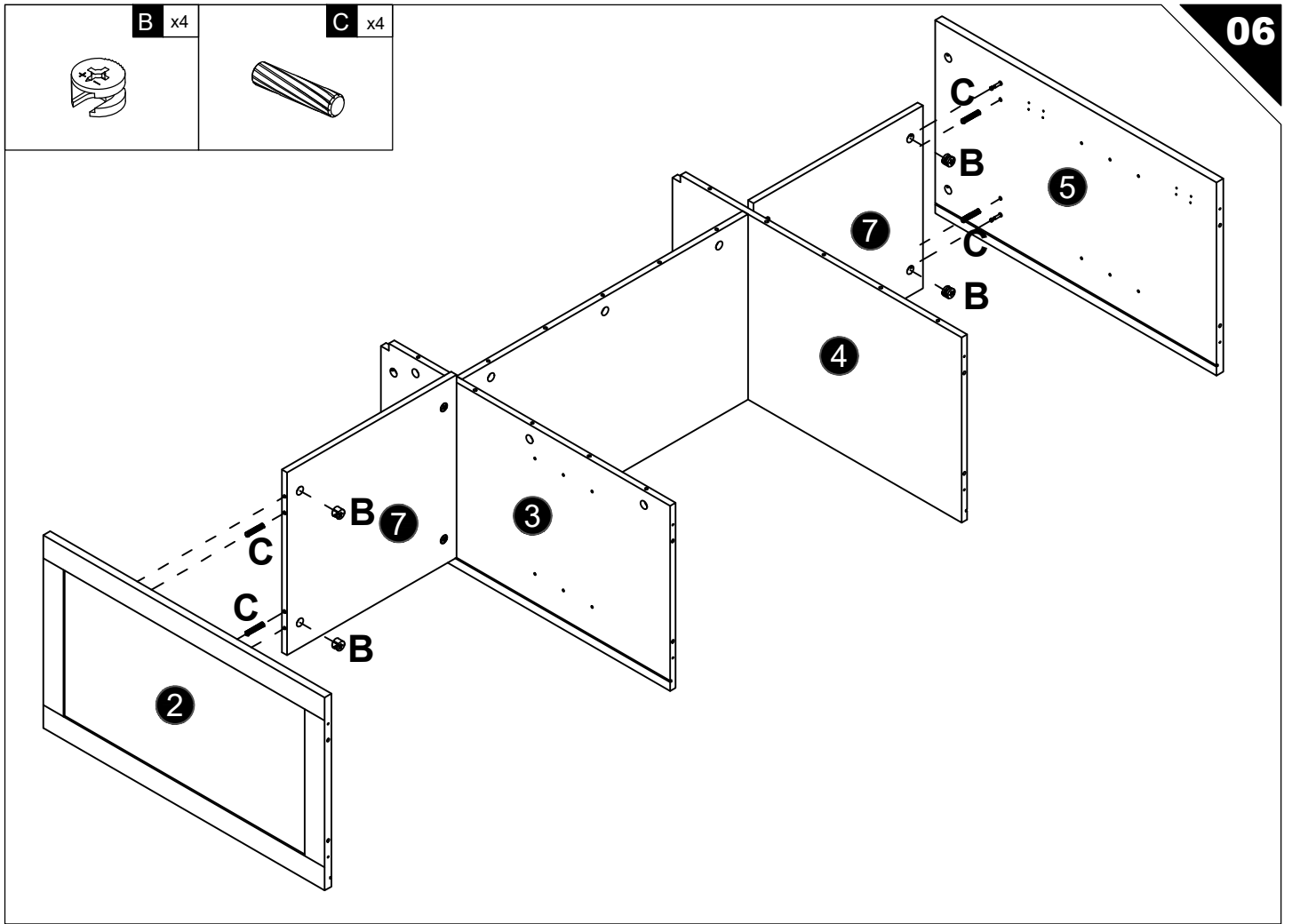
D x2



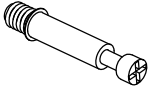
B x4

C x4

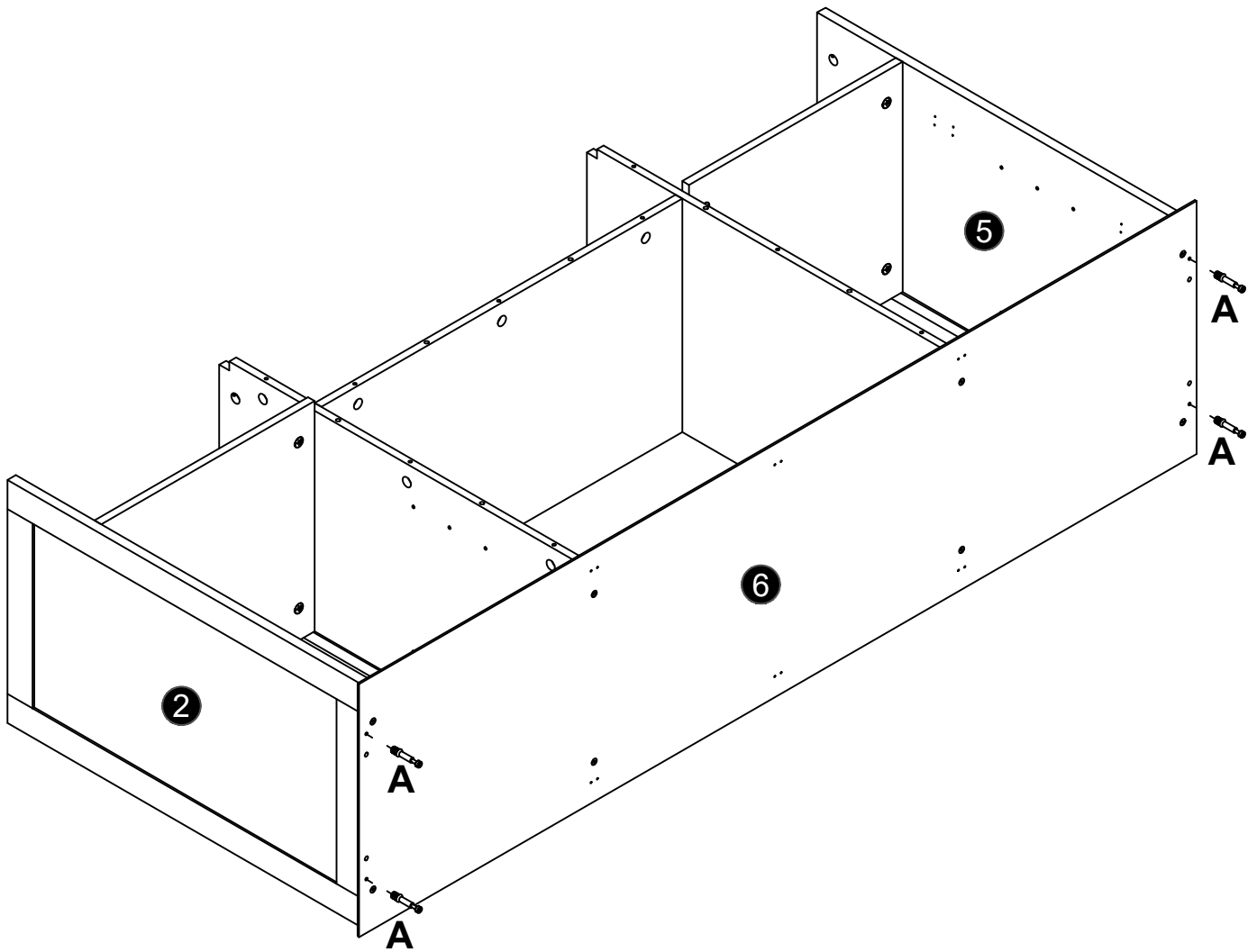




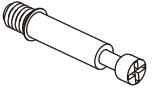
A x4



08



A x4



B x4



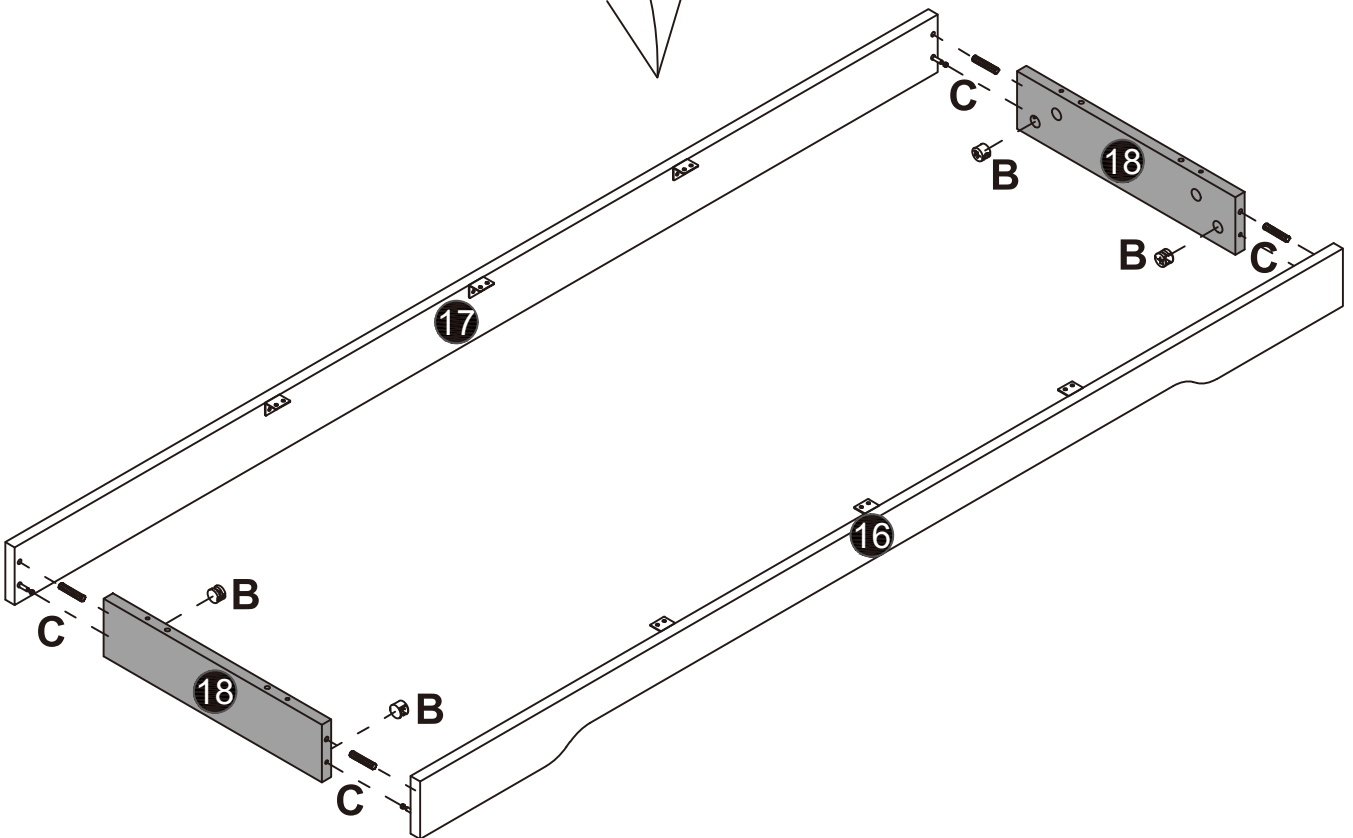
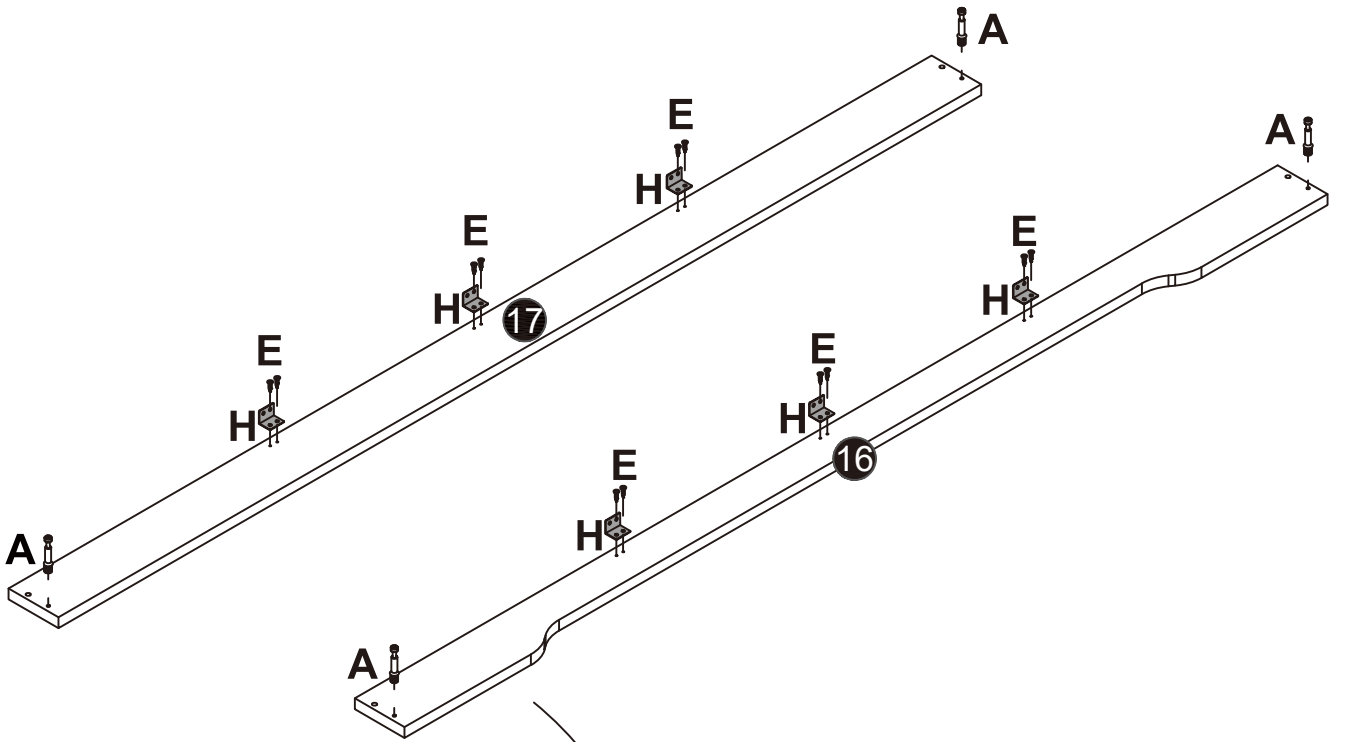
C x4



E x12



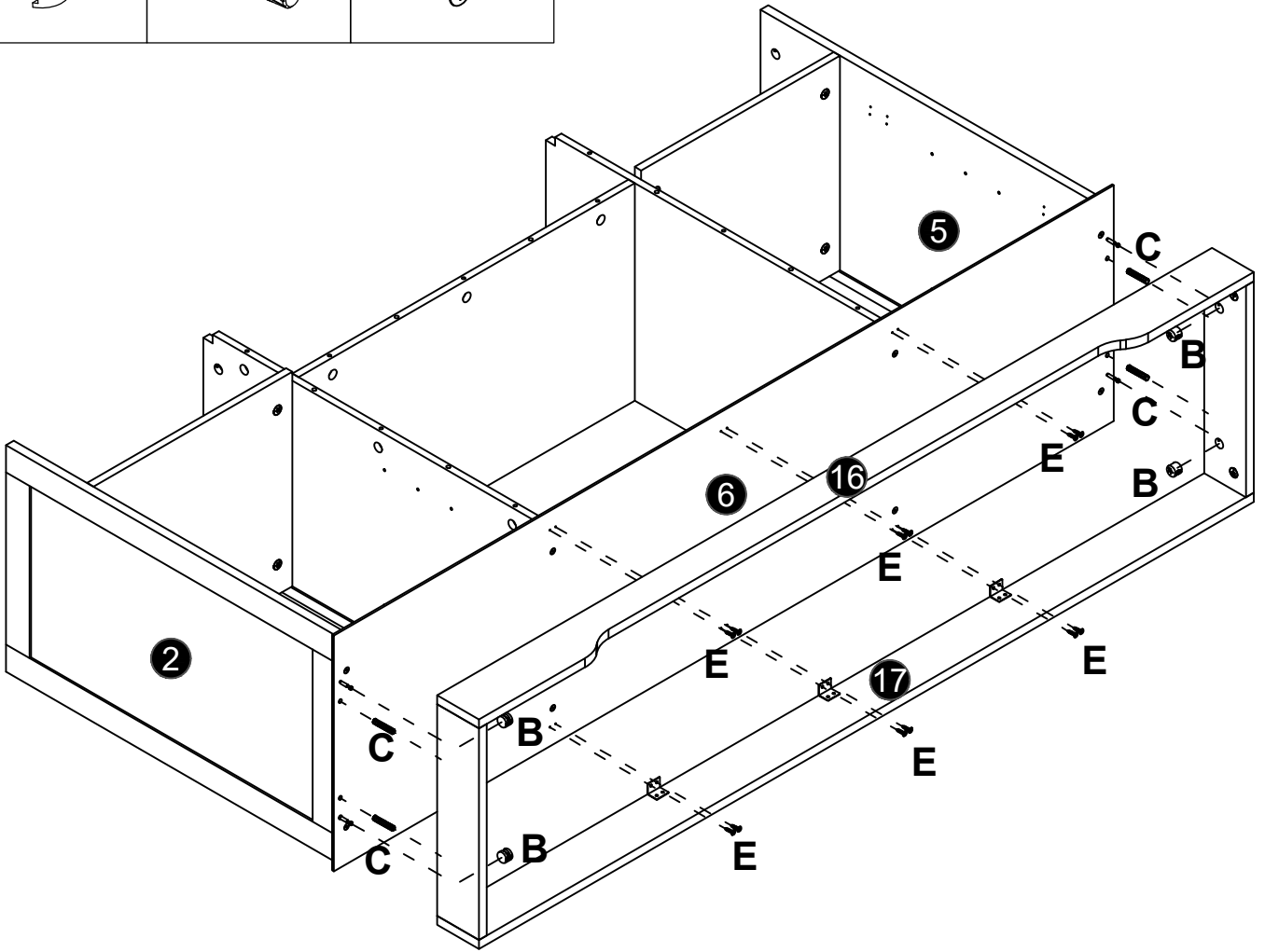
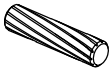
H x6



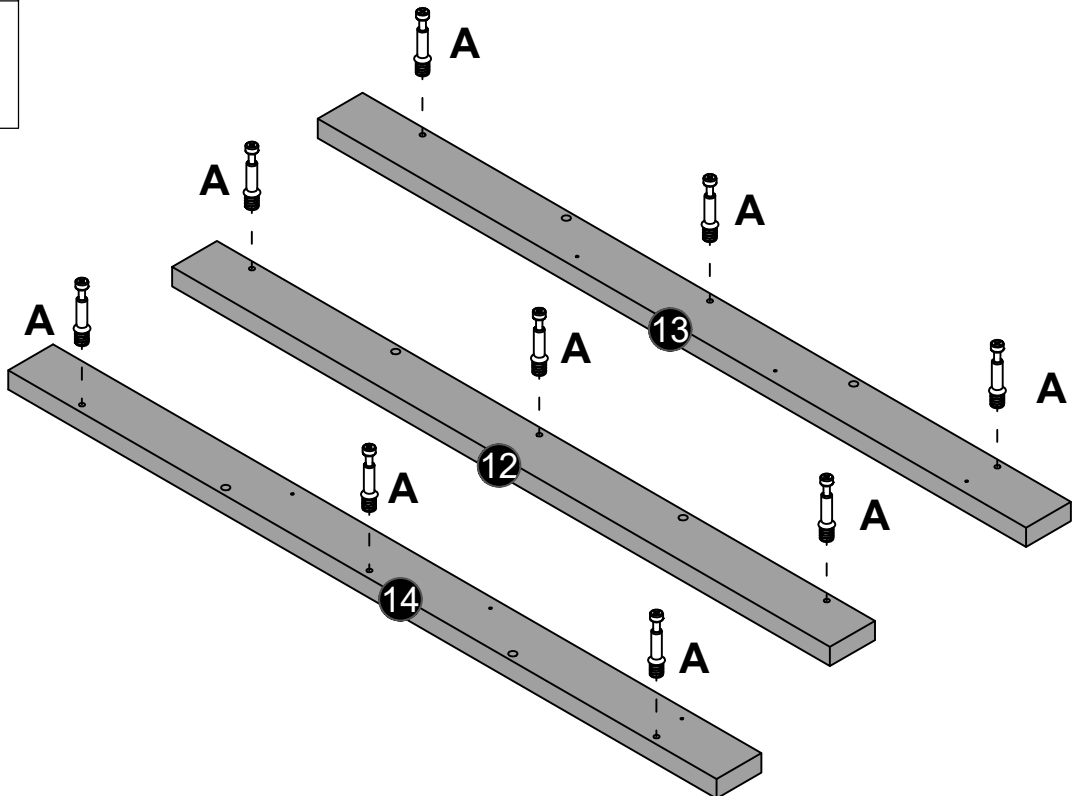
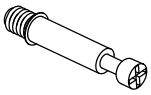
B x4

C x4

E x12

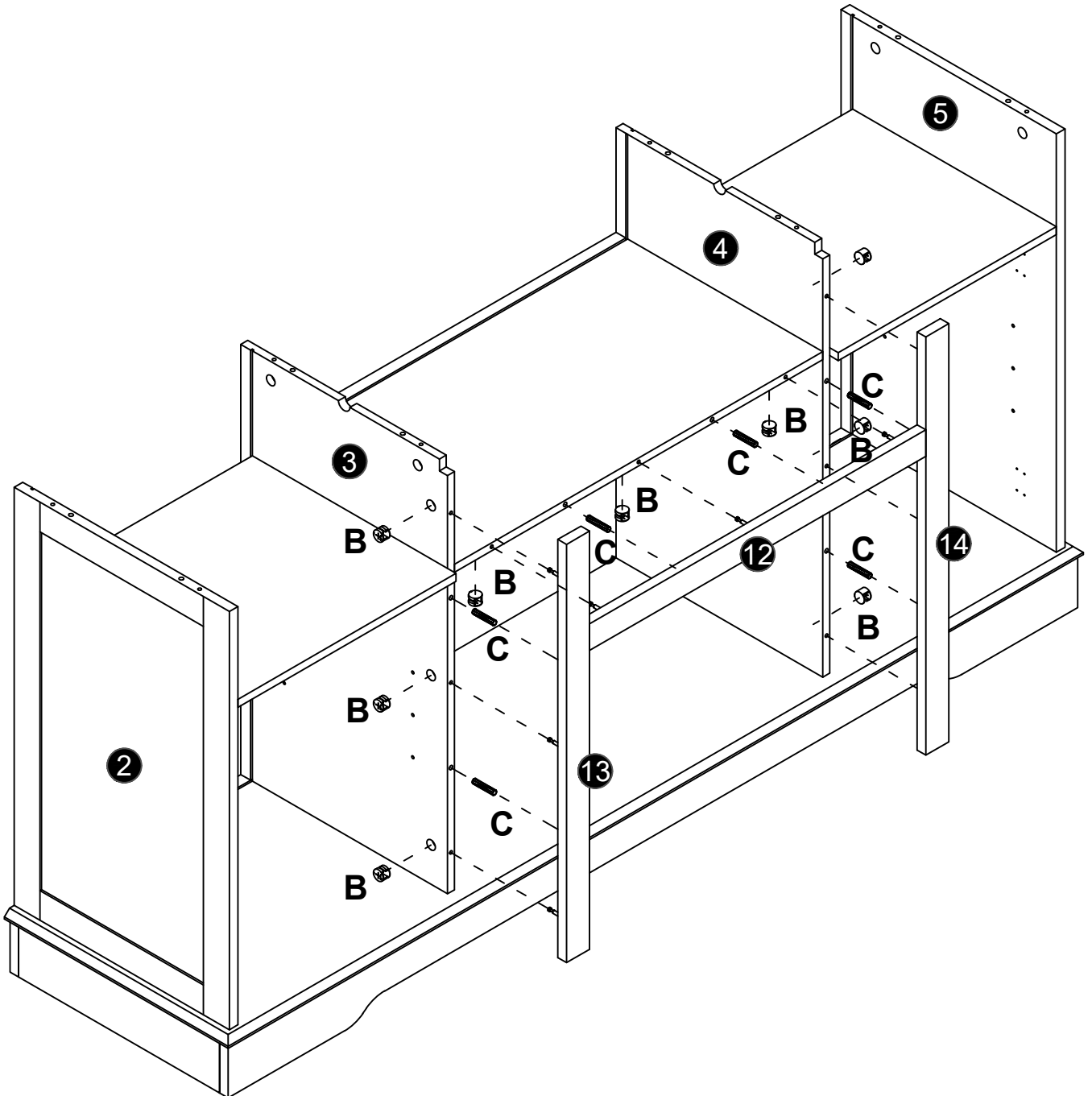
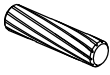


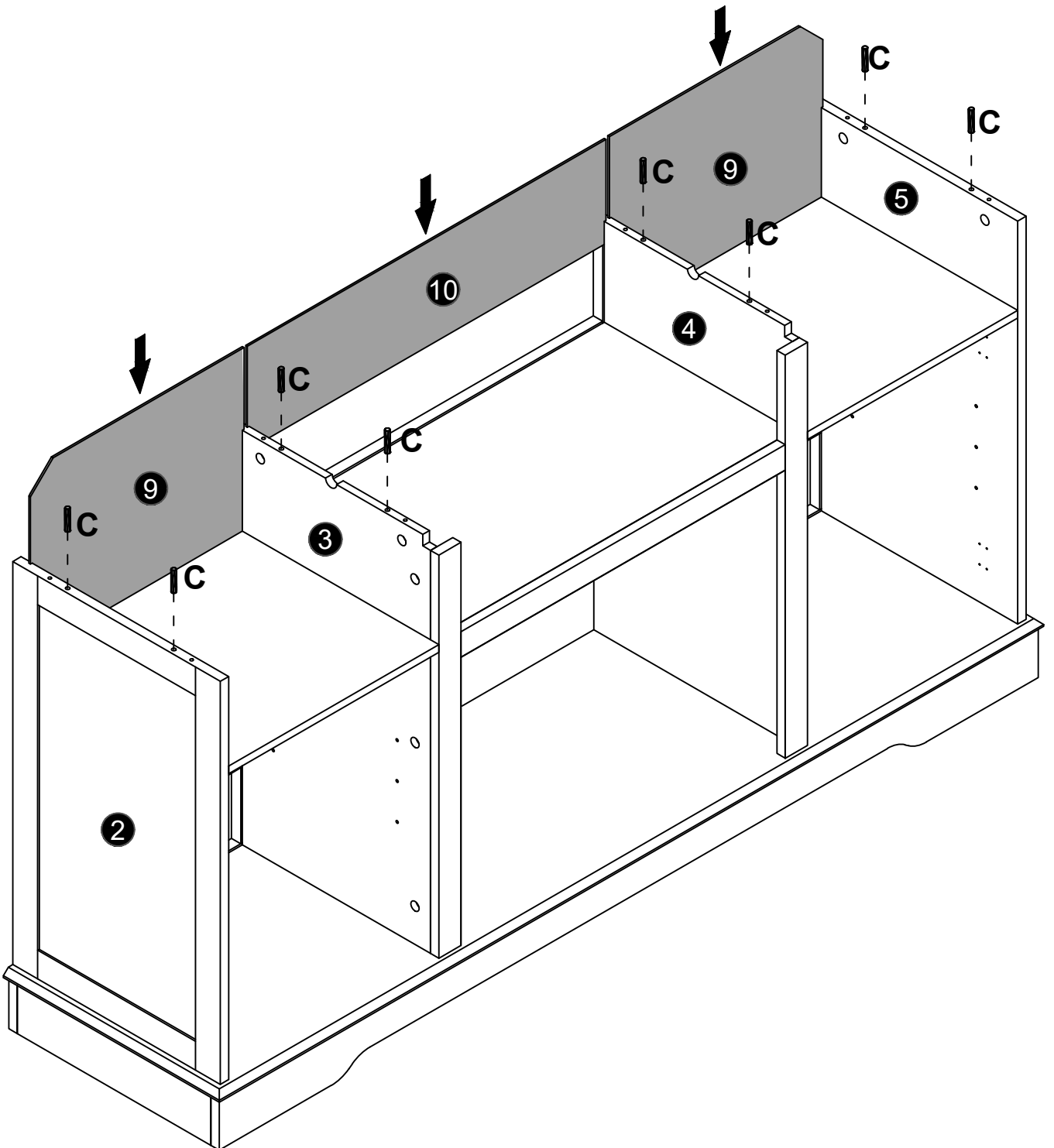
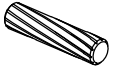
A x9



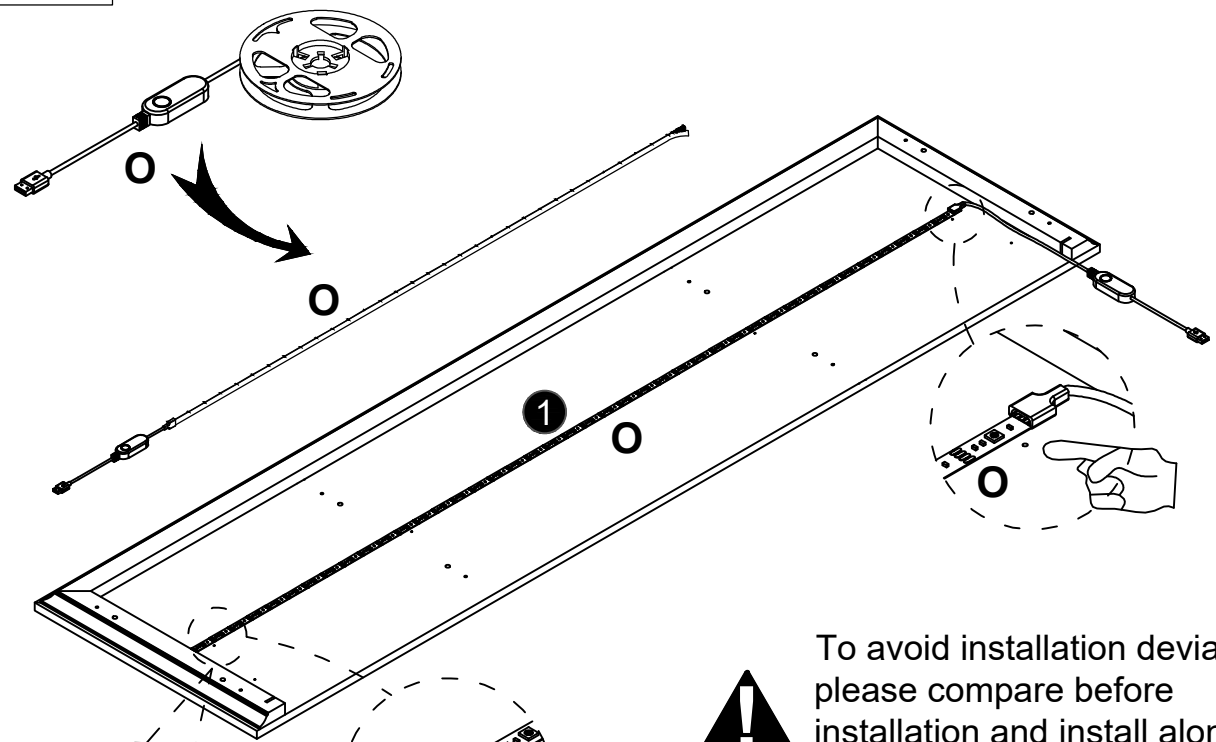
B x9

C x6

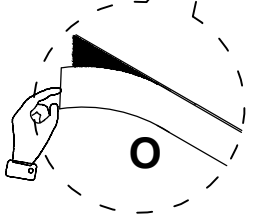




○ x1

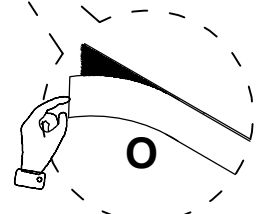
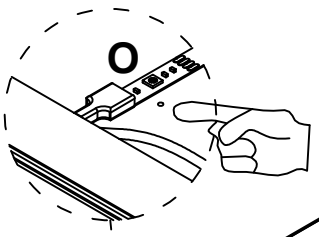
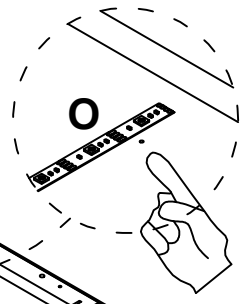
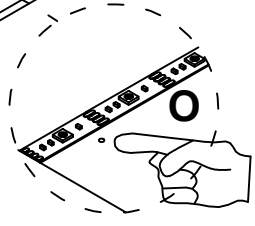


To avoid installation deviation, please compare before installation and install along the positioning holes.

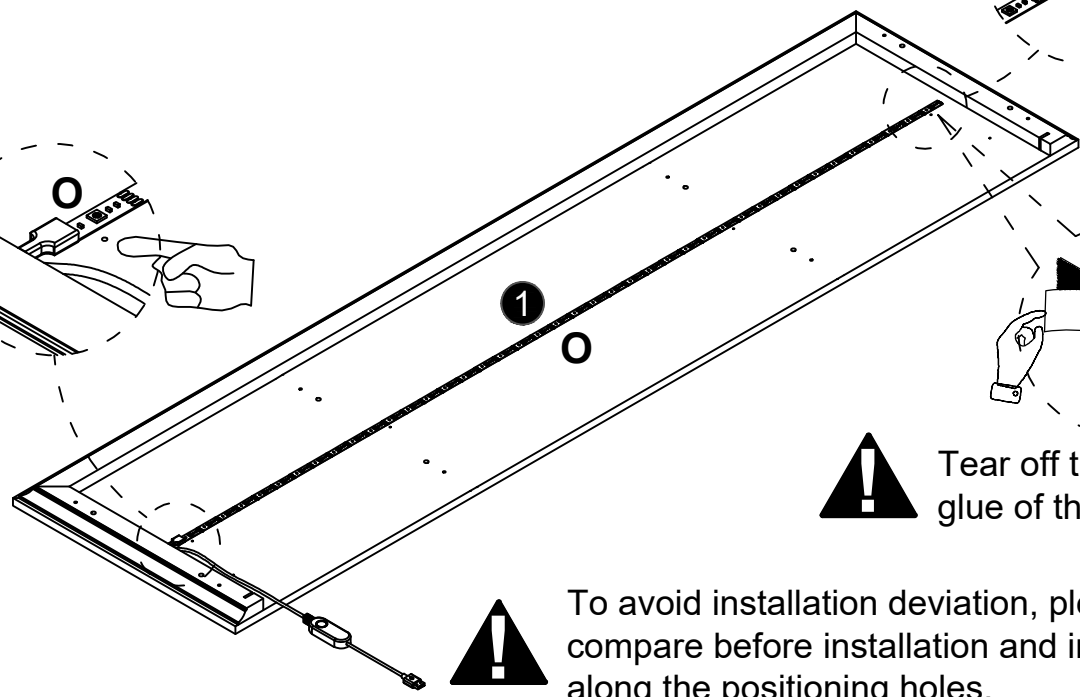


Tear off the back glue of the light strip.

OR



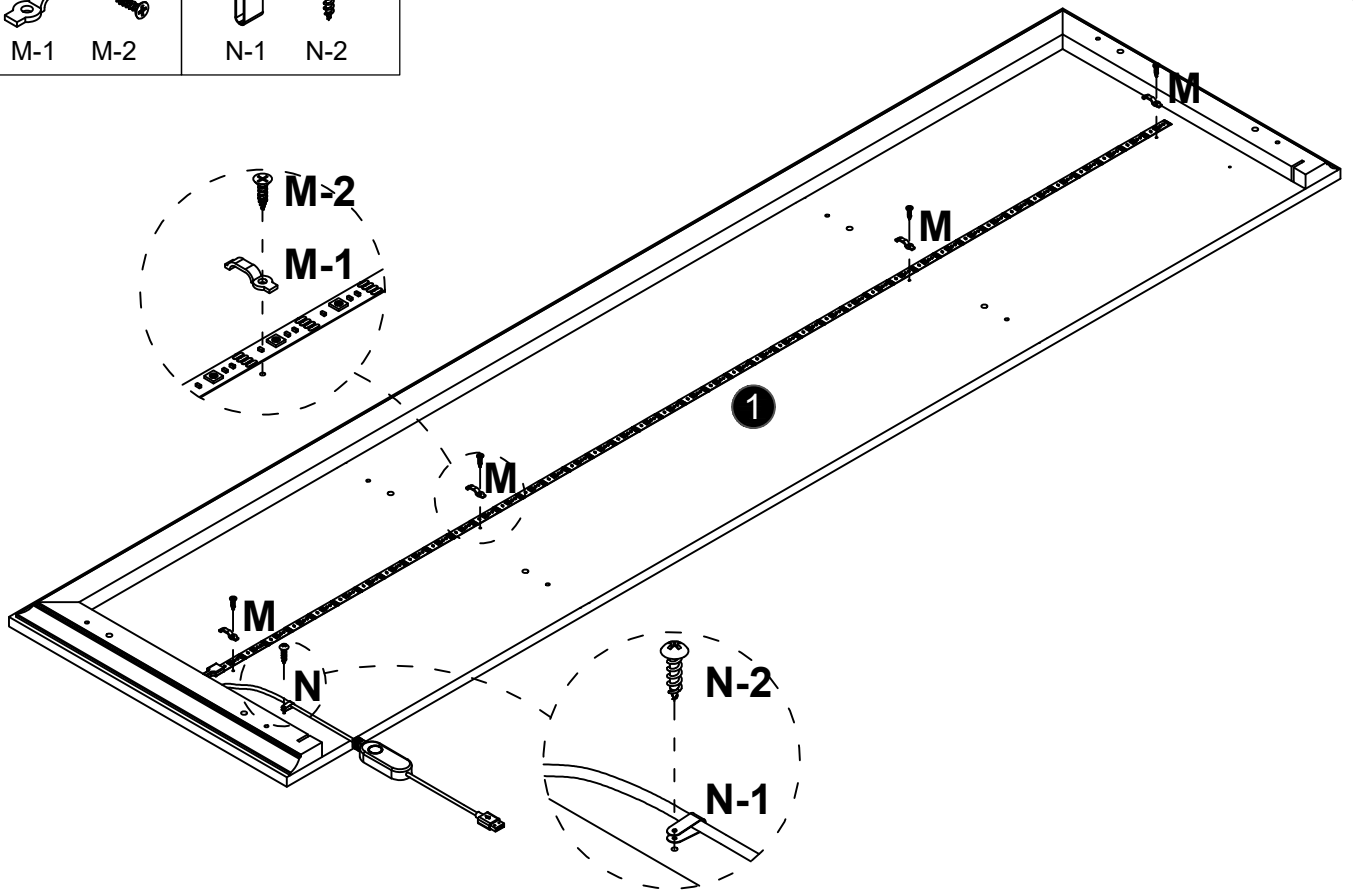
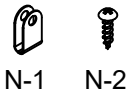
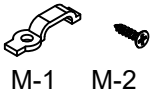
Tear off the back glue of the light strip.



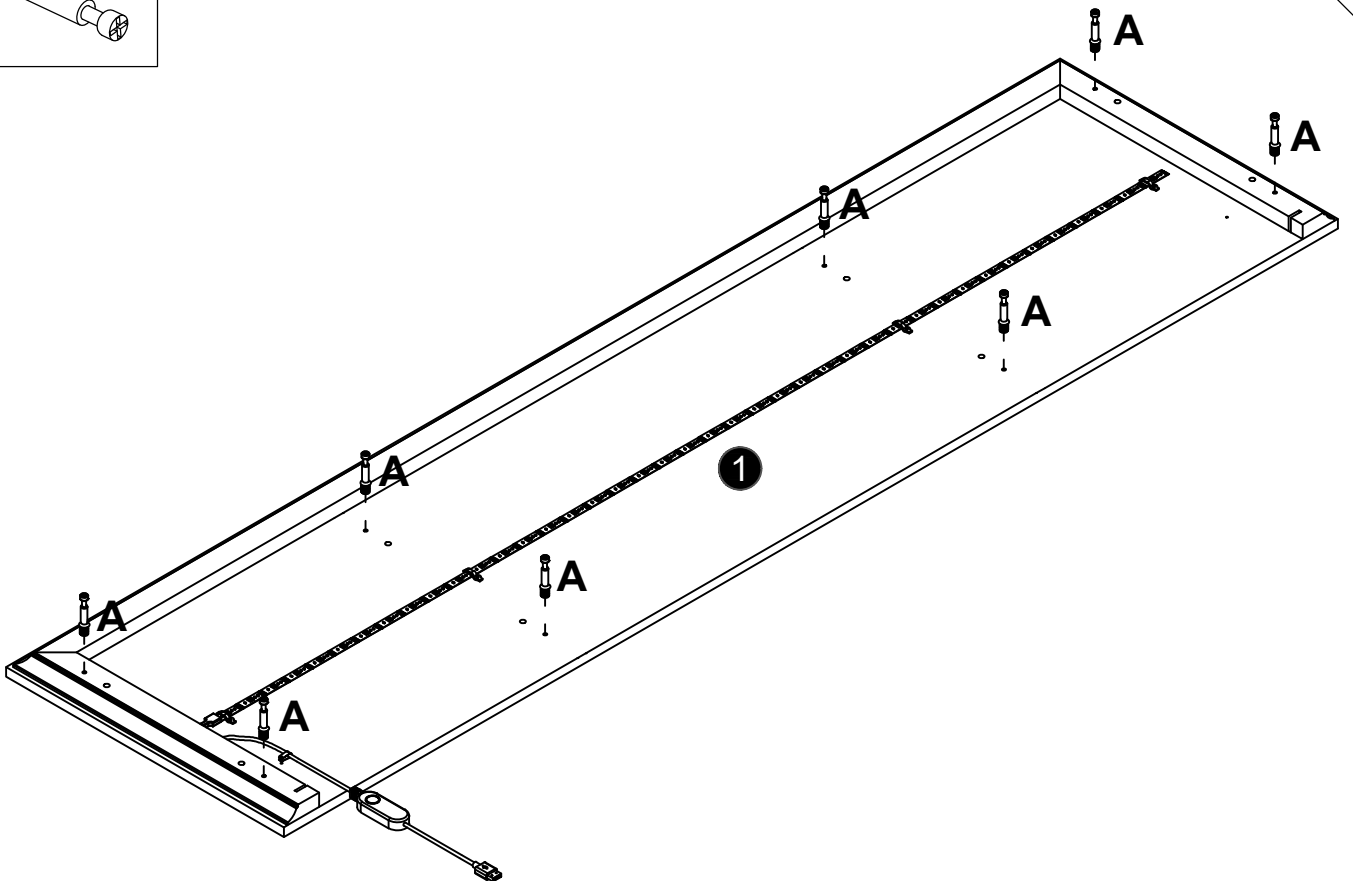
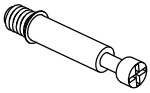
To avoid installation deviation, please compare before installation and install along the positioning holes.

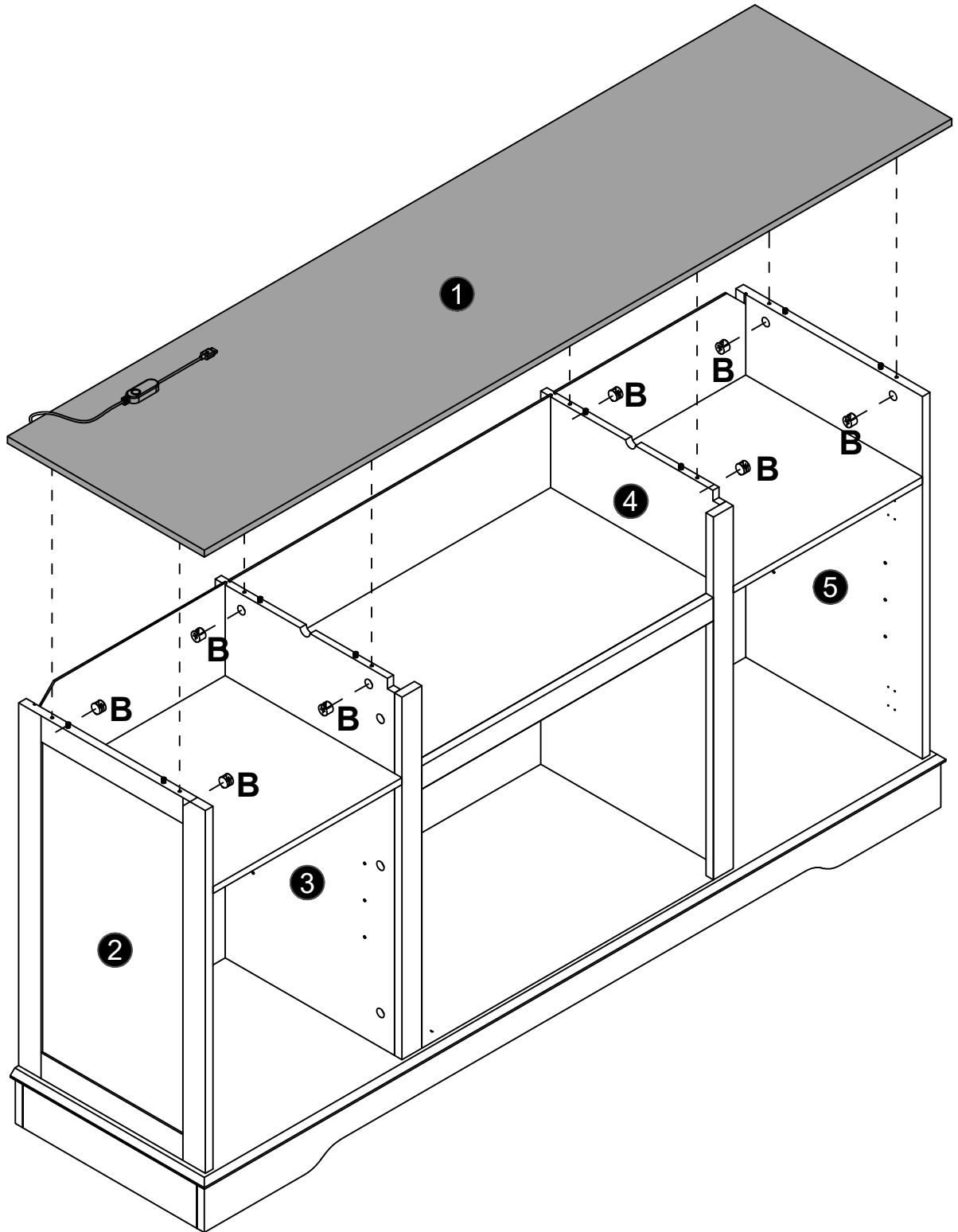
M x4

N x1

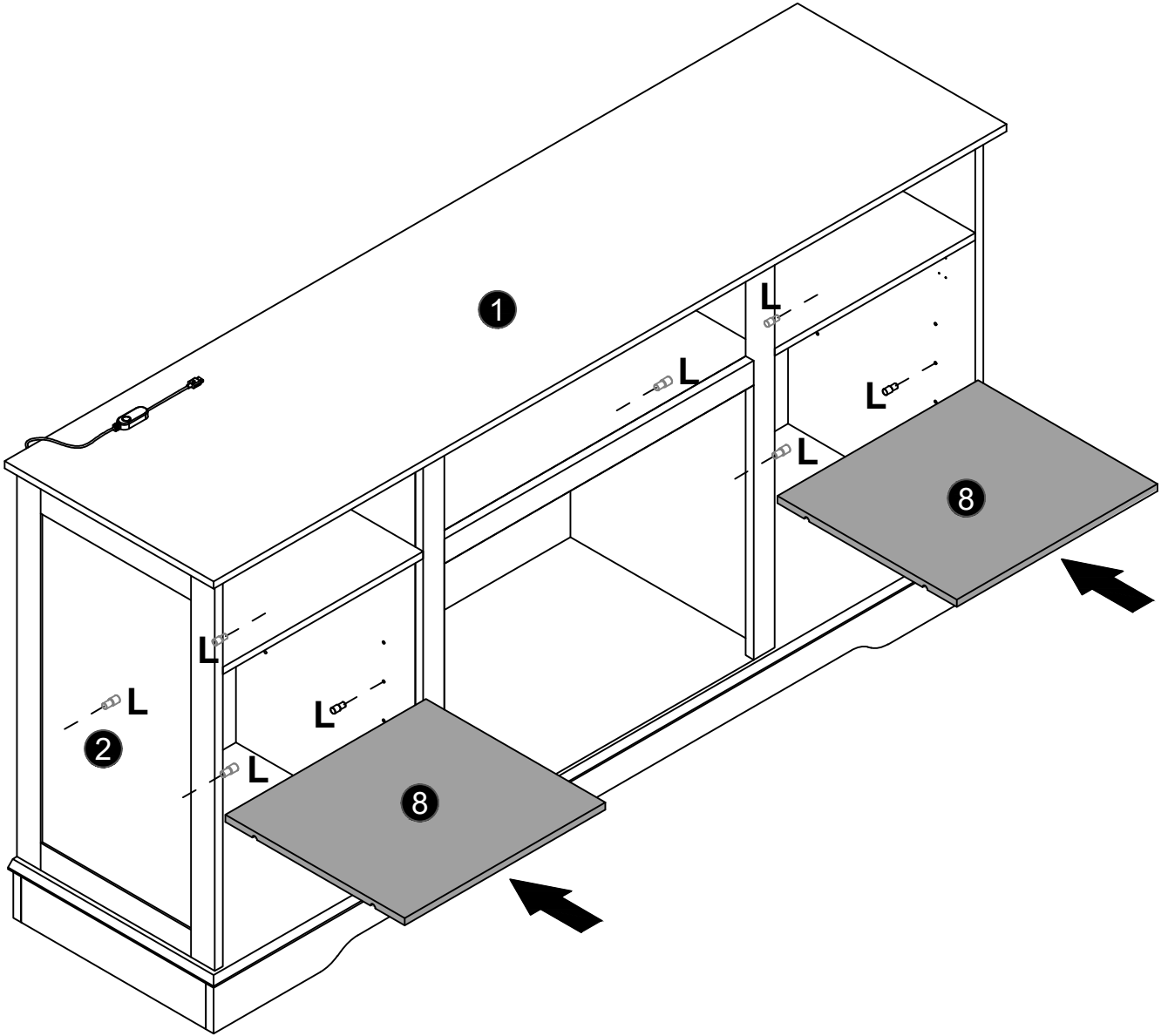


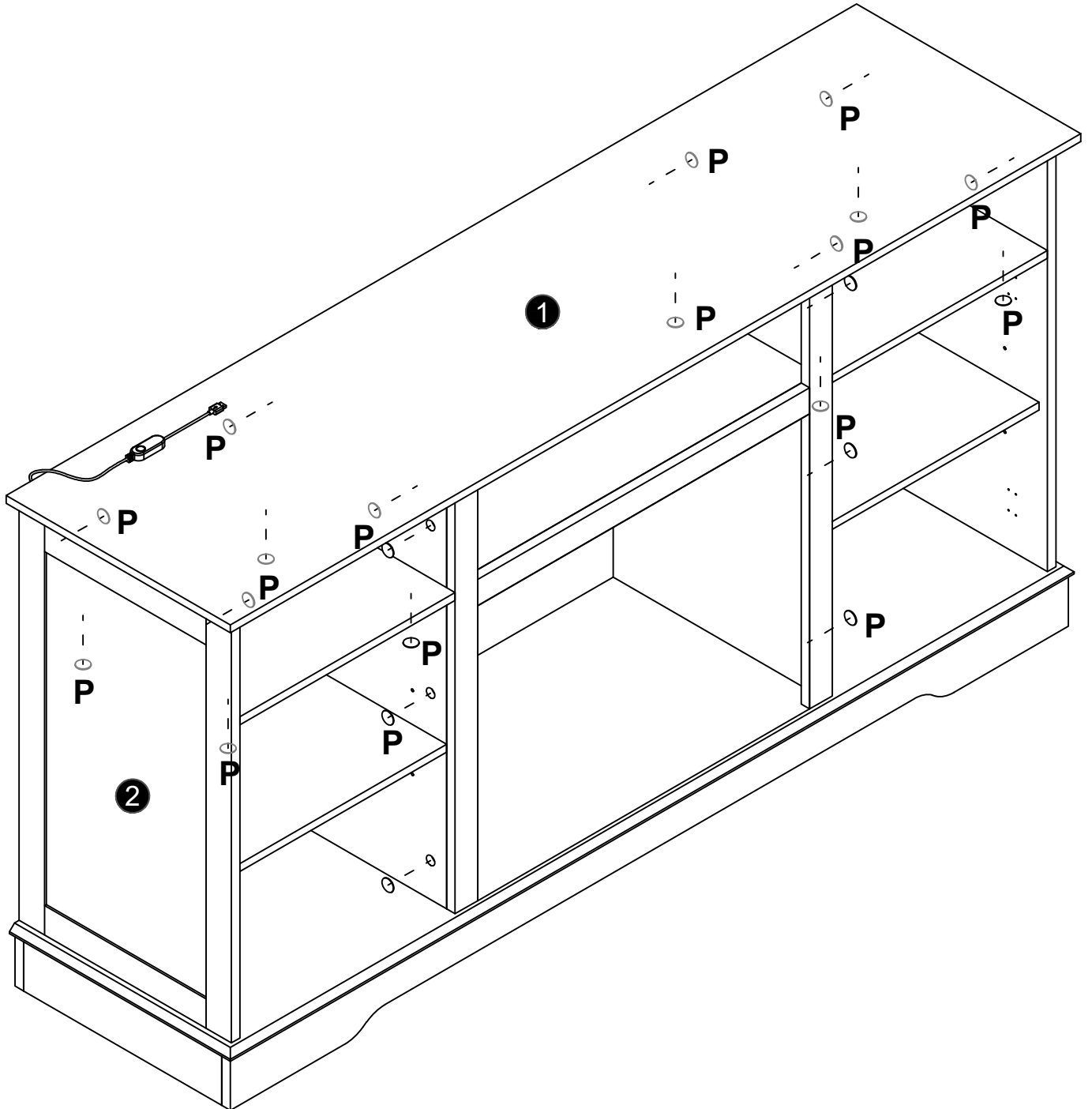
A x8





L x8

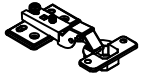




E x24

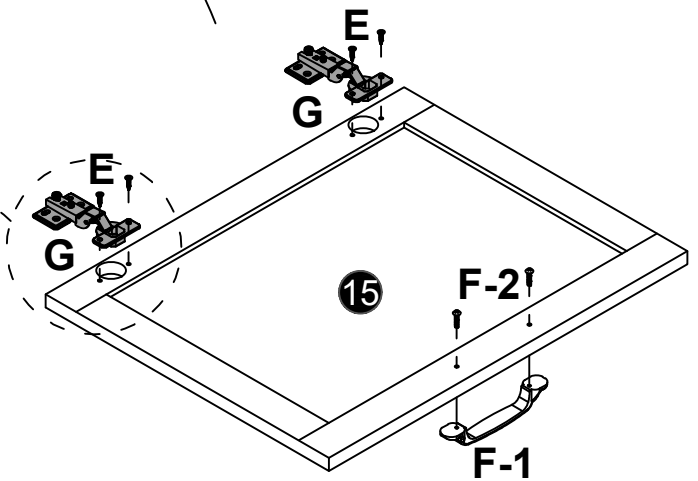
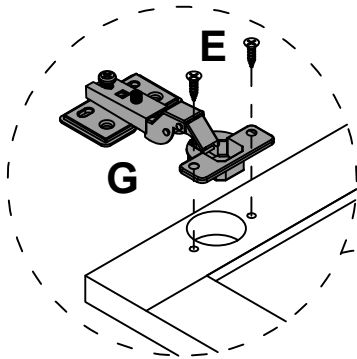
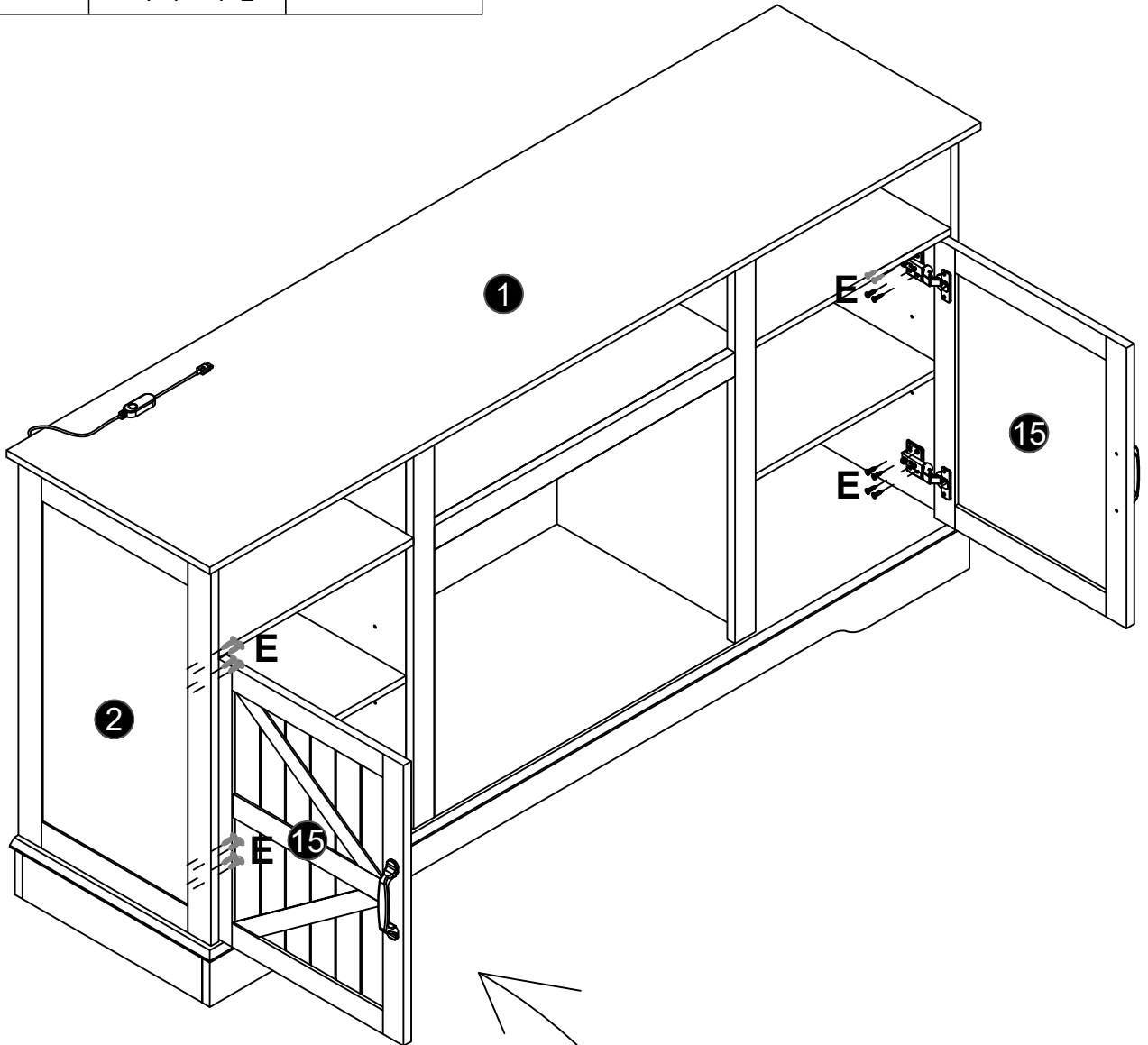
F x2

G x4

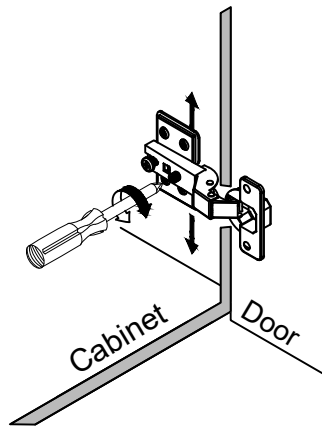
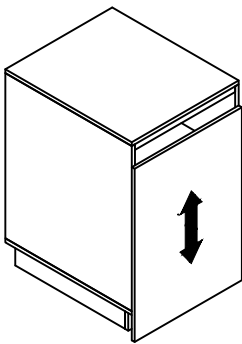
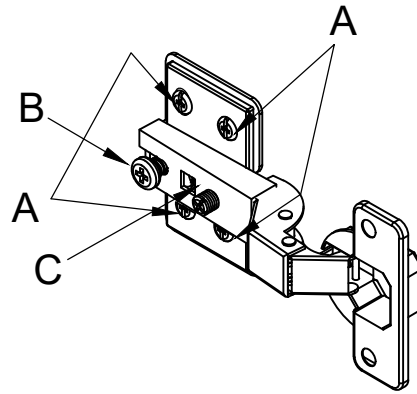


F-1

F-2

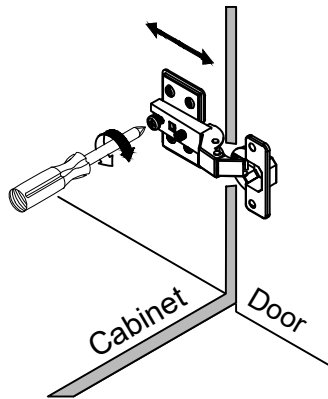
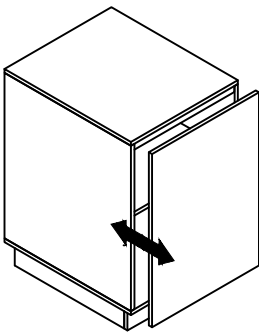


x2



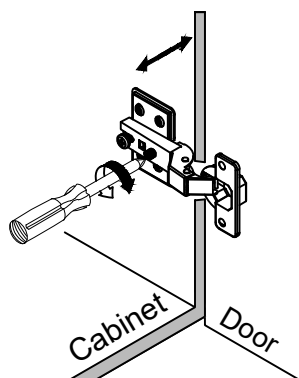
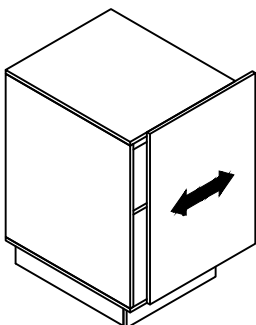
#### To adjust the vertical height.

Loosen the four screws "A" on both hinges. Two of them are usually in slotted holes which allows you to adjust up or down by a few mm. Then tighten back up.



#### To adjust depth.

Loosen screw "B" and adjust door, if the door can not be adjusted, please loosen screw "C", then try again. Tighten screw "B" and "C".



#### To adjust side ways.

Turning the screw "C" on BOTH hinges on each door.



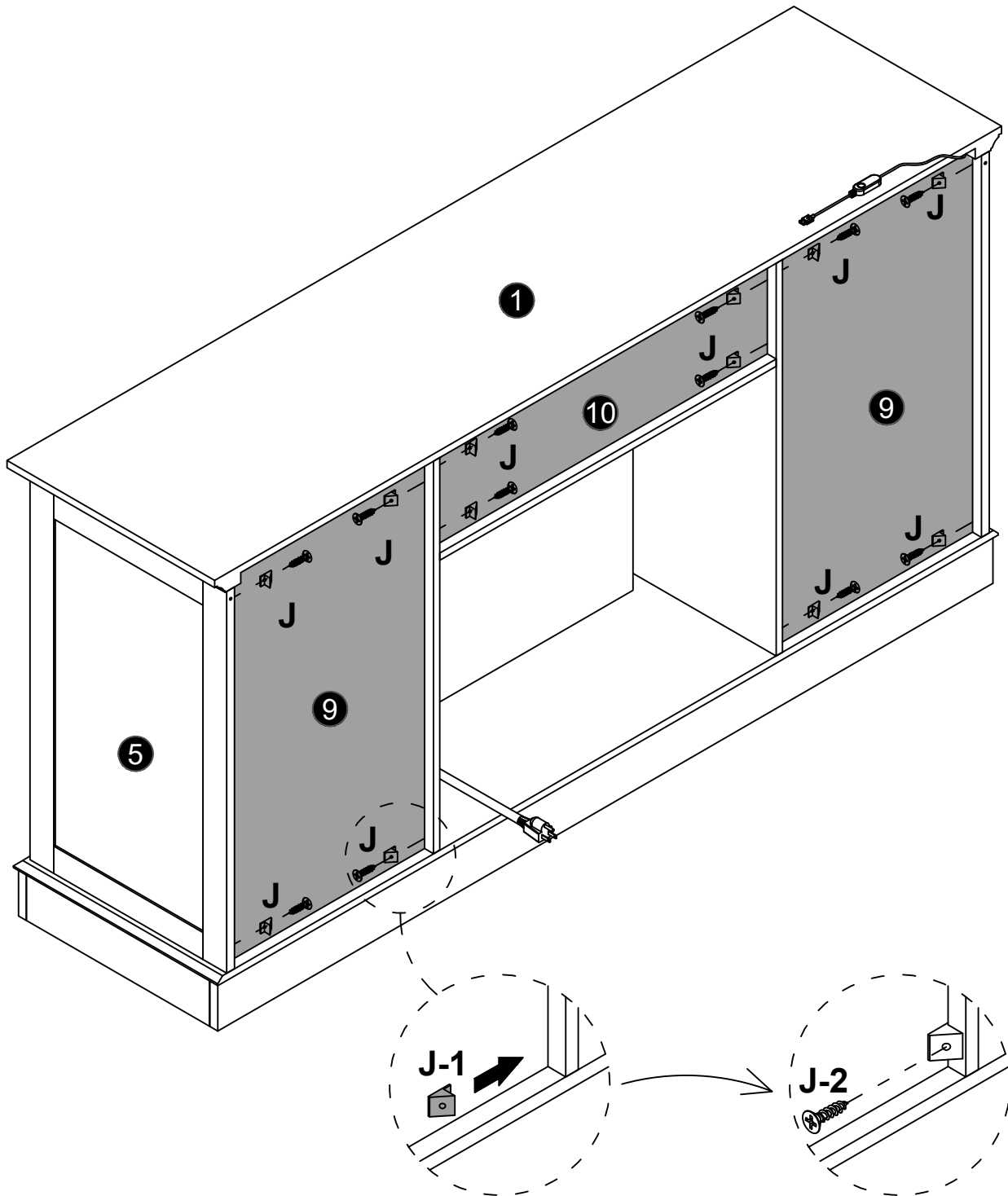
J x12



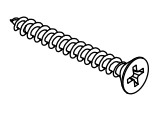
J-1



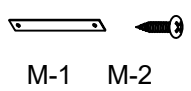
J-2



D x2



I x2

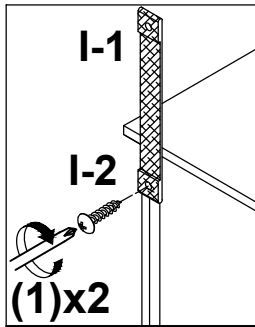
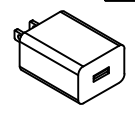


M-1 M-2

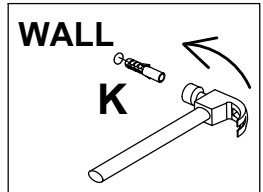
K x2



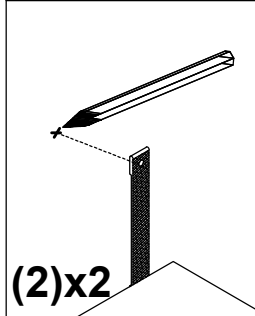
R x1



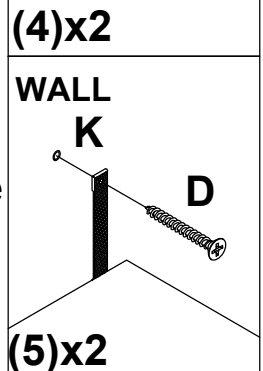
First fix the anti-rewind screw in the reserved hole of the product.



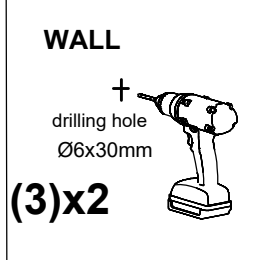
Then, put the expansion bolt into the hole



then, use a ruler to measure the approximate height of the product on the wall, and then mark it with a pen.



Finally, pass the matching screws through the "anti-rewind" and tighten them to fix them on the wall.



Then use a tape drill to make holes in the wall that are suitable for the product screws.

