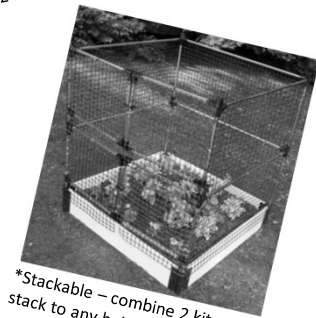


# ANIMAL BARRIER

*\*Stack & \*\*Extend*



\*\*Extendable – combine 2 kits to expand to any dimension, requires 2 kits of more




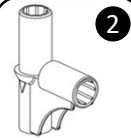
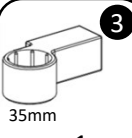
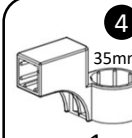
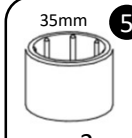
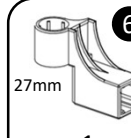
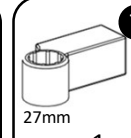
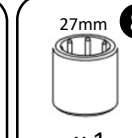
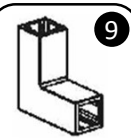
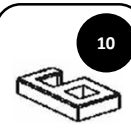


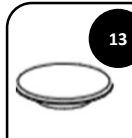
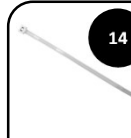

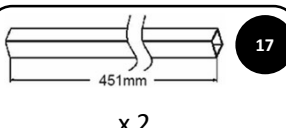
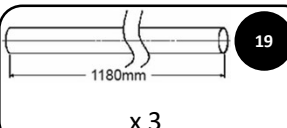

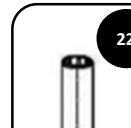

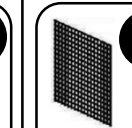
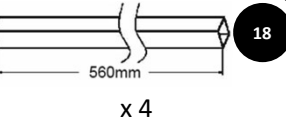
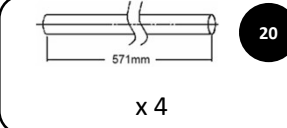
\*Stackable – combine 2 kits to stack to any height, requires 2 kits



**RAISED BED SOLD SEPARATELY**

Each kit will protect a 4ft. x 4ft. garden to a height of 2 feet. Stackable & Extendable requires 2 or more kits.

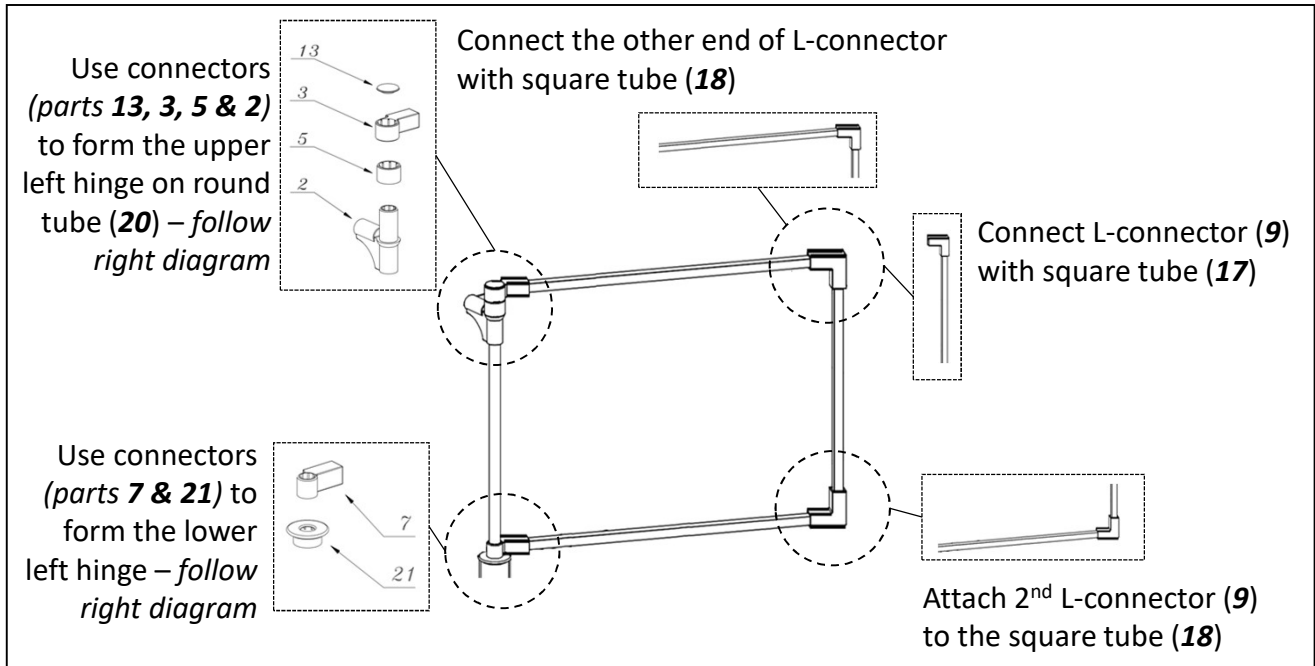
## KIT CONTAINS:

 x 2	 x 4	 x 1	 x 1	 x 2	 x 1	 x 1	 x 1
 x 4	 x 1	 x 2	 x 1	 x 4	 x 50	 x 1	
 x 2	 x 3		 x 4		 x 1	 x 1	 x 2
 x 4	 x 4						

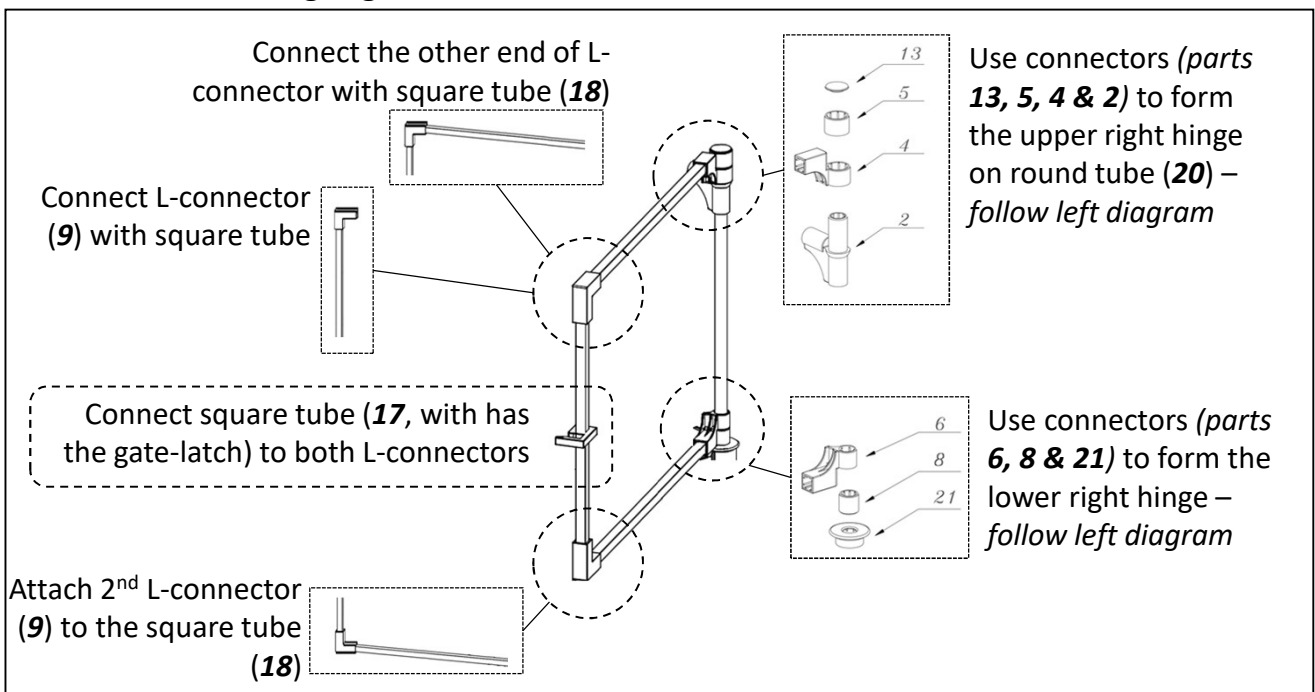
# ASSEMBLY INSTRUCTIONS

Your animal barrier kit goes together by plugging the various tubes into the pivoting connectors and connecting the netting with zip ties.

## STEP 1: Install the left gate

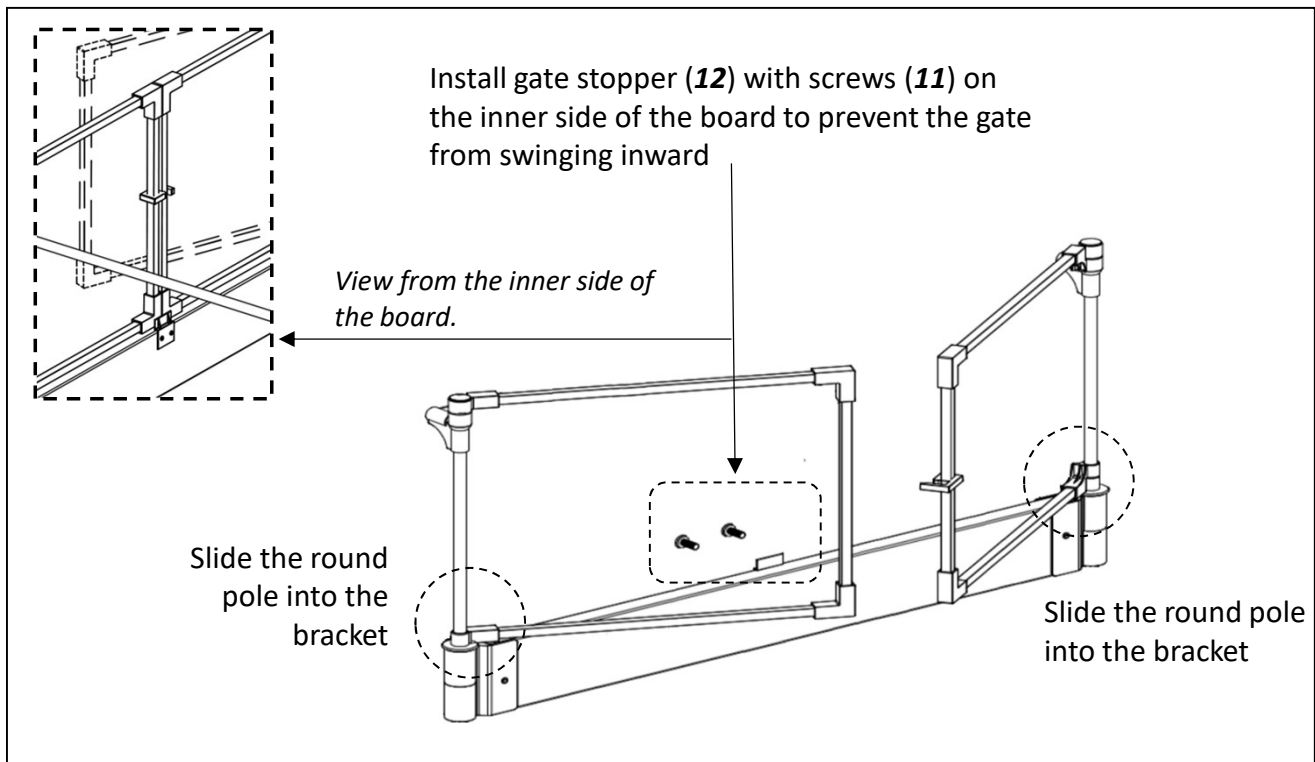


## STEP 2: Install the right gate

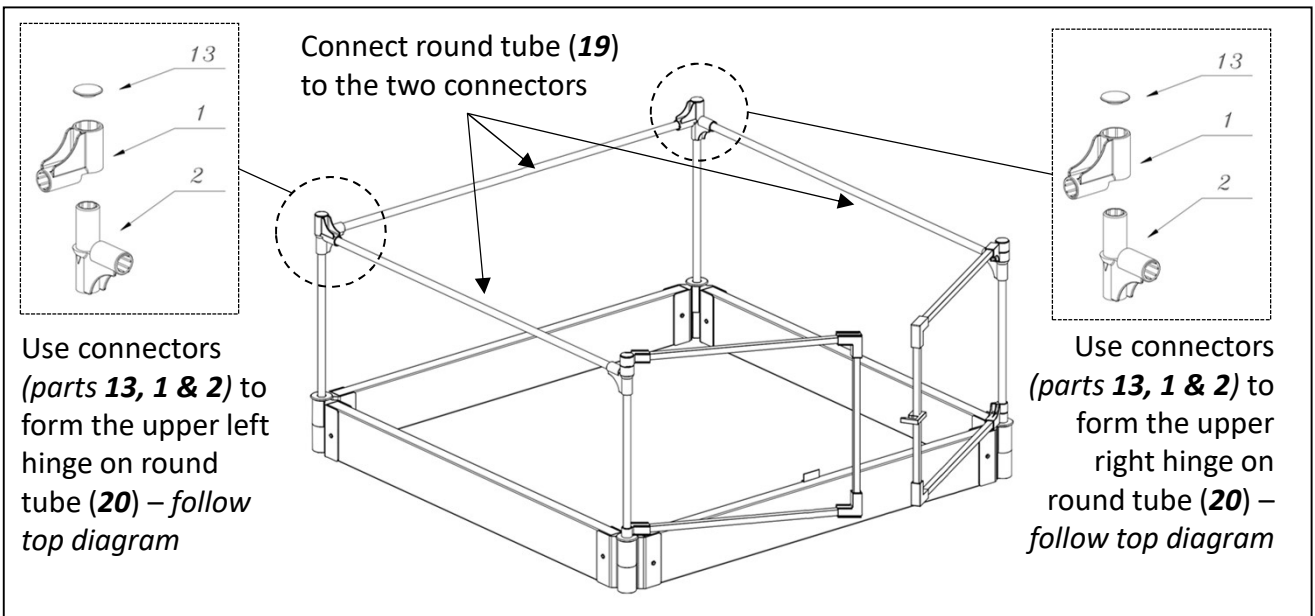


# ASSEMBLY INSTRUCTIONS - *continued*

## STEP 3: Attach the gates to the raised bed boards

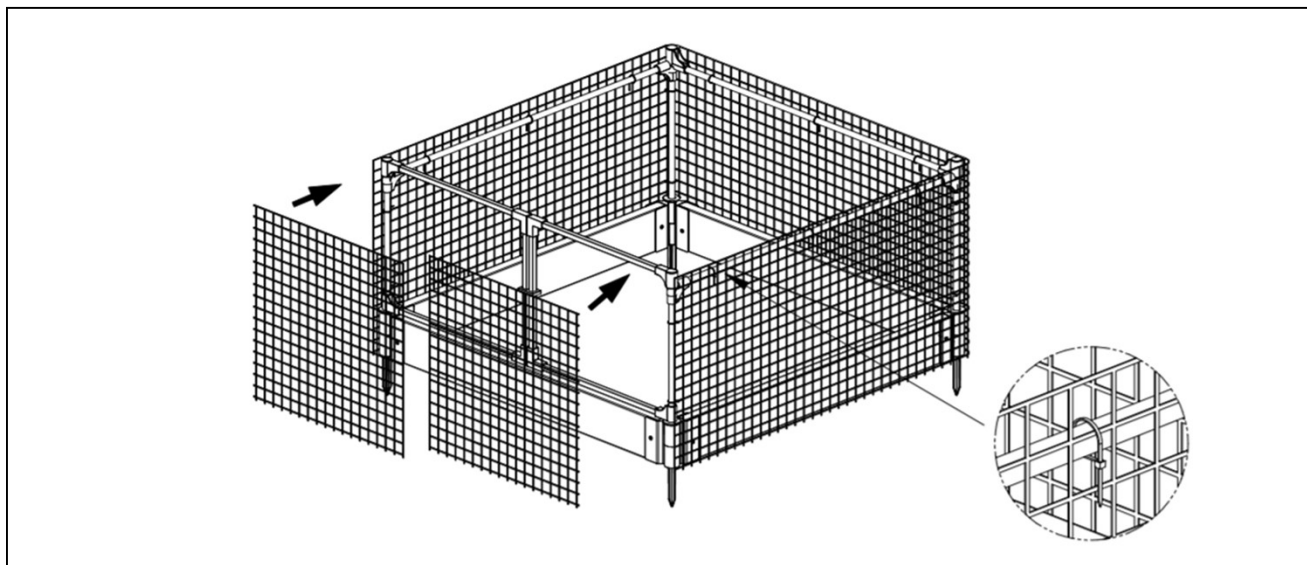


## STEP 4: Attach rest of framework to gate frame



## ASSEMBLY INSTRUCTIONS - *continued*

**STEP 5:** Apply black netting to frame- work



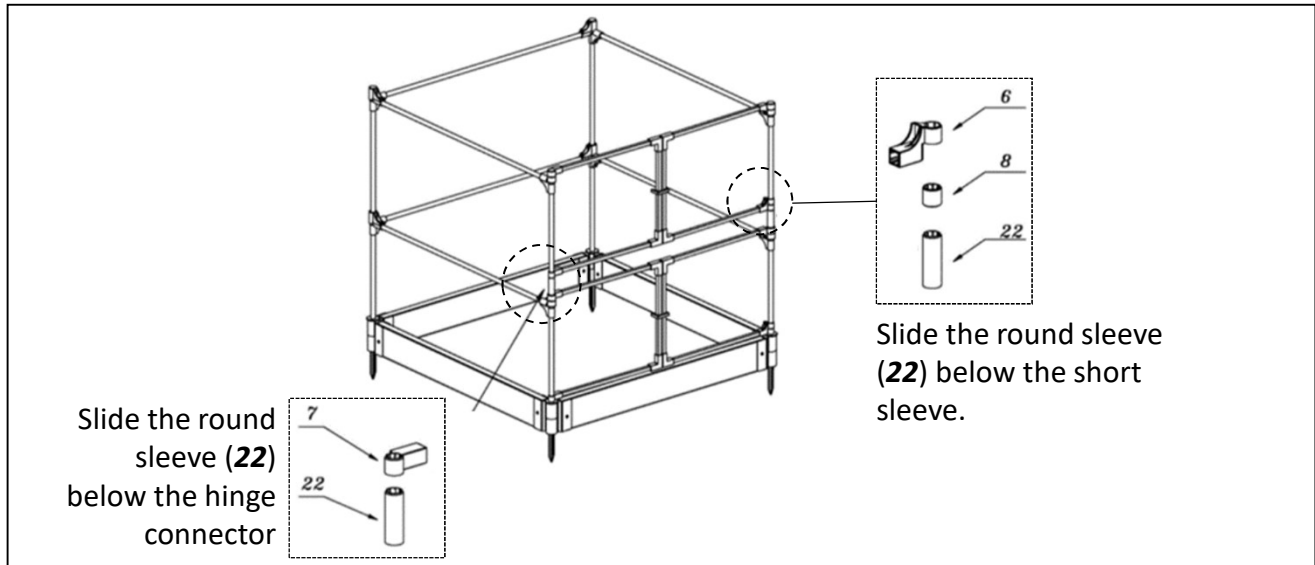
Apply the netting onto the remaining framework using zip ties. Attach top of netting flush with horizontal poles so the netting will hang over your raised bed.

Attach zip ties all along the top horizontal steel tubes and vertical tubes as well.

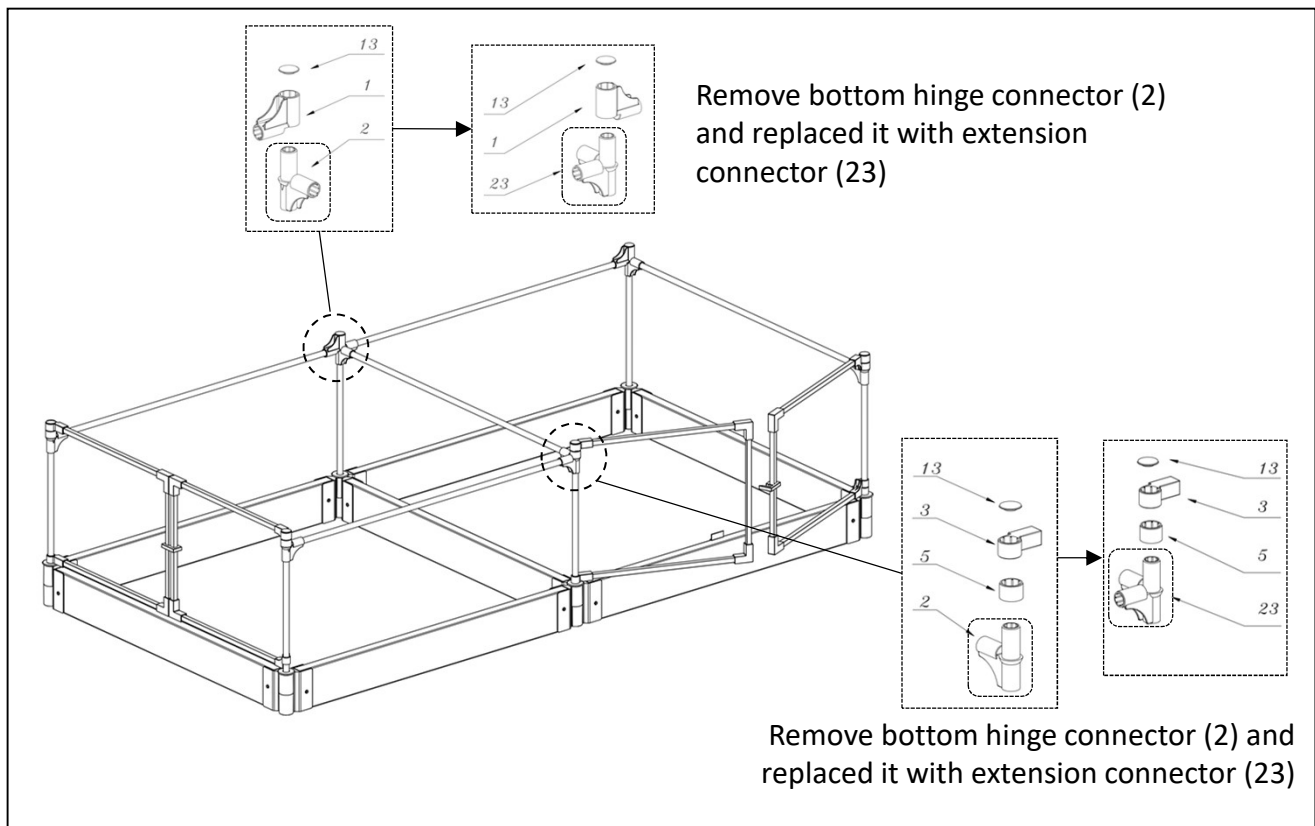
## ASSEMBLY INSTRUCTIONS – *stack and extend*

Add additional kits to create a higher or larger barrier area.

To **stack** another animal barrier – same way of assembling the barrier and use the additional round sleeves (**part 22** – 1 sleeve is included in each pack).



To **extend** another animal barrier - where the door is at a different side



# ASSEMBLY INSTRUCTIONS – *stack and extend (continued)*

To extend another animal barrier - where the door is parallel as the 1<sup>st</sup> barrier

