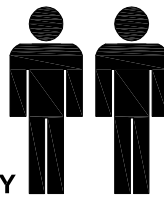


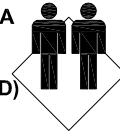
90min

APPROXIMATE ASSEMBLY TIME

2 PEOPLE FOR ASSEMBLY

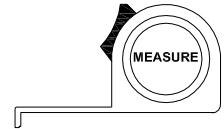
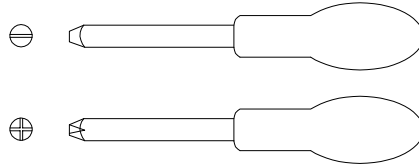
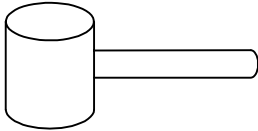


FLOOR AREA
1.0M X 1.0M
(FLAT BUILD)



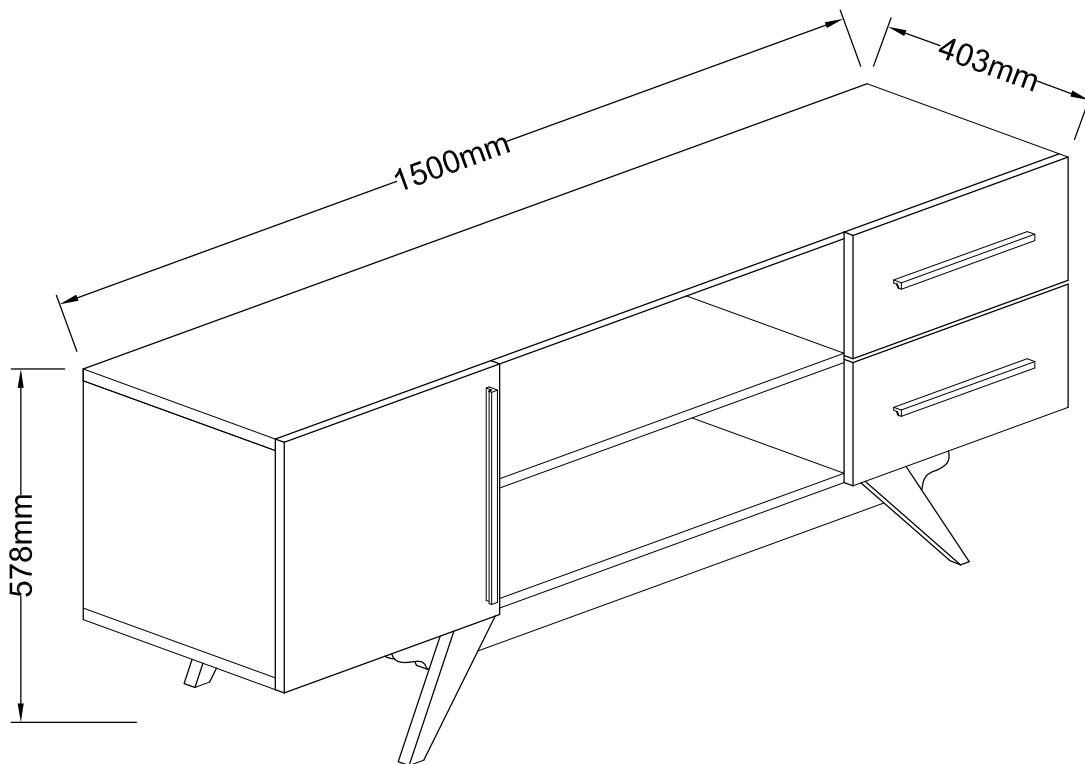
CEILING HEIGHT
2.2M

REQUIRED ASSEMBLY SPACE



REQUIRED ASSEMBLY TOOLS

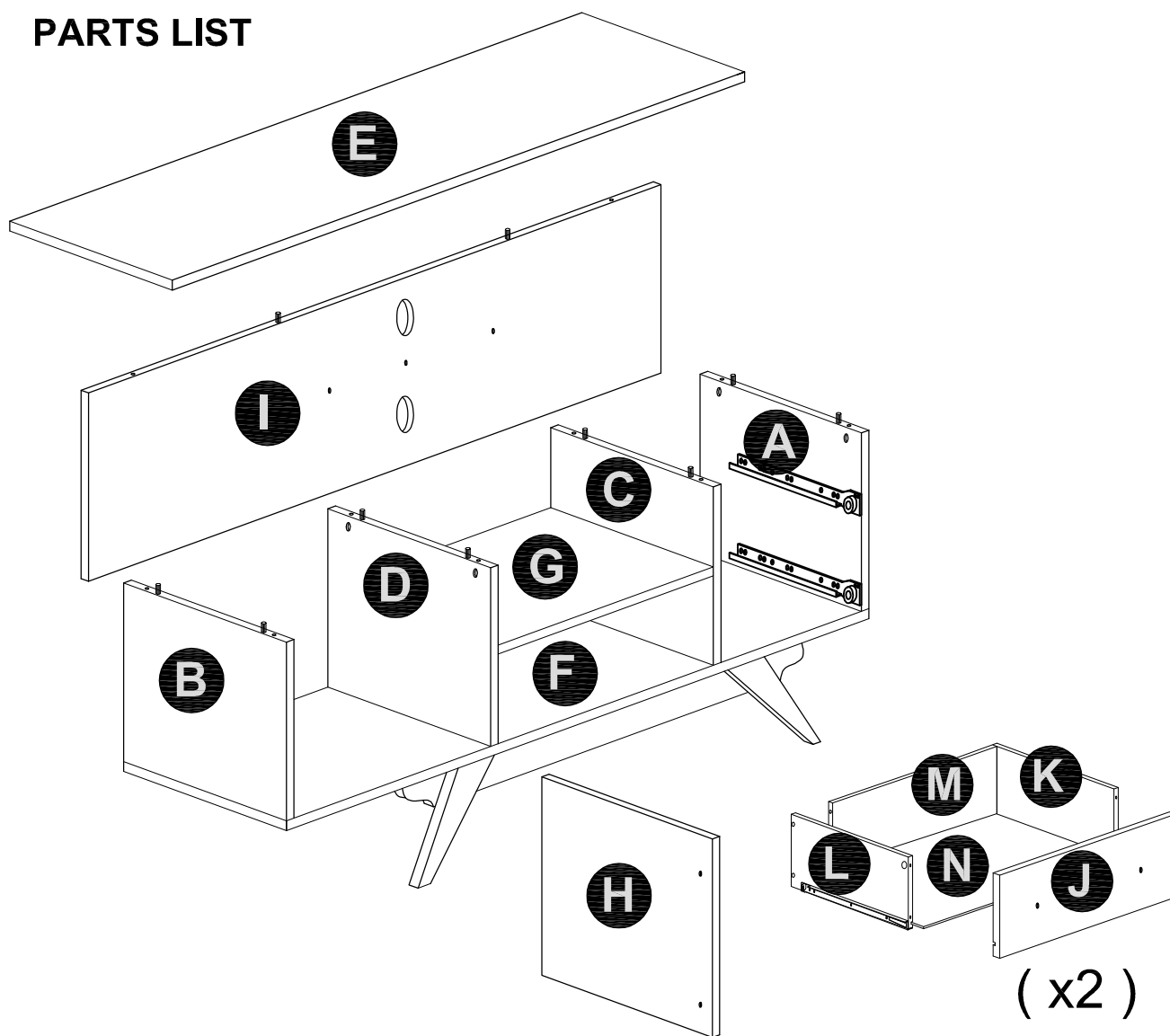
ASSEMBLED DIMENSIONS



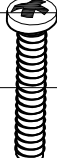


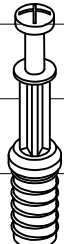

NOTE : THE MAXIMUM WEIGHT THIS PRODUCT CAN HOLD UP TO IS 25 KGS.

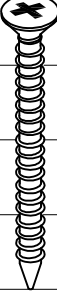

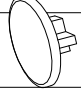


NO.	PART LIST	QTY	NO.	PART LIST	QTY
(A)	RIGHT SIDE PANEL	1	(J)	DRAWER FRONT	2
(B)	LEFT SIDE PANEL	1	(K)	DRAWER SIDE (RIGHT)	2
(C)	CENTRE PANEL RIGHT	1	(L)	DRAWER SIDE (LEFT)	2
(D)	CENTRE PANEL LEFT	1	(M)	DRAWER BACK PANEL	2
(E)	TOP PANEL	1	(N)	DRAWER BASE	2
(F)	BOTTOM PANEL	1			
(G)	FIXED PANEL	1			
(H)	DOOR PANEL	1			
(I)	BACK PANEL	1			

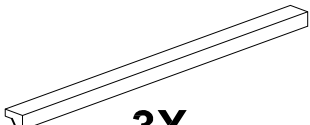
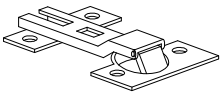
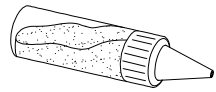
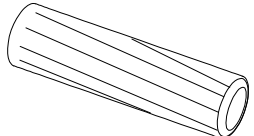

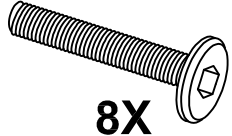


PARTS LIST



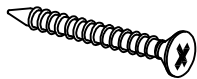
HARDWARE LIST

				
6X	8X	12X	19X	28X
M4 x 19mm	M3.5 x 25mm	Dia.15mm	M6.5	Dia.6 x 30mm
1	2	3	4	5
PAN HEAD BOLT	FLAT HEAD SCREW	CAM-LOCK	CAM BOLT	WOOD DOWEL

				
14X	7X	3X	3X	1X
M8 x 38mm	Dia.15mm	Dia 17mm	Dia.13mm	M4
6	7	8	9	10
FLAT HEAD SCREW	SMALL CAM-LOCK	UNIVERSAL CAP (OPTIONAL)	SCREW COVER (OPTIONAL)	ALLEN KEY

			
3X	2X	1X	8X
11	12	13	14
HANDLE	ADJUSTABLE HINGE	GLUE 10CC	WOOD DOWEL
			
16X	8X	8X	8X
M8 x 50mm	M5 x 40mm	Ø12 x 1mm	Ø12 x 0.5mm
15	16	17	18
FLAT HEAD SCREW	ALLEN HEAD BOLT	SPRING WASHER	FLAT WASHER

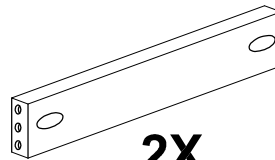
HARDWARE LIST



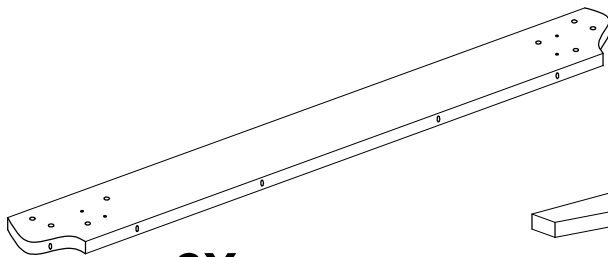
12X
M8 x 32mm
19
FLAT HEAD
SCREW



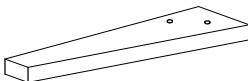
8X
M8 x 5/8mm
20
FLAT HEAD
SCREW



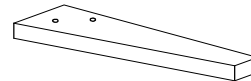
2X
21
SIDE PROFILE
283 x 45 x 20 mm



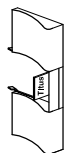
2X
22
FRONT PROFILE
1148 x 70 x 20 mm



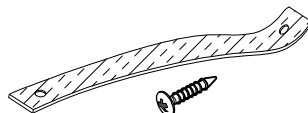
2X
23
RIGHT LEG PROFILE
300 x 70 x 28 mm



2X
24
LEFT LEG PROFILE
300 x 70 x 28 mm



1X
24
DOOR
SOFT CLOSED



2X
25
ANTI TIP STRAP

Top Tips before you start!

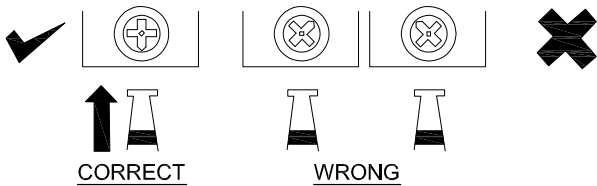
1. Please check that all parts are present before you start the assembly of your furniture.
2. For ease and speed of assembly, we recommend that before you commence each step of the assembly, that you identify all the parts required for that step.
3. For larger items, please ensure that you have sufficient space and people (as indicated on page 1) to assemble your product safely
4. We recommend that, where possible, all items are assembled near to the area in which they will be placed in use, to avoid moving the product unnecessarily once assembled.
5. For the protection of your furniture, particularly items of high gloss finish, we recommend that the product is placed on a protected surface during assembly to prevent any damage.
6. Caution - Electric / Battery operated screw driver NOT RECOMMENDED.
7. During assembly please take care not to over-tighten any fittings, as this may damage the product.
8. Always place the product on a flat, steady and stable surface.
9. Do not sit or stand on the product.
Do not use the product as a stepladder.
10. This product is intended for indoor, household use only as it is non industrial product.
11. This product is constructed from re-inforced hollow board. Excessive pressure cause irreparable damage. Please do not kneel on any part of this product during assembly.

Care and Maintenance of your Furniture

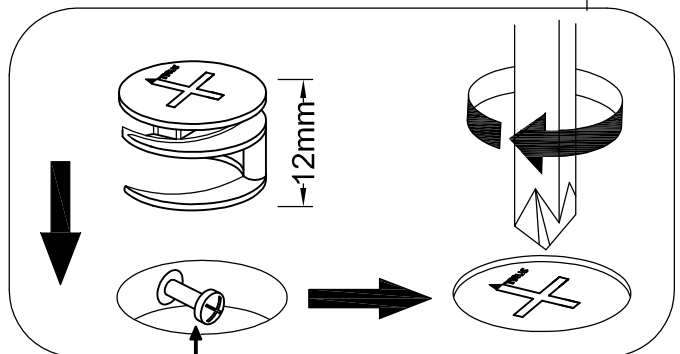
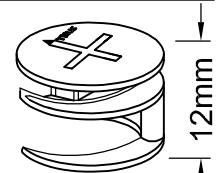
- Please periodically check all fittings and re-tighten as necessary.
- To clean your item, please use a damp cloth and wipe clean.
- Never allow any kind of liquid to remain on your furniture.
- Please do not place hot items (e.g. hot drinks) directly on to the wood surface.
- Please do not drag and pull your furniture.

SPECIAL TIPS FOR FITTING CAM-LOCKS AND QUICKFIT

WHEN FITTING CAMLOCK
ENSURE STARTING POSITION IS CORRECT
BEFORE YOU INSERT CONNECTING QUICKFIT
TURN CLOCKWISE UNTIL SECURE

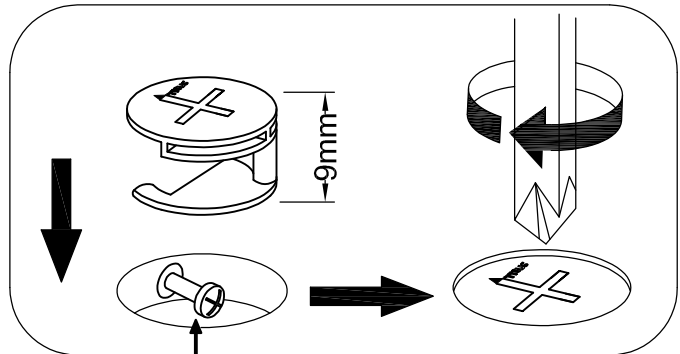
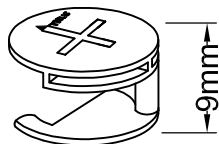


LARGE CAM-LOCK



Quickfit head needs to be in centre

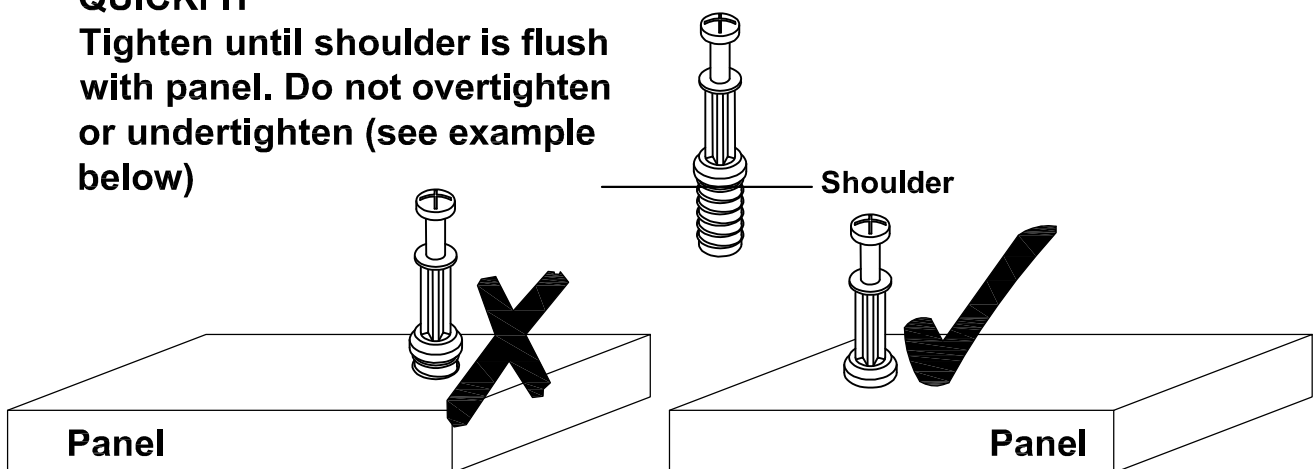
SMALL CAM-LOCK



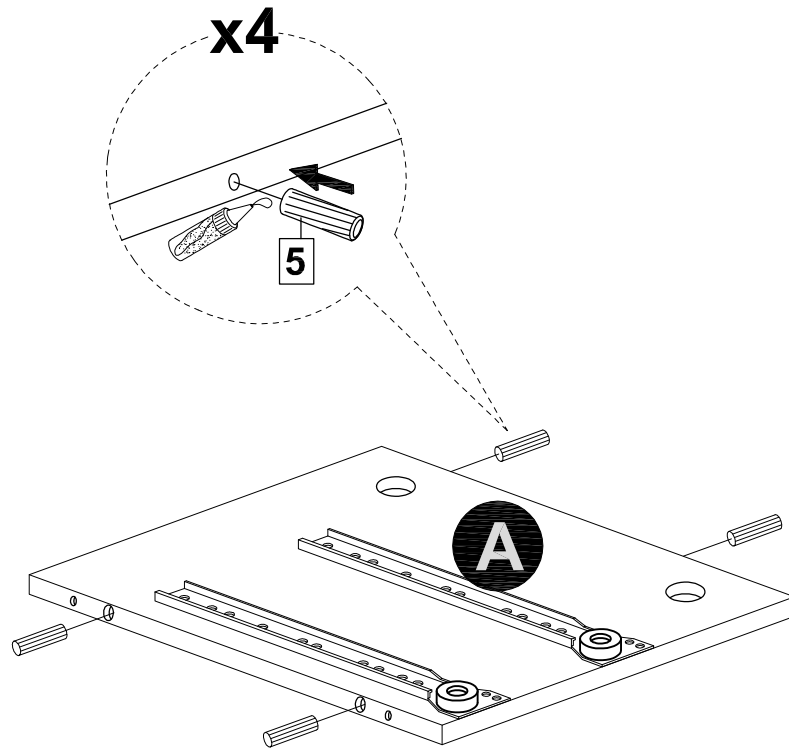
Quickfit head needs to be in centre

QUICKFIT

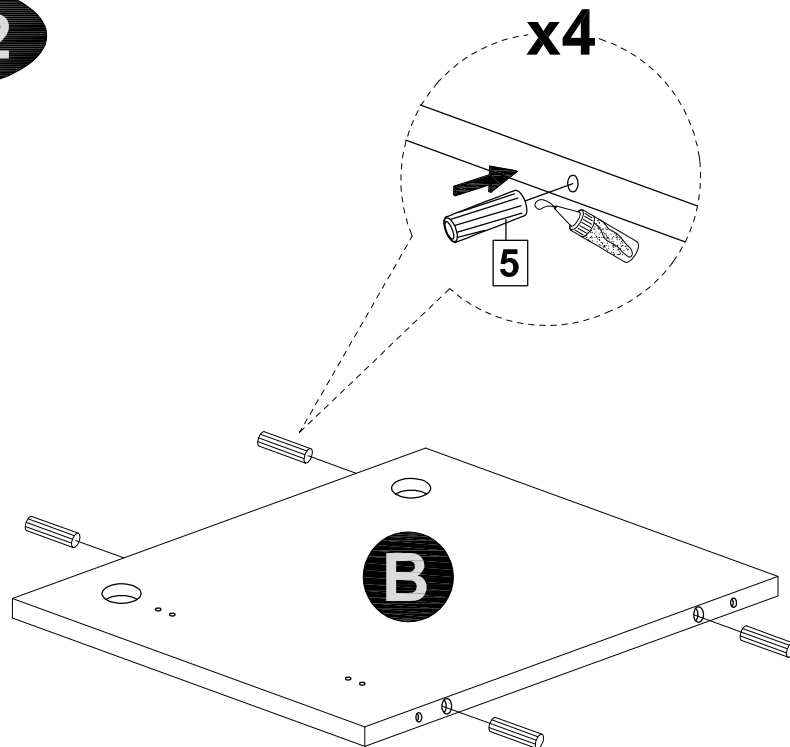
Tighten until shoulder is flush with panel. Do not overtighten or undertighten (see example below)



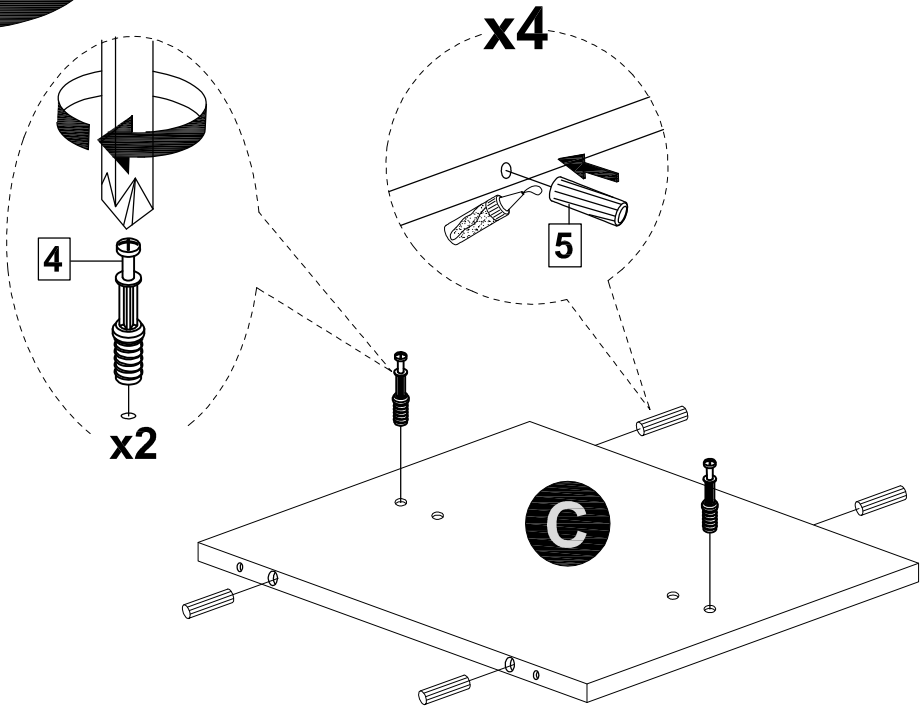
STEP 1



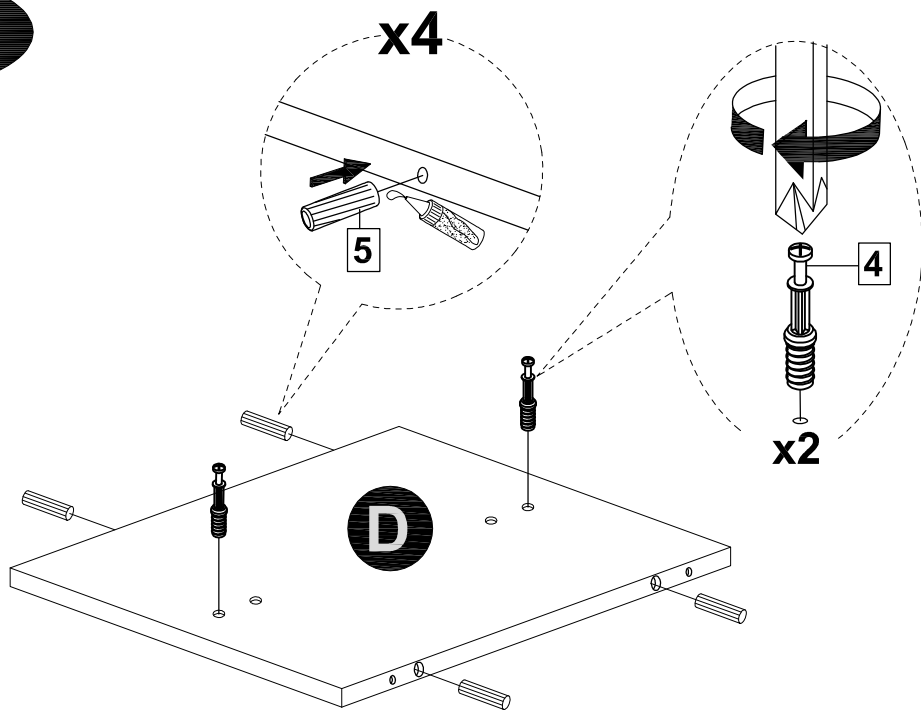
STEP 2



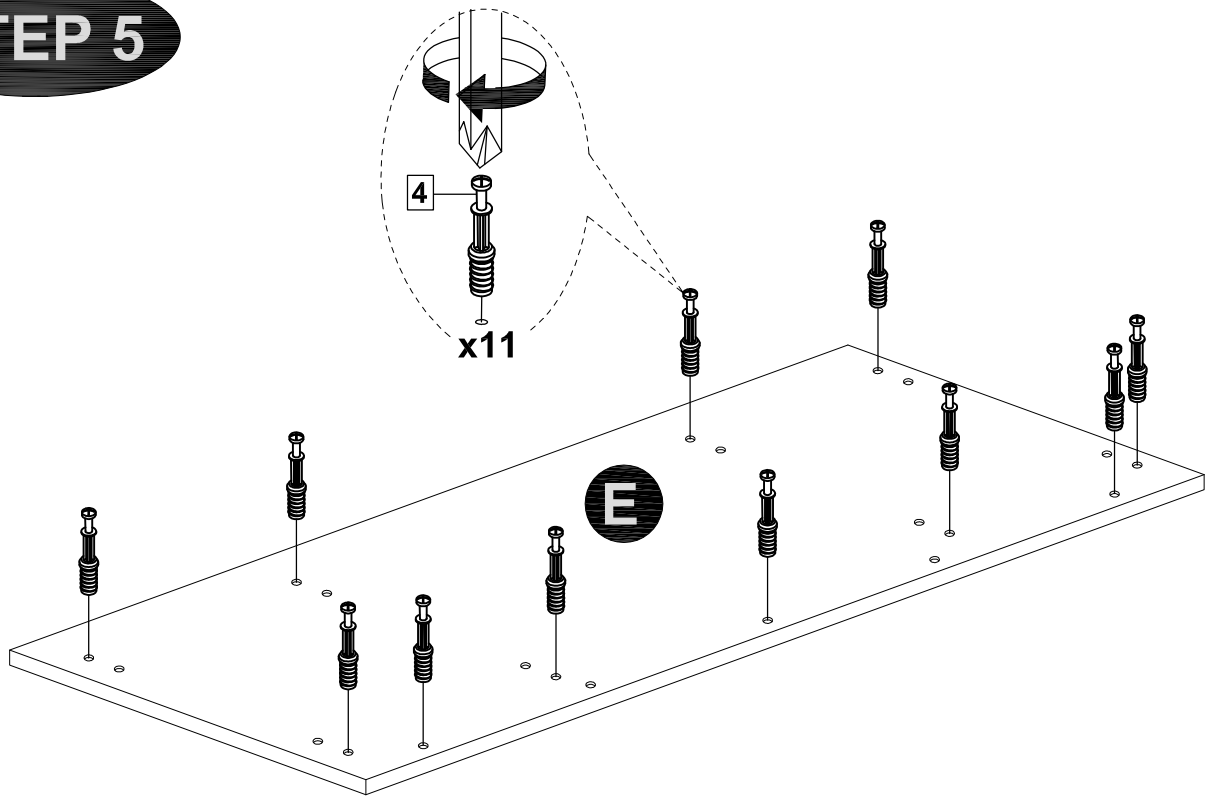
STEP 3



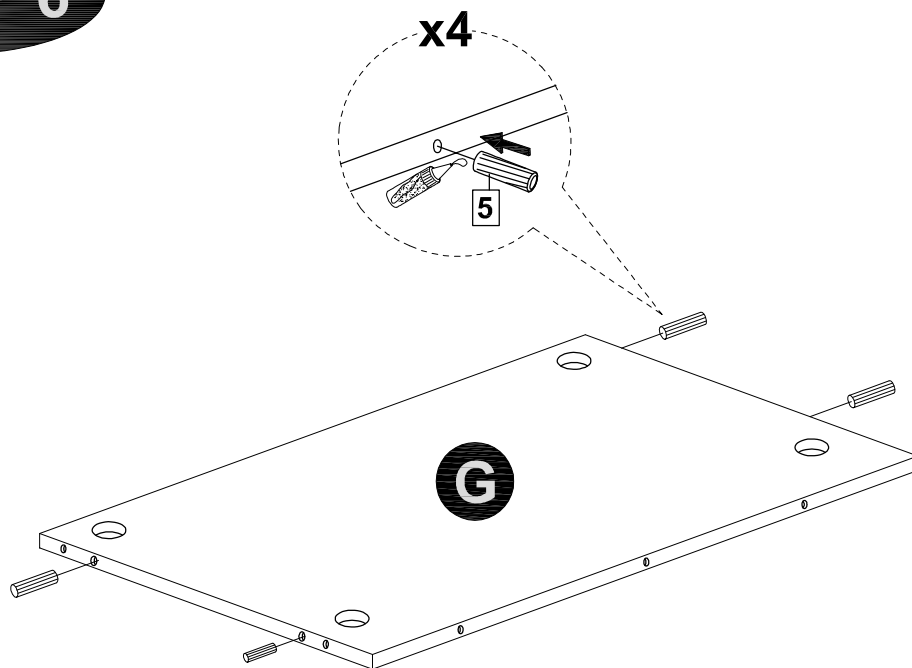
STEP 4



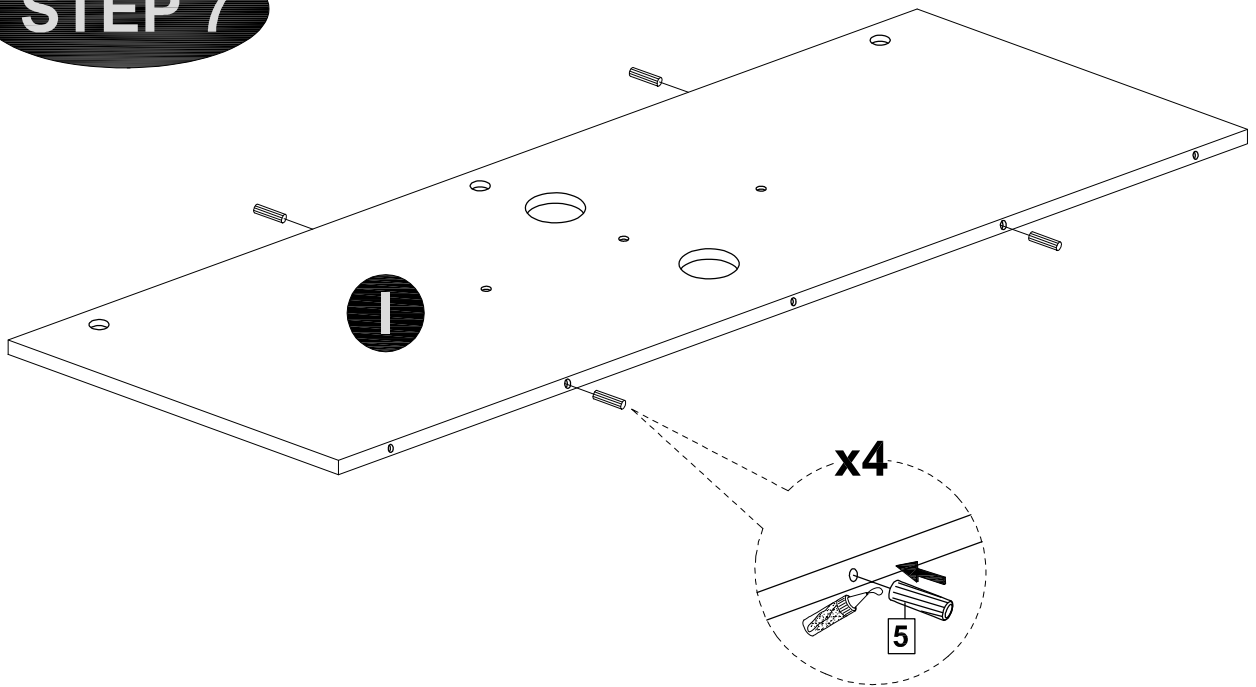
STEP 5



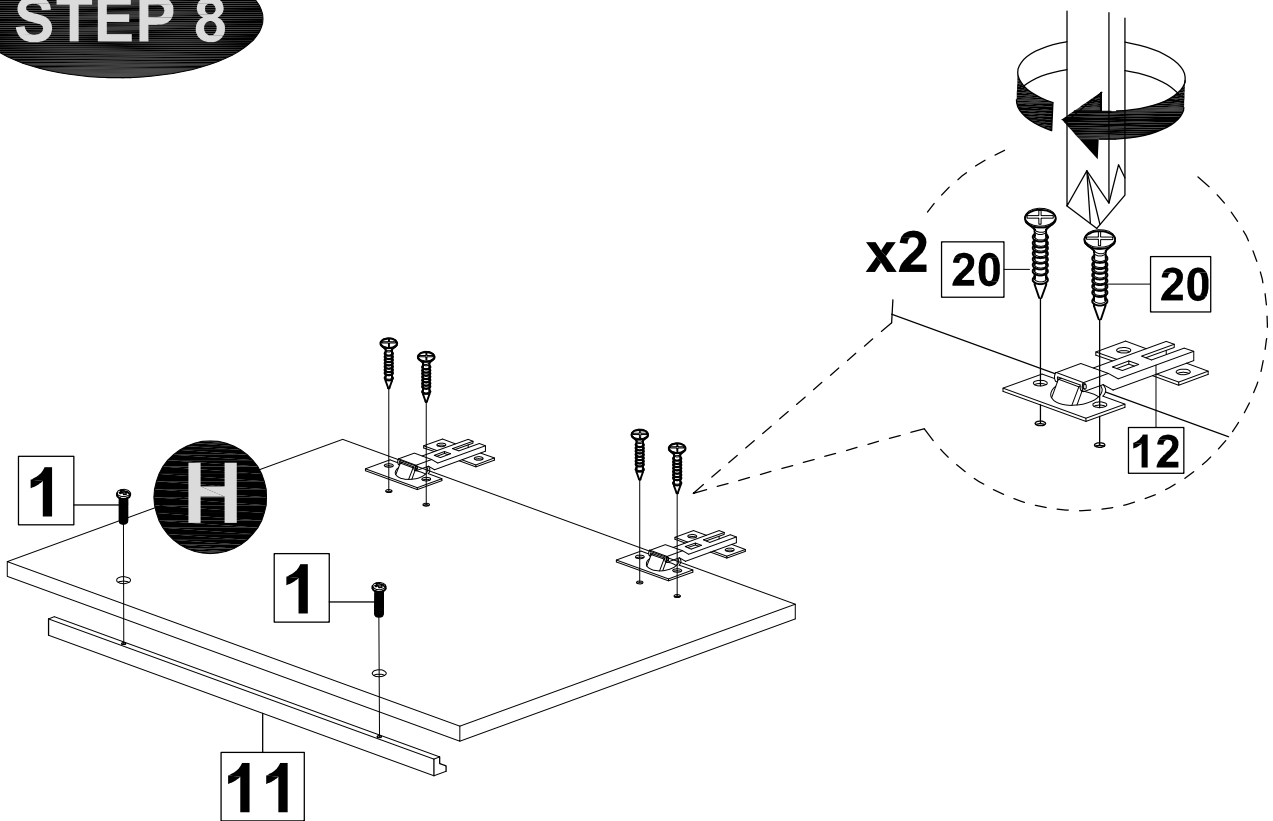
STEP 6



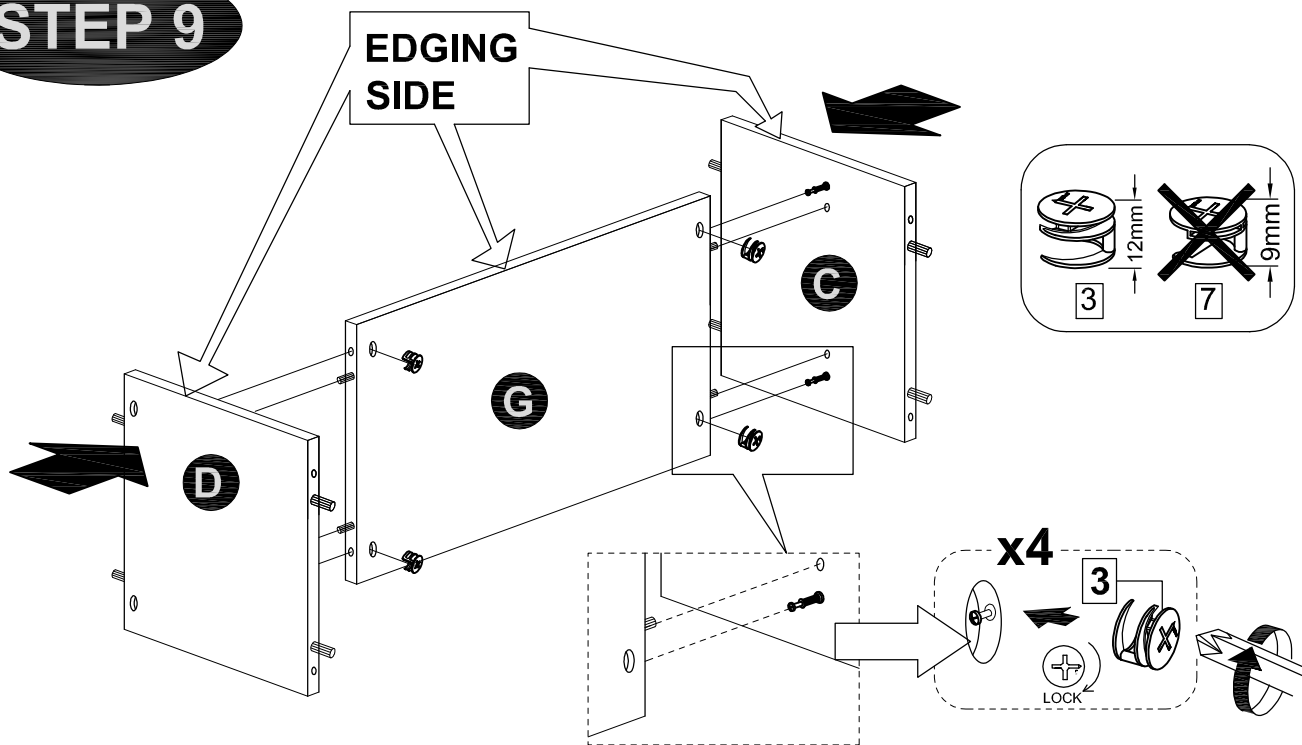
STEP 7



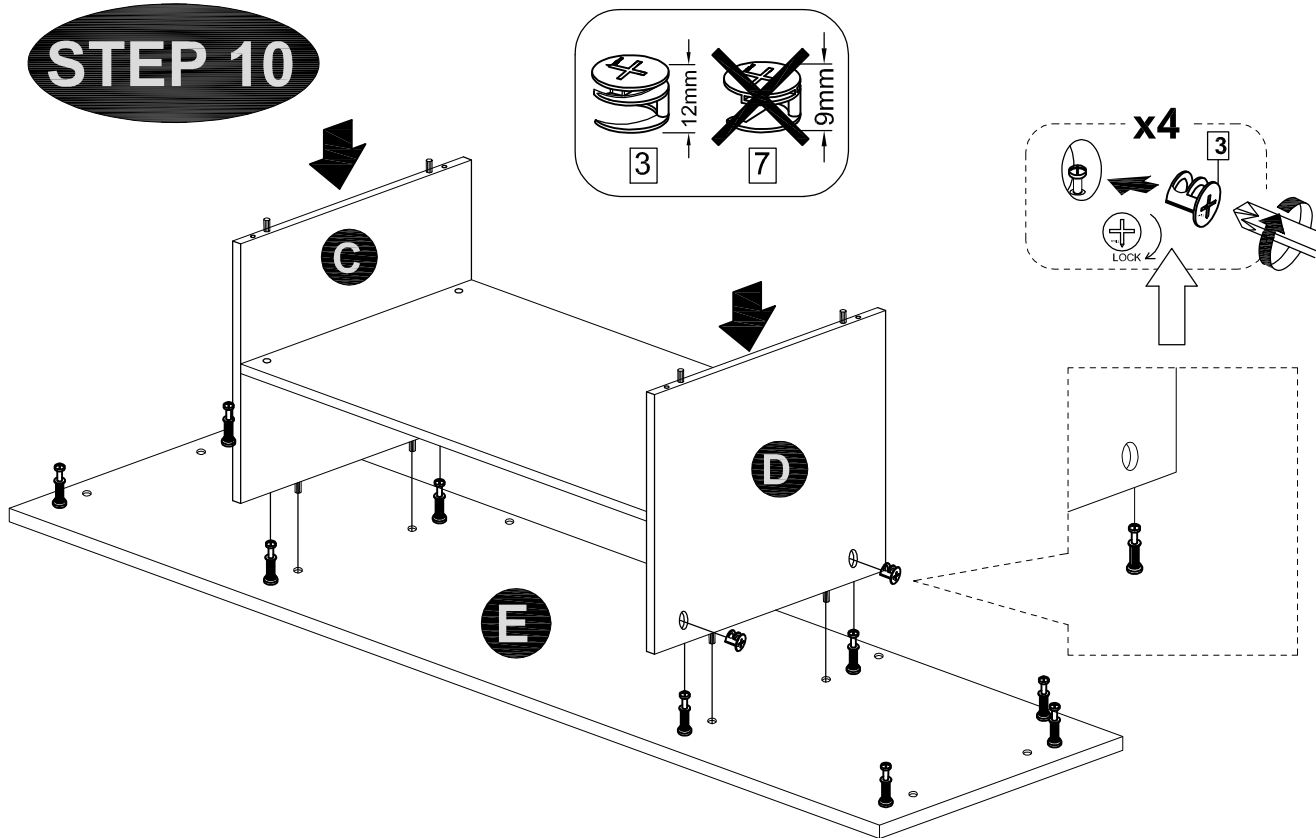
STEP 8



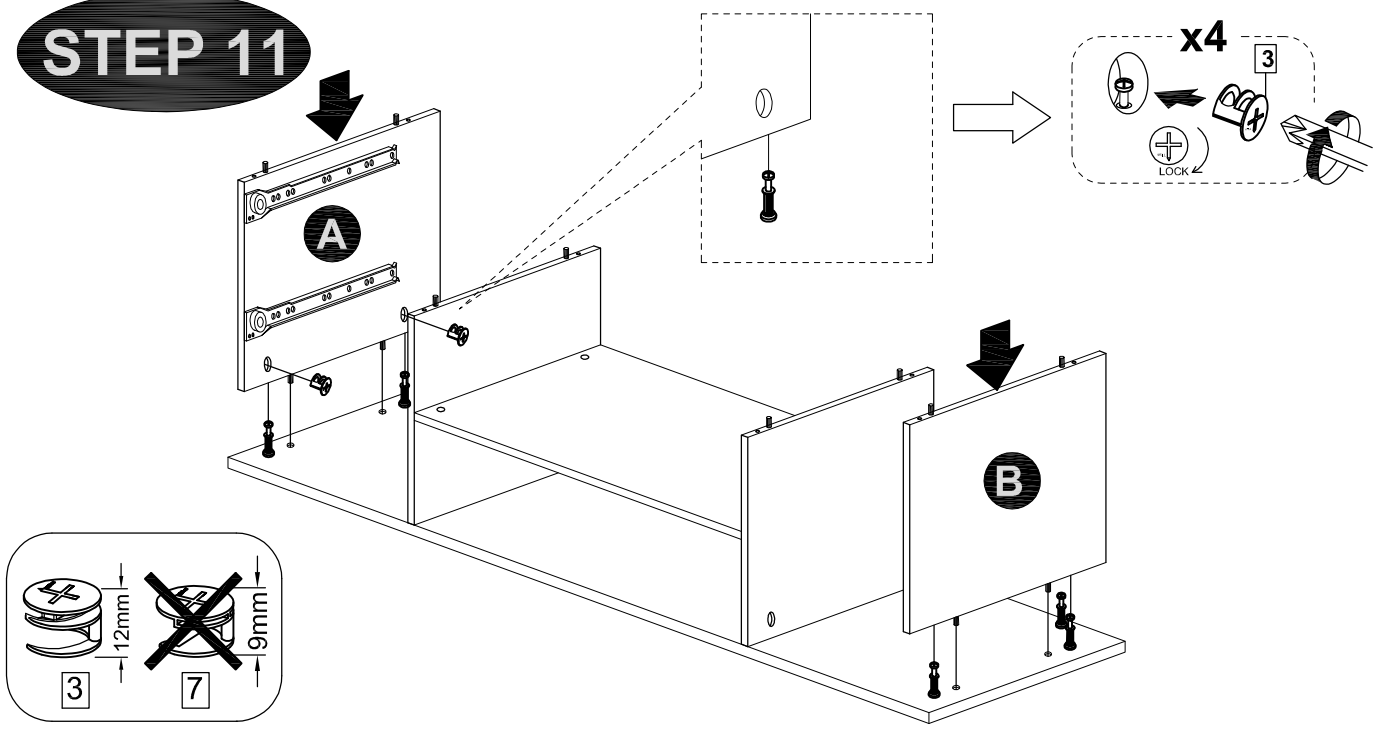
STEP 9



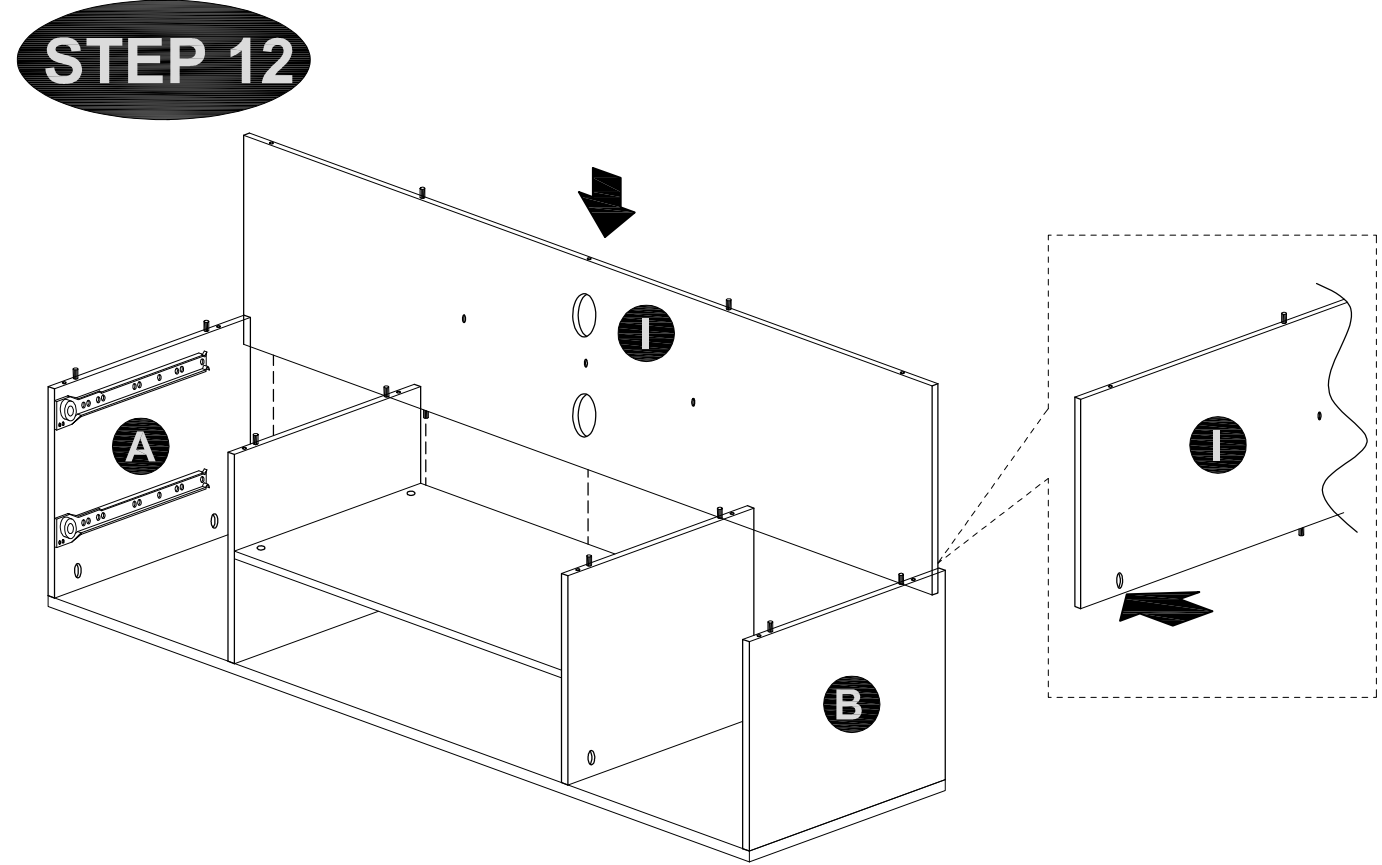
STEP 10



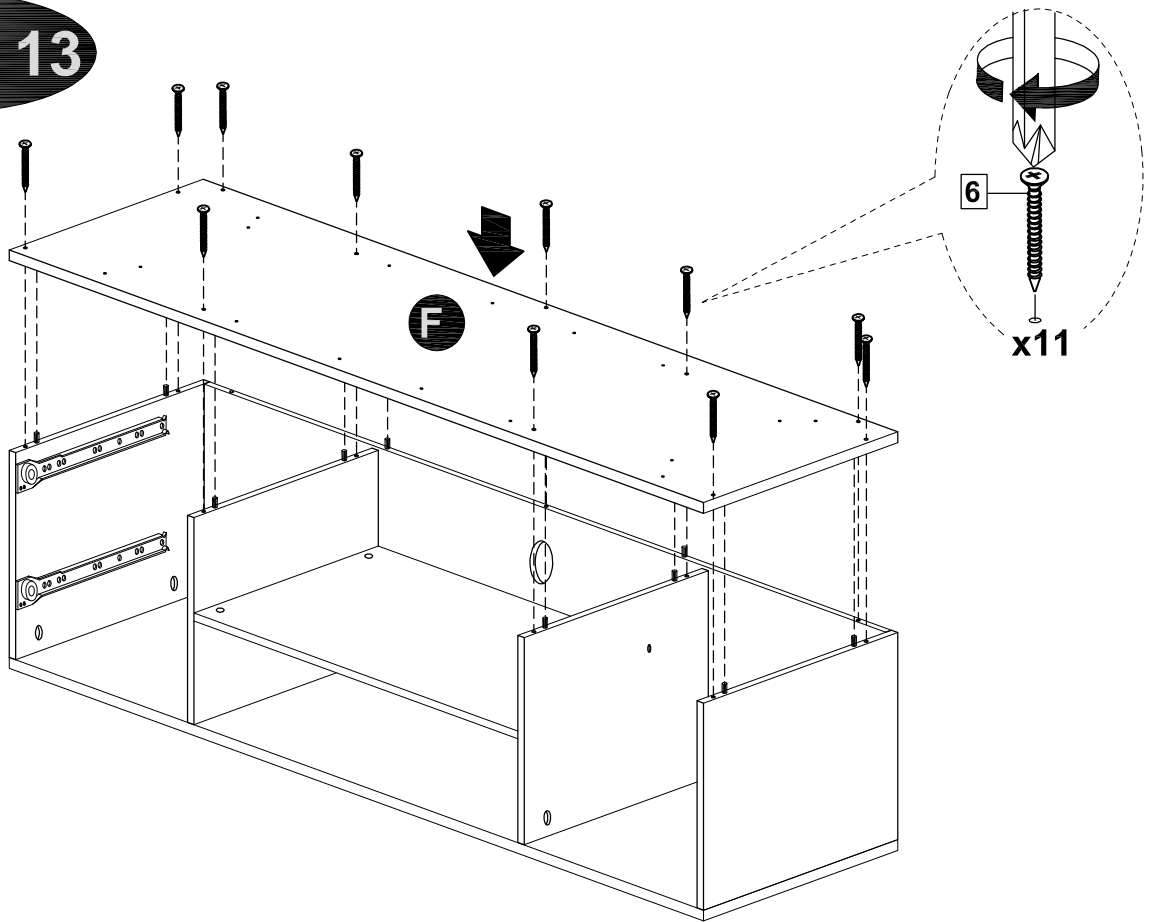
STEP 11



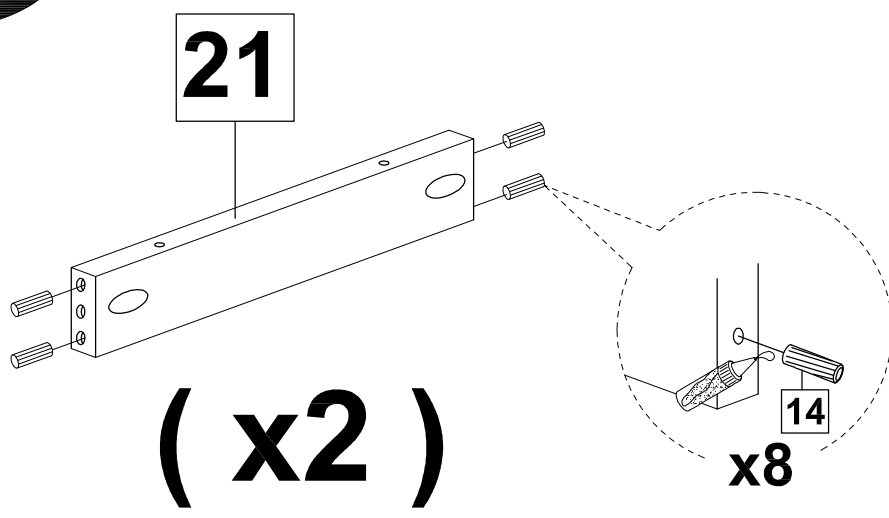
STEP 12



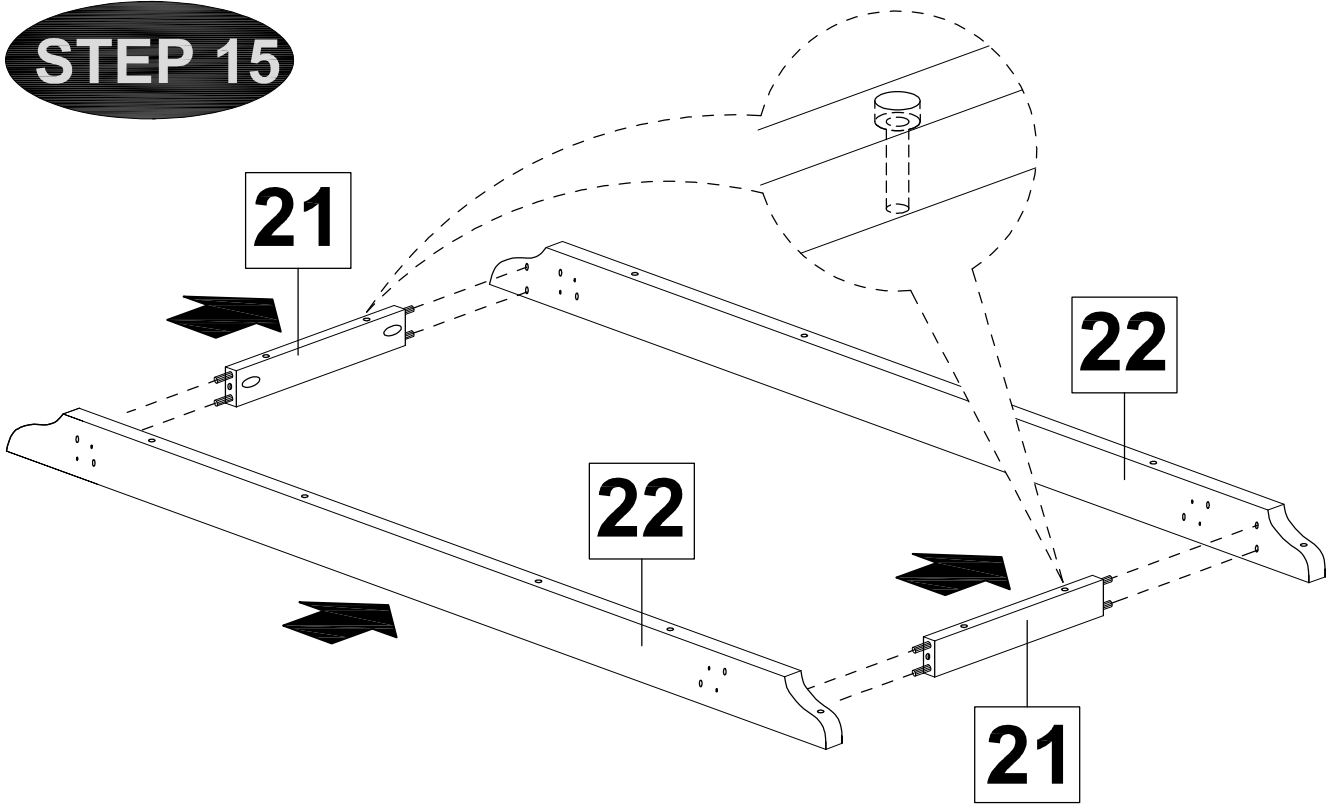
STEP 13



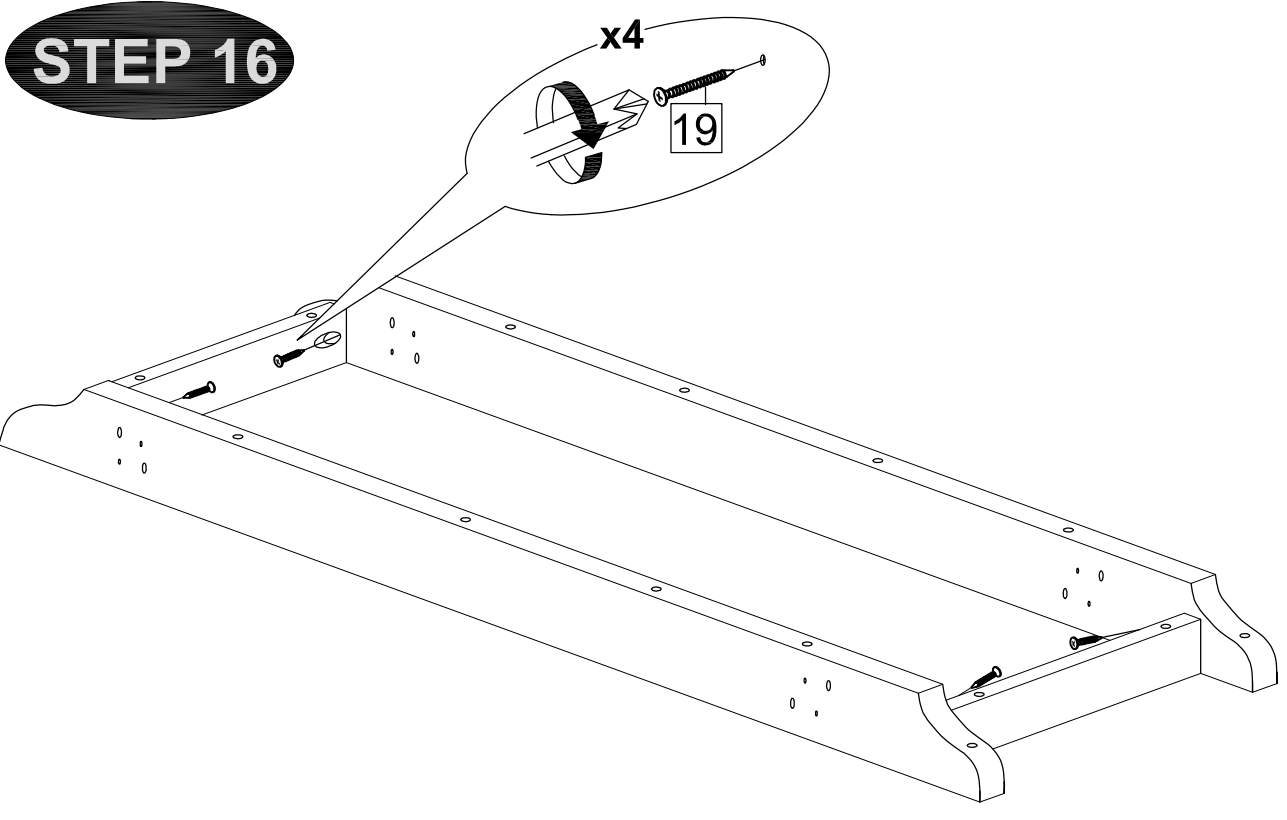
STEP 14



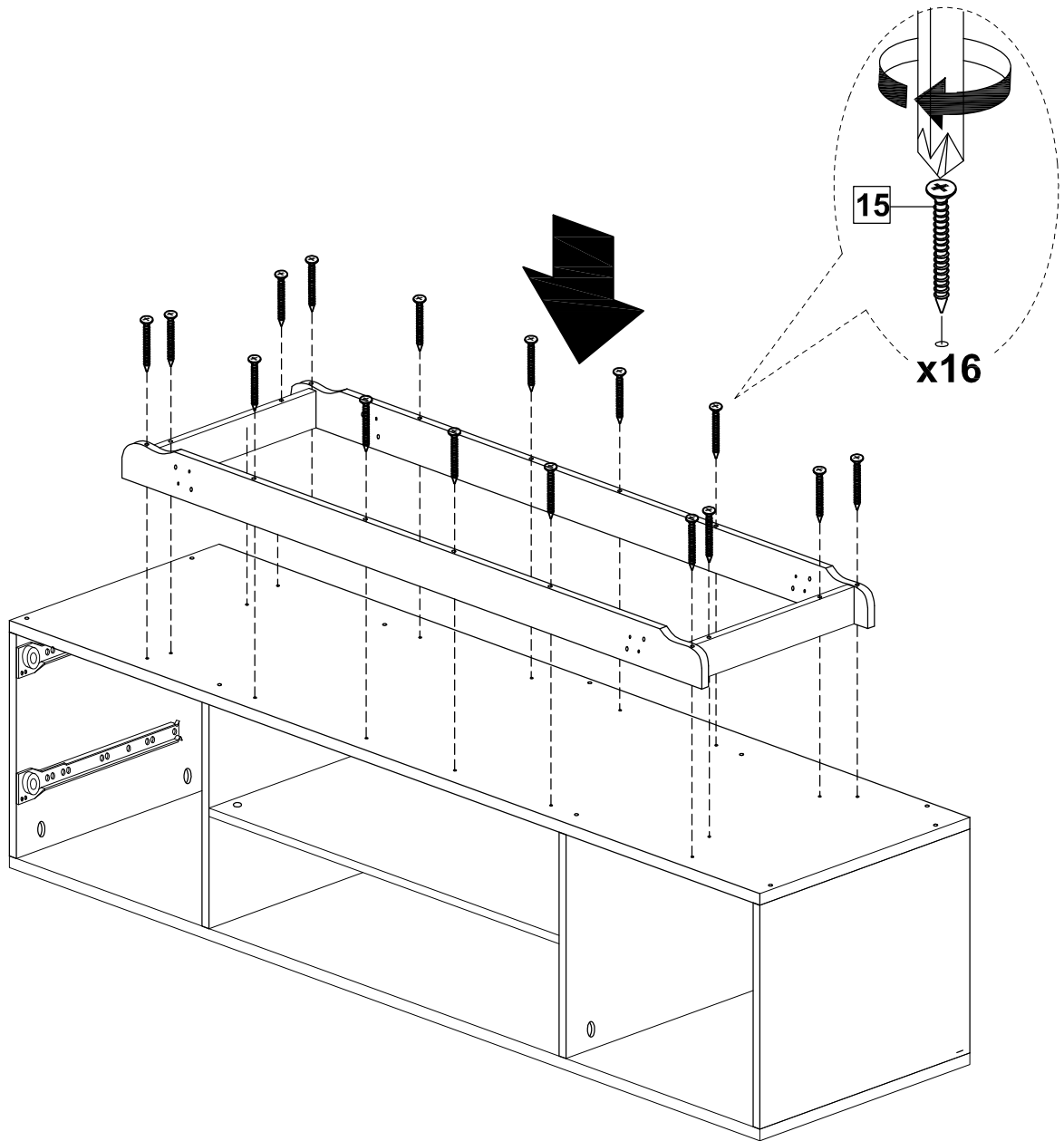
STEP 15



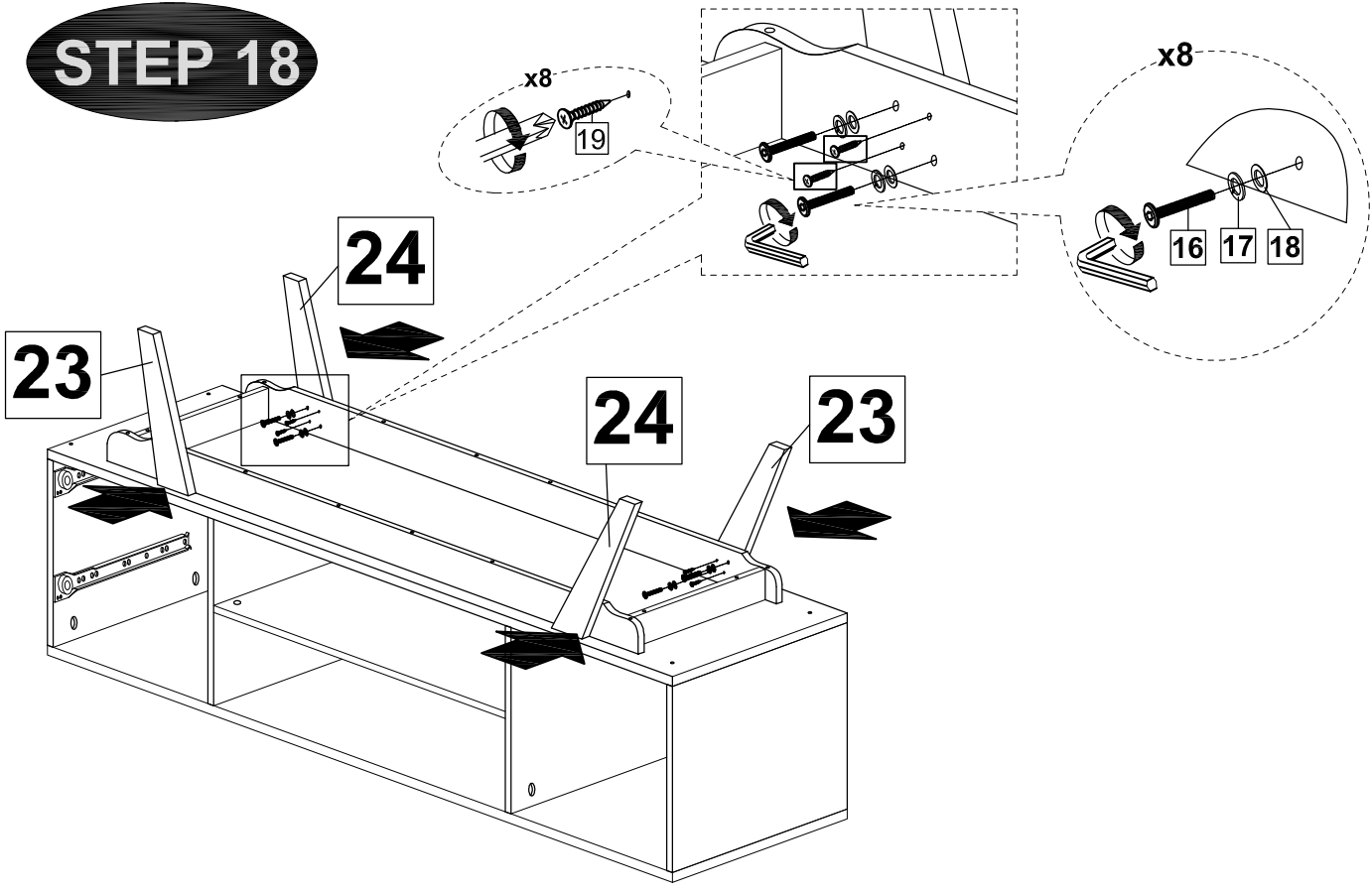
STEP 16



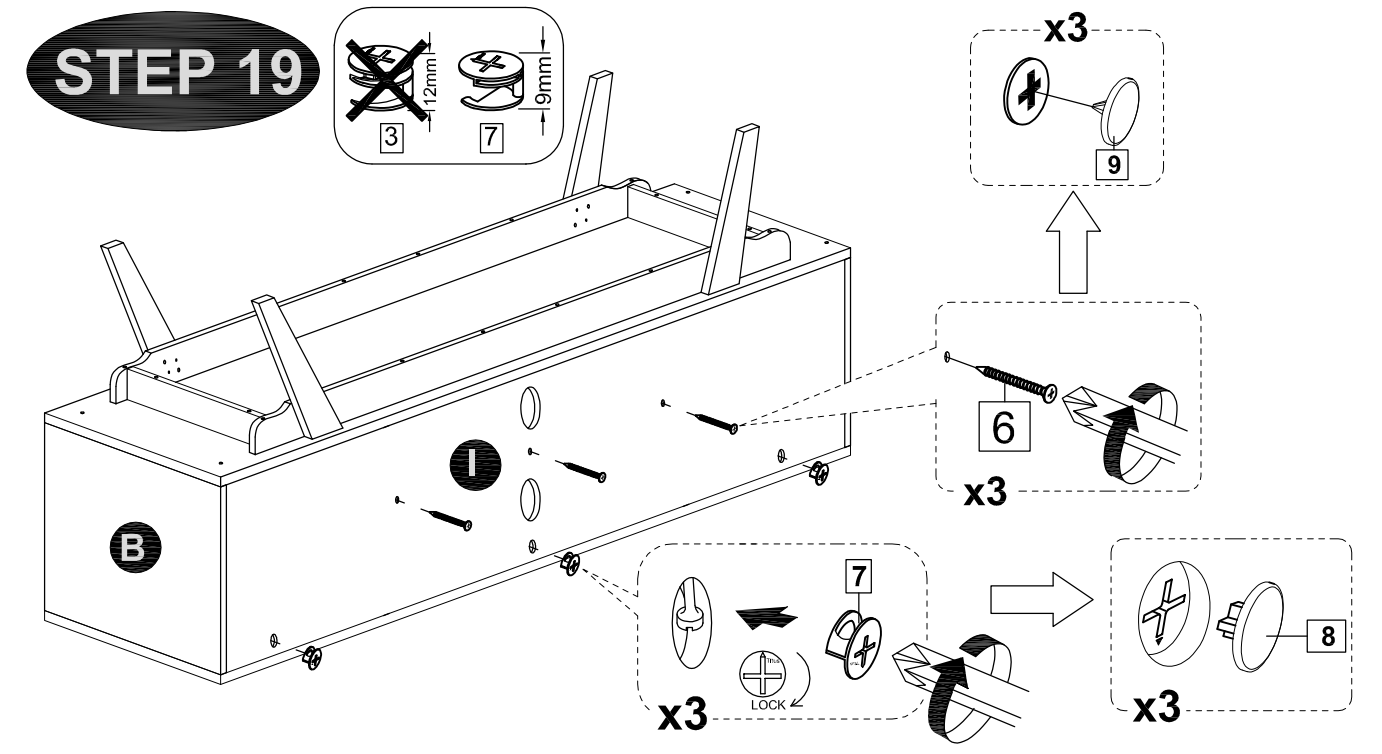
STEP 17



STEP 18

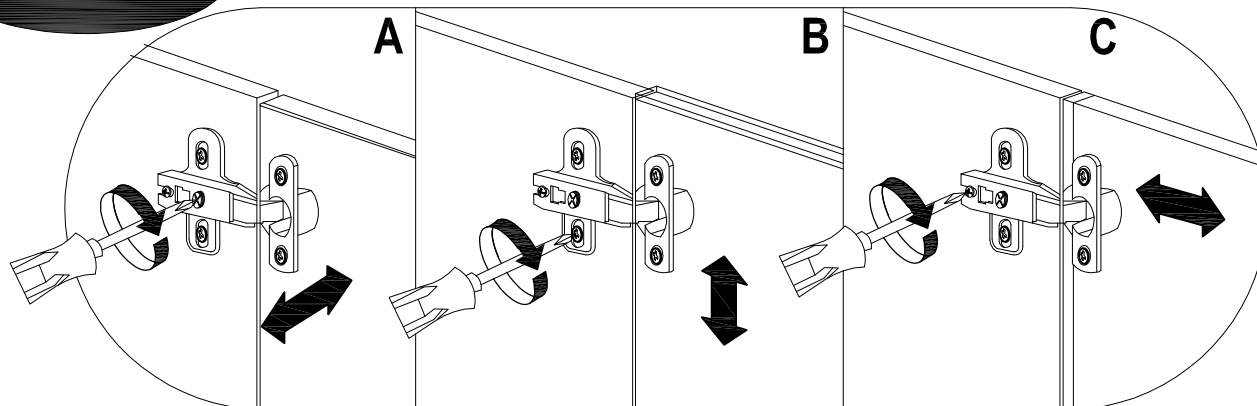


STEP 19



STEP 20

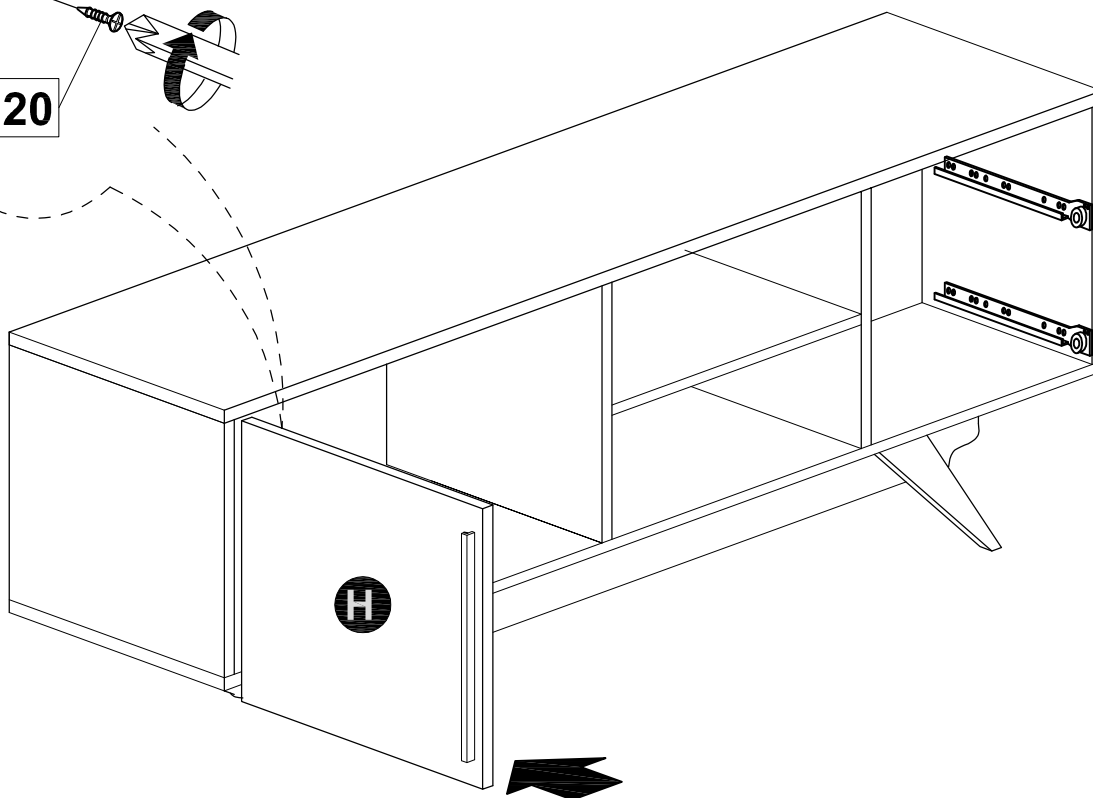
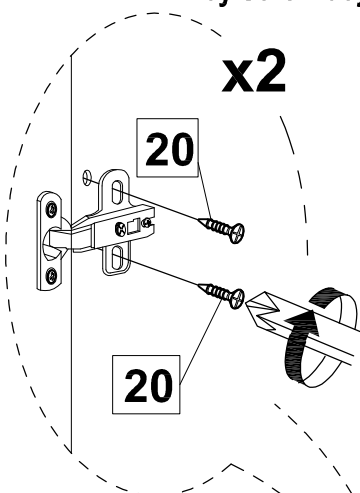
Hinge Adjustment



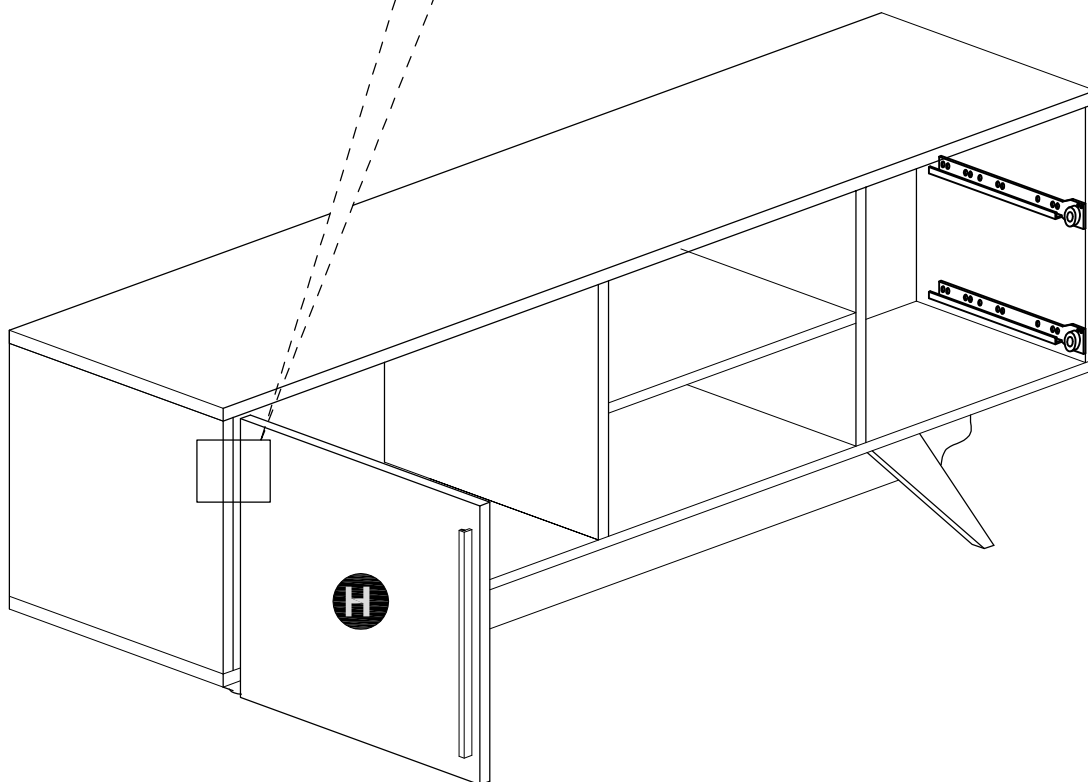
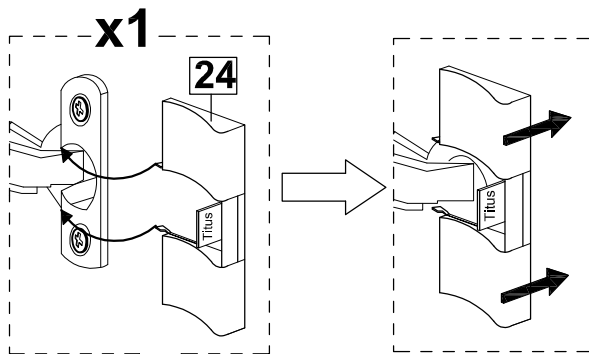
A. Lateral adjustment by screw adjusting

B. Vertical adjustment via slot in the mounting plate

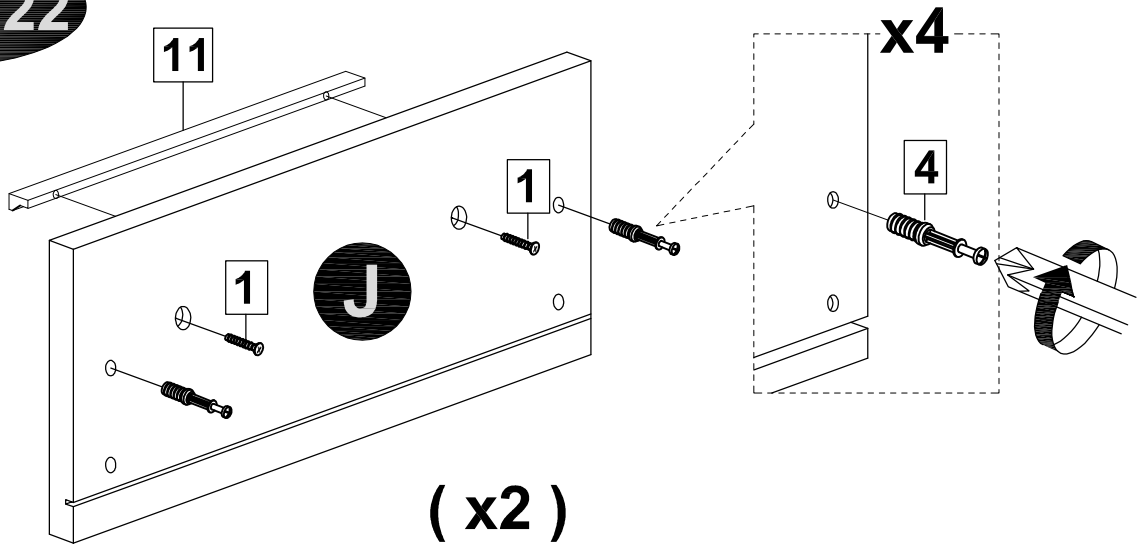
C. Front-to-Back by slacking the hinge arm mounting screw



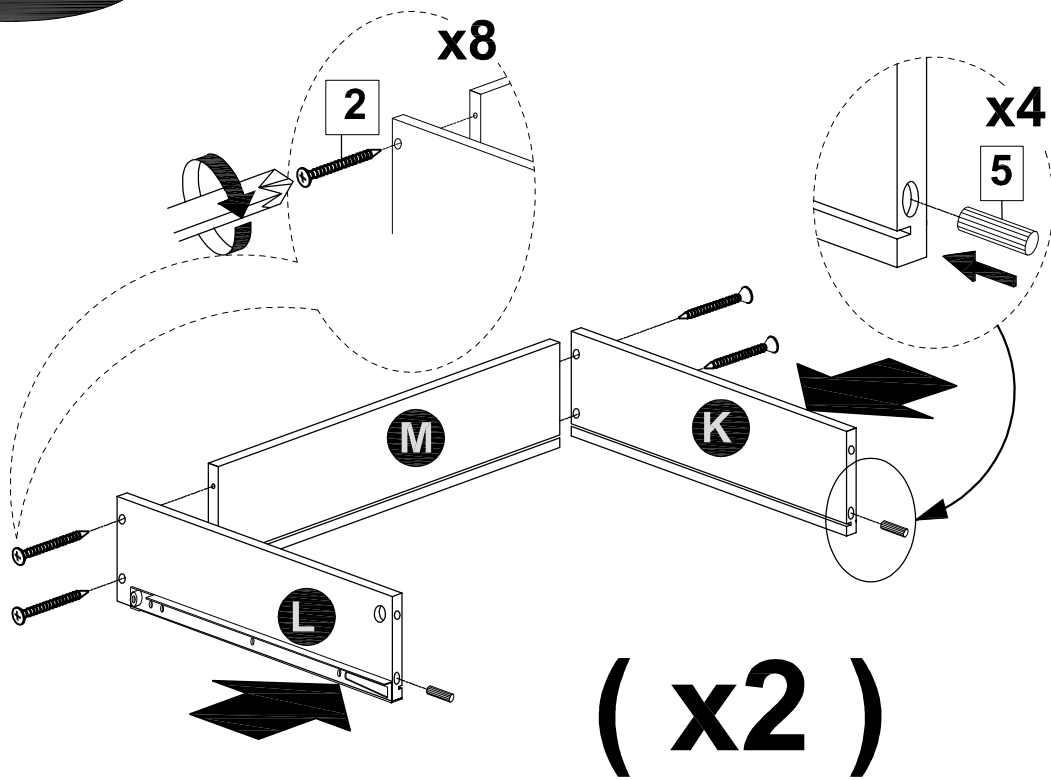
STEP 21



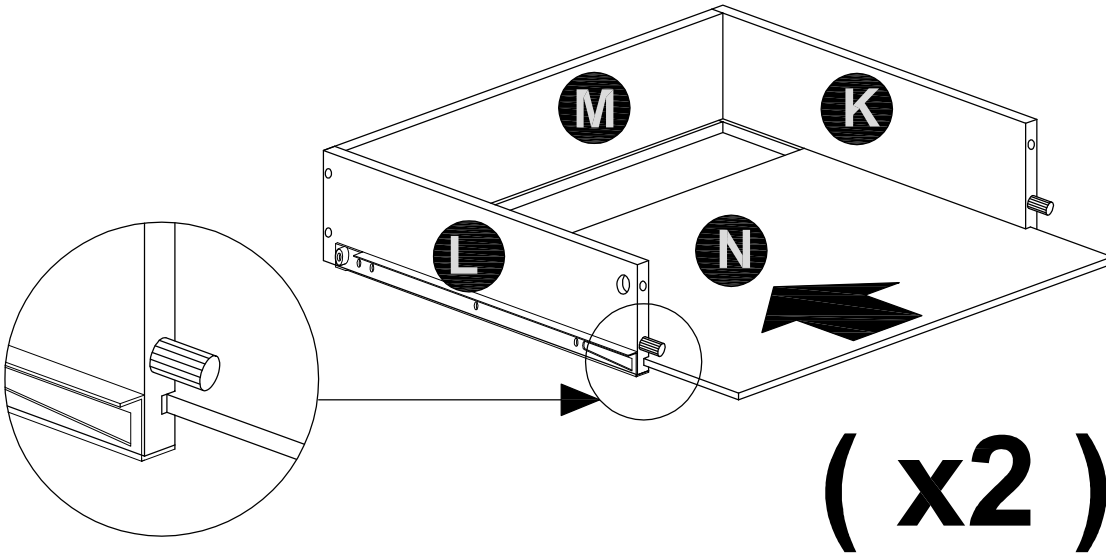
STEP 22



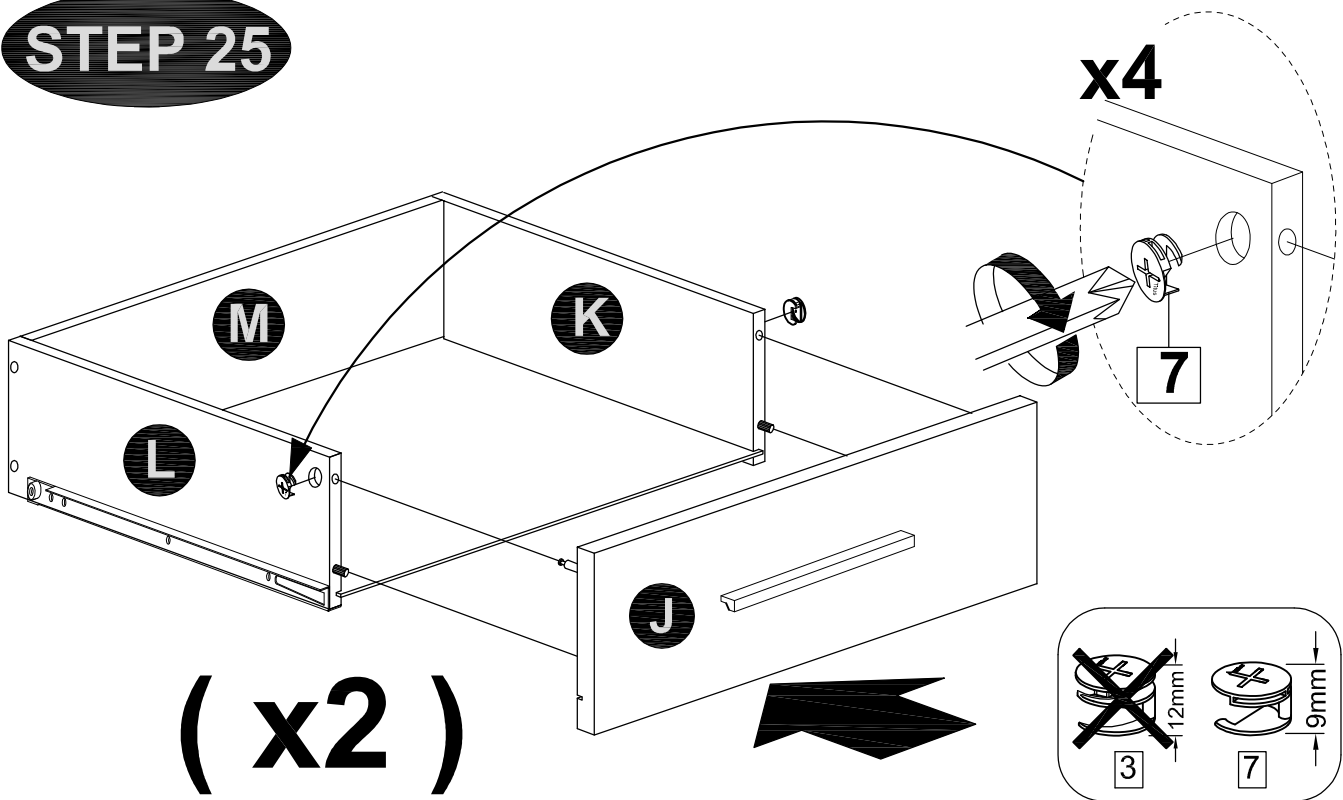
STEP 23



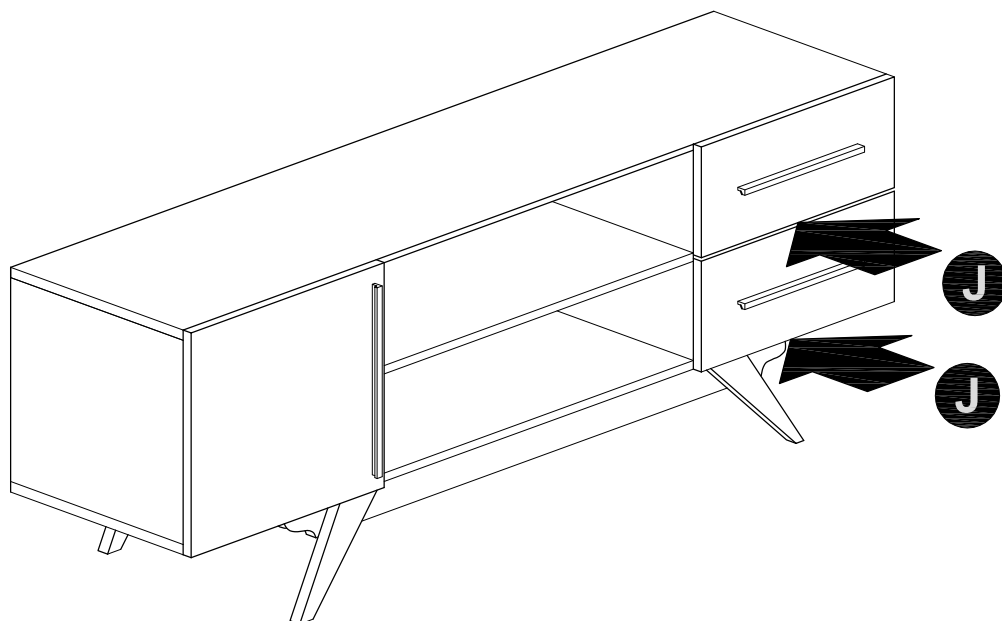
STEP 24



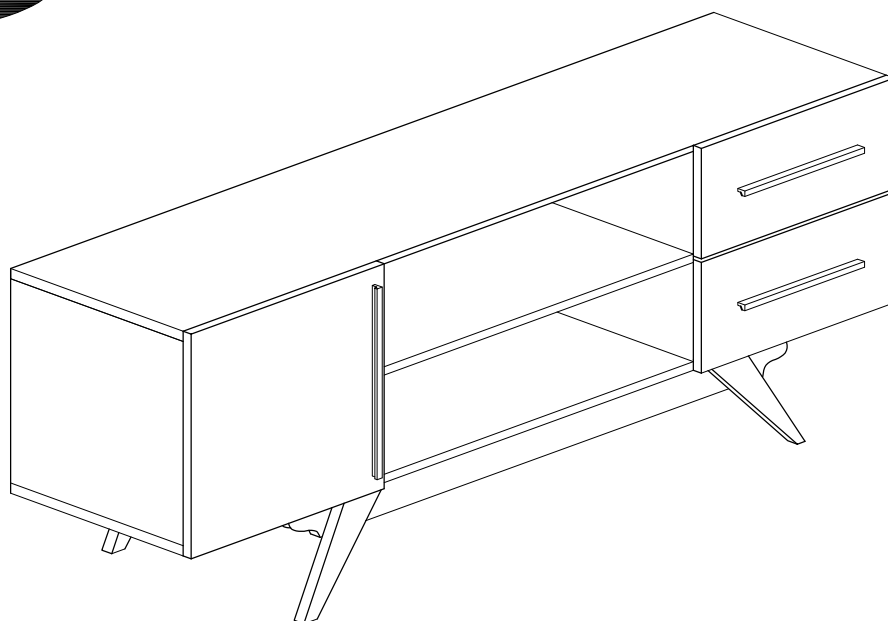
STEP 25



STEP 26



STEP 27



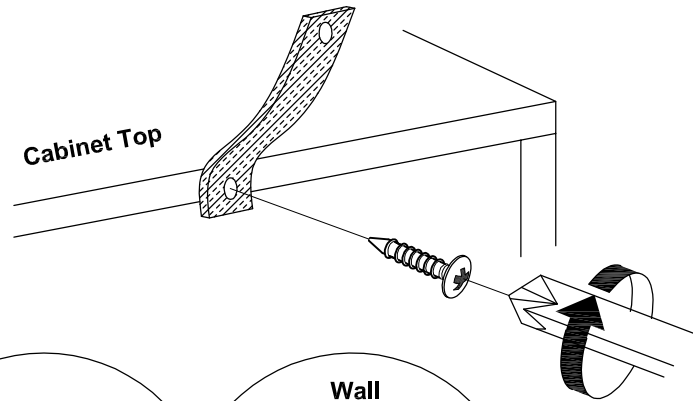
SAFETY WARNING :

It is recommended that you fit the anti-tip bracket to this item to avoid tipping and causing injury.

FITTING OF ANTI-TIP BRACKET

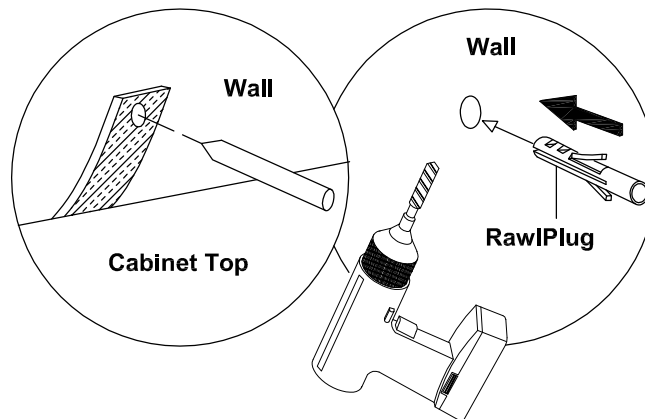
STEP 1 :

Insert screws through bracket into pre-drilled holes in cabinet.



STEP 2 :

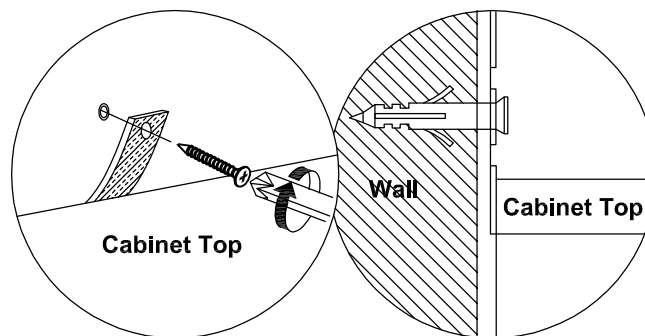
Make a mark on the wall through the bracket.



Drill a hole in the wall and insert the rawlplug.

STEP 3 :

Insert screw through bracket into hole in wall



NOTE : Wall fixings are not supplied with this product as different wall materials require different types of fixing devices (such as Rawl plugs on brick work). You must use fixing devices suitable for the type of wall you intend to mount this product to. Please ensure that the head of any screw used has a diameter greater than the diameter of the mounting hole on the bracket and that the fixing is safe and secure before use.

The screw supplied is to fix the anti-tip strap to the cabinet.

HARDWARE LIST



Anti-Tip Strap - 2pcs



M4 x 16MM - 2pcs