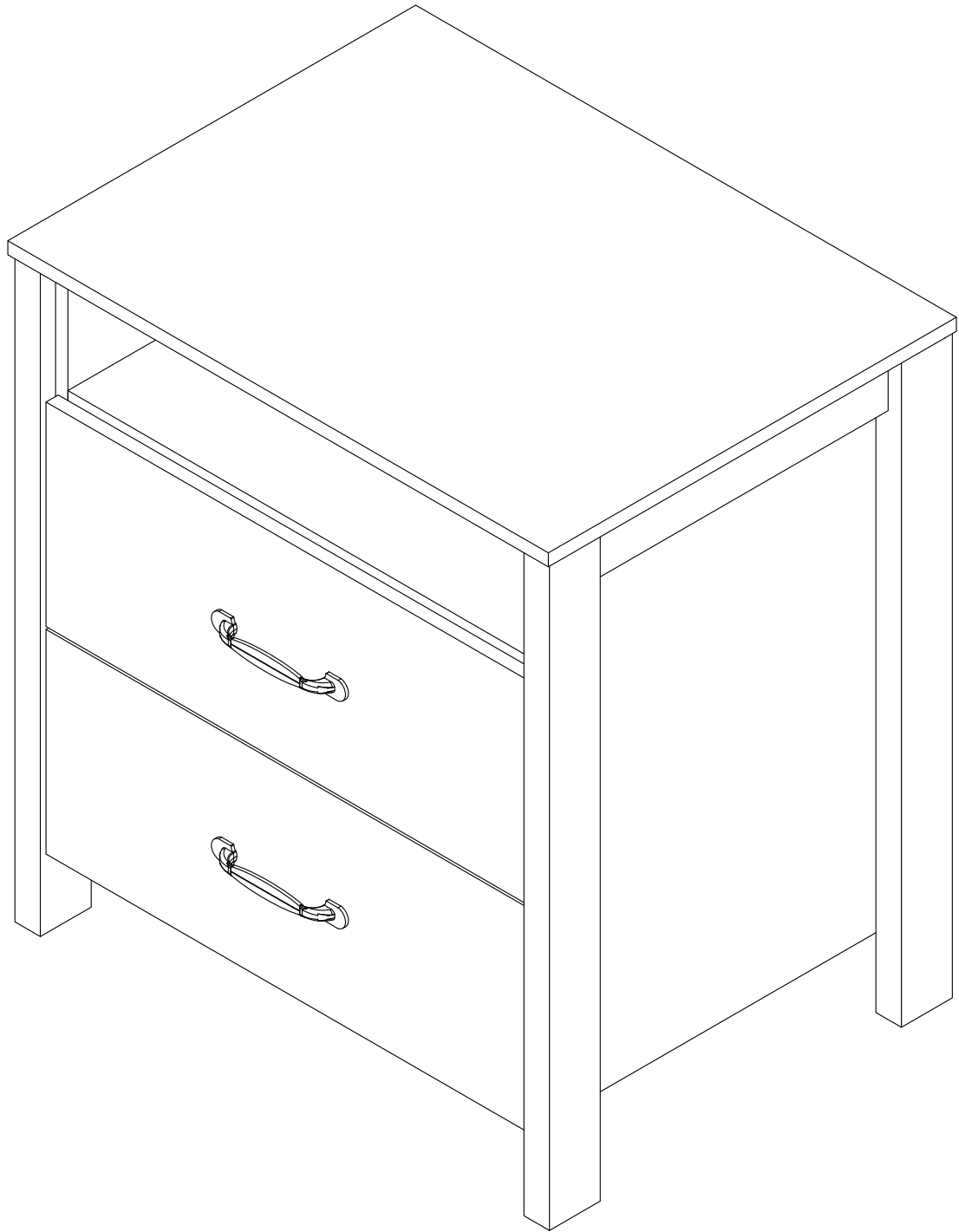
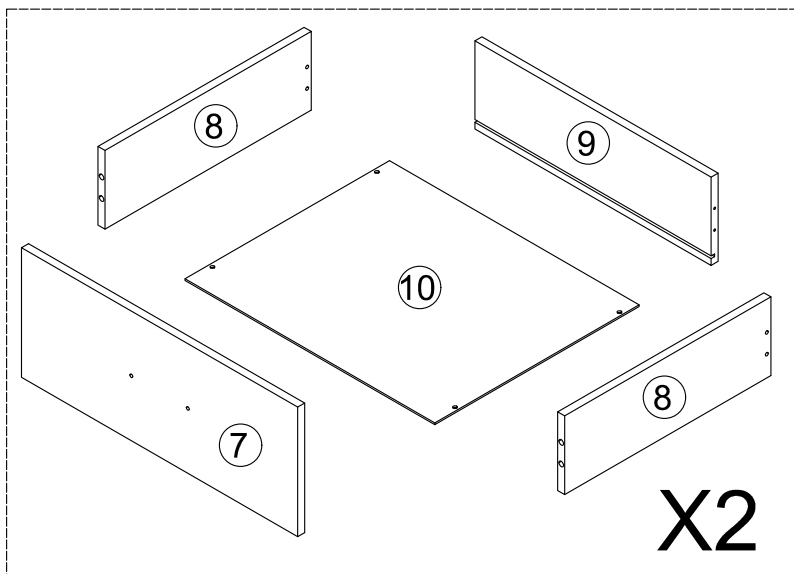
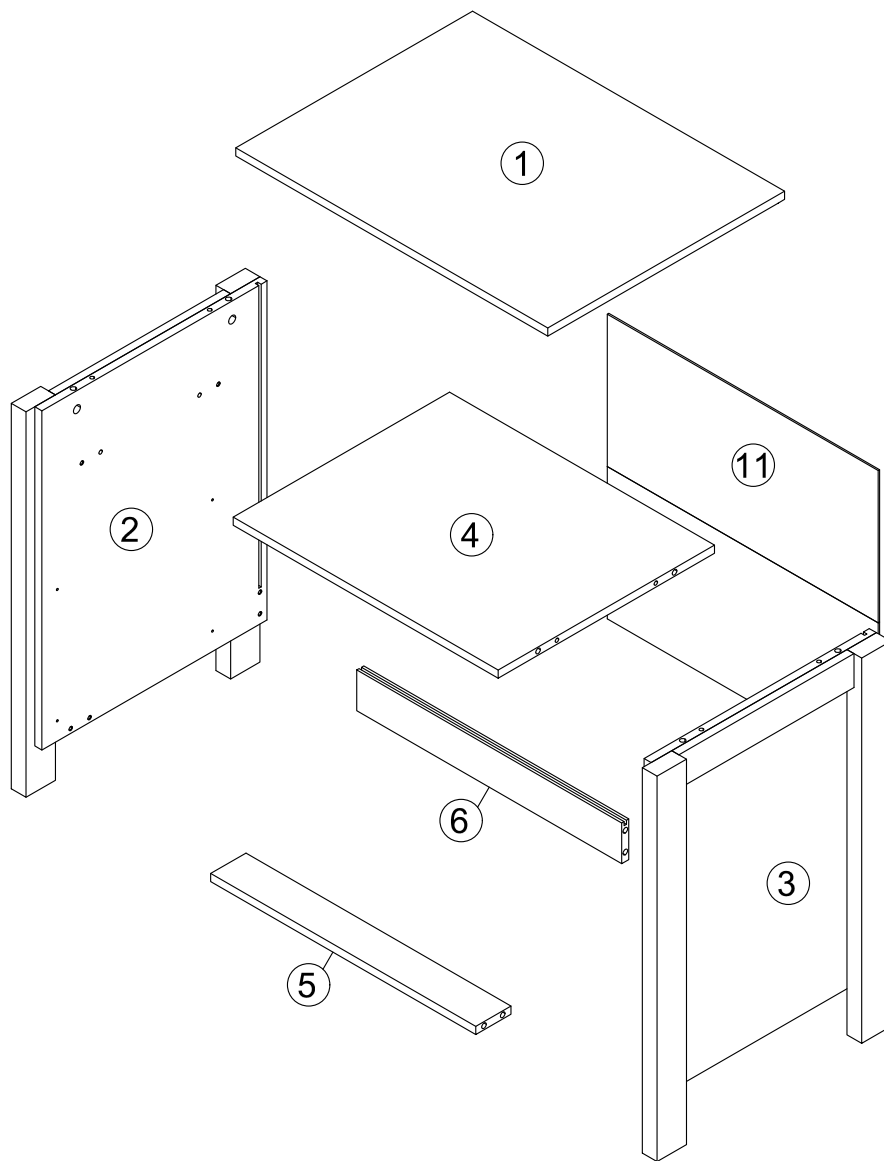





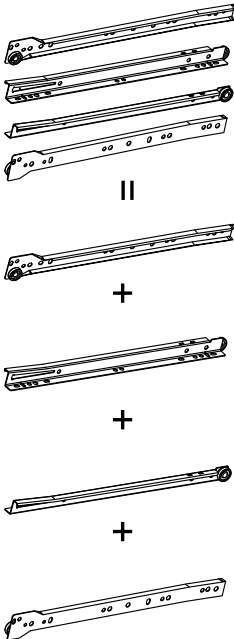

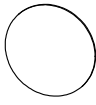


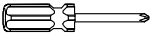
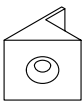

# Installation instruction



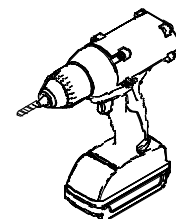
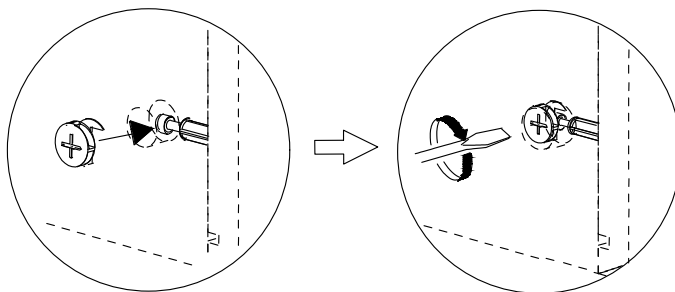
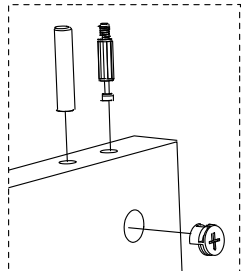
# EXPLODED DRAWING:



# PARTS:

 <p><b>A</b> X24 Ø6x35</p>	 <p><b>B</b> X8 M6x30</p>	 <p><b>C</b> X24 Ø12</p>
 <p><b>D</b> X2</p> <p>II + CL x2 + DL x2 + DR x2 + CR x2</p>	 <p><b>E</b> X16 M4x10</p>	 <p><b>F</b> X8</p>
 <p><b>G</b> X4</p>	 <p><b>H</b> X2</p> <p>H1 H2 Ø4x16mm</p>	 <p><b>I</b> X1</p>
 <p><b>J</b> X4</p> <p>M4x14mm</p>	 <p><b>K</b> X8 M4x30</p>	

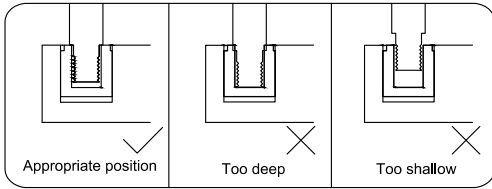
## MINIFIX POSITION





1.

**REMARK:**

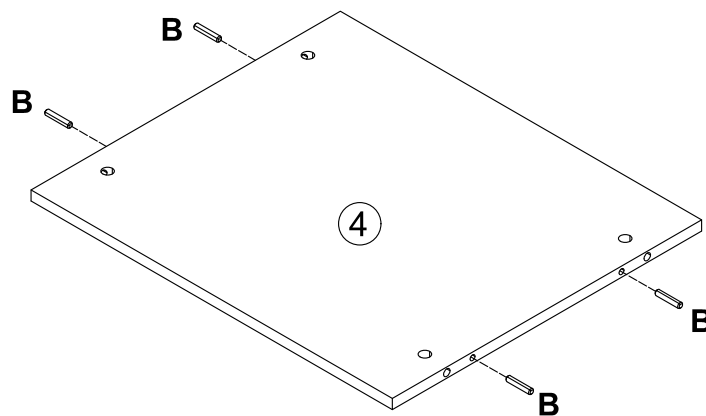
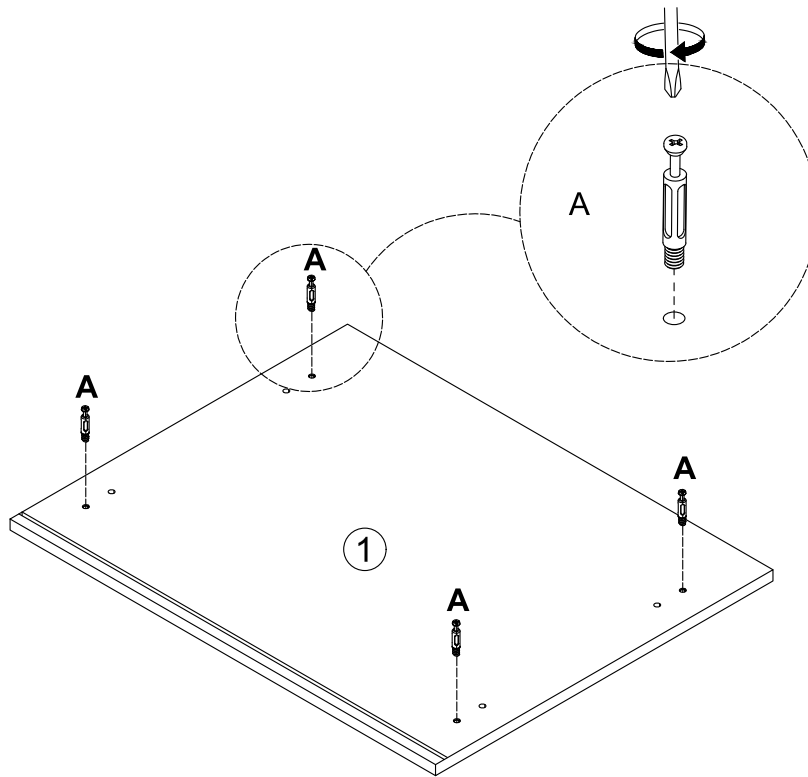
Please do not screw **A** too deep or too shallow.



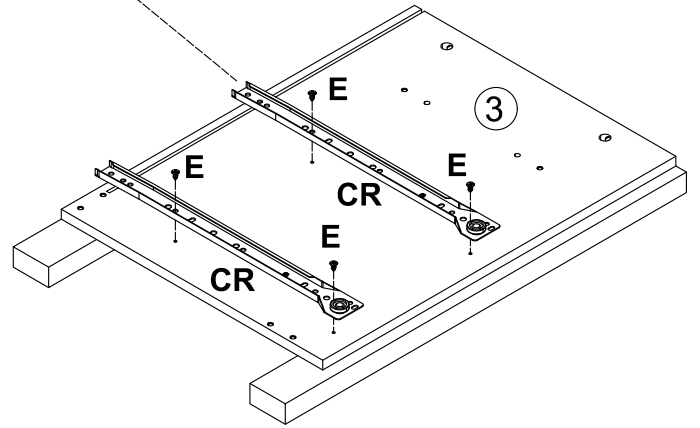
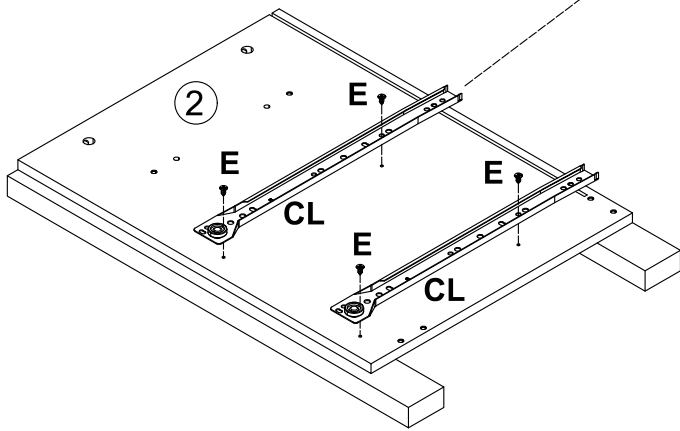
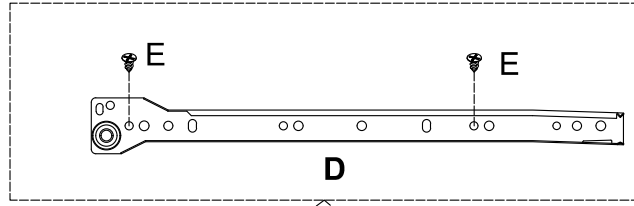
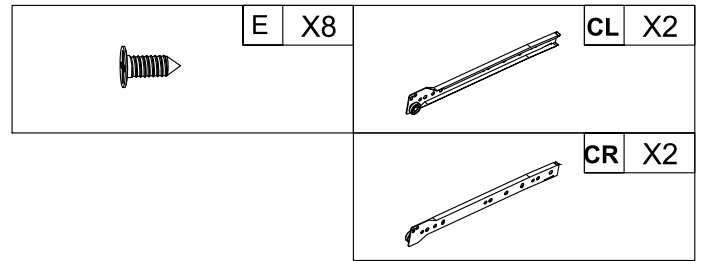
	A	X4
	B	X4

**REMARK :**

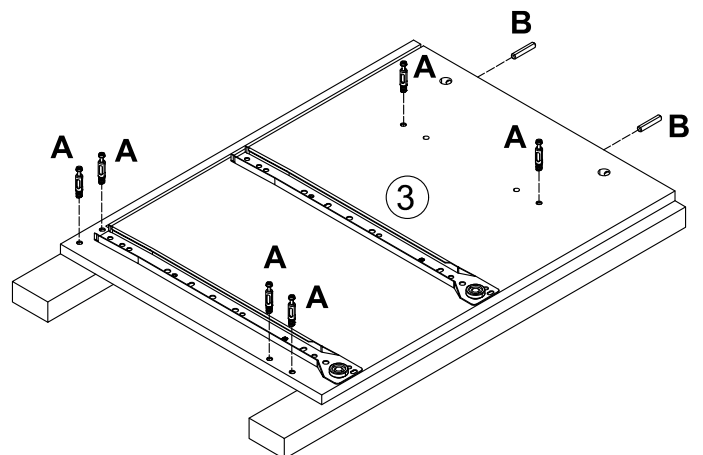
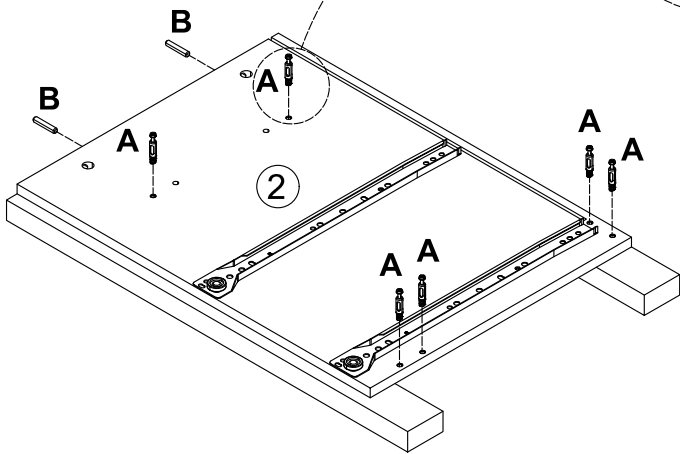
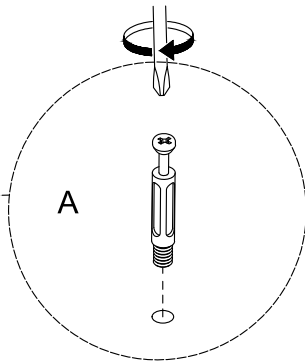
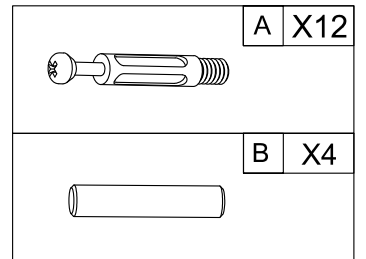
Put a blanket under the board to avoid scratch or damage.



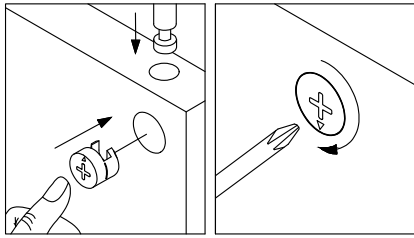
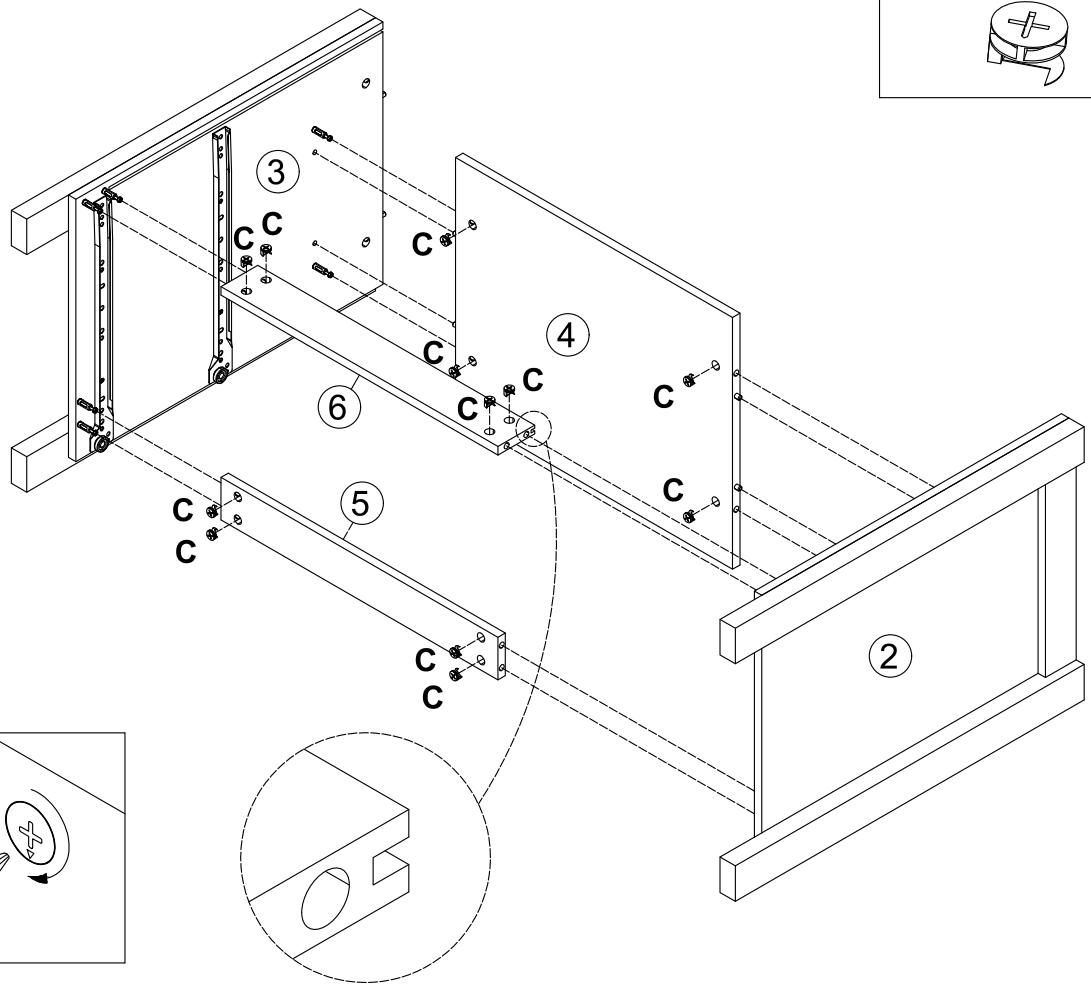
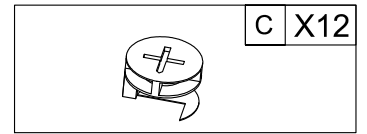
2.



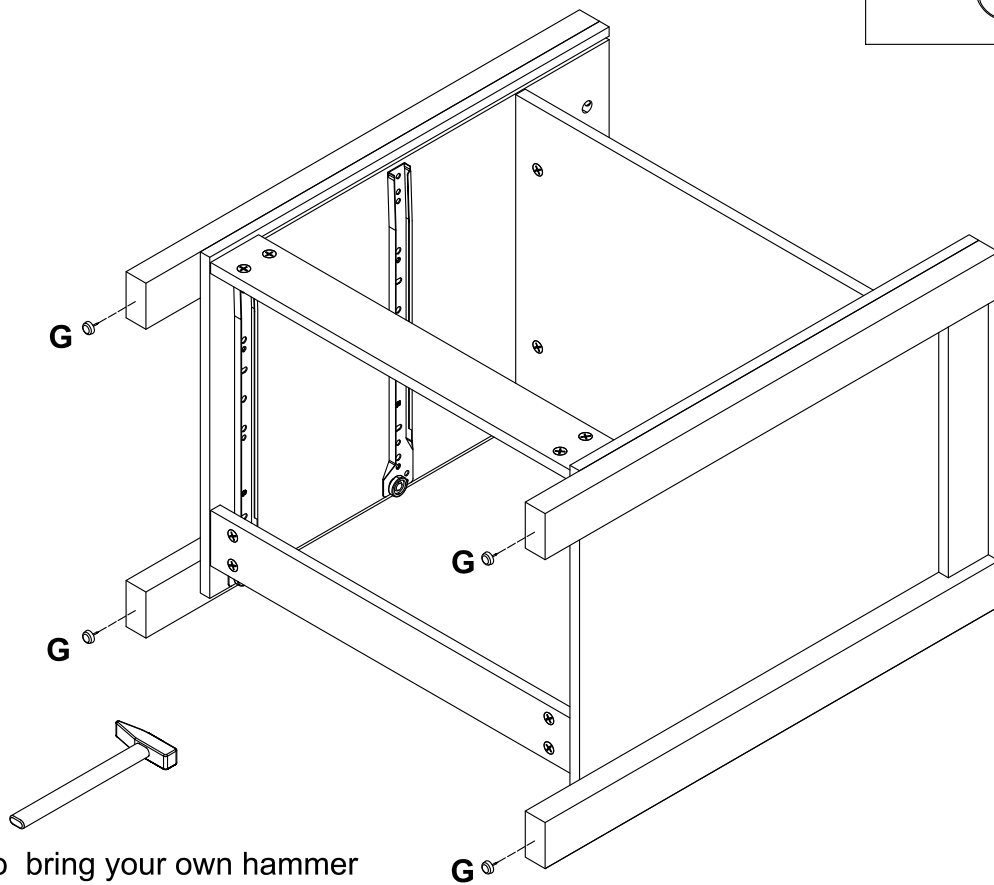
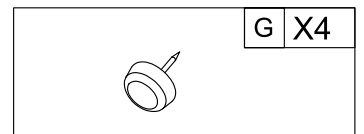
3.



4.

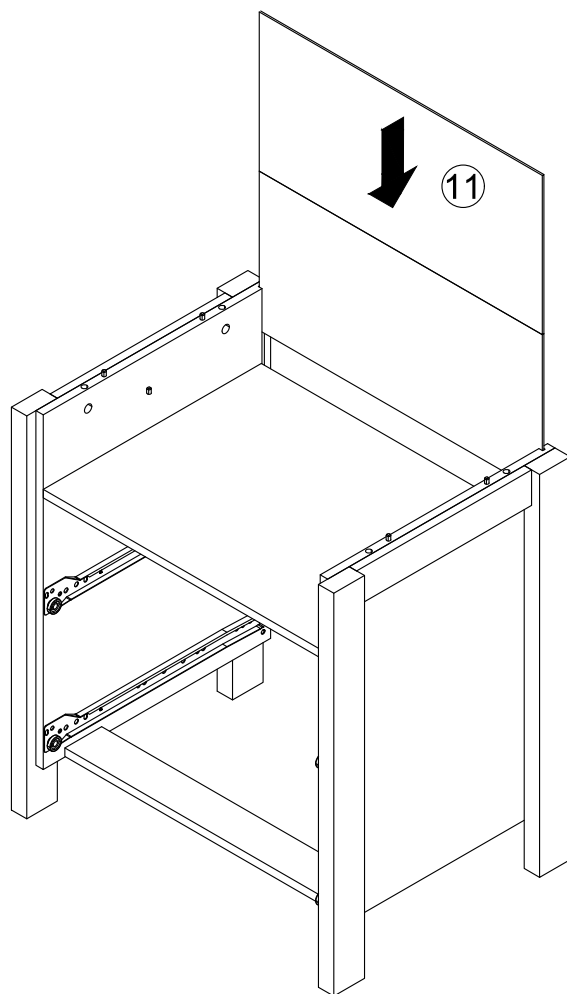


5.

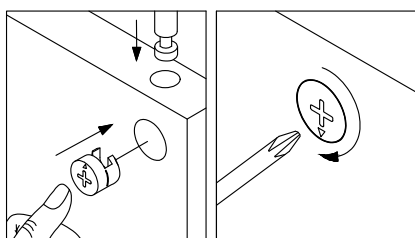
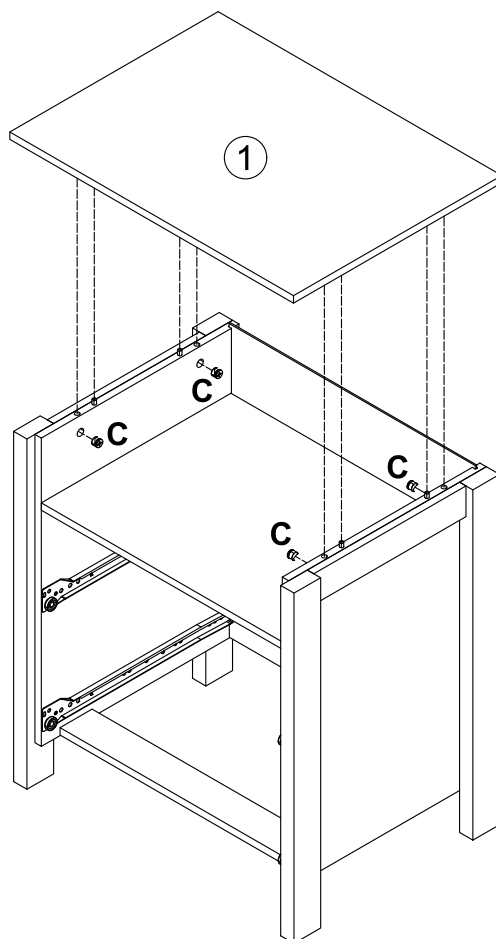
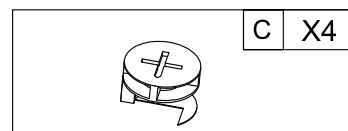


Need to bring your own hammer




6.

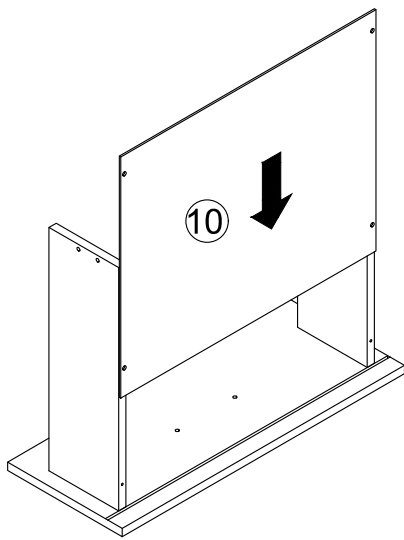
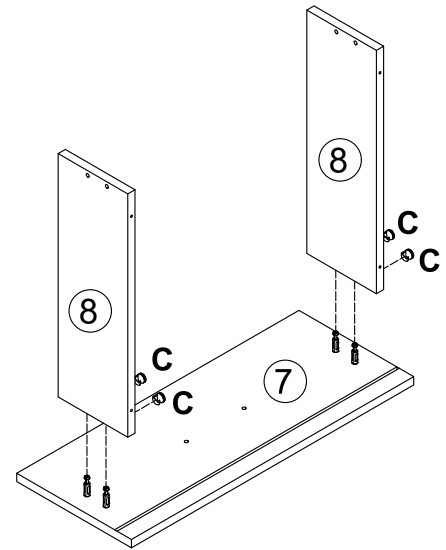
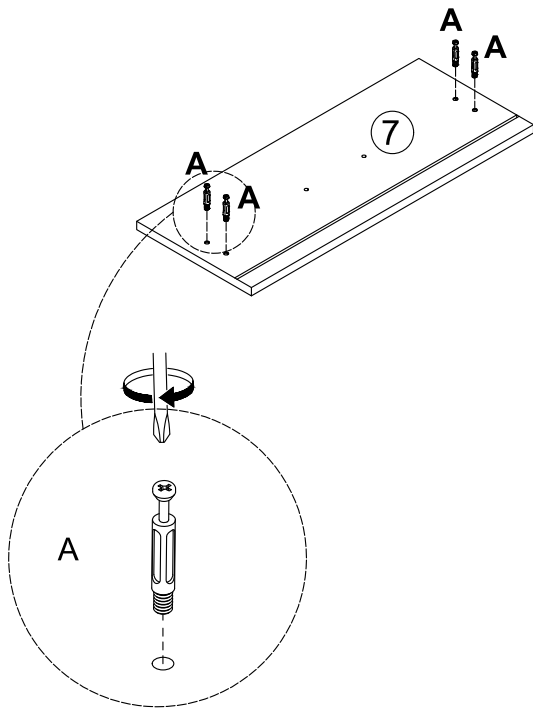


7.

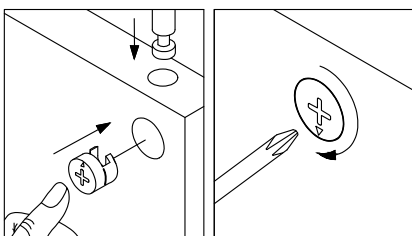
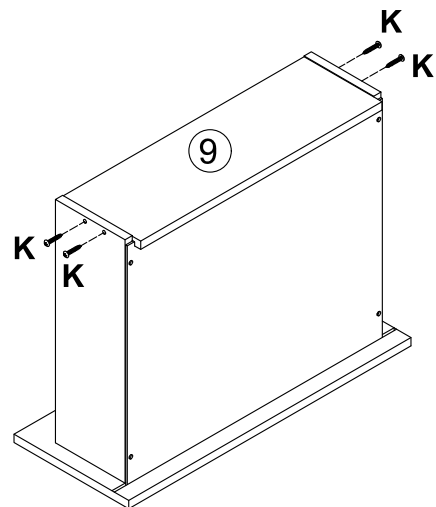


8.

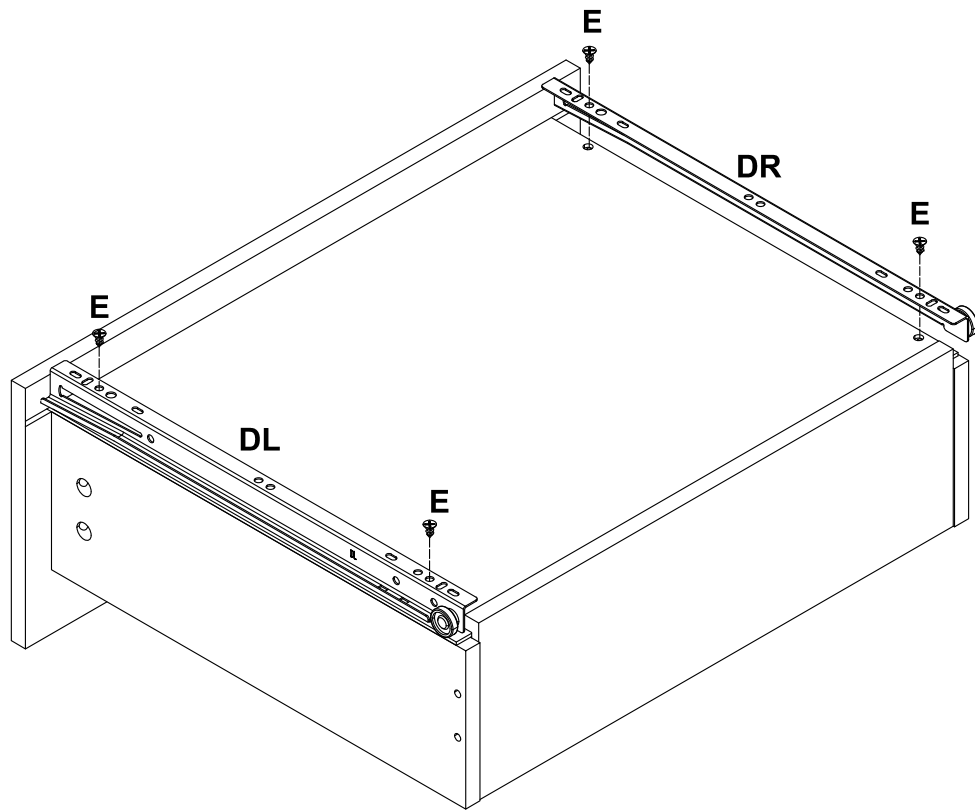
	A X8		C X8
			K X8



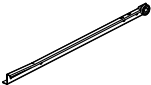


X2



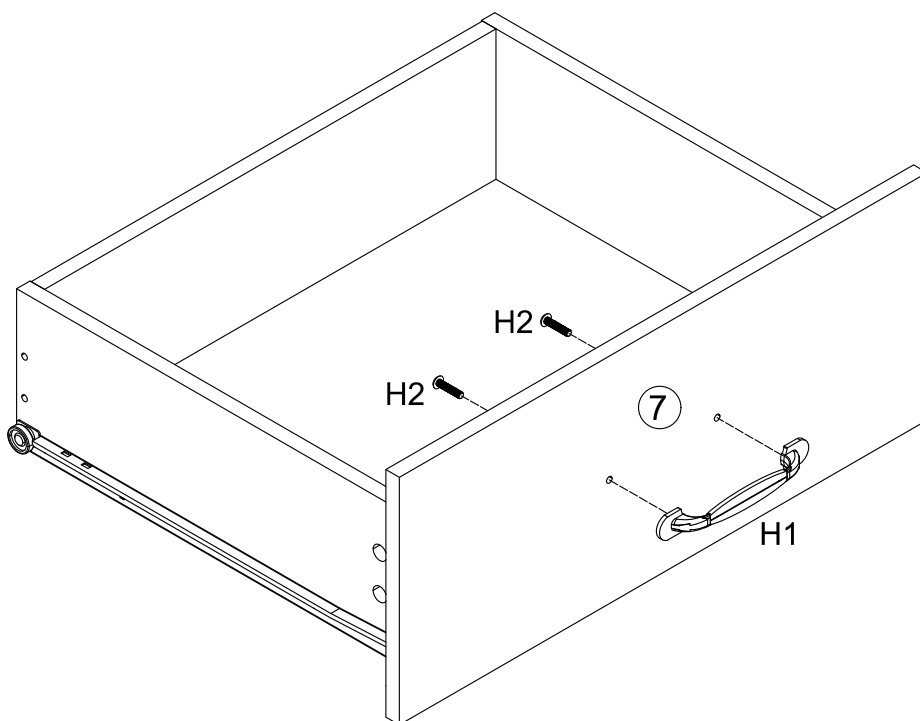
9.

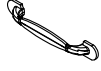



	E X8
	DL X2
	DR X2

X2

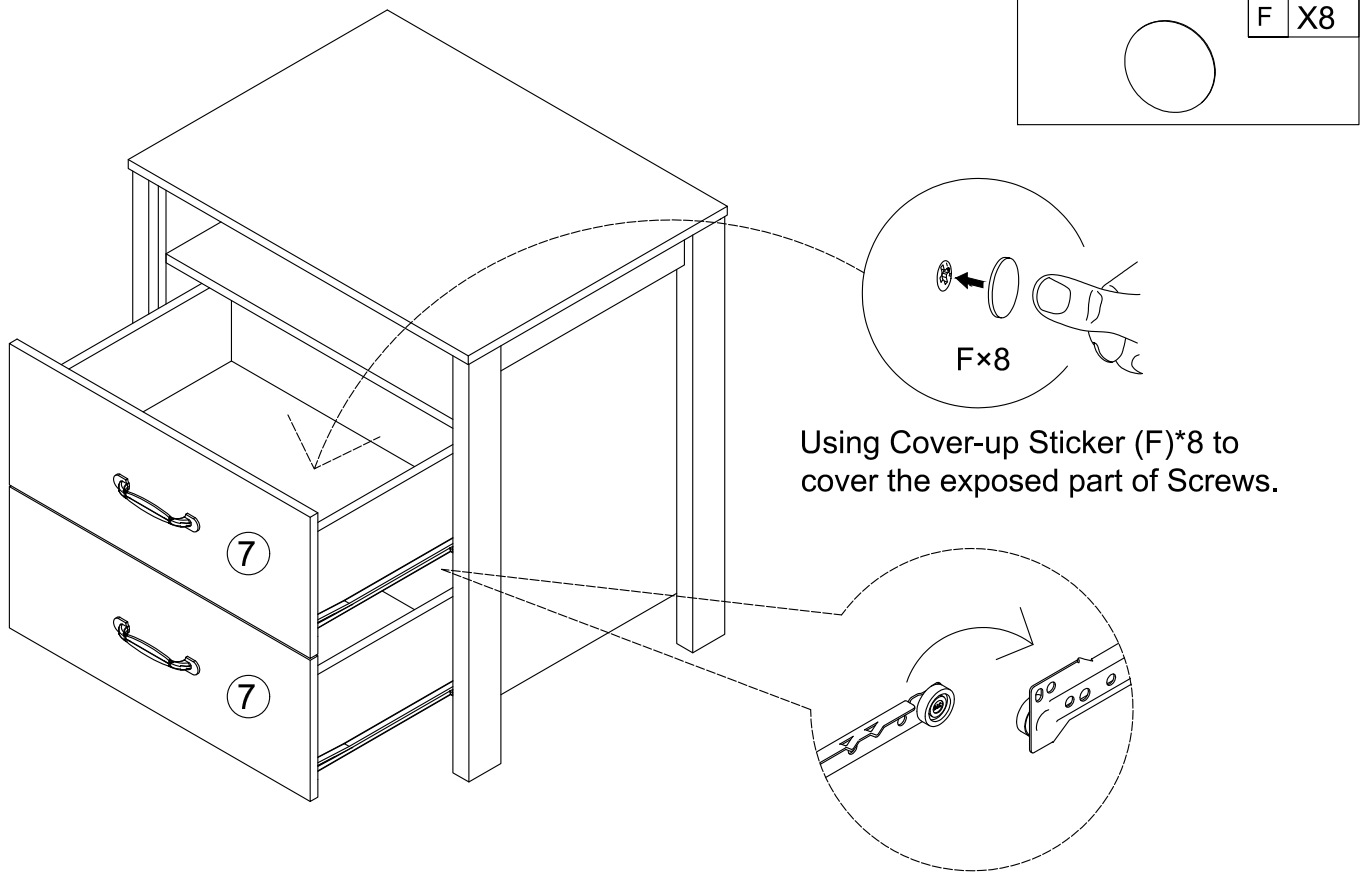
10.



		H X2
H1	H2	

X2

11.



12.

