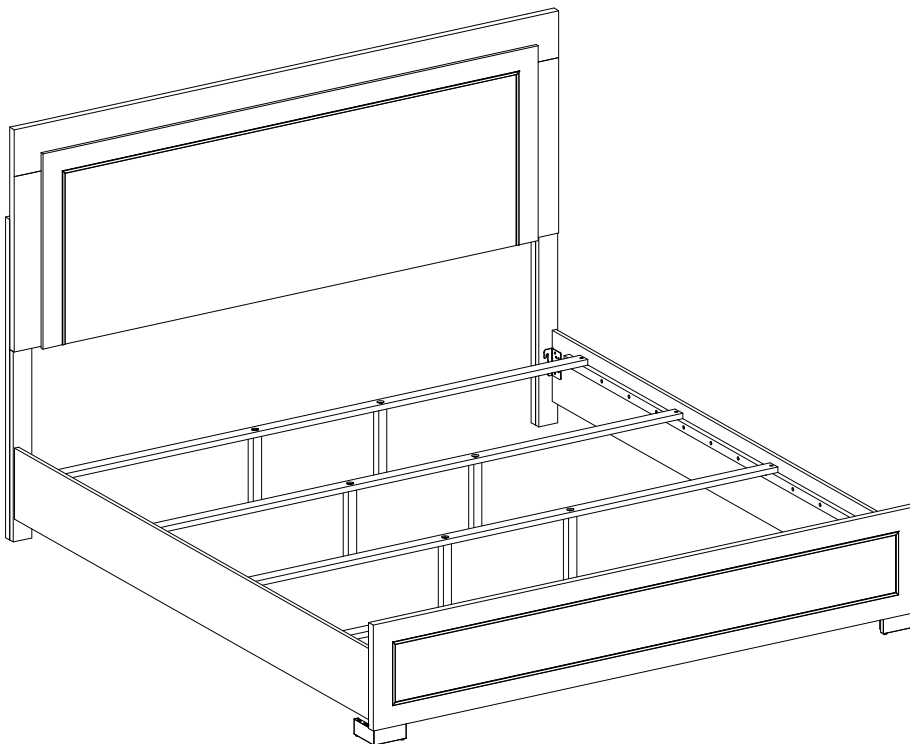


ASSEMBLY INSTRUCTIONS



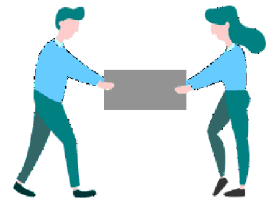
TOOLS REQUIRED



Allen Wrench
(Included)



Screwdriver
(Not Included)



2 - People

ASSEMBLY RATING



EASY ————— DIFFICULT

The Assembly Rating is a 5-point system showing the level of effort needed to assemble a specific product.



CHECK BEFORE STARTING

Are you missing anything?

Double-check all parts, hardware and accessories listed are all accounted for.

Check out our Quick Tips!

We recommend reviewing the pre-assembly handouts. Even experts need a refresher now and then!

Should we send any replacements?

Are there any irregularities or flaws in the parts? We can send replacements!

Prep Time!

Please review the assembly instructions and all diagrams prior to assembling.

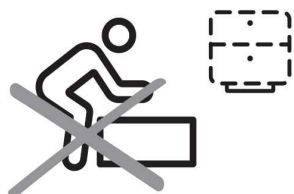
PRE ASSEMBLY INTRODUCTION

We understand building ready-to-assemble furniture can be a challenging experience for some. To help avoid confusion, we have provided some helpful tips that may speed up the process.



Teamwork

ALWAYS have at least two people to help with transporting and assembling the product to avoid potential injury and/or damage.



Suitable Location

Assembling near the area of the intended location is highly recommended.



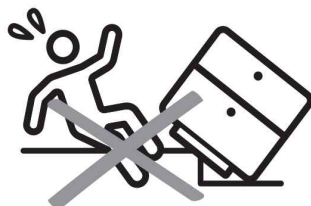
Sufficient Space

Make sure you have enough space to move around during the assembly.



Avoid Scratches

Use cardboard, blankets or a carpeted area while assembling furniture to prevent to prevent scratches and damages.



Flat Surface

Make sure the furniture rests on a flat and level surface with each leg evenly touching the floor.

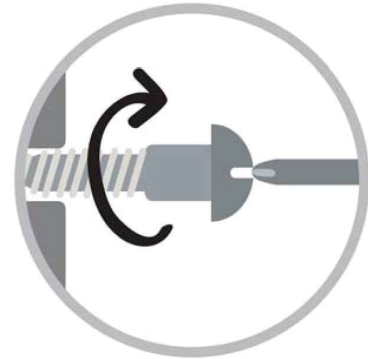
ASSEMBLY AND CARE ADVICE



FAILURE TO FOLLOW THE GUIDELINES BELOW MAY RESULT IN INJURY AND/OR PROPERTY DAMAGE.



Position each part correctly and insert screws or bolts into their respective holes.



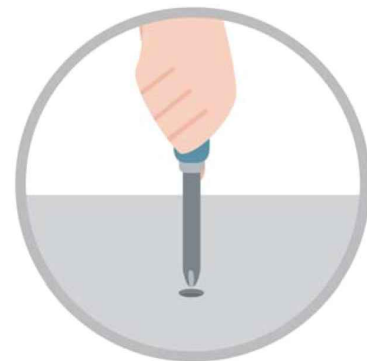
Turn clockwise to tighten and only tighten when step is completed or when instructed to do so.



Use the appropriate hand tools or power tools for assembly. Select steps, such as tightening screws and/or bolts, may require hand tools to avoid causing damage during assembly.



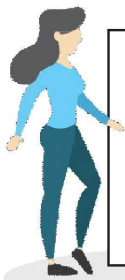
Save the instructions and store any supplied tools for later maintenance.



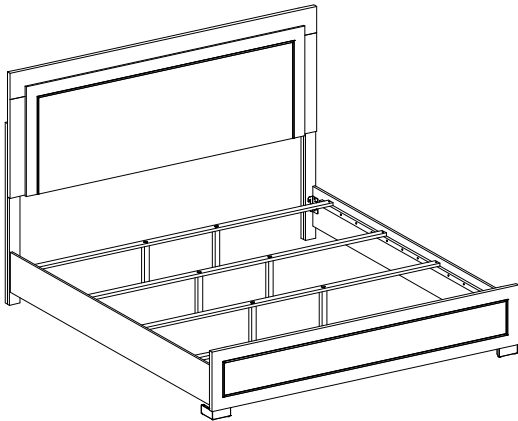
After two weeks, check and tighten any loose hardware and repeat again every six months thereafter.

IT IS THE USER'S RESPONSIBILITY TO MAINTAIN THE FURNITURE. THE HARDWARE MAY LOOSEN OVER TIME AND MAY CAUSE THE FURNITURE TO BE WOBBLY AND UNABLE TO SUPPORT ITS INTENDED WEIGHT CAPACITY. THIS MAY LEAD TO COLLAPSE AND MAY CAUSE SERIOUS INJURY.

ESTERN KING SIZE BED

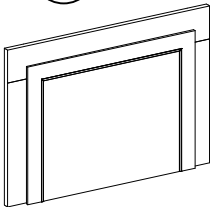


- Please keep instructions for future reference.
- Check the quantity and irregularity of parts and hardware before you start.



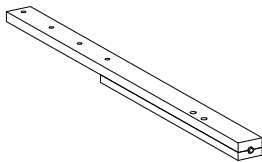
PARTS

1 1pc



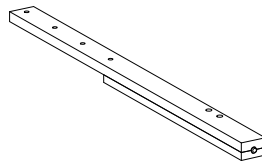
HEADBOARD

2 1pc



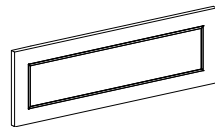
HEADBOARD LEG - L

3 1pc



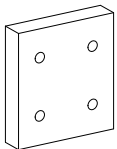
HEADBOARD LEG - R

4 1pc



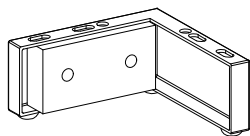
FOOTBOARD

5 2pcs



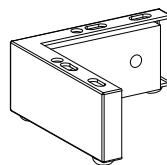
FOOTBOARD SUPPORT

6 1pc



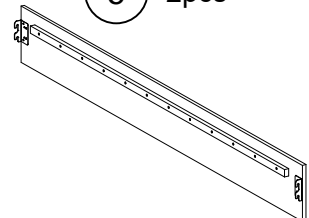
FOOTBOARD LEG - L

7 1pc



FOOTBOARD LEG - R

8 2pcs



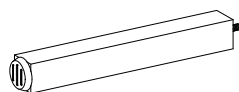
SIDE RAIL

9 4pcs



BED SLAT

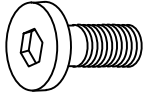
10 8pcs



SLAT SUPPORT

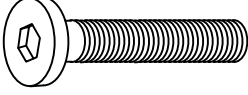
HARDWARE

(A) 8pcs



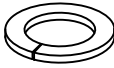
BOLT M8 x 16MM

(B) 8pcs



BOLT M8 x 40MM

(C) 8pcs



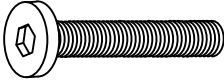
LOCK WASHER M8

(D) 8pcs



FLAT WASHER M8

(E) 8pcs



BOLT M6 x 35MM

(F) 8pcs



LOCK WASHER M6

(G) 8pcs



FLAT WASHER M6

(H) 1pc



ALLEN KEY M5

(I) 1pc



ALLEN KEY M4

(J) 8pcs



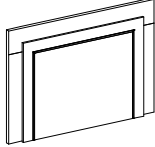

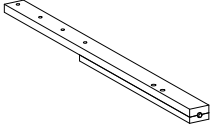
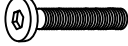
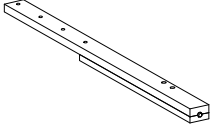

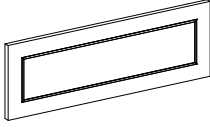

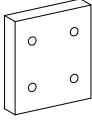

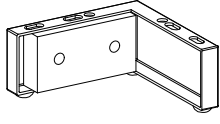

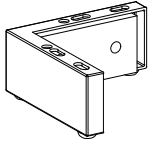



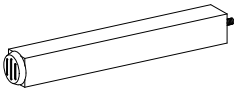

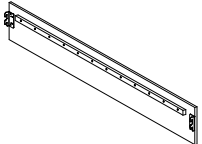
CSK SCREW M4 x 32MM

(K) 1pc



ADAPTOR

packed in 2 cartons

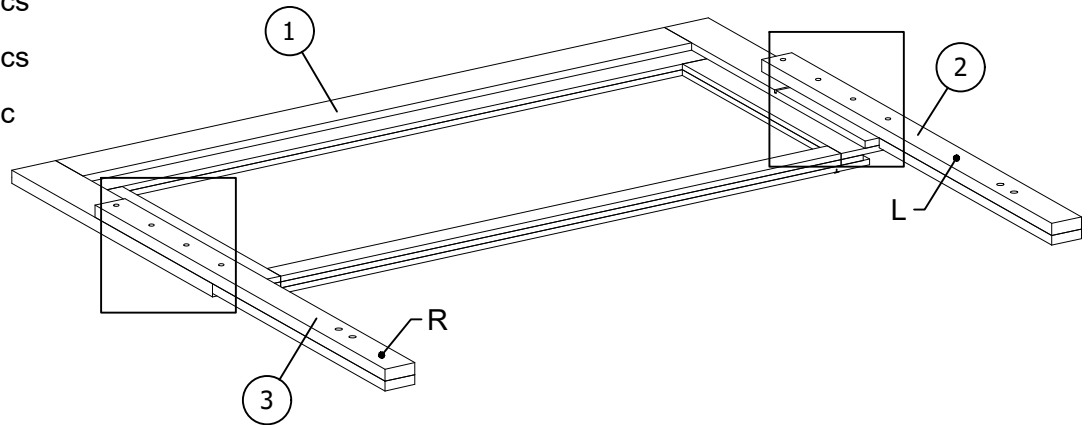
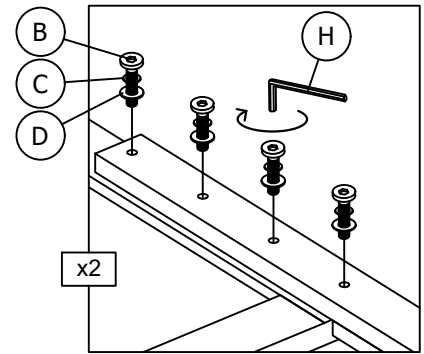
Carton	Designation			Hardware	
	King Size Headboard	1			A x 8pcs
	Headboard Leg-L	1			B x 8pcs
	Headboard Leg-R	1			C x 8pcs
	Footboard	1			D x 8pcs
	Footboard Support	2			E x 8pcs
	Footboard Leg-L	1			F x 8pcs
	Footboard Leg-R	1			G x 8pcs
	Slat	4			H x 1pc
	Slat Support	8			I x 1pc
		King Size Side Rails	2		

ASSEMBLY INSTRUCTIONS

1

Align the headboard post (#2L,#3R) to the headboard (#1). Use allen key (#H) to attach headboard post (#2L,#3R) to the headboard (#1) by using screw assembly of screw (#B) with lock washer (#C) and flat washer (#D).

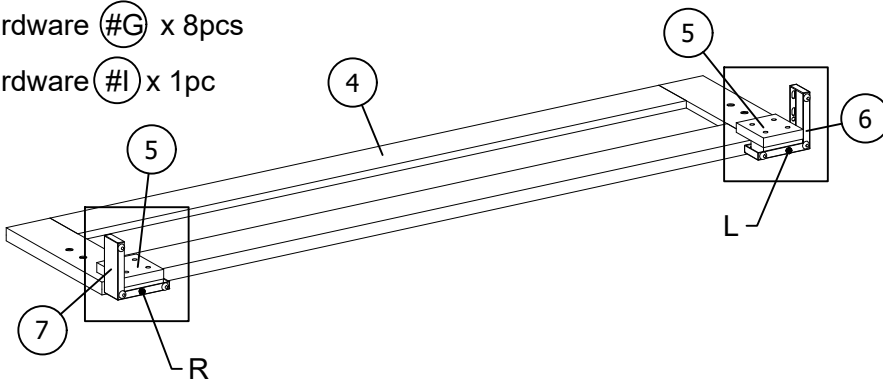
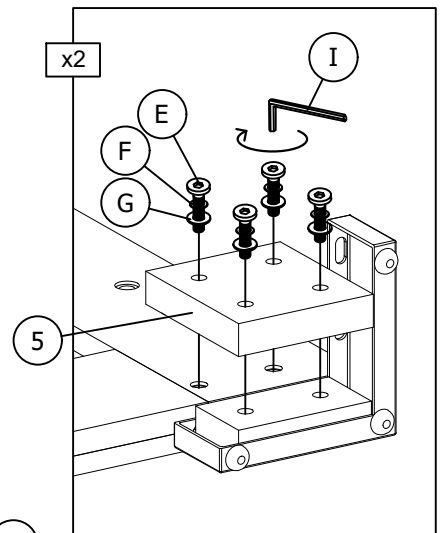
- Part (#1) x 1pc
- Part (#2) x 1pc
- Part (#3) x 1pc
- Hardware (#B) x 8pcs
- Hardware (#C) x 8pcs
- Hardware (#D) x 8pcs
- Hardware (#H) x 1pc



2

Align footboard leg (#6L,7R) to the footboard (#4) as shown in the diagram. Use allen key (#I) to secure the footboard support (#5) to the footboard by using screw (#E) with lock washer (#F) and flat washer (#G).

- Part (#4) x 1pc
- Part (#5) x 2pcs
- Part (#6) x 1pc
- Part (#7) x 1pc
- Hardware (#E) x 8pcs
- Hardware (#F) x 8pcs
- Hardware (#G) x 8pcs
- Hardware (#I) x 1pc



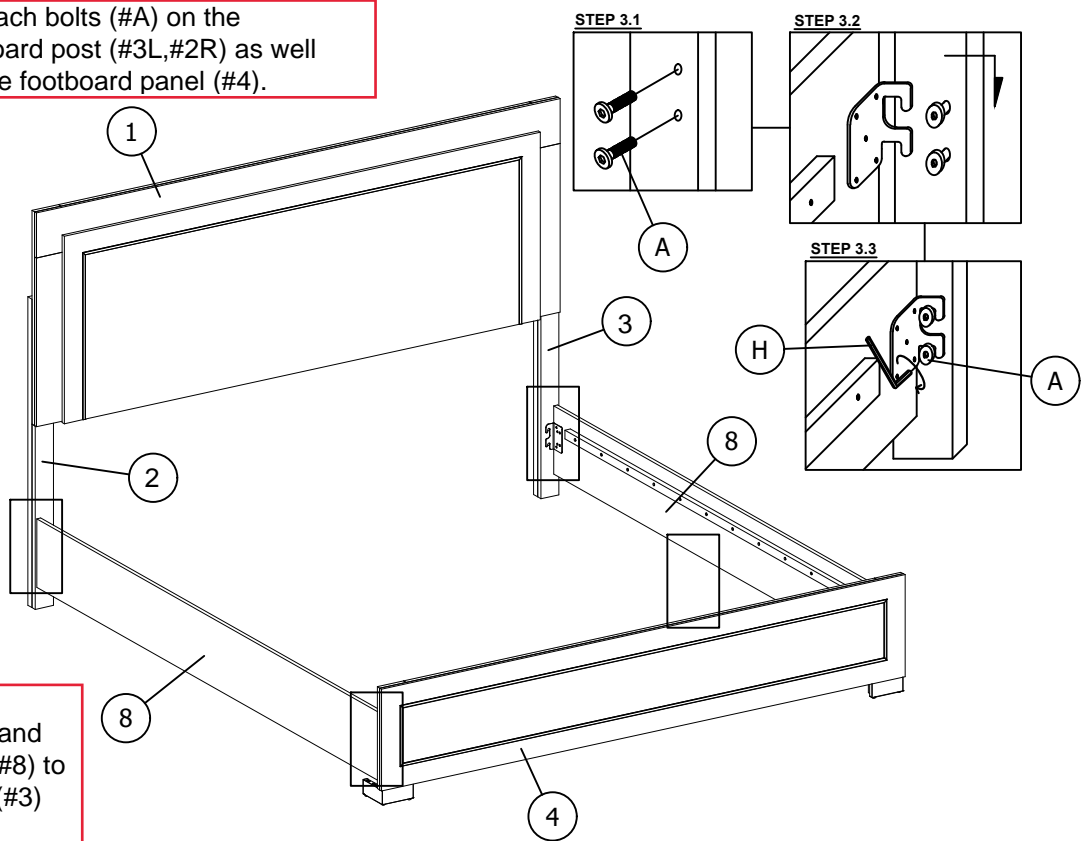
ASSEMBLY INSTRUCTIONS

3

- Part (#1) x 1pc
- Part (#2) x 1pc
- Part (#3) x 1pc
- Part (#4) x 1pc
- Part (#8) x 2pcs
- Hardware (#A) x 8pcs
- Hardware (#H) x 1pc

3-2 Hook screw plate attached on the side rail (#8) onto bolt (#A).

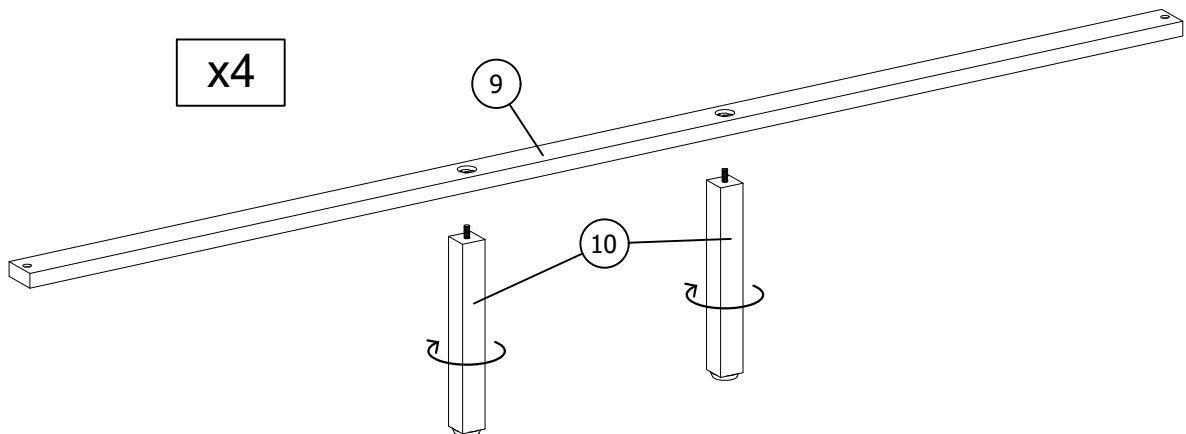
3-3 Use allen key to tighten the bolt (#A) and secure the side rail (#8) to the headboard post (#3) and footboard (#4).



4

- Part (#9) x 4pcs
- Part (#10) x 8pcs

Attach the slat support (#10) to the center of the bed slat (#9).



ASSEMBLY INSTRUCTIONS

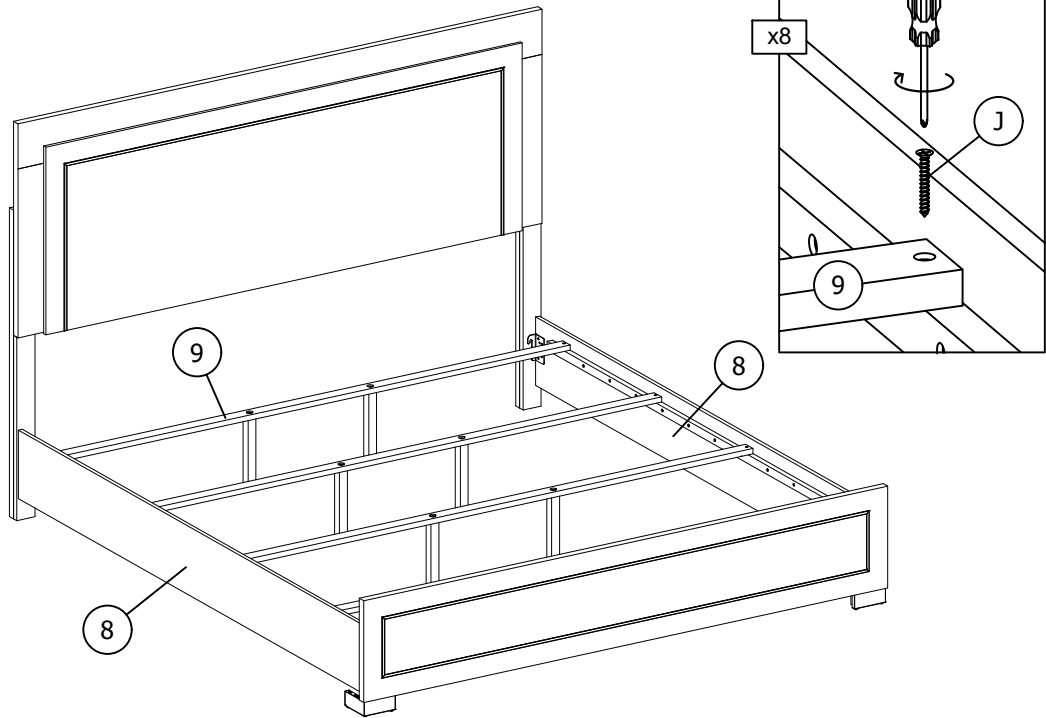
Extend the slats (#9) over the side rail (#8) and secure by using screw (#J). Tighten with screwdriver (not included).

5

Part (#8) x 2pcs

Part (#9) x 4pcs

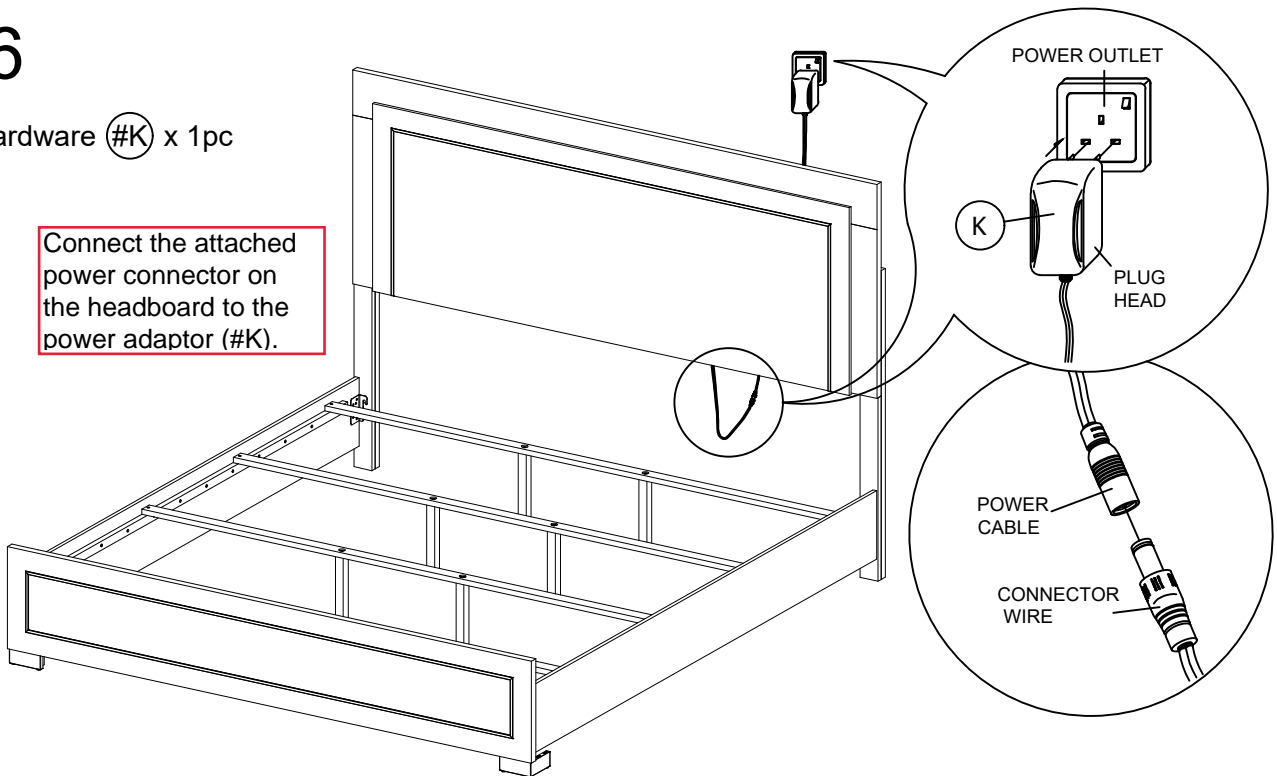
Hardware (#J) x 8pcs



6

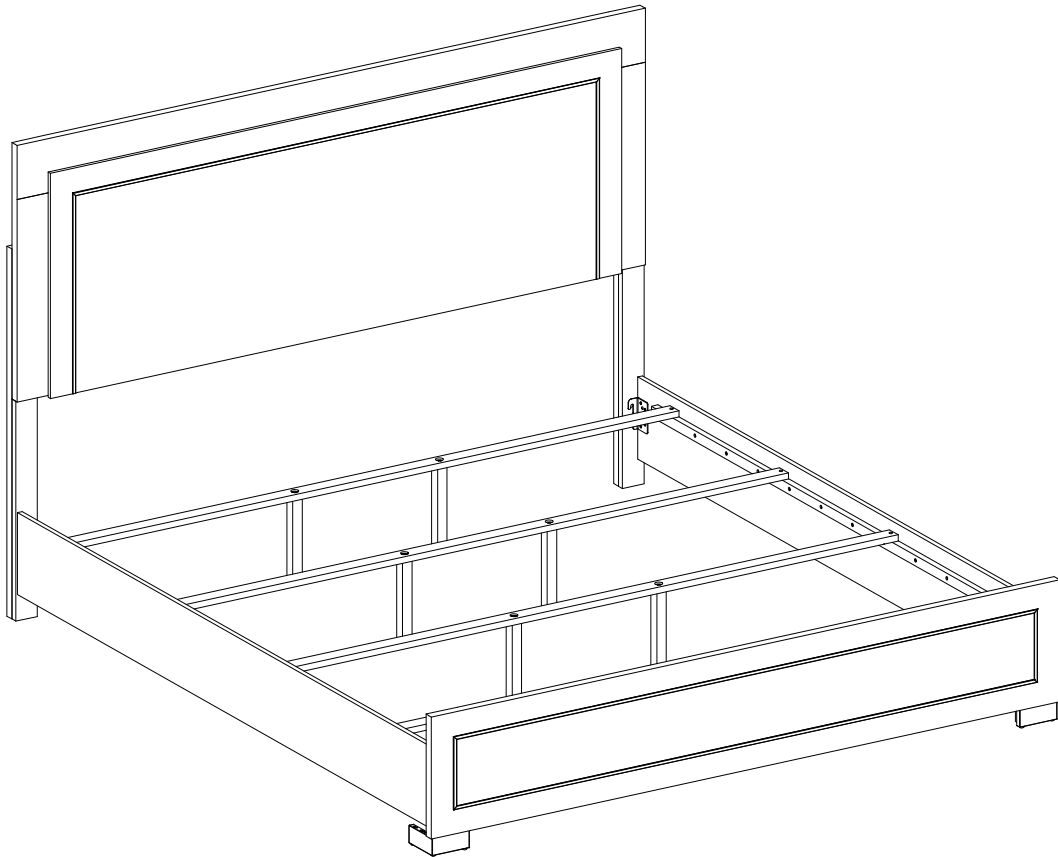
Hardware (#K) x 1pc

Connect the attached power connector on the headboard to the power adaptor (#K).



ASSEMBLY INSTRUCTIONS

7



ASSEMBLY COMPLETED

Please ensure the furniture rests on an even and flat surface. If the product wobbles or feels loose, double-check all bolts and/or screw are properly tightened and secured.

- ✔ **Keep this handy!**
Please retain this instruction manual and any order-related information for future reference.
- ✔ **Lift, don't drag!**
To avoid damage to product please always LIFT the product when transporting or adjusting the placement.

This product is intended for RESIDENTIAL USE ONLY and not for commercial use.