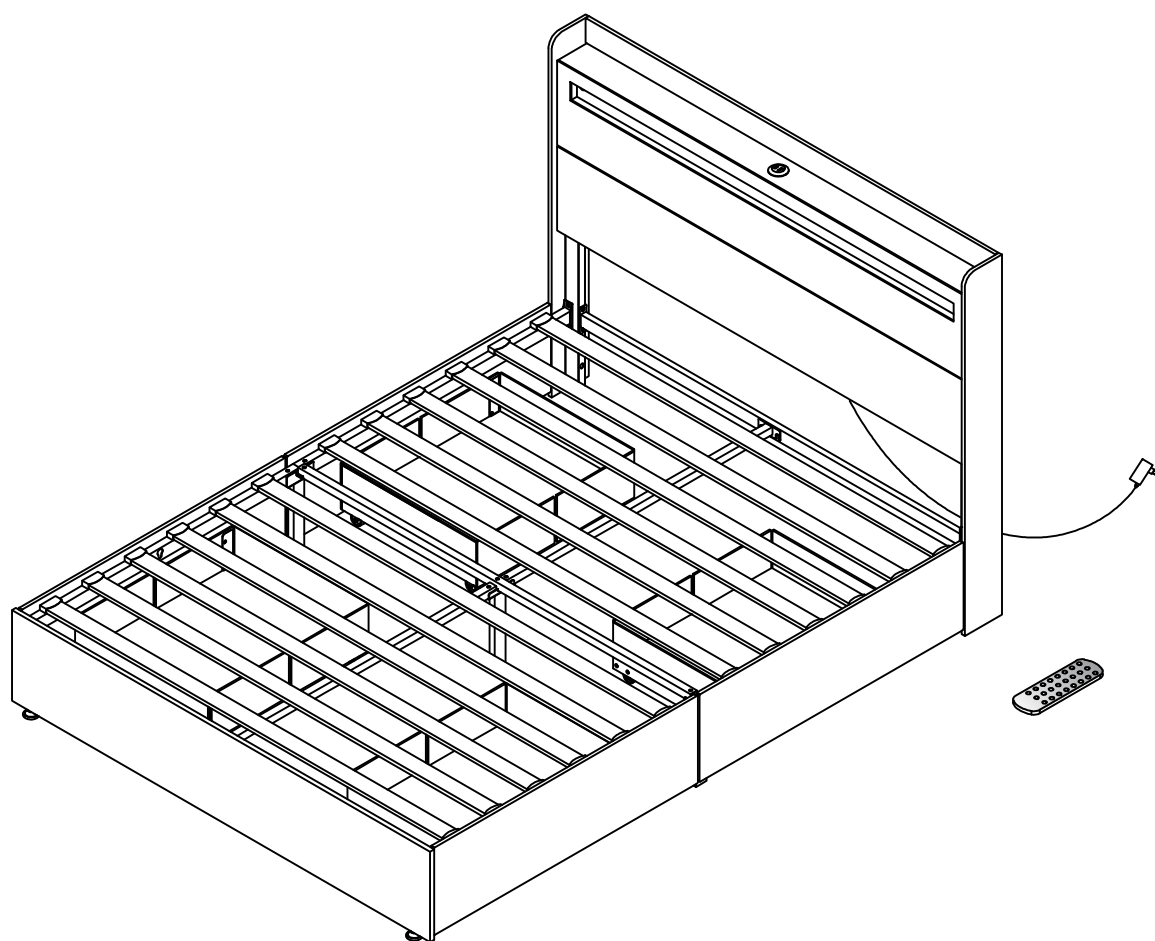
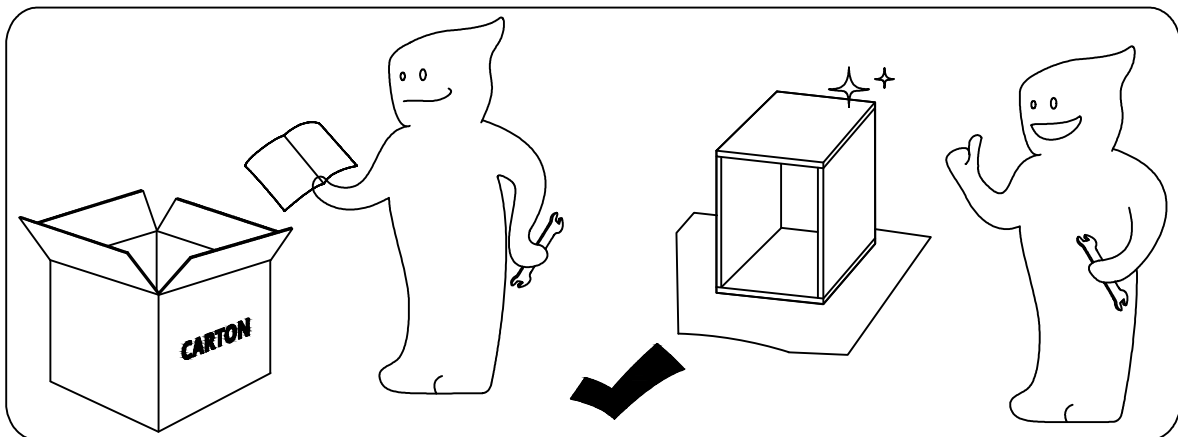
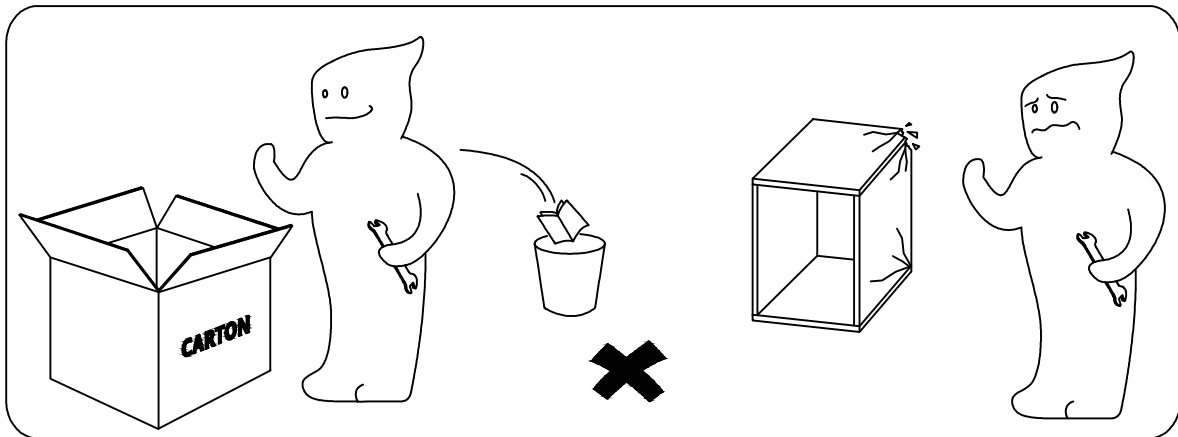


# ASSEMBLY INSTRUCTIONS



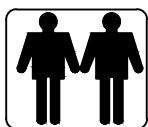
# ! IMPORTANT

Please follow the instruction manuals and use a pad to protect the product during your assembly.

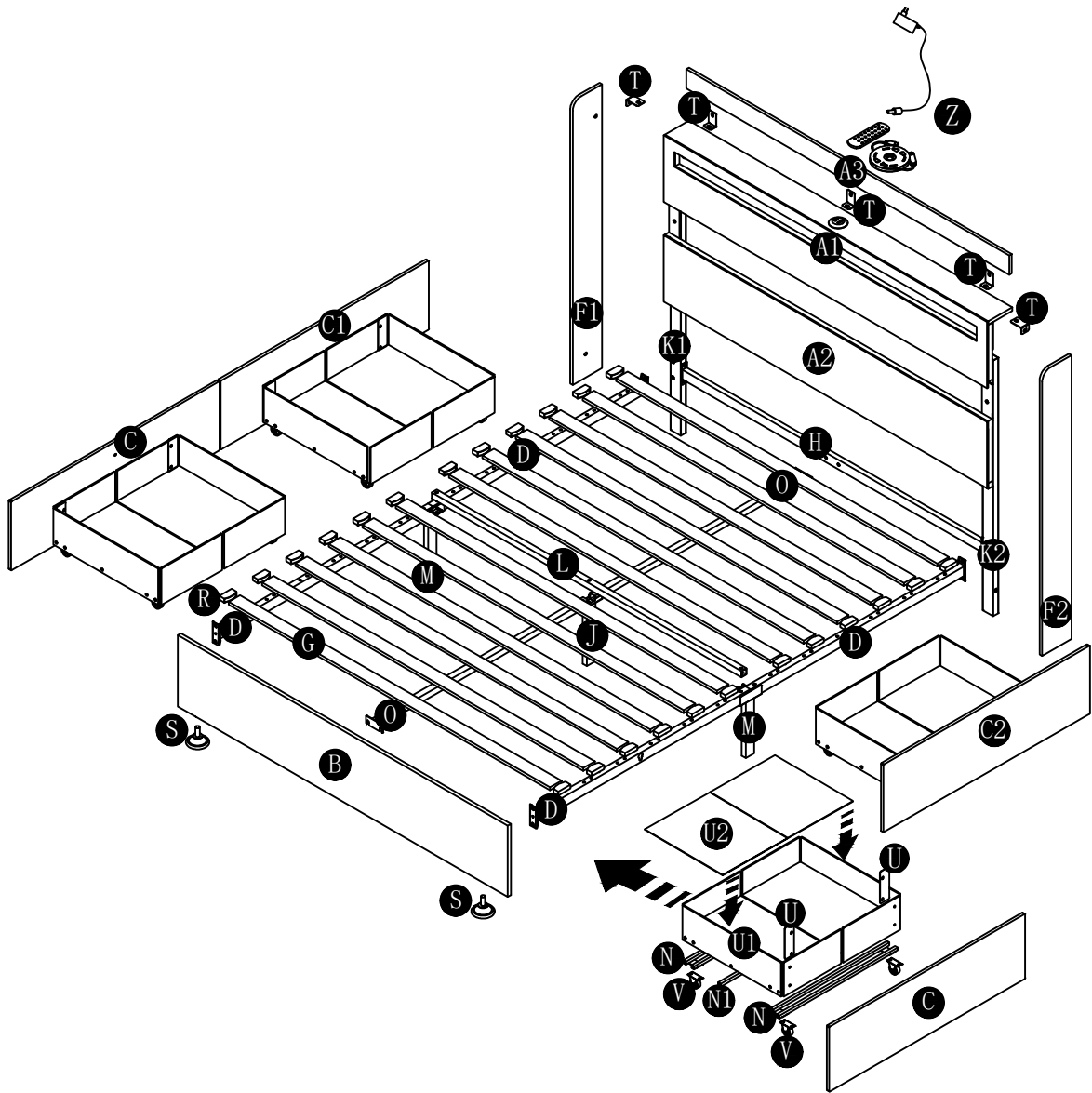


Note:

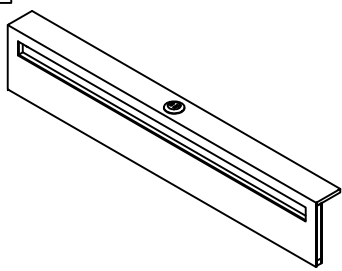
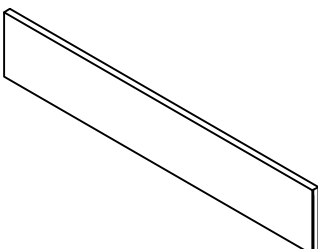
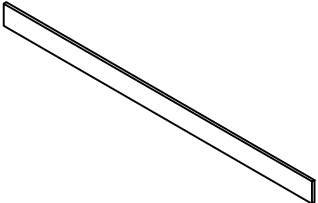
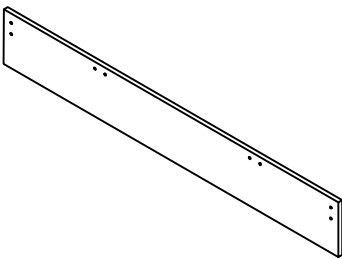
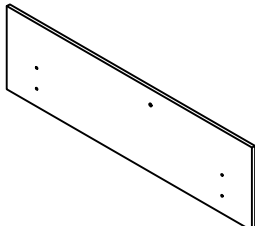
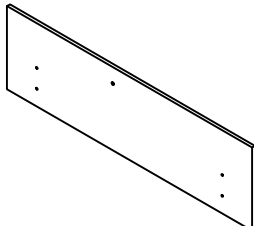
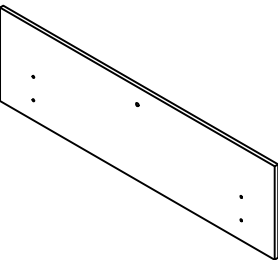
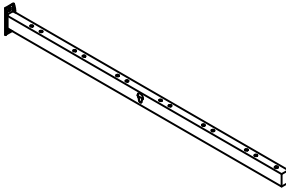
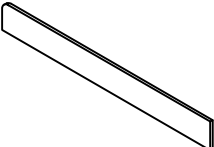
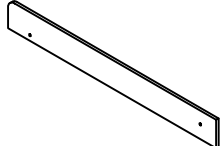
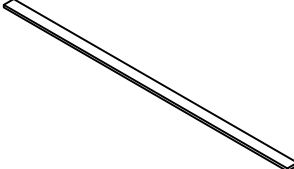
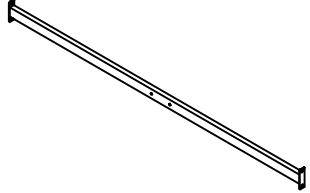
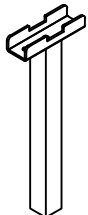
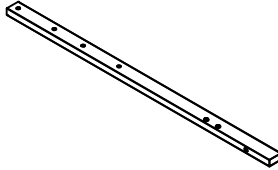
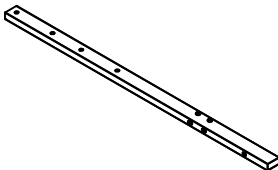
1. Should be assembled on flat ground to keep balance.
2. Before completing the installation, do not tighten the screws.



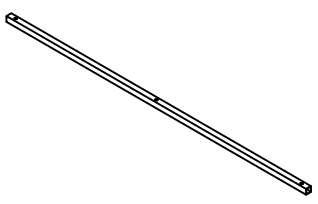
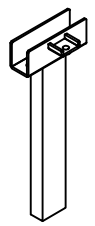
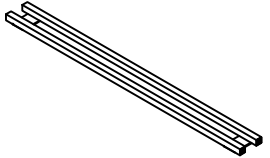
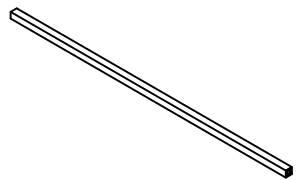

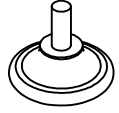
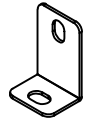
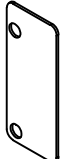
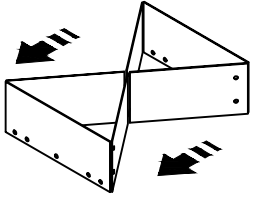
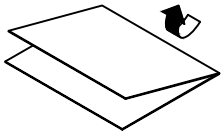
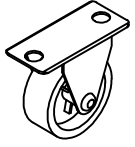
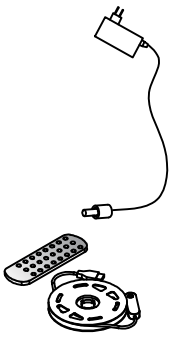
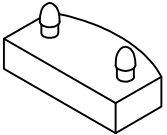
For easier and better assembly, 2 or more adults are required.



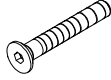
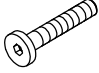
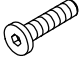


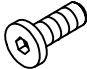



# Part list

<p>A1</p> <p>1PC</p> 	<p>A2</p> <p>1PC</p> 	<p>A3</p> <p>1PC</p> 
<p>B</p> <p>1PC</p> 	<p>C1</p> <p>1PC</p> 	<p>C2</p> <p>1PC</p> 
<p>C</p> <p>2PCS</p> 	<p>D</p> <p>4PCS</p> 	<p>F1</p> <p>1PC</p> 
<p>F2</p> <p>1PC</p> 	<p>G</p> <p>12PCS</p> 	<p>H</p> <p>1PC</p> 
<p>J</p> <p>1PC</p> 	<p>K1</p> <p>1PC</p> 	<p>K2</p> <p>1PC</p> 

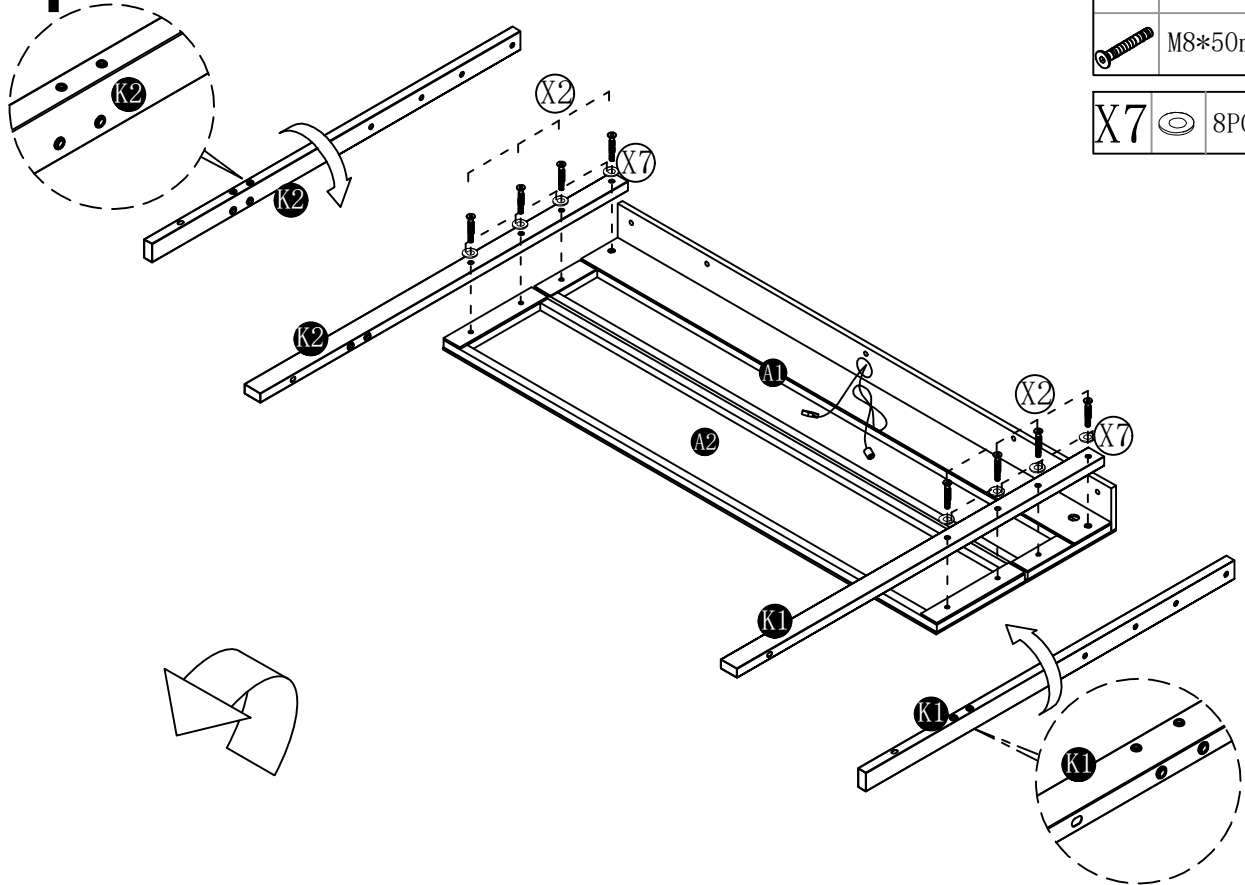
# Part list



<p>L 1PC</p> 	<p>M 2PCS</p> 	<p>N 8PCS</p> 
<p>N1 4PCS</p> 	<p>O 2PCS</p> 	<p>S 2PCS</p> 
<p>T 5PCS</p> 	<p>U 8PCS</p> 	<p>U1 4PCS</p> 
<p>U2 4PCS</p> 	<p>V1 16PCS</p> 	<p>Z 1PC</p> 
<p>R 24PCS</p> 		

## Hardware list

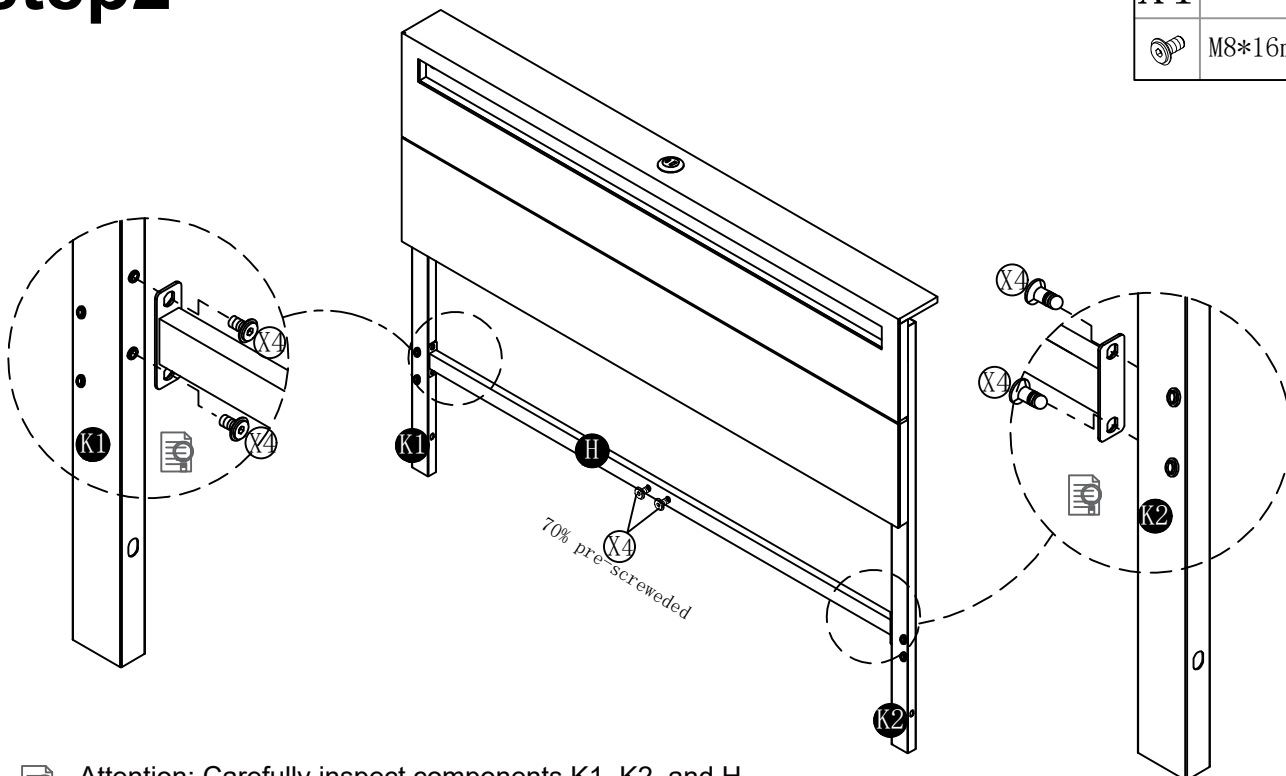
X1	2PCS	X2	13PCS	X3	4PCS	X4	26PCS
							
M8*65mm		M8*50mm		M8*40mm		M8*16mm	
X5	4PCS	X6	88PCS	X7	14PCS	Z1	1PC
							
M8*12mm		M6*14mm		$\phi 22 * \phi 8.5$		M8 Spanner	
Z2	1PC						
							
M6 Spanner							


# step1




X2	8PCS
	M8*50mm
X7	8PCS
	


# step2

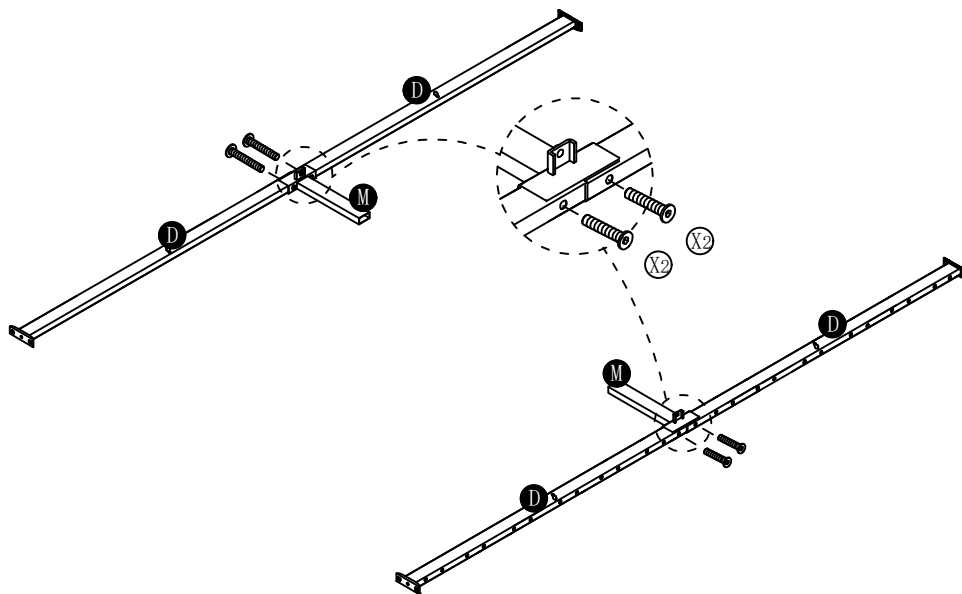


X4	6PCS
	M8*16mm

 Attention: Carefully inspect components K1, K2, and H to ensure they are on the right position.

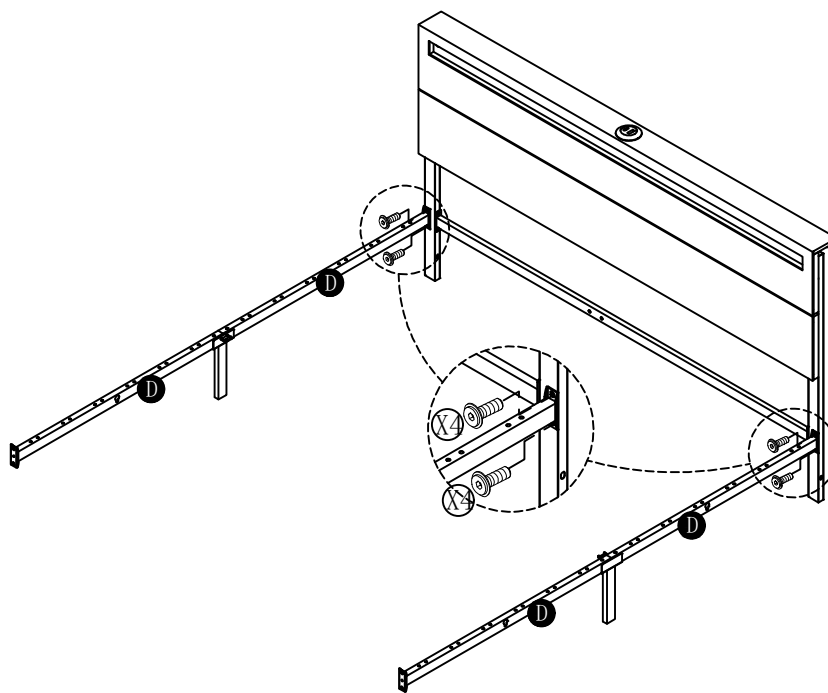
# step3

X2	4PCS
	M8*50mm




# step4

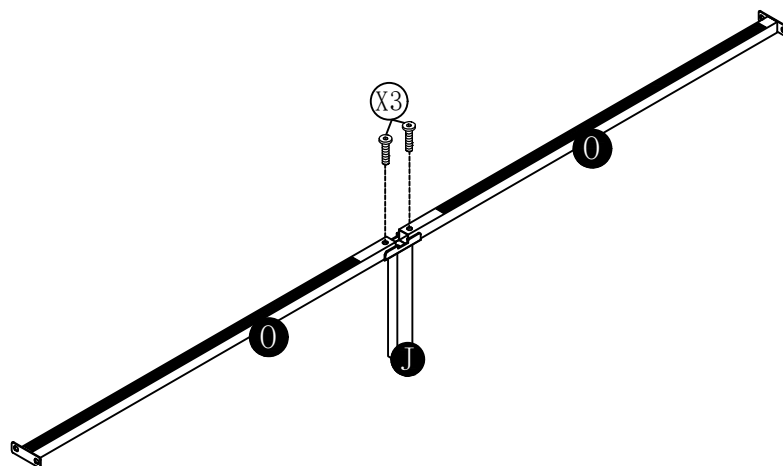
X4	4PCS
	M8*16mm



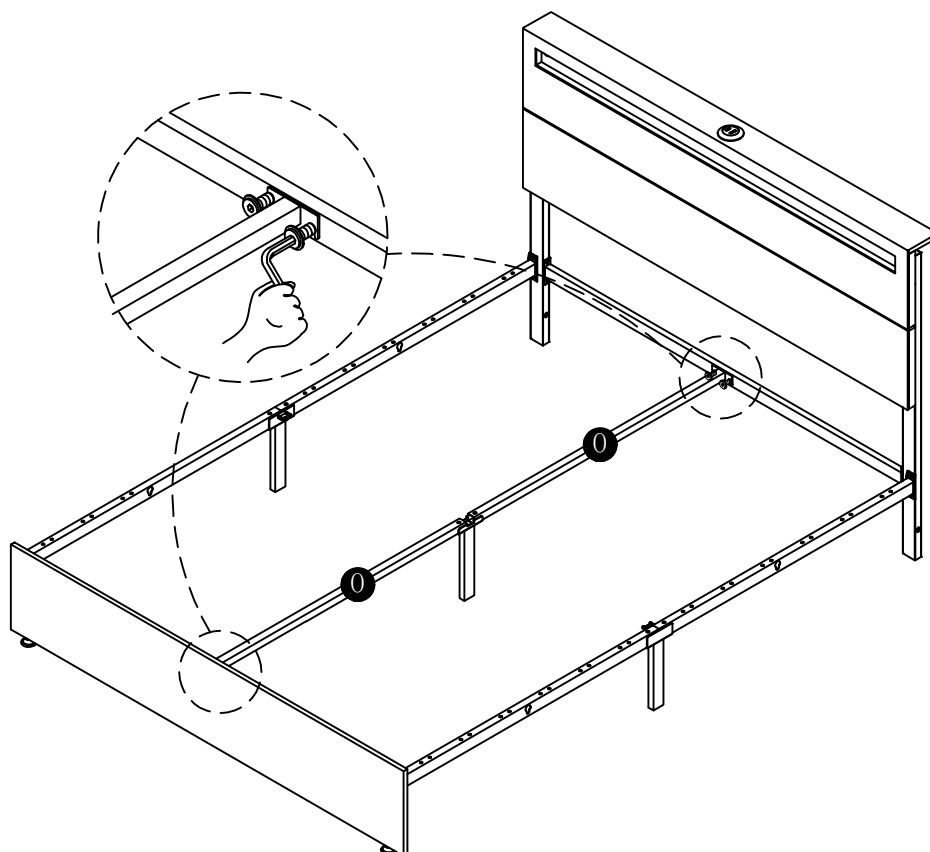


# step7

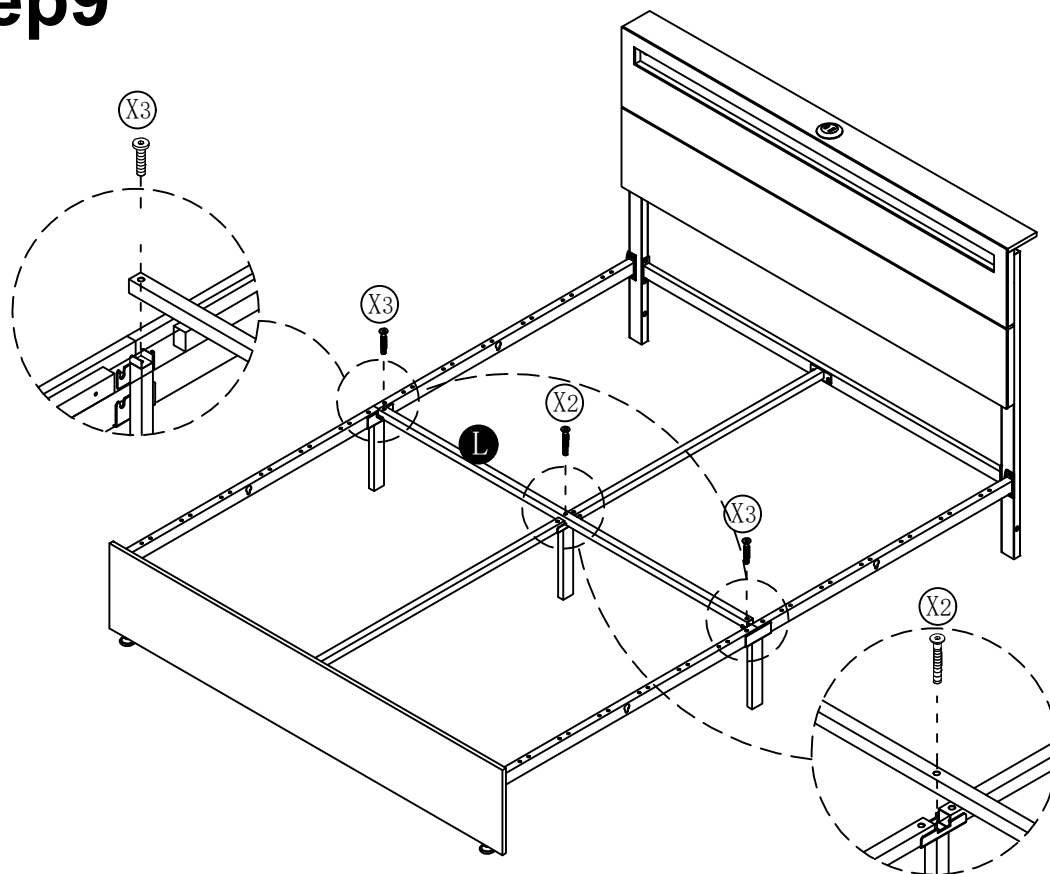
X3	2PCS
	M8*40mm





# step8



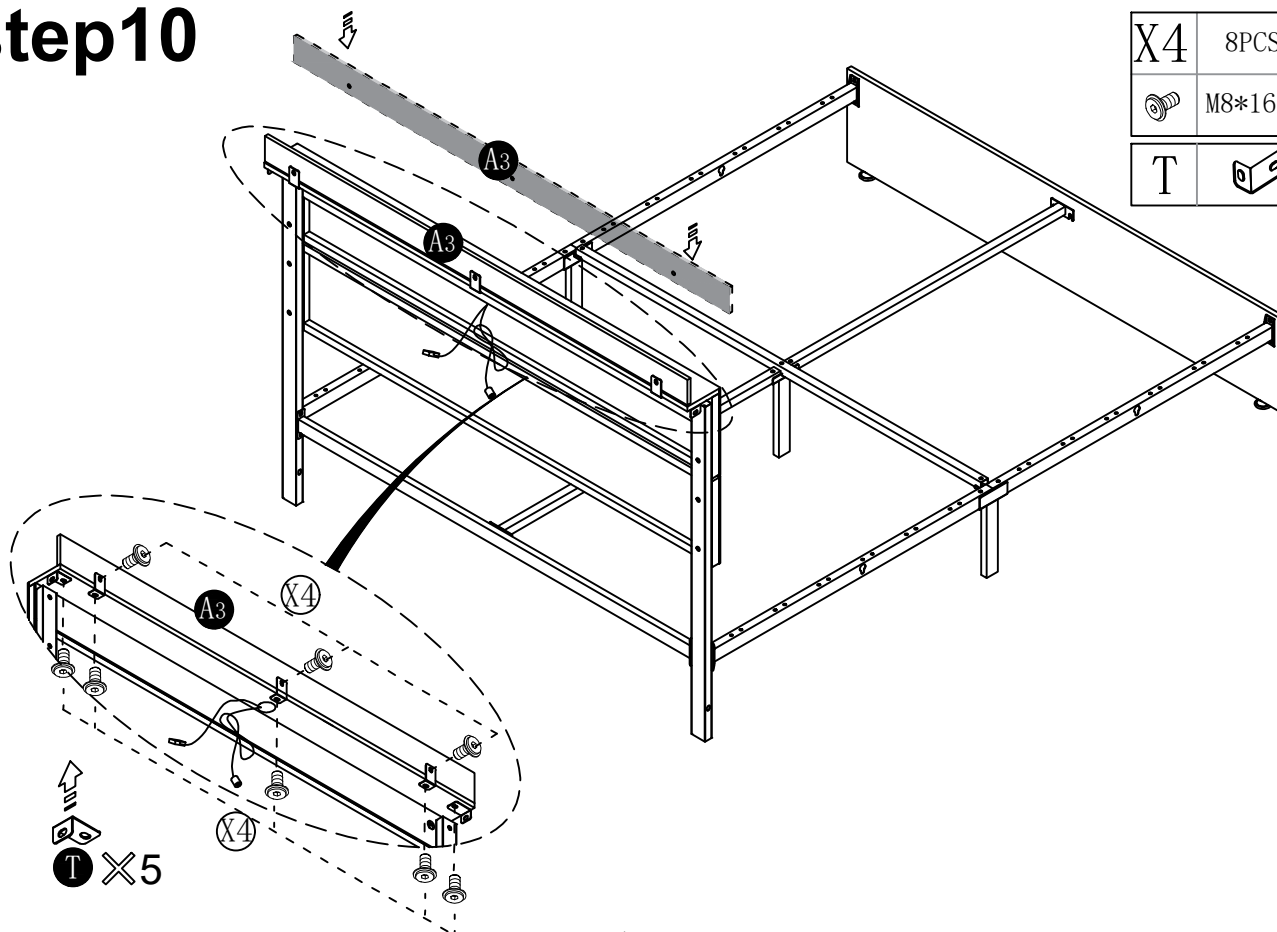
# step9



X2	1PCS
	M8*50mm

X3	2PCS
	M8*40mm

# step10




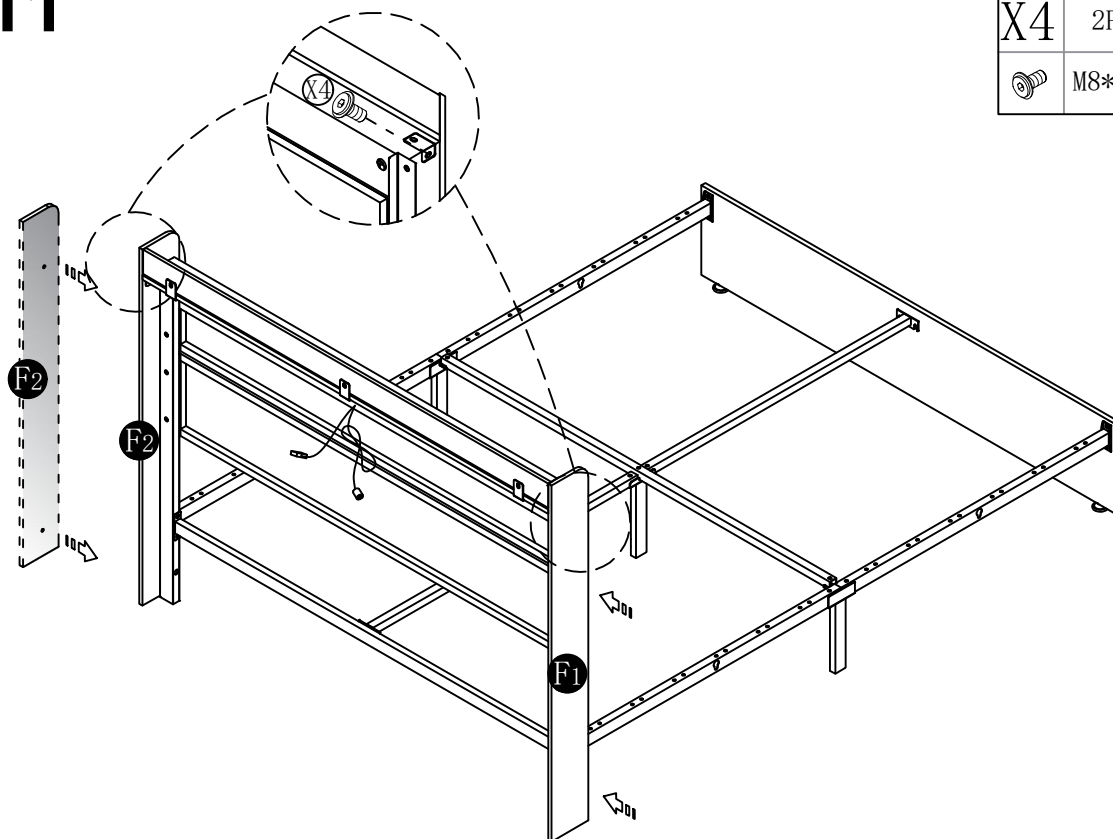
X4	8PCS
	M8*16mm

T	
---	---


 X5

# step11

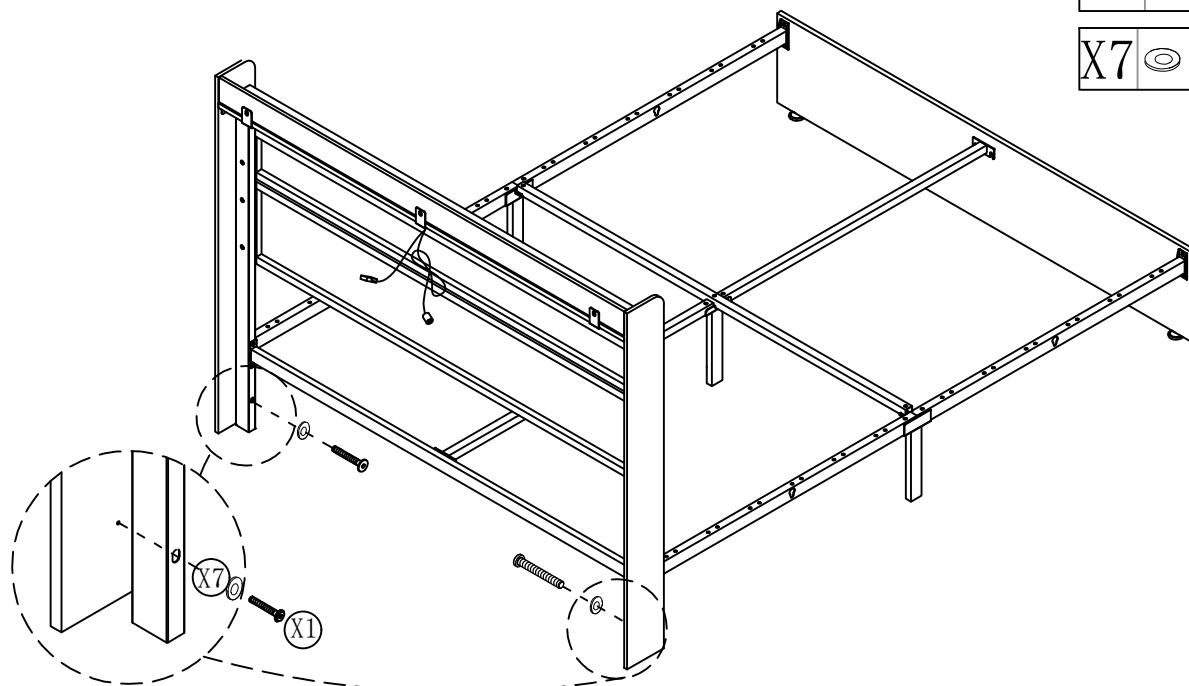
X4	2PCS
	M8*16mm



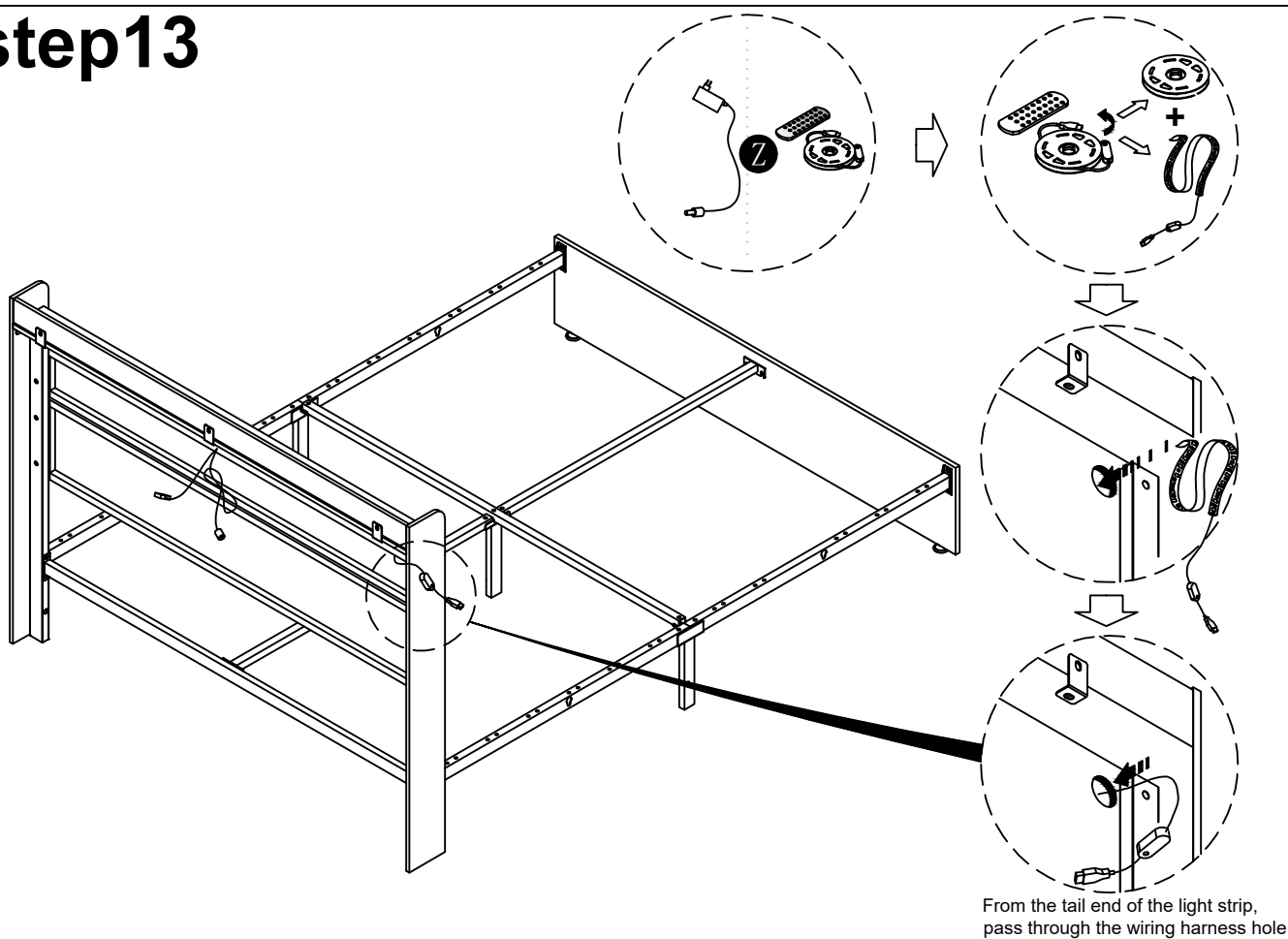
# step12

X1	2PCS
	M8*65mm

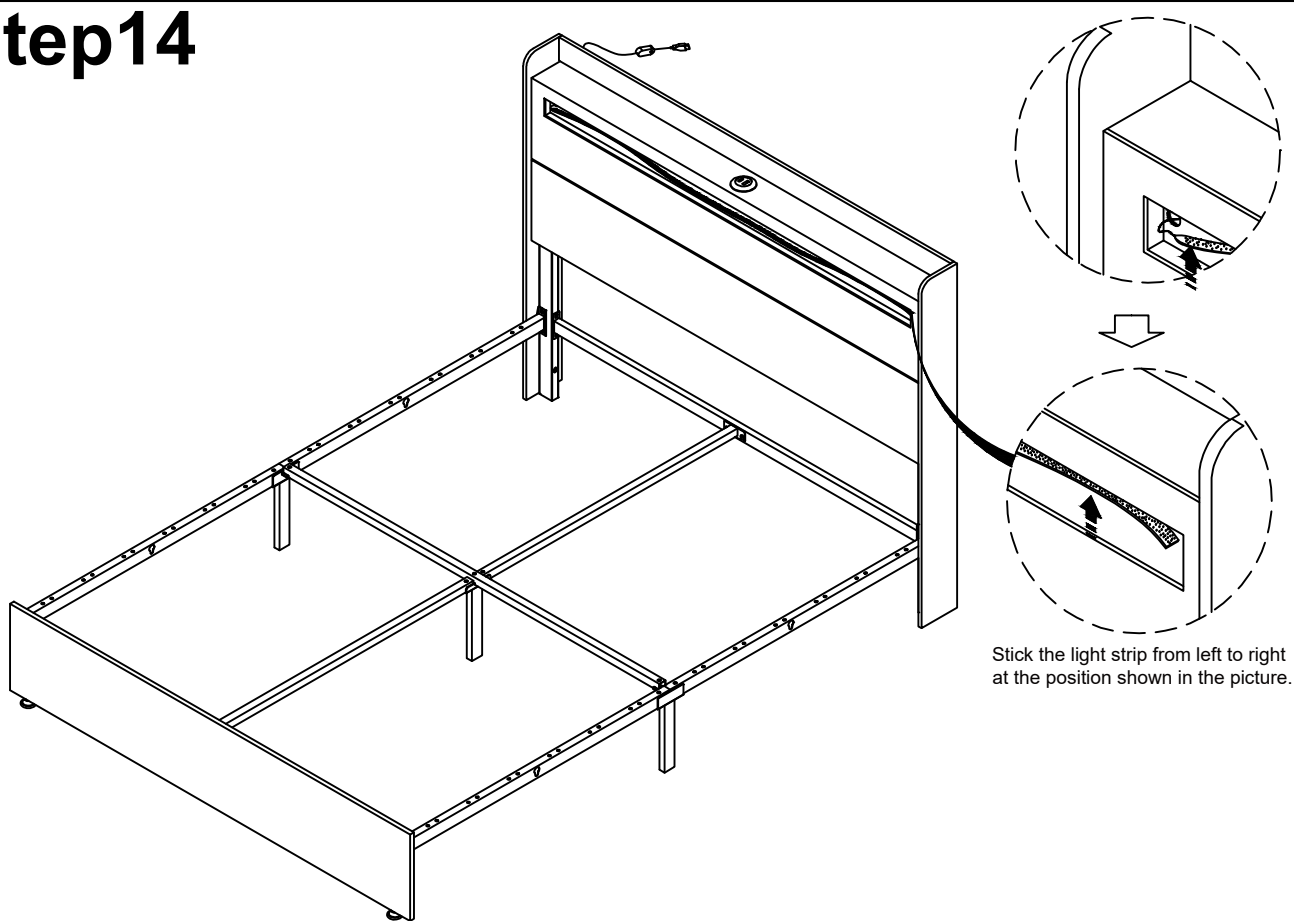
X7		2PCS
----	---	------



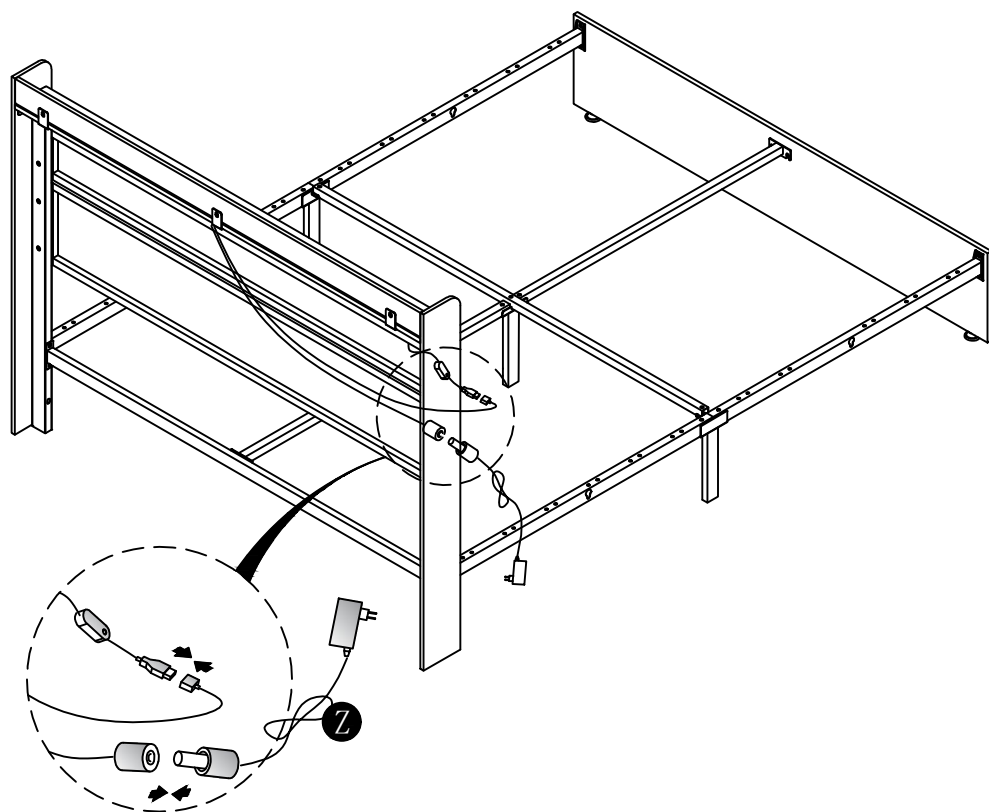
# step13



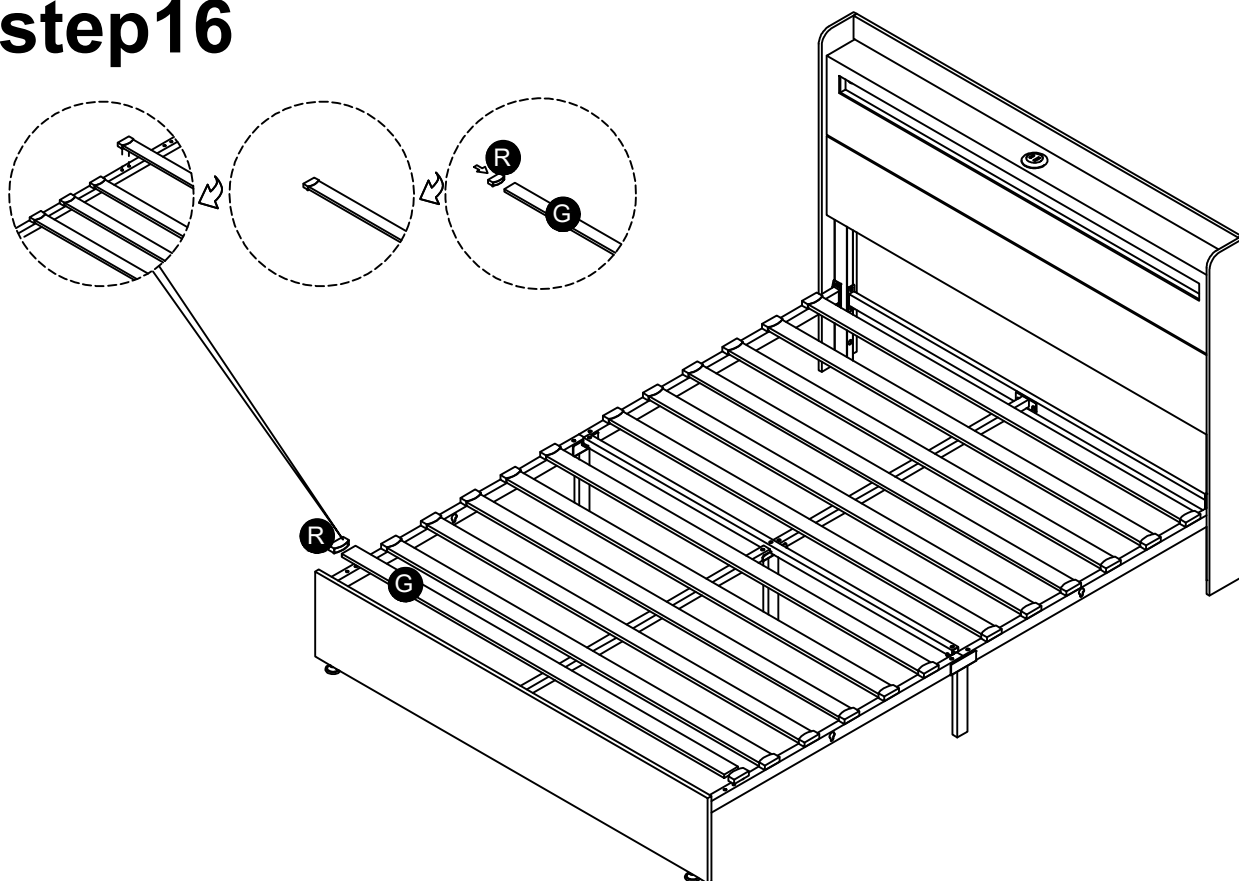
# step14



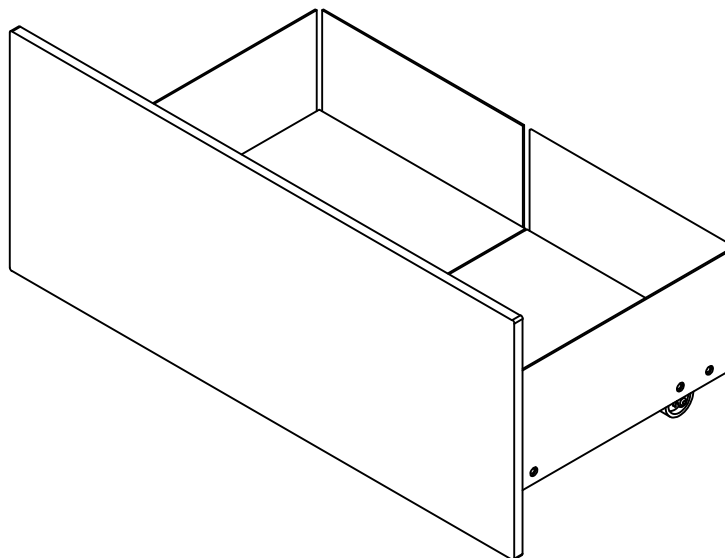
# step15



# step16

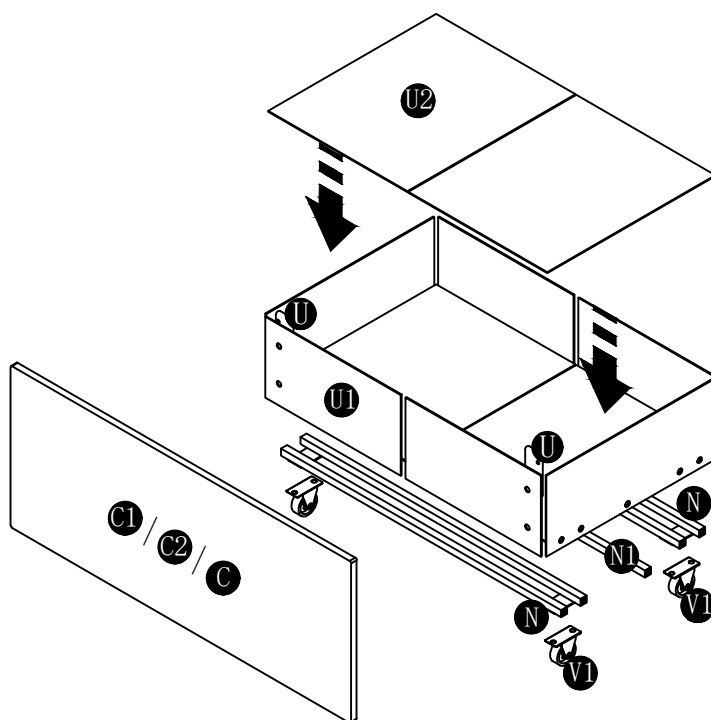


## step17



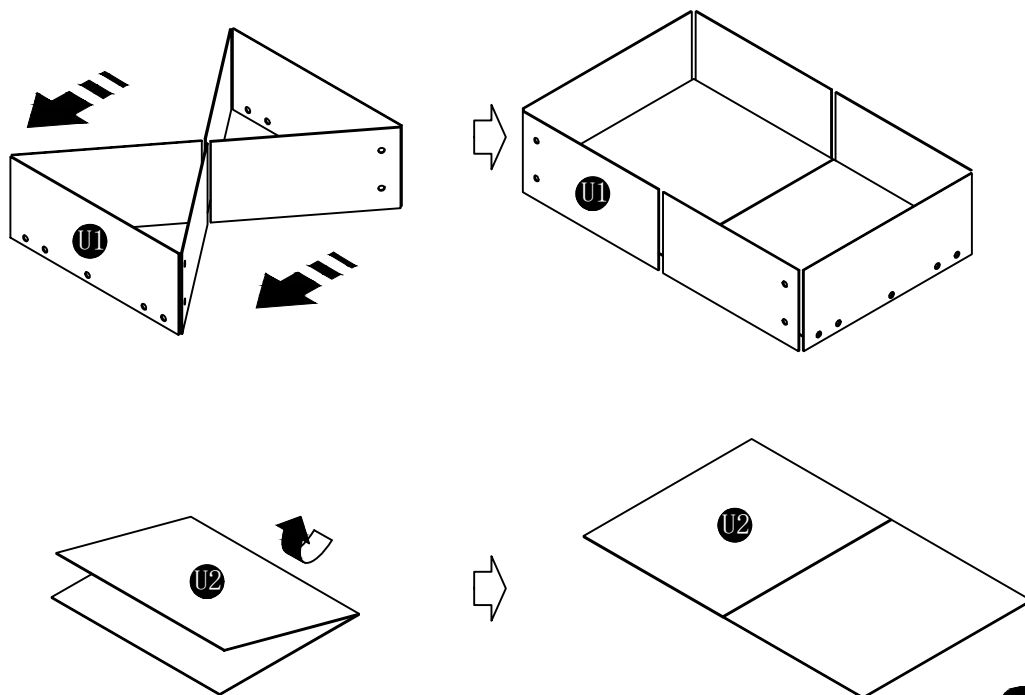
·Drawer Installation Steps

## step18




×4

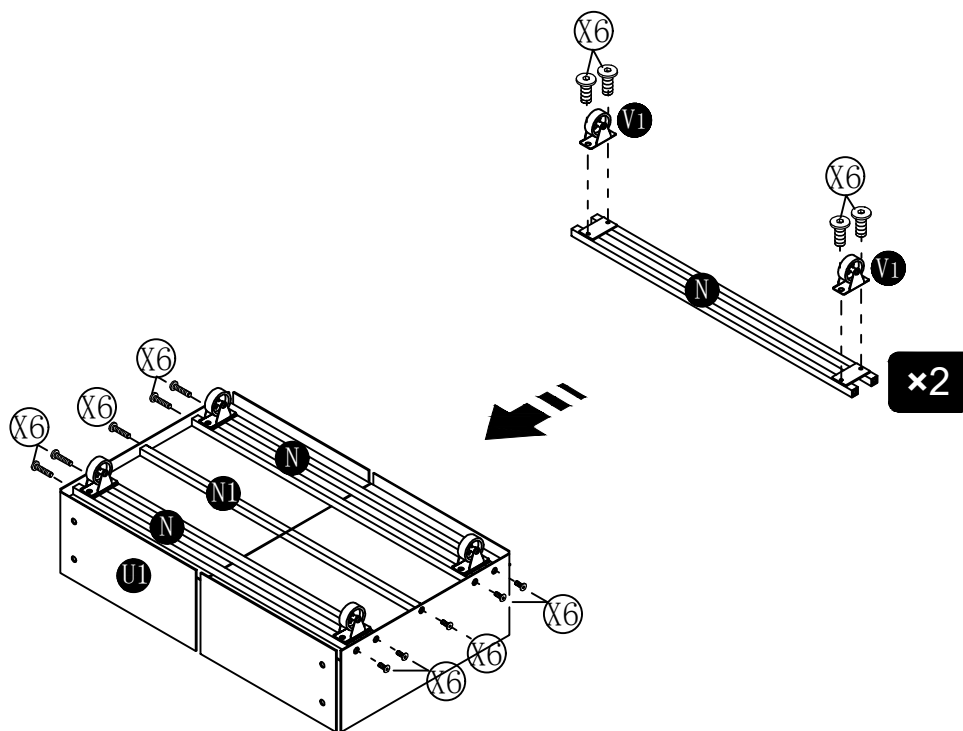
# step19



**×4**

# step20

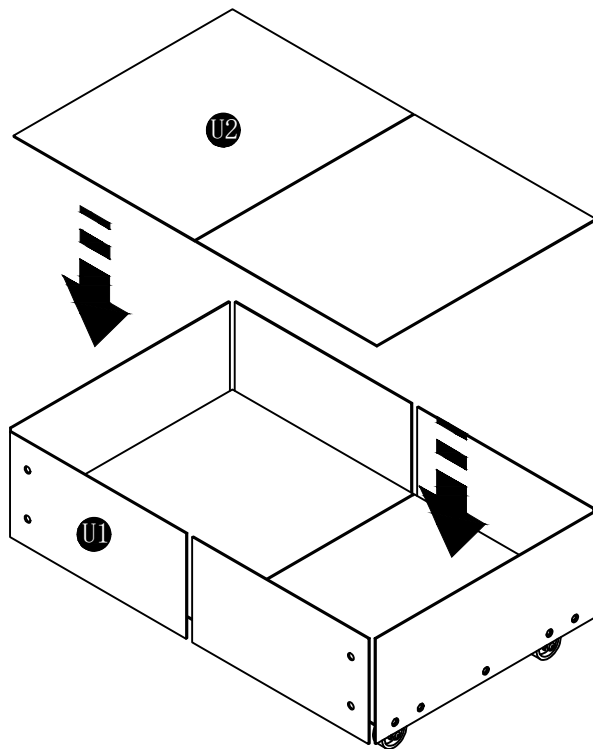
X6	72PCS
	M6*14mm
V1	16PCS



**×2**

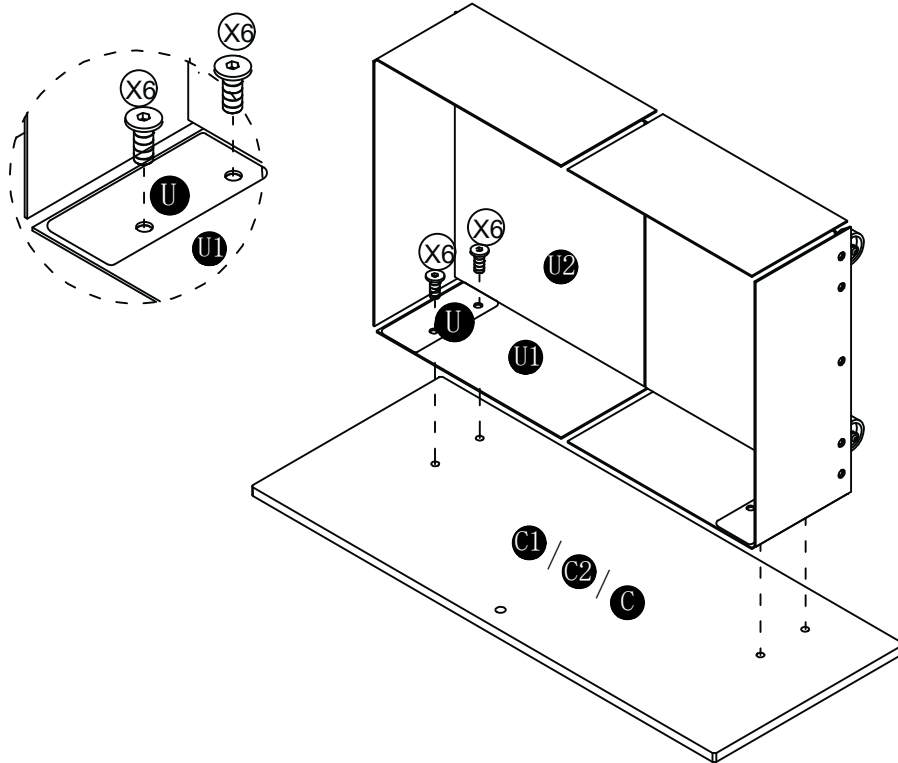
**×4**


# step21



**×4**



# step22

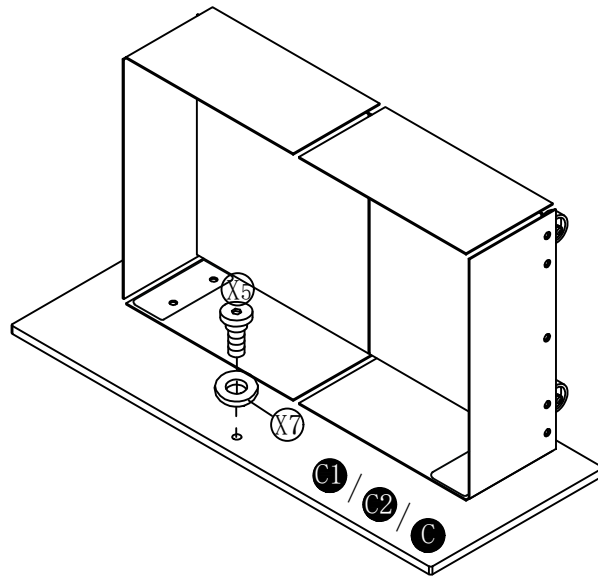


X6	16PCS
	M6*14mm

**×4**

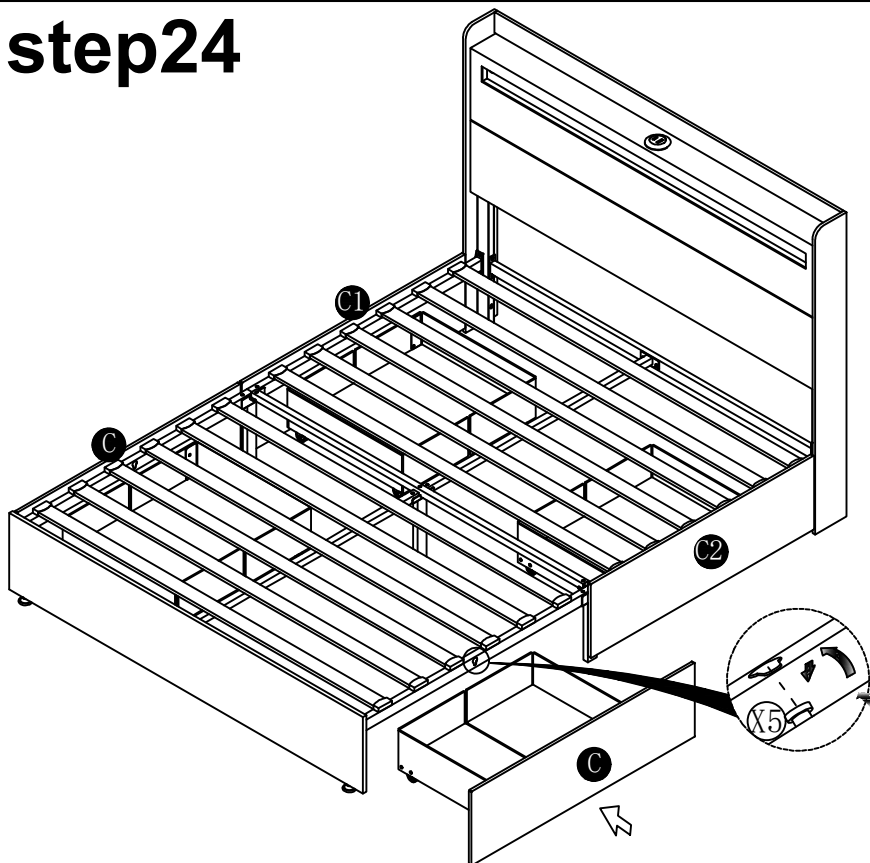
# step23

X5	4PCS
	M8*12mm
X7	4PCS
	




**×4**

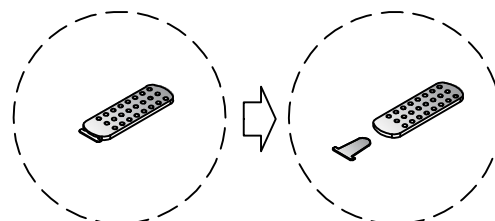
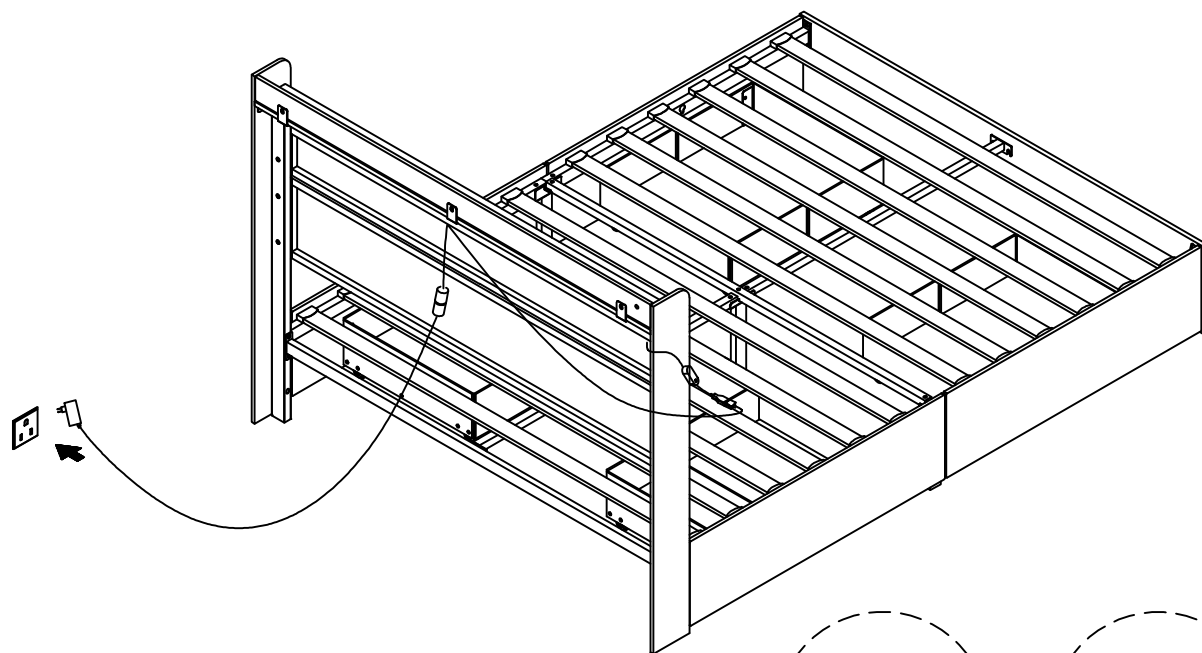
# step24



C1	:	:
C2	:	:
C	:	:

Lift the panel to allow the X5 to match the hole  to secure the drawers.  
Same way for pulling out.

# step25



Remove the plastic pad