

# WAC LIGHTING

## Cornice

### Wall Sconce

Fixture Type: \_\_\_\_\_

Catalog Number: \_\_\_\_\_

Project: \_\_\_\_\_

Location: \_\_\_\_\_

Model & Size	Color Temp	Finish	LED Watts	LED Lumens	Delivered Lumens
WS-57205 5"	2700K	AB Aged Brass	15W	1200	363
	3000K	BK Black	15W	1200	400
	3500K	WT White	15W	1200	378

Example: **WS-57205-35-WT**

For custom requests please contact [customs@wacighting.com](mailto:customs@wacighting.com)

#### DESCRIPTION

Dramatic double light wall luminaire.

#### FEATURES

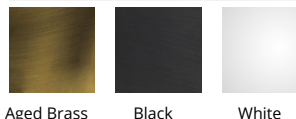
- Up and downlight illumination
- Built in color temperature adjustability. Switch from 2700K/3000K/3500K
- Option to pre-select color temperature or adjust in the field
- ACLED driverless technology
- 5 Year warranty

#### SPECIFICATIONS

Color Temp:	3500K,3000K,2700K
Input:	120 VAC,50/60Hz
CRI:	90
Dimming:	ELV: 100-10% ,TRIAC: 100-10%
Rated Life:	50000 Hours
Mounting:	Can be mounted on wall in all orientations
Standards:	ETL, cETL Damp Location Listed
Construction:	Aluminum body, frosted glass diffuser



#### FINISHES:

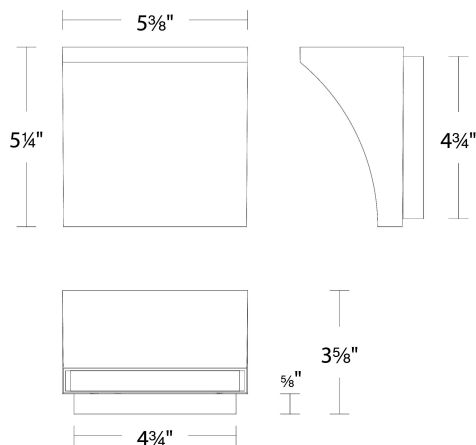


Aged Brass      Black      White

#### REPLACEMENT PARTS

HDW-LG22-WA - Hardware Pack

#### LINE DRAWING:



WS-57205