

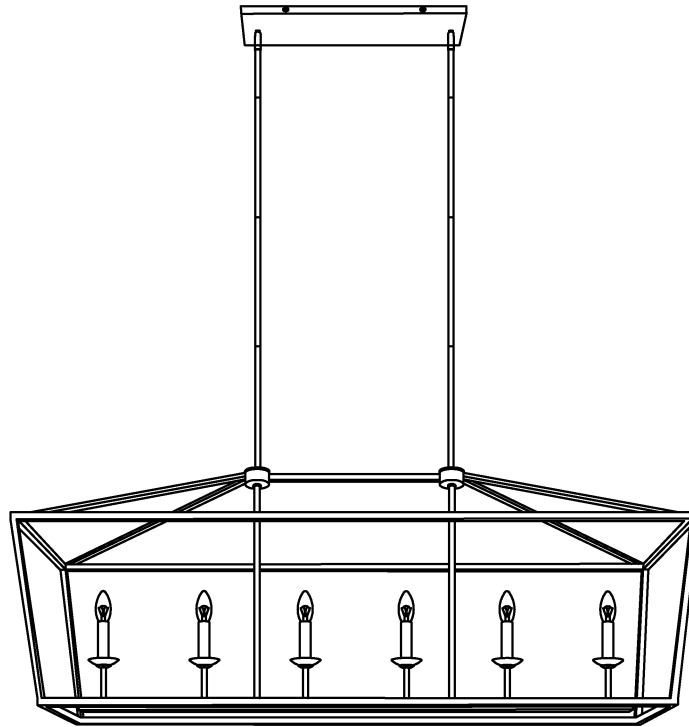
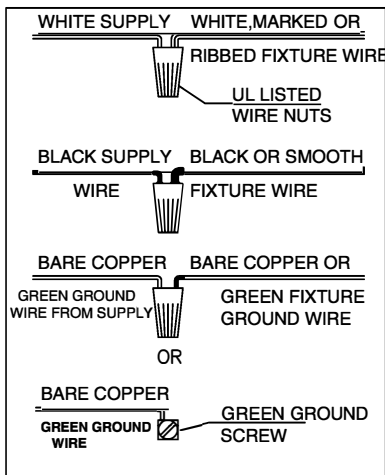
DESCRIPTION	PICTURE	CODE	QTY
Canopy+Mounting Plate		15 / 19 / 23	1 SET
Mounting Box Screw		21	2 PCS
P3 Wiring Cap		22	3 PCS
Gecko and wood screw		18 / 20	2 SET
Fix the lamp body frame screws		3 / 5	16 PCS
Grounded bare copper wire		17	1 PCS
Down Rod 12"		10 / 11 / 12	6 PCS
Down Rod 3.35"+Hooke's joint +Reinforce gasket + Nut		13 / 14 / 16	2 SET
Lamp holder casing		25	6 PCS
Flying saucer		24	6 PCS
Lamp body center tube+Nut		7 / 9	2 SET
Lamp Cover		8	2 PCS
Lamp Body		6	1 PCS
Lamp body frame (Lower part)		4	1 PCS
Lamp body frame (support tube)		2	4 PCS
Lamp body frame (upper)		1	1 PCS

WARNING - if any Special Control Devices are used with this Fixture, Follow the instructions Carefully to assure fun compliance With N.E.C. requirements. if there are any questions, contact a Qualified Electrical Contractor.
CAUTION - All glass is fragile, use care when handling Glass component(s) and or Lamp(s).
WARNING - This product contains chemicals known to the State of California to cause cancer, birth defects and /or other reproductive harm. Thoroughly wash hands after installing. handling. cleaning, or otherwise touching this product

CANOPY MOUNTING & WIRE CONNECTION ASSEMBLY STEPS:

Attach(N),(P) to achieve overall desired length.
 Una (N),(P) para lograr la longitud deseada.
 Joignez(N),(P) pour obtenir la Longueur voulue.

FIXTURE ASSEMBLY STEPS:



110-120V / 60Hz
 E12 6*MAX 60W TYPE B
 (Do not contain light bulb)

1. AC110~120V,50~60Hz.The Max lamps power is 60W TYPE B Bulb.
2. Avoid to scratch the surface of lighting and the wires when install it.
3. Connect the live wire with the white wire, the natural wire with the parti-colored one, the earth one with the earth symbol (L-L,N-N).
4. Don't install it to the ceiling before it's completely dry, the surrounding around must be ventilated and dry.
5. Keep away from the acid, basicity objects and gases, clean with soft cloth, water washing is not allowed.
6. Be careful when you install glass lamp shade
7. The lighting must be installed by professional electrician and used indoor only.
8. Please keep attention to cut off the power supply when installing, cleaning, and replacing bulb.