

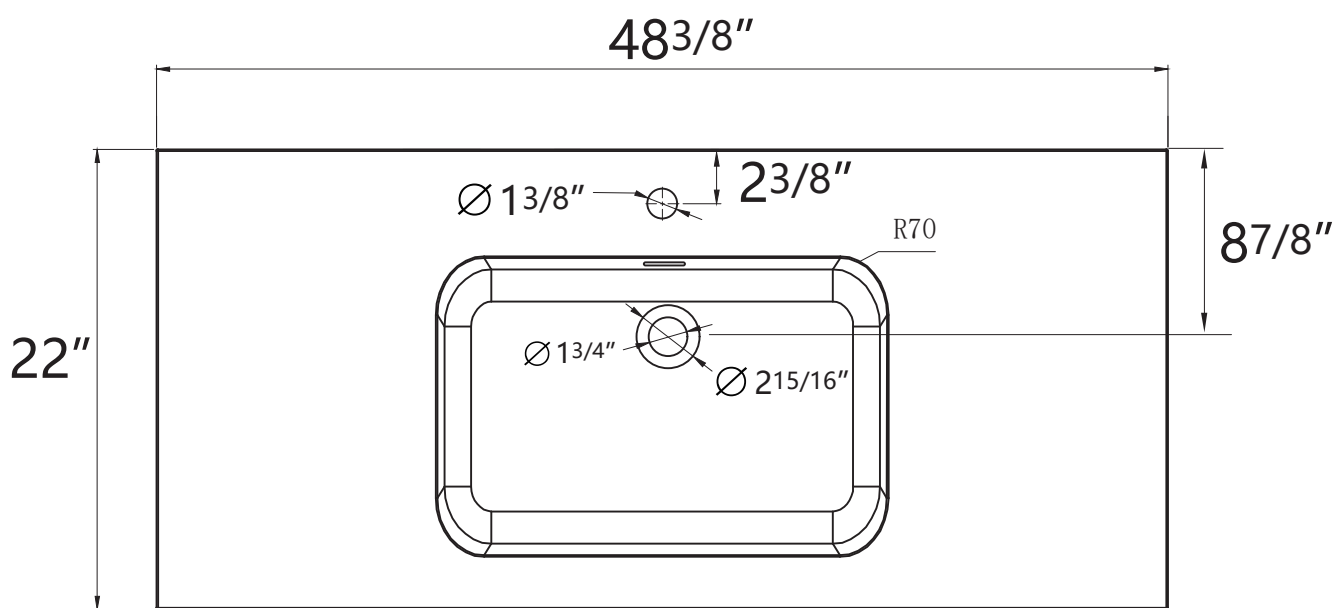
# ZEAFIVE®

## ASSEMBLY INSTRUCTIONS BATHROOM VANITY TOP

MODEL.  
FO-48W



PRODUCT  
INSTRUCTION  
VIDEO





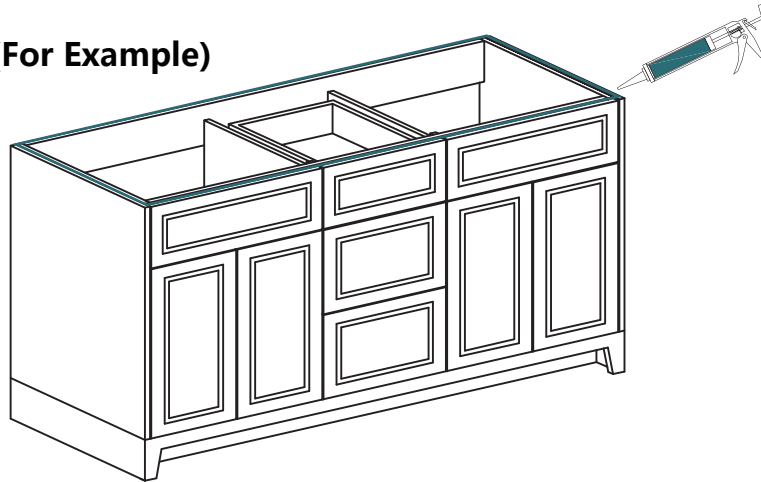
NOTE: Any size of the vanity's installation steps are the same.

## INSTALLATION STEPS

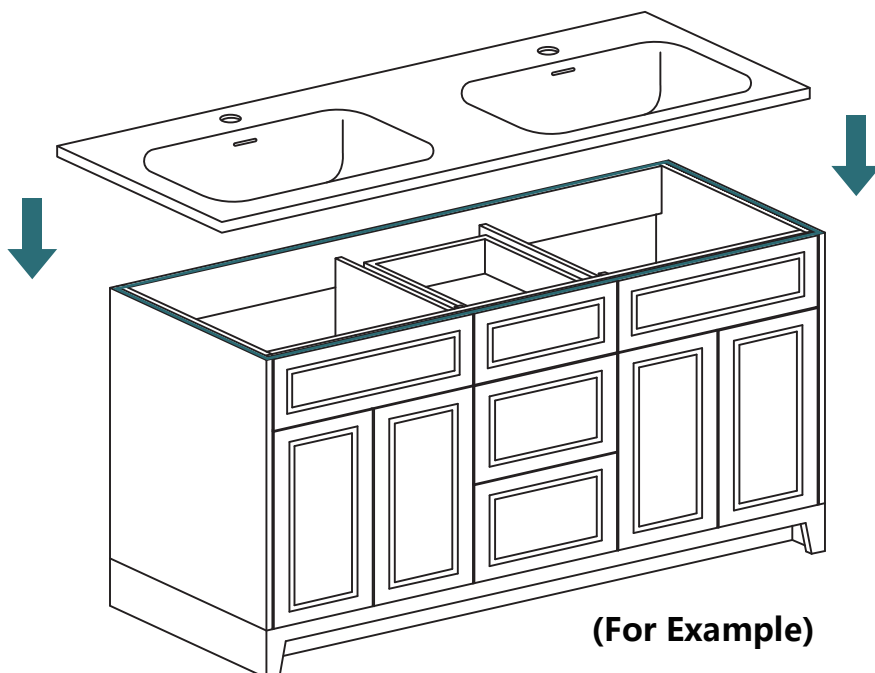
**1. Prepare the Vanity:** Make sure the vanity is in place and securely attached to the wall.

**2. Seal the Edges:** To prevent water damage and ensure a clean finish, apply a bead of silicone caulk along the edges where the countertop meets the vanity.

(For Example)



**3. Attach the Countertop:** Secure the solid surface countertop on the vanity.



(For Example)



Email: [service@bestgosupplychaininc.com](mailto:service@bestgosupplychaininc.com)



# HOME SERVICES

---



INSTALLATION VIDEO

**Missing Part or Defective?**

Please Contact the Customer Service Team

 [service@bestgosupplychaininc.com](mailto:service@bestgosupplychaininc.com)