




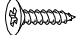
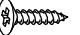
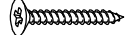
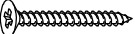





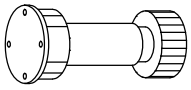
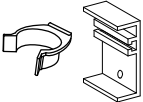


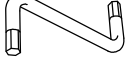



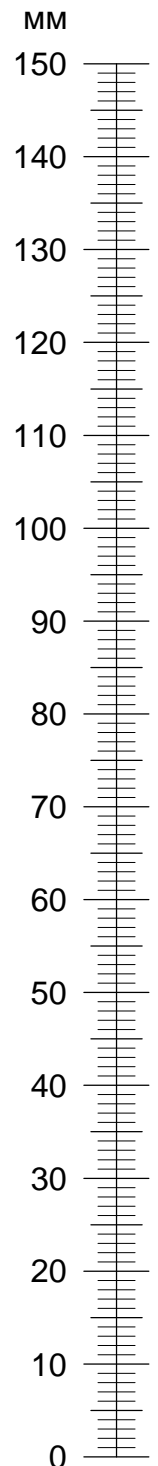
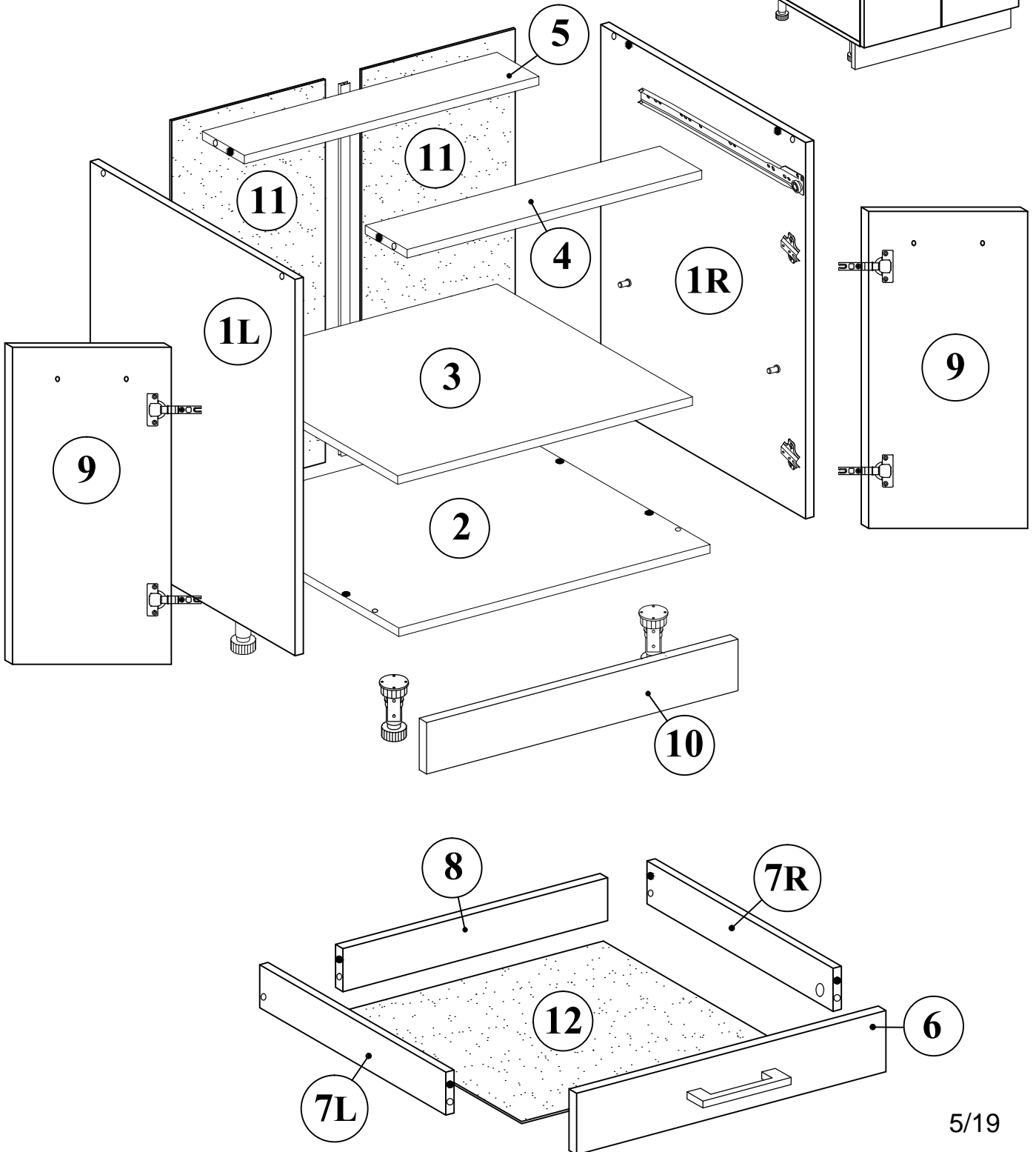
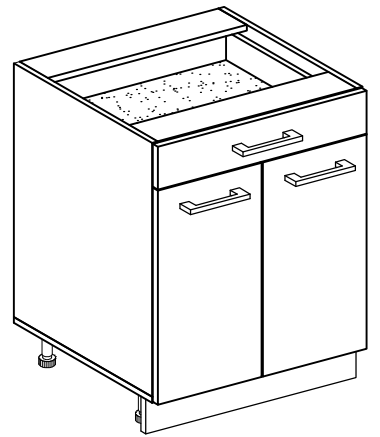







 (A1) 8*30mm x12	 (B) ϕ 12mm x10	 (B1) 6,3*50mm x10
 (D) x2	 (D1) 16mm x2	 (C1) 5*30mm x2
 (E1) 3*15mm x6	 (E8) 4*16mm x28	 (E11) 4*30mm x8
 (E13) 4*40mm x6	 (F1) 6,3*13mm x8	 (F3) 5,0*13mm x4
 (H1) M 4 x6	 (I8) x3	 (J1) 5*16MM x4
 (K2) x4	 (K3) x2	 (L1) x4
 (M1) L- 400 x1	 (P1) x1	 (Q1) 1.4*25MM 0.02kg
 (U3) x6	 (P4) L-680 x1	

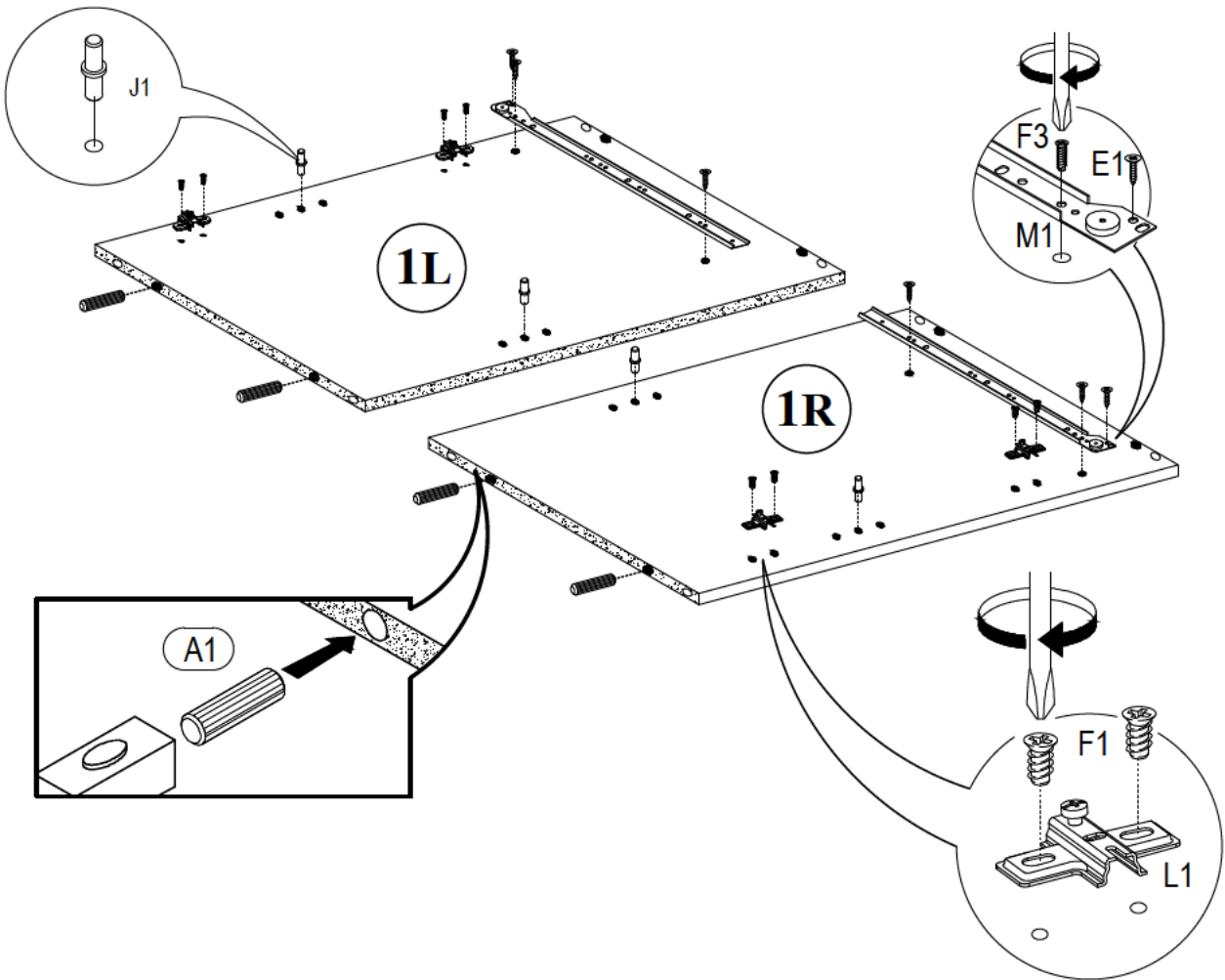


№	a*b	x
1L	700x440	1
1R	700x440	1
2	600x440	1
3	567x420	1
4	567x90	1
5	567x90	1
6	596x118	1
7л.	400x80	1
7пр.	400x80	1
8	509x80	1
9	296x590	2
10	599x96	1
11	713x296	2
12	404x540	1

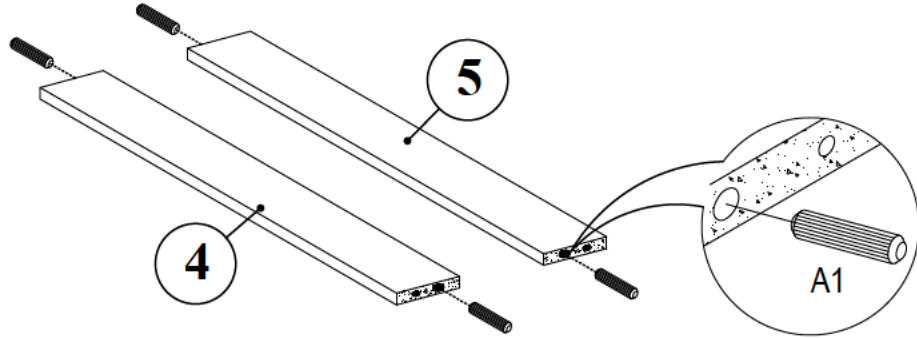
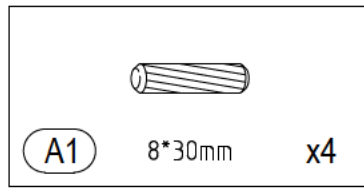


1

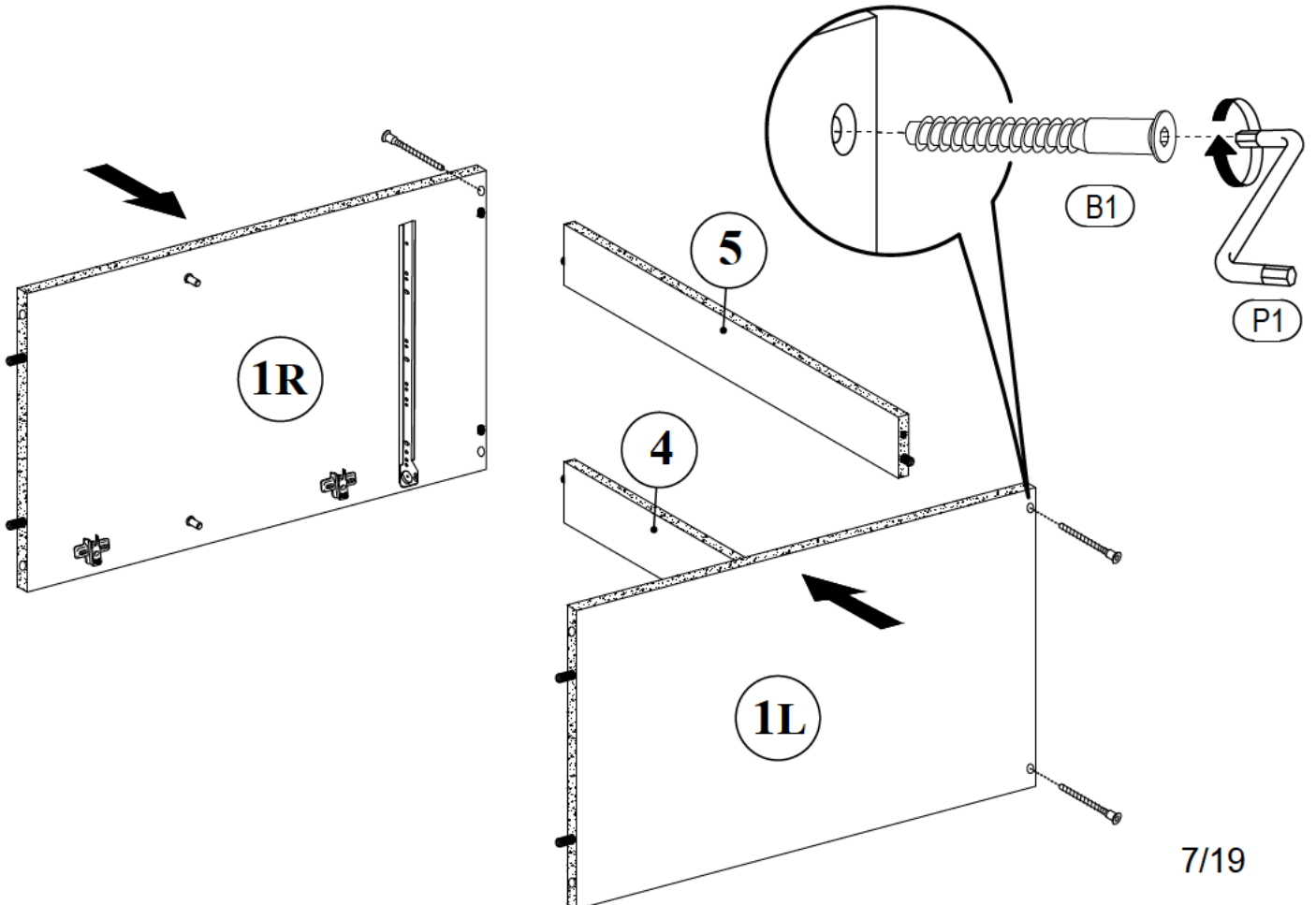
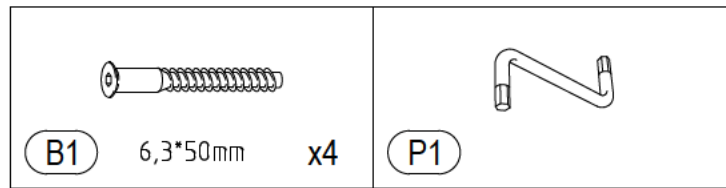
 A1 8*30mm x4	 J1 5*16MM x4	 L1 x4
 F1 6,3*13mm x8	 E1 3*13mm x2	 M1 L- 450 x1
		 F3 5,0*13mm x4



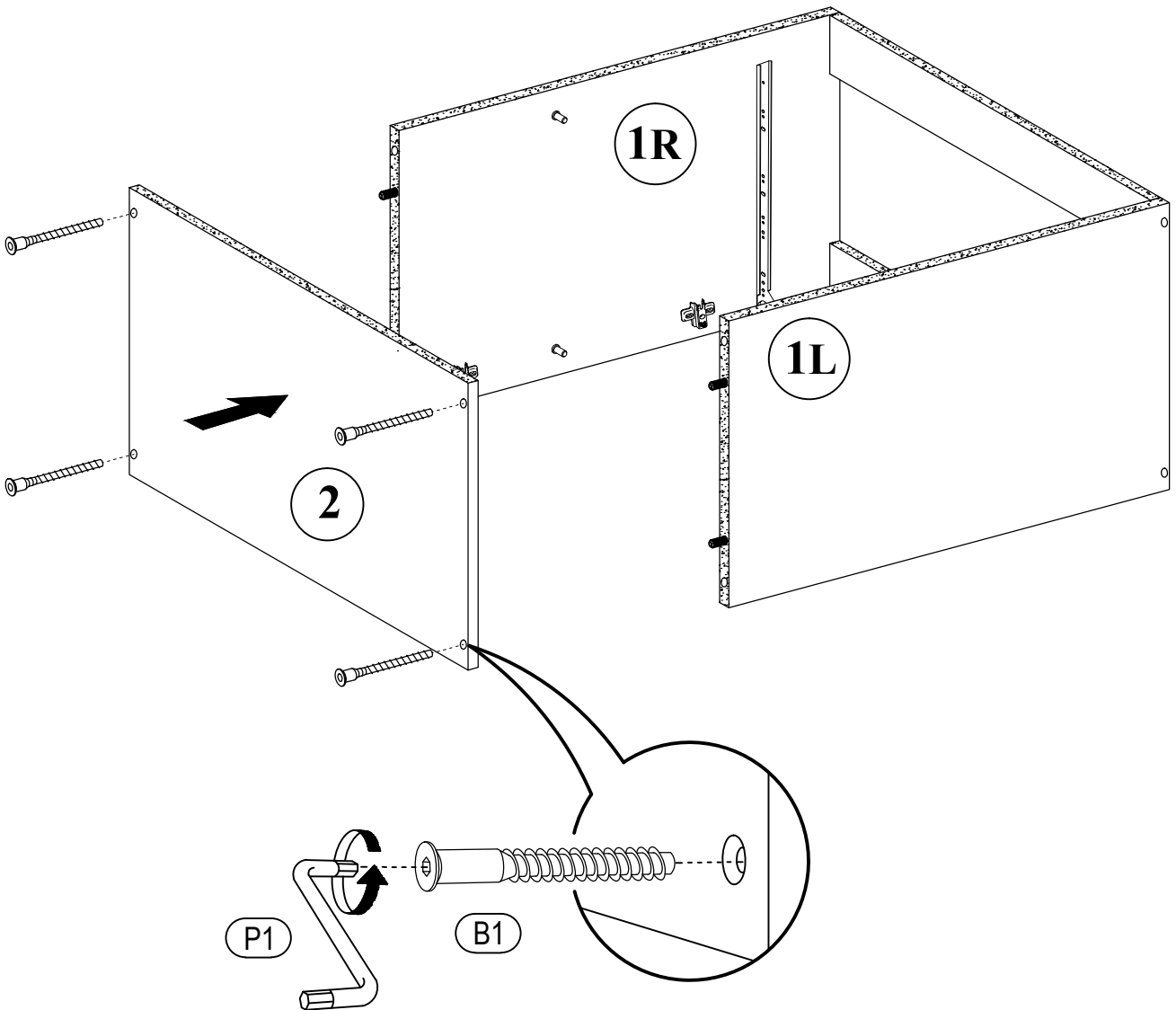
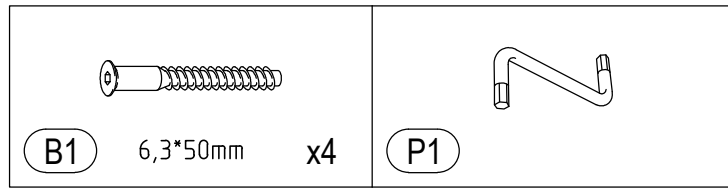
2





3

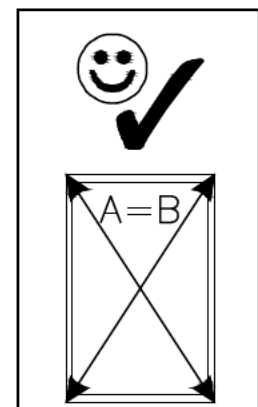
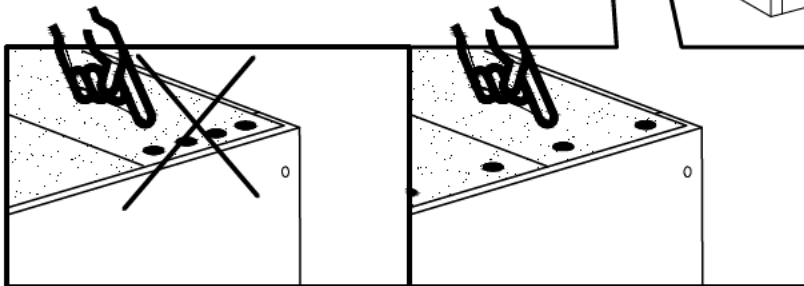
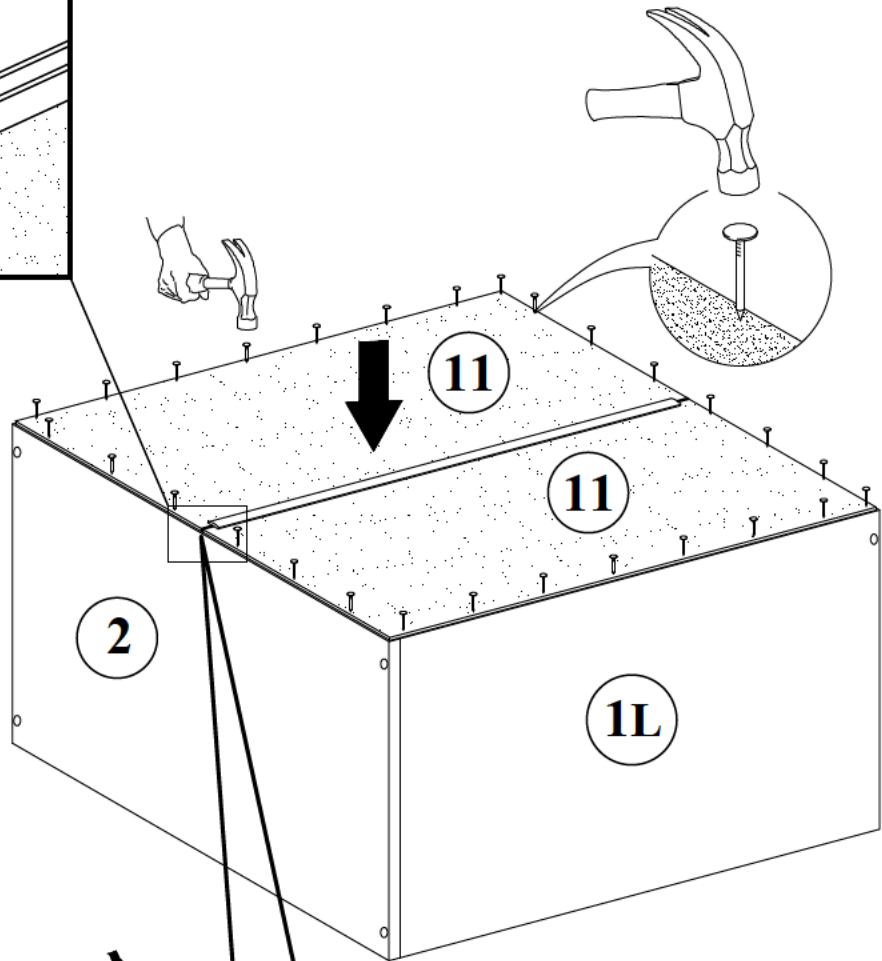
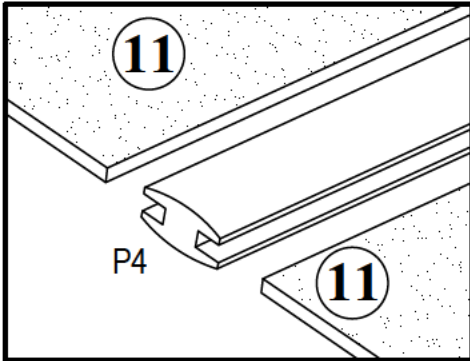


4

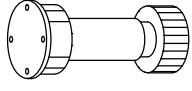
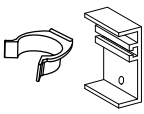
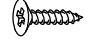


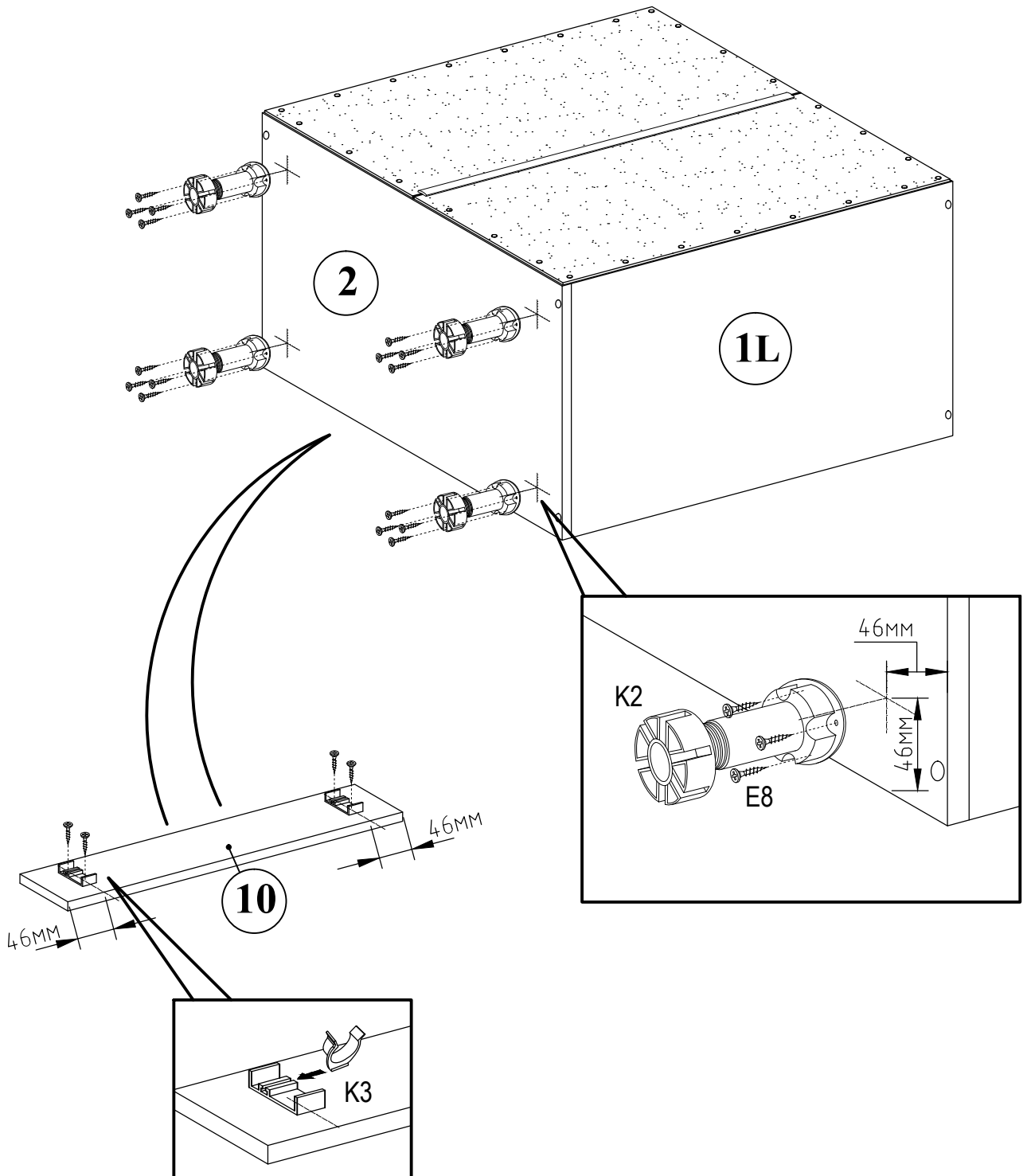
6

 (Q1) 1.4*25MM 0.02kg	 (P4) L-680 x1
---	---




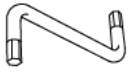


7

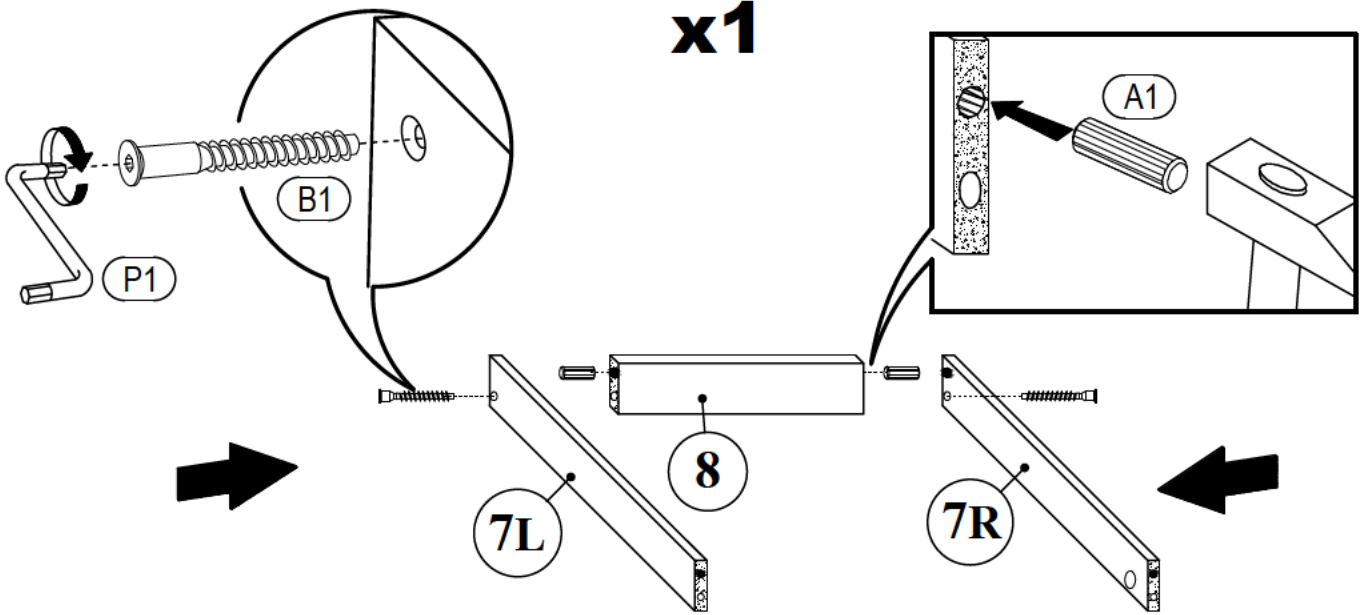
 K2 x4	 K3 x2	 E8 4*16mm x20
---	--	---



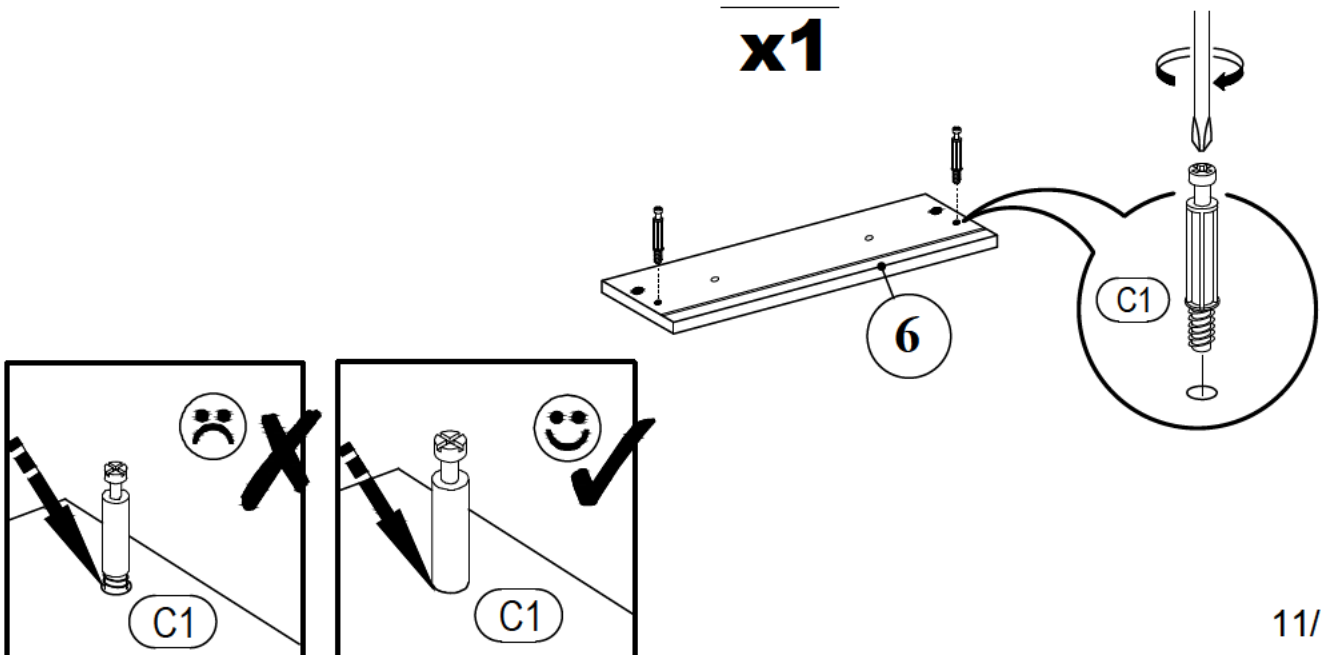
8

 (A1) 8*30mm x2	 (C1) 5*30mm x2	 (B1) 6,3*50mm x2
		 (P1)



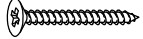


8.1 x1



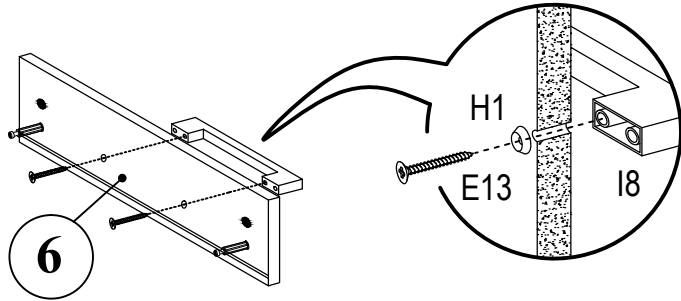
8.2 x1



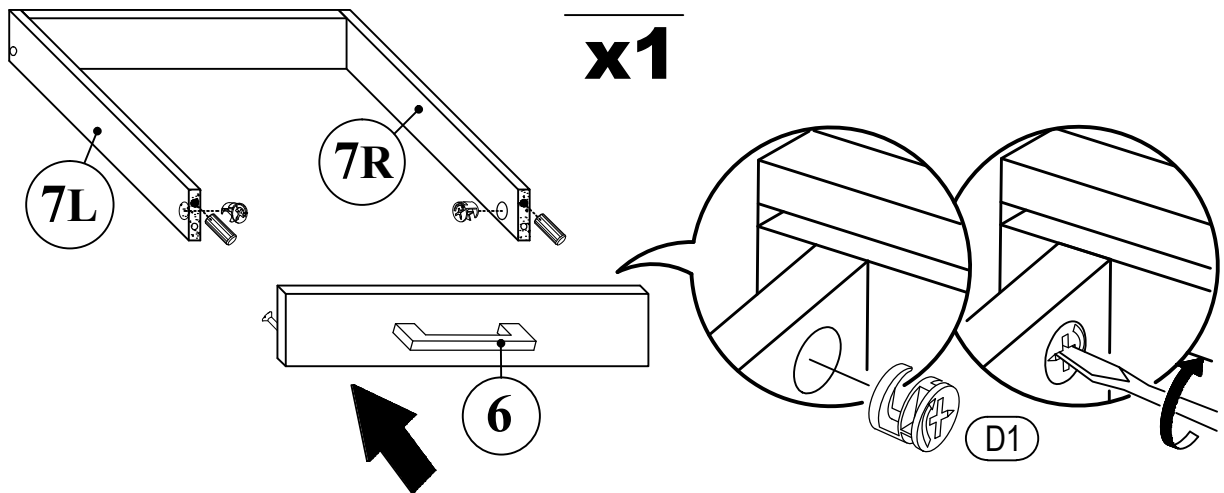
8

 A1 8*30mm x2	 D1 16mm x2	 E13 4*40mm x2
	 I8 x1	 H1 M 4 x2

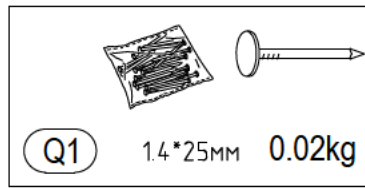
8.3 x1



8.4 x1

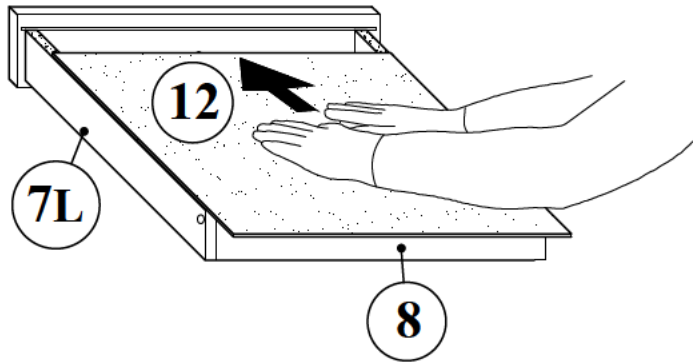
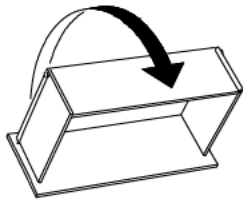


8



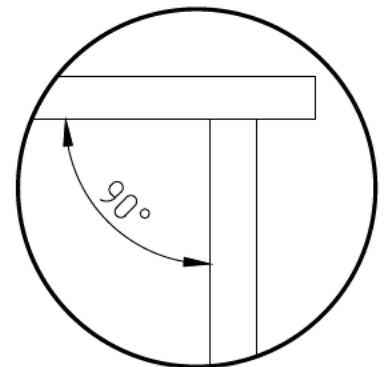
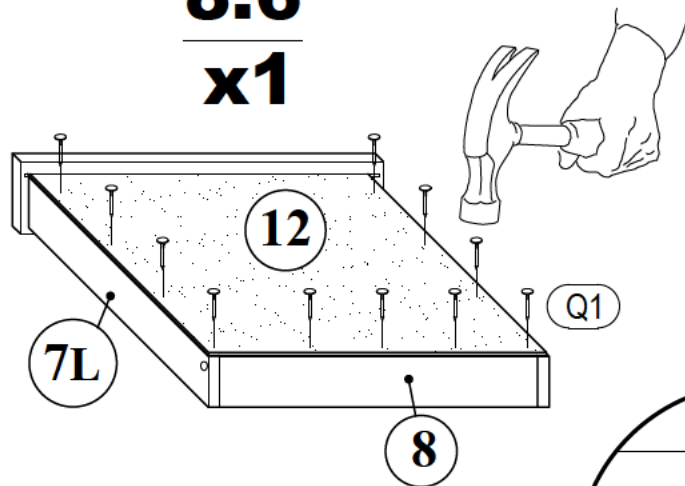
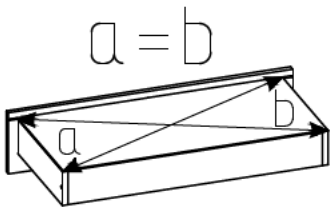
8.5

x1





8.6

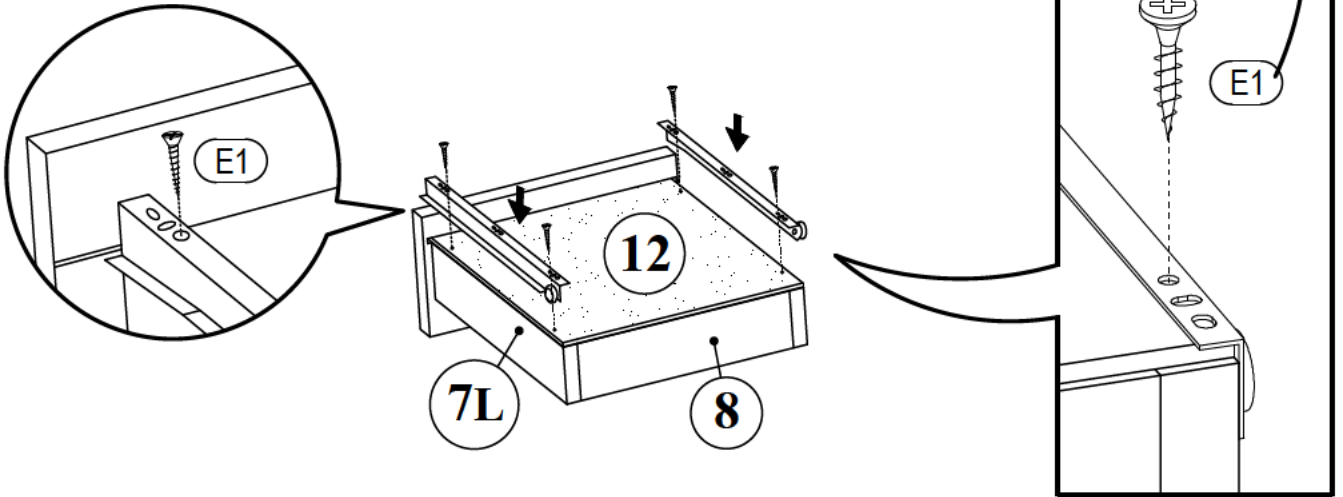
x1




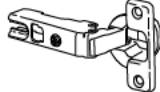
8

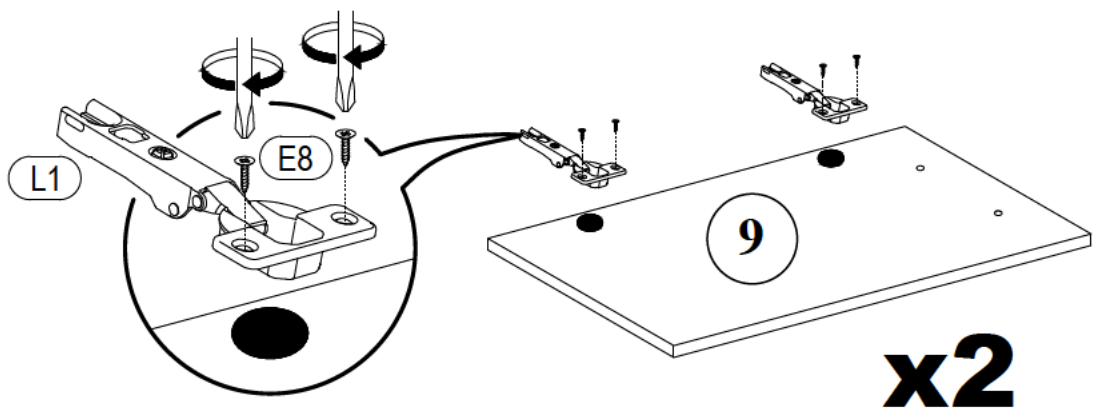
 (M1) L-450 x1	 (E1) 3*15mm x4
---	--

8.7 x1

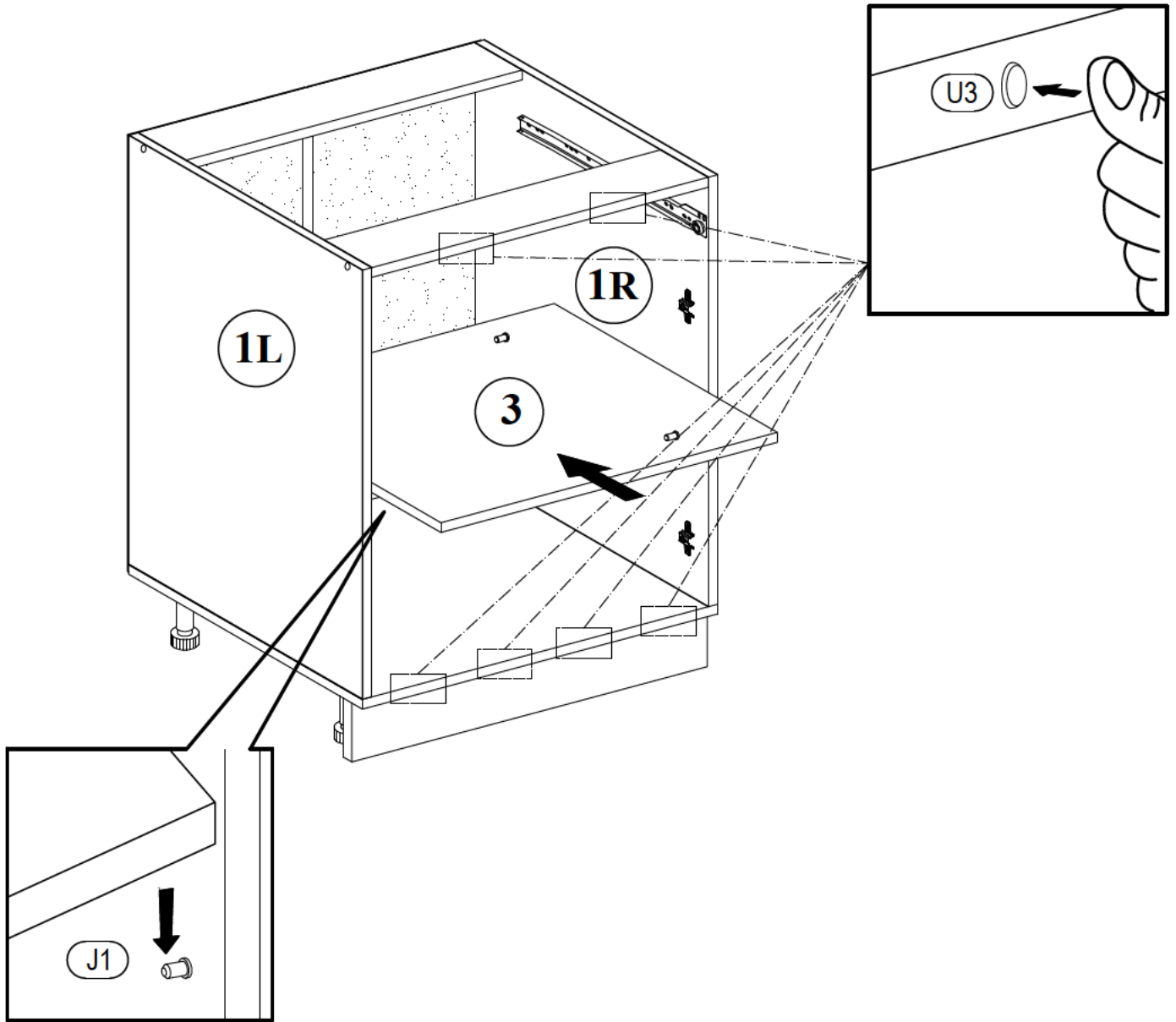
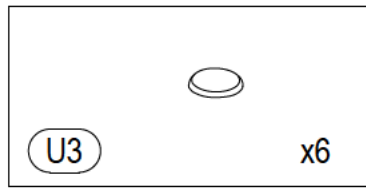


9

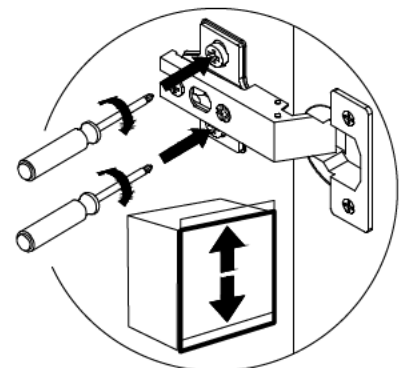
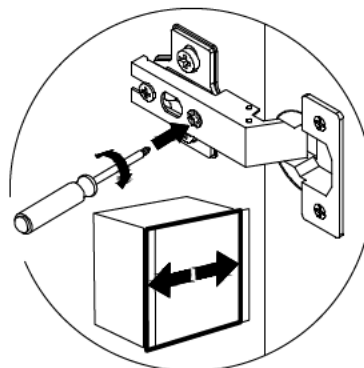
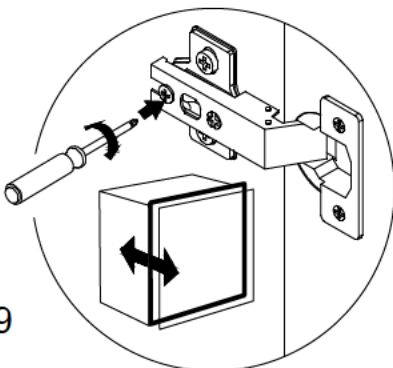
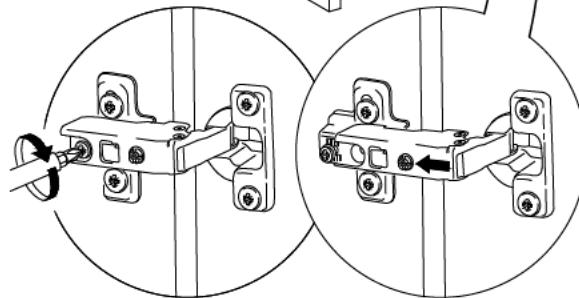
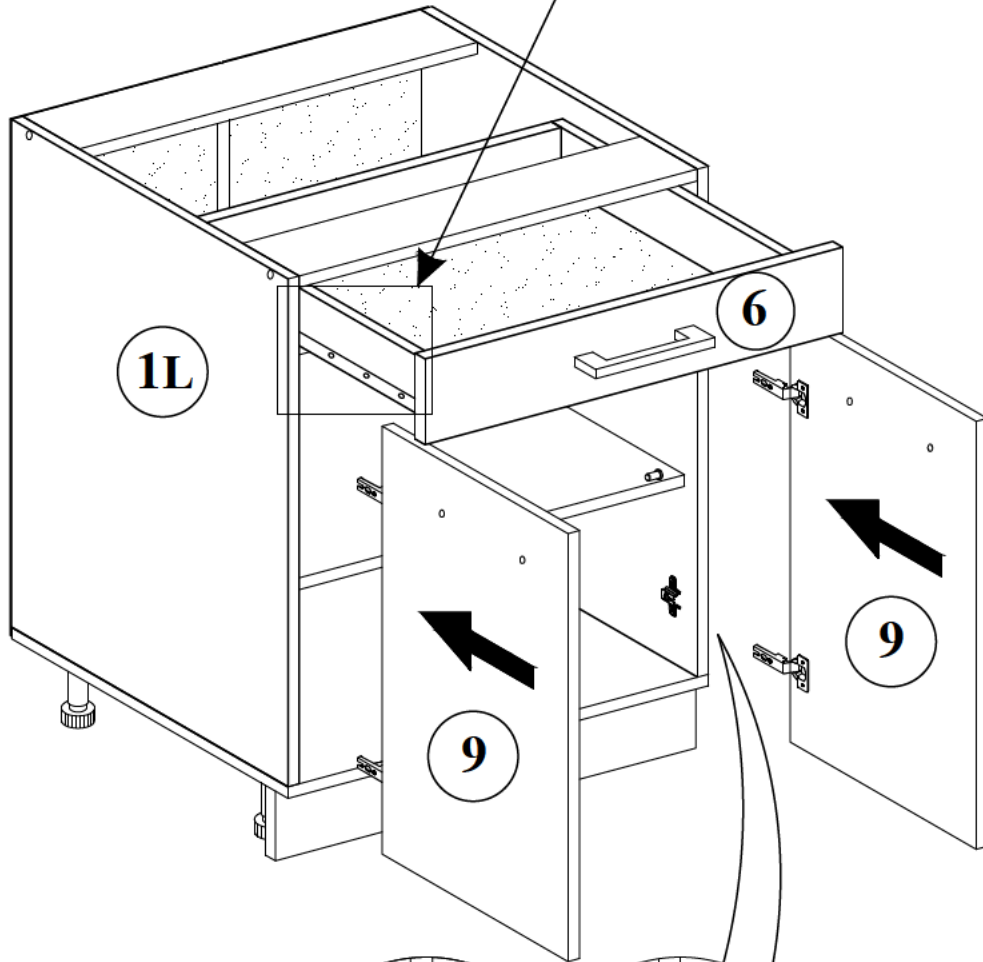
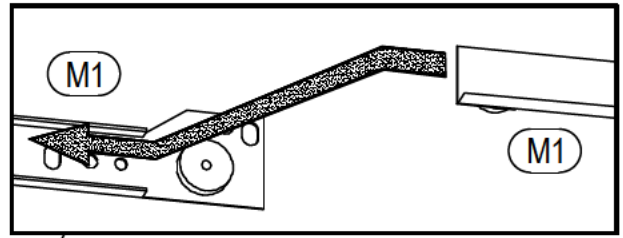
 (E8) 4*16mm x8	 (L1) x4
--	---








10

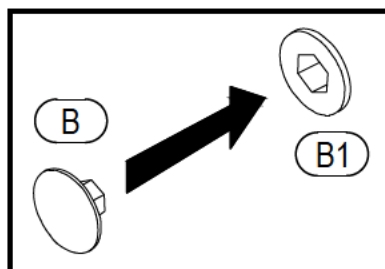
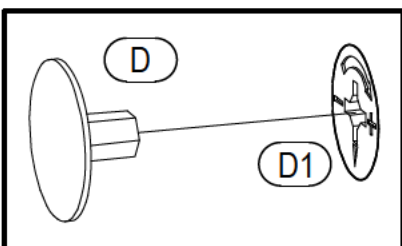
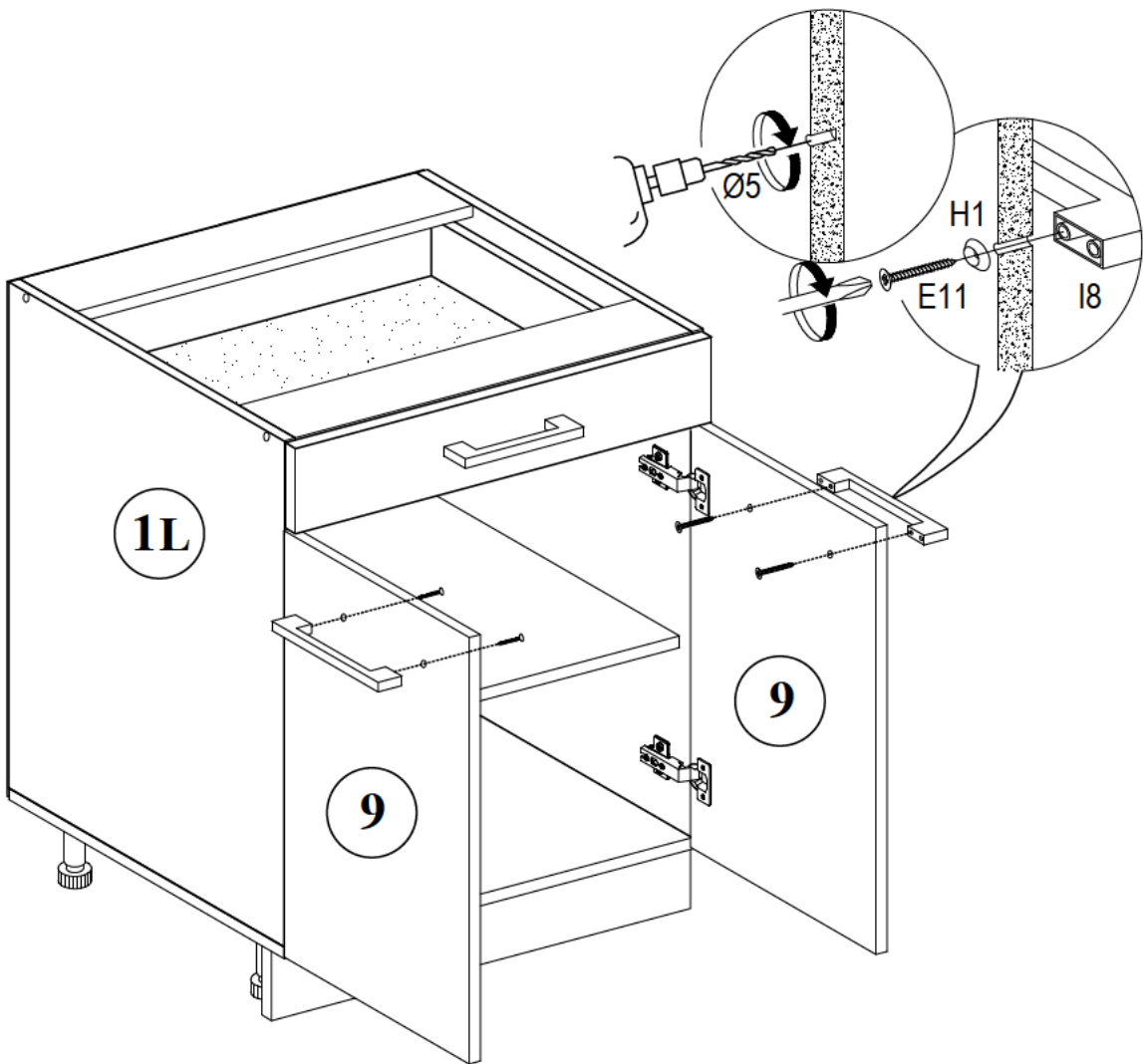


11



12

 E13 4*40mm x4	 I8 x2	 B x10
 D x2	 H1 M 4 x4	



13

